

---

# Replacement Parts Manual

# Package Air Conditioners

**Models: P1024A1  
P1030A1  
P1036A1**

---

## General Notes

- Revised and/or additional pages may be issued from time to time.
- A complete and current manual consists of pages shown in the following contents section.

## Important

- Contact the installing and/or local Bard distributor for all parts requirements. Make sure you have the complete model and serial number available from the unit rating plates.

## Contents

<u>Description</u>	<u>Page</u>
Cabinet Components	
• Exploded View .....	1
• Usage List .....	2
Functional Components	
• Exploded View .....	3
• Usage List .....	4
Control Panel	
• Exploded View .....	5
• Usage List .....	6

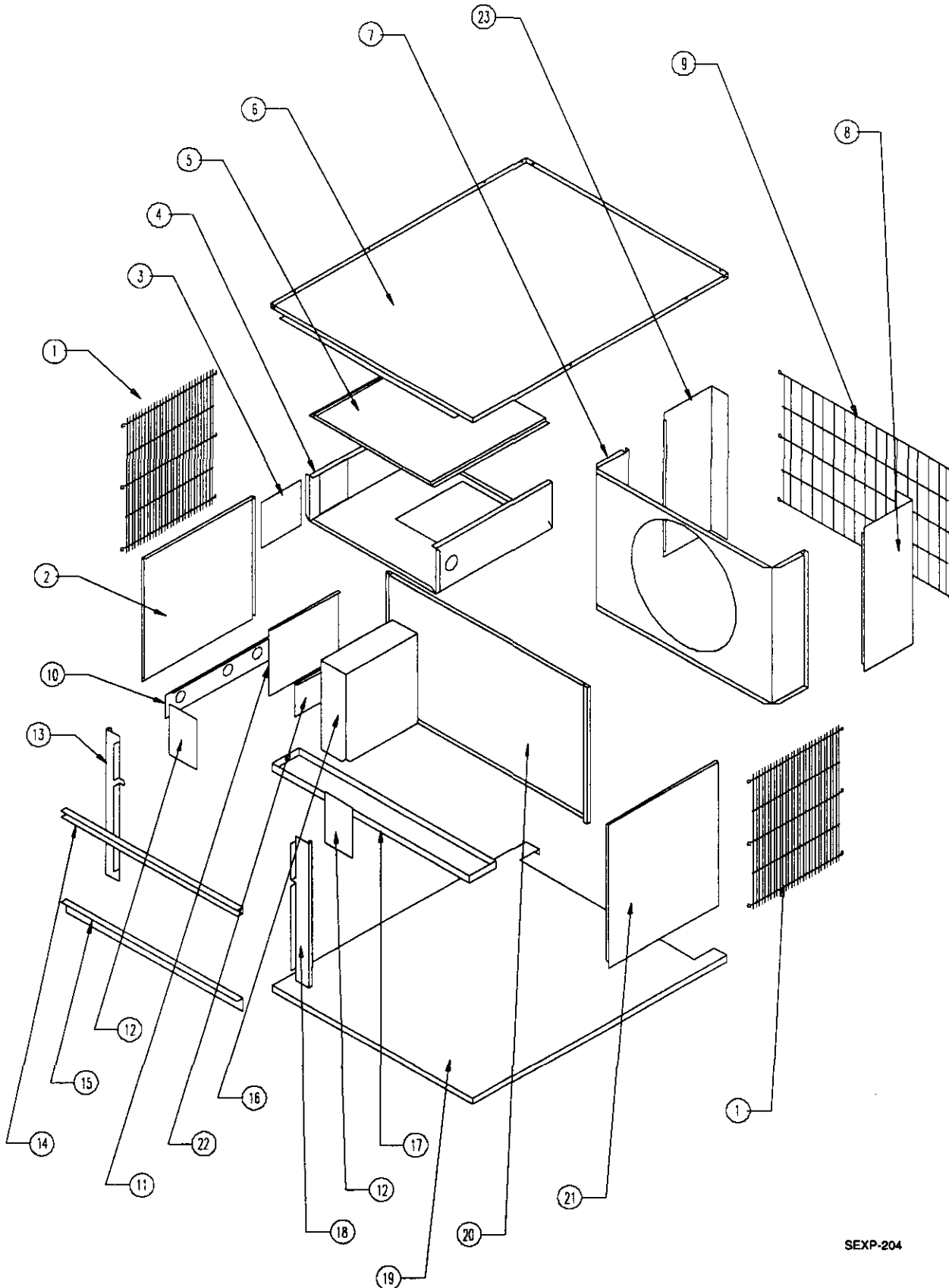


**BARD MANUFACTURING COMPANY**  
Bryan, Ohio 43506

*Since 1914...Moving, ahead just as planned.*

Manual: 2110-203D  
Rev: C  
Date: 11-10-97

# CABINET COMPONENTS

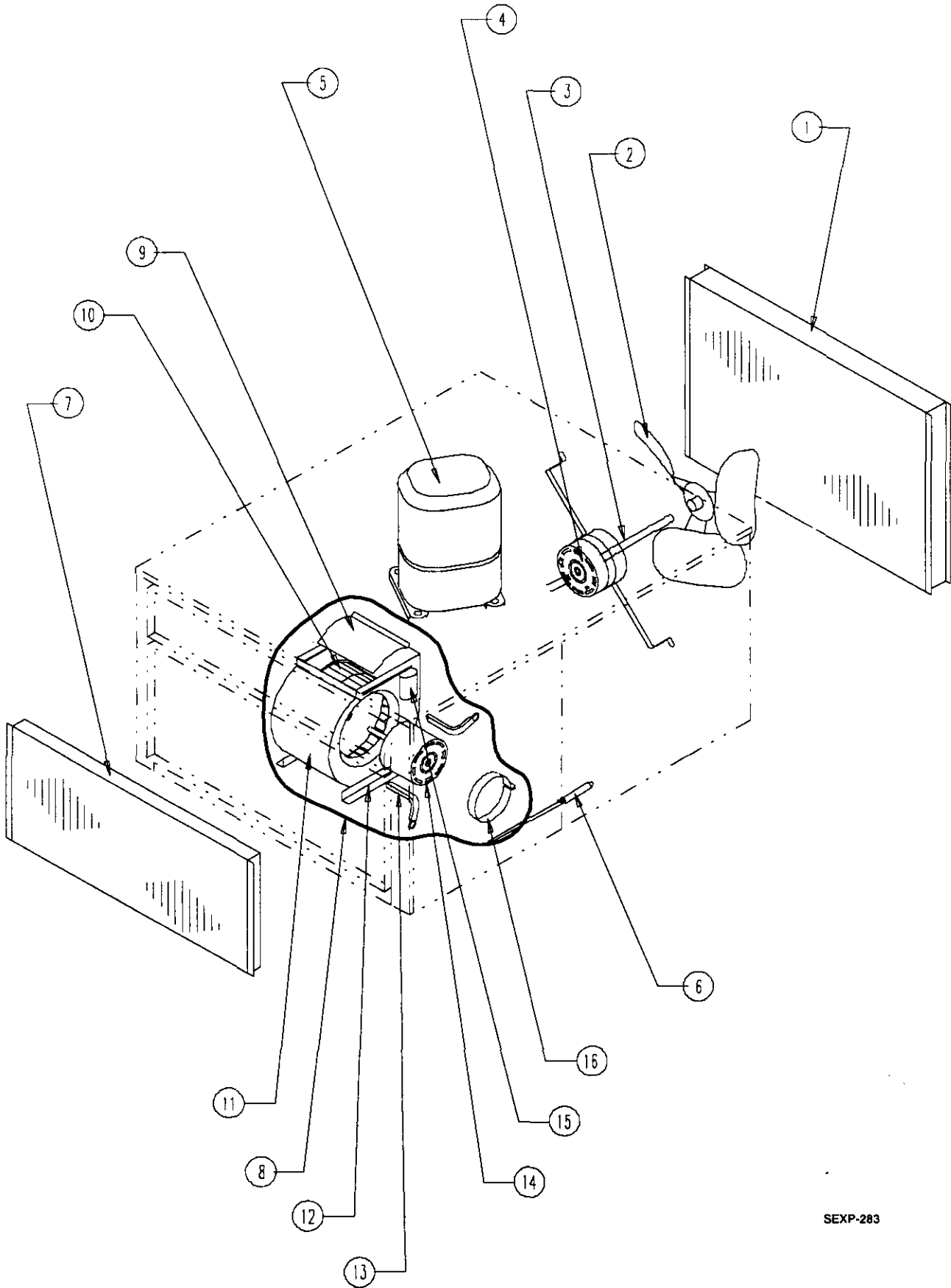


SEXP-204

# CABINET COMPONENTS

Drawing No.	Part No.	Description	P1024A1	P1030A1	P1036A1
1	7051-015	Inlet Grille	2	2	2
2	501-133-X	Left Side	X	X	X
3	142-017	Cover Plate – OKW	X	X	X
4	520-284	Blower Partition	X		
4	520-286	Blower Partition		X	X
5	134-017	Heat Strip	X	X	X
6	507-168-X	Top	X	X	X
7	125-012-X	Fan Shroud	X	X	X
8	149-085-X	Right Rear Corner	X	X	X
9	7051-001	Condenser Grille	X	X	X
10	557-028-X	Entrance Panel	X	X	X
11	133-035-X	Control Panel Cover	X	X	X
12	136-312	Blower Fill Plates	2	2	2
13	549-082-X	Left Front Cover	X	X	X
14	165-552-X	Plenum Channel	X	X	X
15	105-521-X	Plenum Angle	X	X	X
16	Control Panel Assembly	See Control Panel Drawing & Parts List	X	X	X
17	123-088-X	Drain Pan	X	X	X
18	549-081-X	Right Front Corner	X	X	X
19	527-255	Base	X	X	X
20	521-283-X	Compressor Partition	X	X	X
21	501-132-X	Right Side	X	X	X
22	142-016	Entrance Cover	X	X	X
23	149-086-X	Left Rear Corner	X	X	X

# FUNCTIONAL COMPONENTS

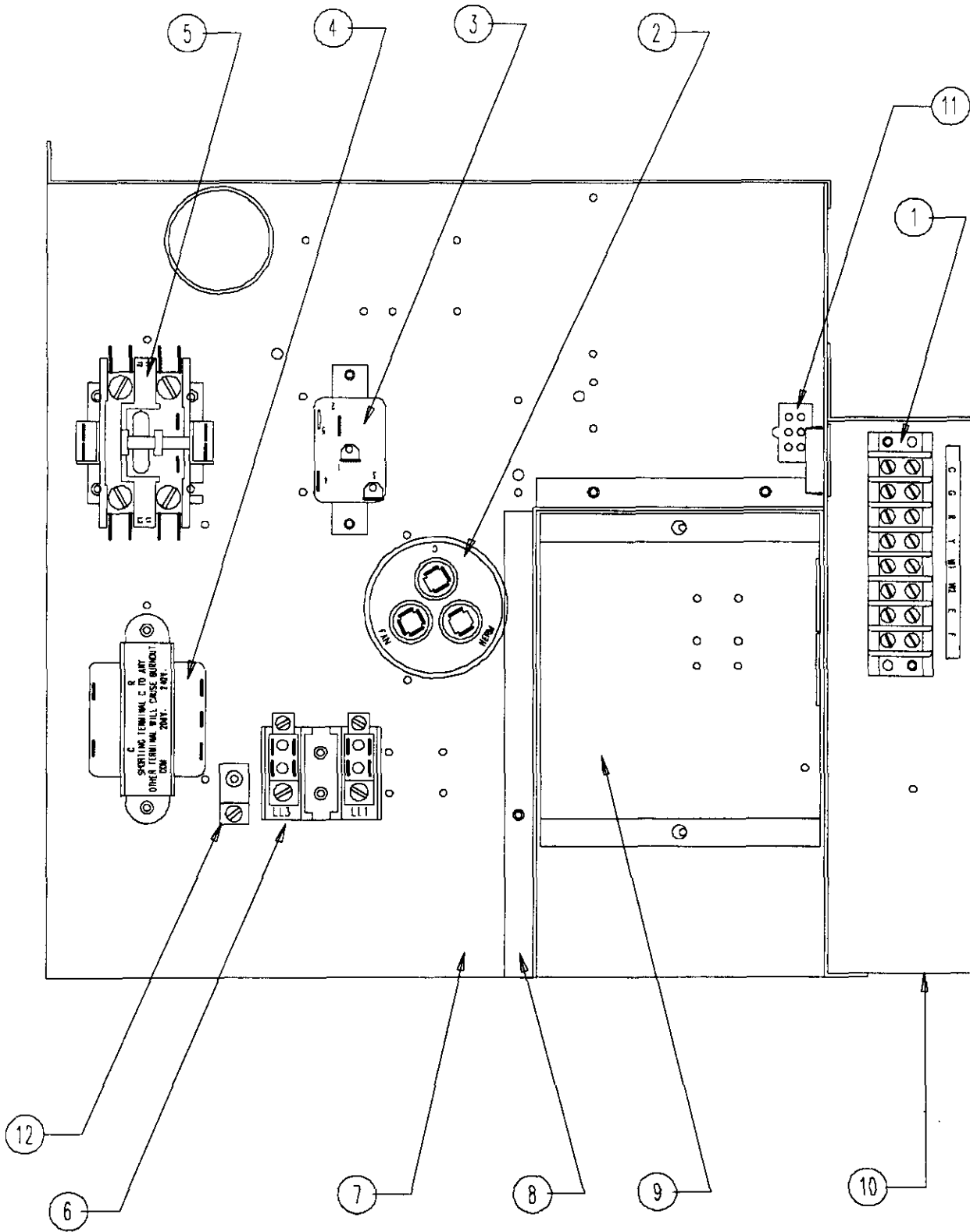


SEXP-283

# FUNCTIONAL COMPONENTS

Drawing No.	Part No.	Description	P1024A1	P1030A1	P1036A1
1	5051-035	Condenser Coil	X	X	
1	5051-050	Condenser Coil			X
2	5151-034	Fan Blade	X		
2	5151-004	Fan Blade		X	X
3	8200-001	Motor Mount	X	X	X
4	8103-016	Motor	X		
4	8103-019	Motor		X	X
5	8000-098	Compressor	X		
5	8000-099	Compressor		X	
5	8000-052	Compressor			X
6	800-0049	Capillary Tube Assembly		X	
6	800-0078	Capillary Tube Assembly	X		
6	800-0159	Capillary Tube Assembly			X
7	5060-037	Evaporator Coil	X	X	
7	5060-050	Evaporator Coil			X
8	900-146	Complete Blower Assembly	X		
8	900-133	Complete Blower Assembly			X
8	900-145	Complete Blower Assembly		X	
9	144-126	Diffuser	X	X	X
10	5152-013	Blower Wheel			X
10	5152-005	Blower Wheel		X	
10	5152-008	Blower Wheel	X		
11	151-088	Blower Housing	X		
11	151-068	Blower Housing		X	X
12	104-787	Blower Angles	X	X	X
13	8200-036	Motor Mount Arms	3		
13	8200-034	Motor Mount Arms		3	3
14	8105-032	Motor	X		
14	8105-024	Motor		X	X
15	8552-002	Capacitor 5/370	X	X	X
16	8200-033	Motor Mount Band	X	X	X

# CONTROL PANEL



SEXP-284

# CONTROL PANEL

Drawing			P1024A1	P1030A1	P1036A1
No.	Part No.	Description			
1	8607-006	Terminal Strip	X	X	X
2	8552-048	Capacitor 35/5 - 370		X	
2	8552-050	Capacitor 40/5 - 370			X
2	8552-046	Capacitor 25/5 - 370	X		
3	8201-008	Blower Relay	X	X	X
4	8407-034	Transformer	X	X	X
5	8401-007	Contactor	X	X	X
6	8407-013	Terminal Block	X	X	X
7	516-071	Control Panel	X	X	X
8	116-149	Control Panel Partition	X	X	X
9	116-150	Terminal Block Support	X	X	X
10	116X072	Low Voltage Box	X	X	X
11	3000-901	Wire Assembly		X	X
11	3000-948	Wire Assembly	X		
12	8611-006	Ground Terminal	X	X	X
NS	4063-119	Wiring Diagram		X	X
NS	4063-118	Wiring Diagram	X		

NS Not Shown

