

REPLACEMENT PARTS MANUAL

PACKAGE AIR CONDITIONERS MODEL P1045A1

Manual 2110-204

Revision A

Date 6-15-91

Supersedes 9-28-89

* GENERAL NOTES *

*Revised and/or additional pages may be issued from time to time.
*A complete and current manual consists of pages dated as shown in the following index.

** INDEX **

| <u>Page Description</u> | <u>Page</u> | <u>Date</u> | <u>Supersedes</u> |
|--------------------------------------|-------------|-------------|-------------------|
| Cabinet Components--Exploded View | 1 | 9-28-89 | |
| " " --Usage List | 2 | 9-28-89 | |
| Functional Components--Exploded View | 3 | 9-28-89 | |
| " " --Usage List | 4 | 6-15-91 | 9-28-89 |
| Control Panel--Layout | 5 | 9-28-89 | |
| " " --Usage List | 6 | 9-28-89 | |

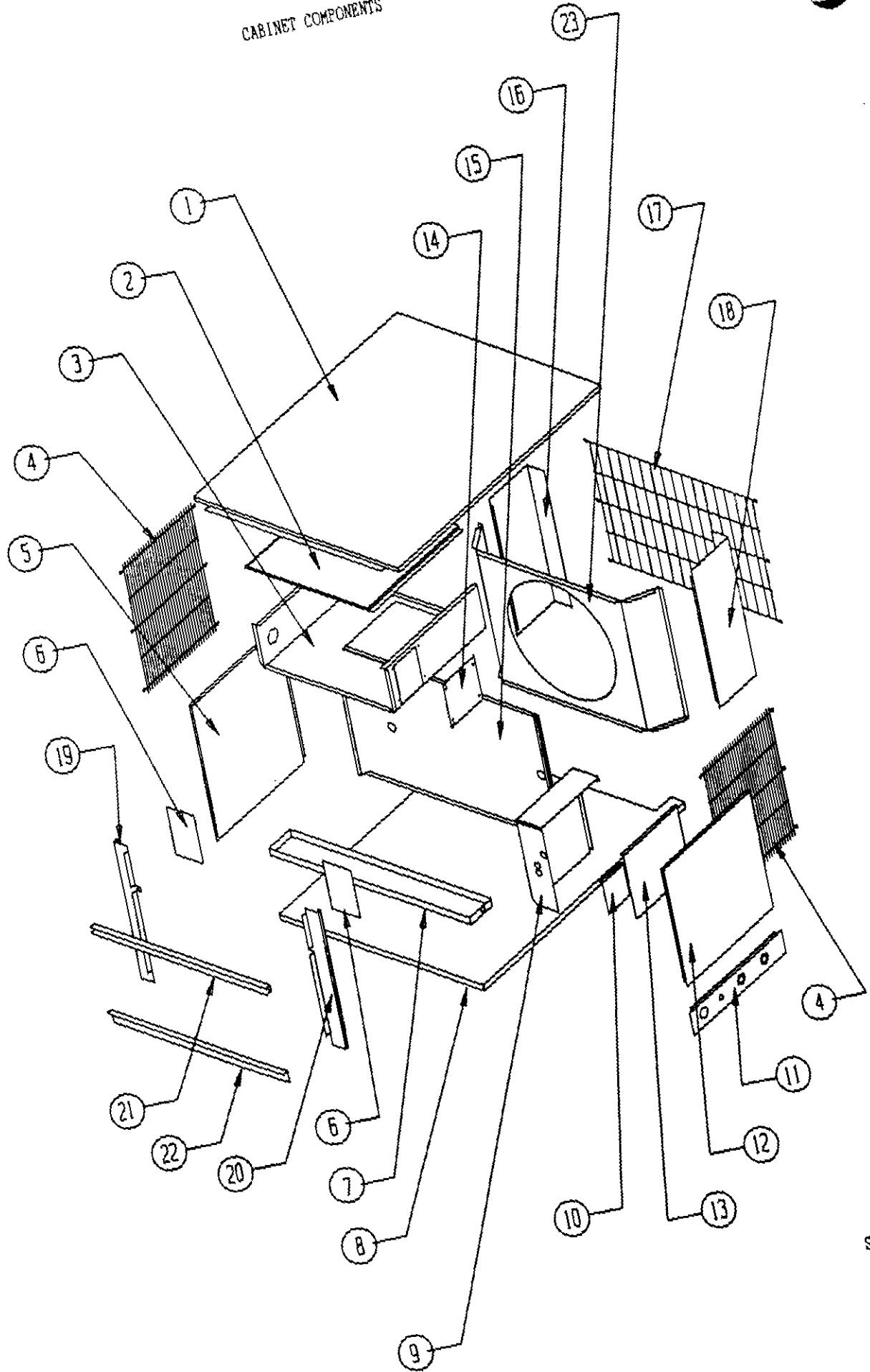
*** IMPORTANT ***

Contact the installing and/or local Bard distributor for all parts requirements. Make sure you have the complete model and serial number available from the unit rating plate.

BARD MANUFACTURING COMPANY

BRYAN, OHIO 43506

CABINET COMPONENTS

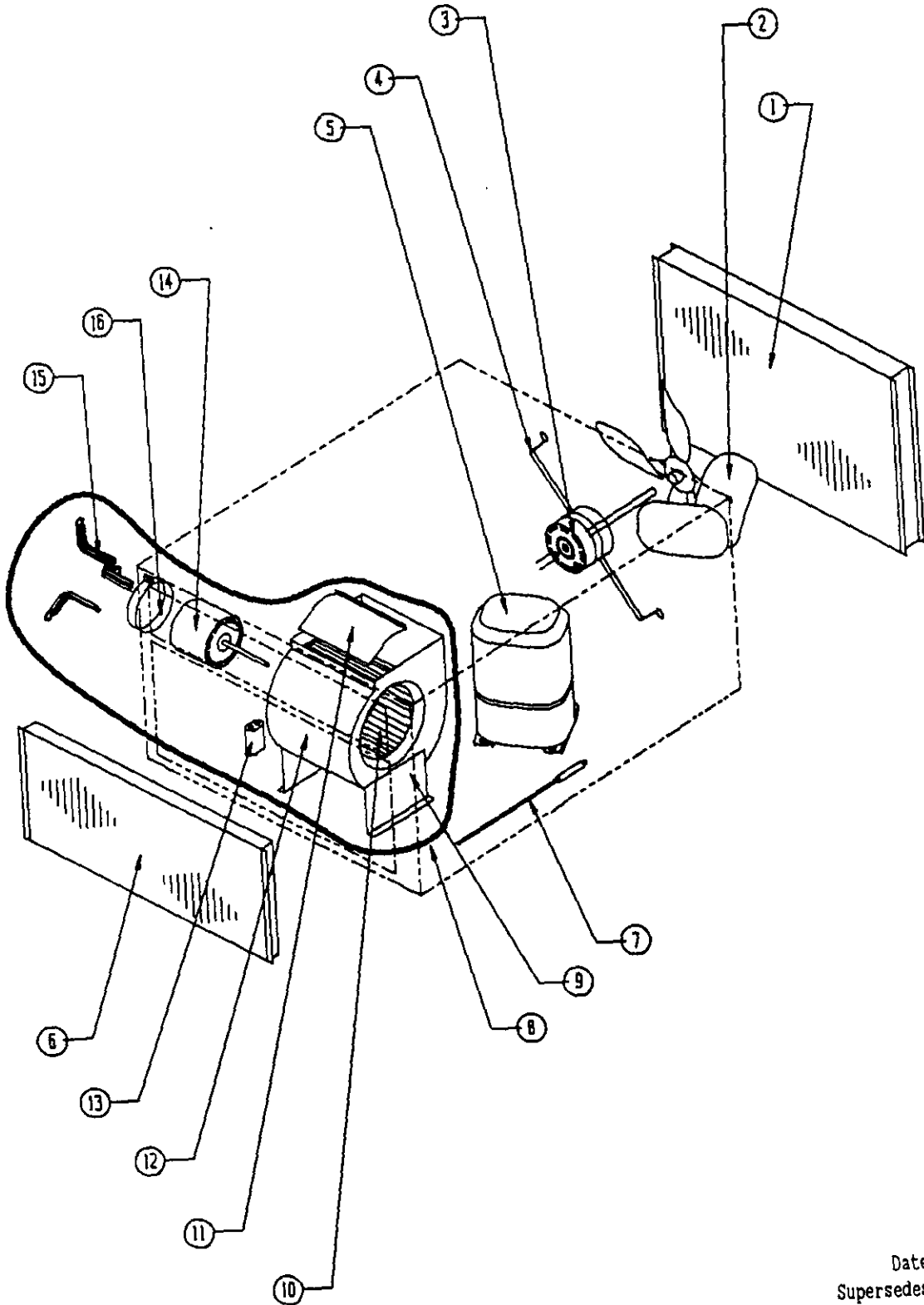


CABINET COMPONENTS

| Item | Part No. | Description | U S A G E |
|------|---------------|--|-----------------------|
| 1 | 506-012 | Top | X |
| 2 | 134-021 | Heat Strip Shield | X |
| 3 | 520-067 | Blower Partition | X |
| 4 | 7051-007 | Side Grille | 2 |
| 5 | 500-144 | Left Side | X |
| 6 | 136-011 | Side Fills | 2 |
| 7 | 123-048 | Drain Pan | X |
| 8 | 527-012 | Base | X |
| 9 | Control Panel | See control panel drawing and parts list | X |
| 10 | 142-016 | Entrance Cover Plate | X |
| 11 | 556-015 | Entrance Panel | X |
| 12 | 500-020 | Right Side | X |
| 13 | 132-035 | Control Panel Cover | X |
| 14 | 142-017 | OKW Cover Plate | X |
| 15 | 520-069 | Compressor Partition | X |
| 16 | 149-053 | Left Rear Corner | X |
| 17 | 7051-005 | Condenser Grille | X |
| 18 | 149-052 | Right Rear Corner | X |
| 19 | 549-050 | Left Front Corner | X |
| 20 | 549-016 | Right Front Corner | X |
| 21 | 164-502 | Plenum Channel | X |
| 22 | 104-525 | Plenum Angle | X |
| 23 | 124-010 | Fan Shroud | X |

Date: 9-28-89
Supersedes:

FUNCTIONAL COMPONENTS



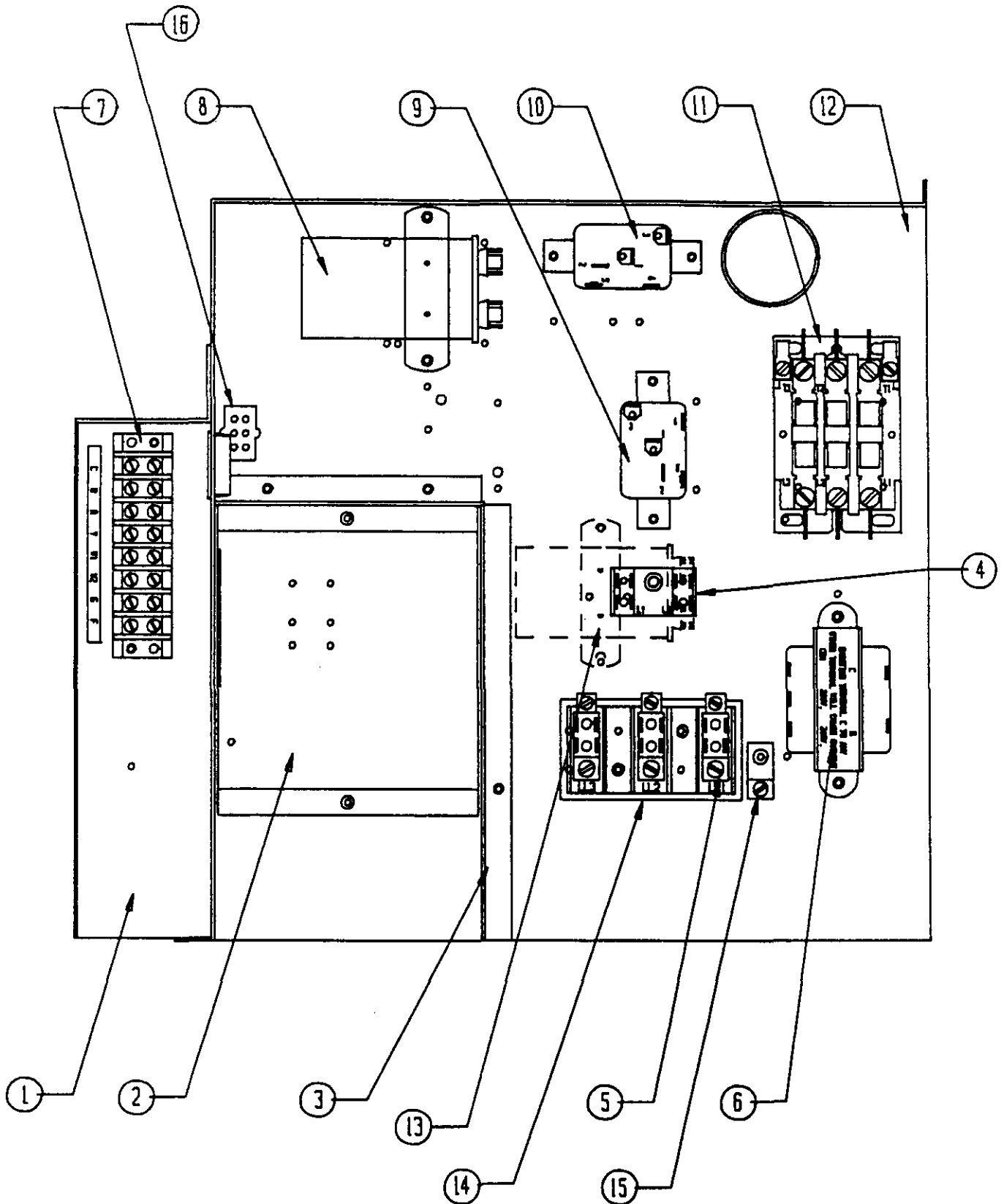
Date: 9-28-89
Supersedes:

FUNCTIONAL COMPONENTS

| Dwg. No. | Part No. | Description | P 1 0 4 5 A 1 |
|----------|----------|--------------------------|---------------------------------|
| 1 | 5051-051 | Condenser Coil | X |
| 2 | 5151-029 | Fan Blade | X |
| 3 | 8105-035 | Motor | X |
| 4 | 8200-004 | Fan Motor Mount | X |
| 5 | 8000-058 | Compressor | X |
| 6 | 5060-051 | Evaporator Coil | X |
| 7 | 800-0091 | Capillary Tube Assembly | X |
| 8 | 900-139 | Complete Blower Assembly | X |
| 9 | 104-795 | Blower Leg | 2 |
| 10 | 5152-015 | Blower Wheel | X |
| 11 | 144-130 | Blower Diffuser | X |
| 12 | 151-097 | Blower Housing | X |
| 13 | 8552-005 | Capacitor 10/370 | X |
| 14 | 8106-015 | Motor | X |
| 15 | 8200-034 | Motor Mount Arm | 3 |
| 16 | 8200-033 | Motor Mount Band | X |

Date: 6-15-91
Supersedes: 9-28-89

CONTROL PANEL



Date: 9-28-89
Supersedes:

CONTROL PANEL

| Dwg. No. | Part No. | Description | P 1 0 4 5 A 1 |
|----------|----------|-------------------------|---------------------------------|
| 1 | 116Y072 | Low Voltage Box | X |
| 2 | 134-095 | Terminal Block Shield | X |
| 3 | 116Y076 | Control Panel Partition | X |
| 4 | --- | | |
| 5 | 8607-013 | Terminal Block | X |
| 6 | 8407-034 | Transformer | X |
| 7 | 8607-006 | Terminal Strip | X |
| 8 | 8552-028 | Capacitor 35/440 | X |
| 9 | 8201-008 | Blower Relay | X |
| 10 | --- | | |
| 11 | 8401-007 | Contactor | X |
| 12 | 516-079 | Control Panel | X |
| 13 | 8552-005 | Capacitor 10/370 | X |
| 14 | --- | | |
| 15 | 8611-006 | Ground Terminal | X |
| 16 | 3000-901 | Wire Assembly | X |
| | 4064-113 | Wiring Diagram | X |

Date: 9-28-89
Supersedes:

