

REPLACEMENT PARTS MANUAL

PACKAGE AIR CONDITIONERS MODEL RPMA42, RPMA48, RPMA60

Manual 2110-206 Revision -- Date 10-11-89 Supersedes

* GENERAL NOTES *

*Revised and/or additional pages may be issued from time to time.
*A complete and current manual consists of pages dated as shown in the following index.

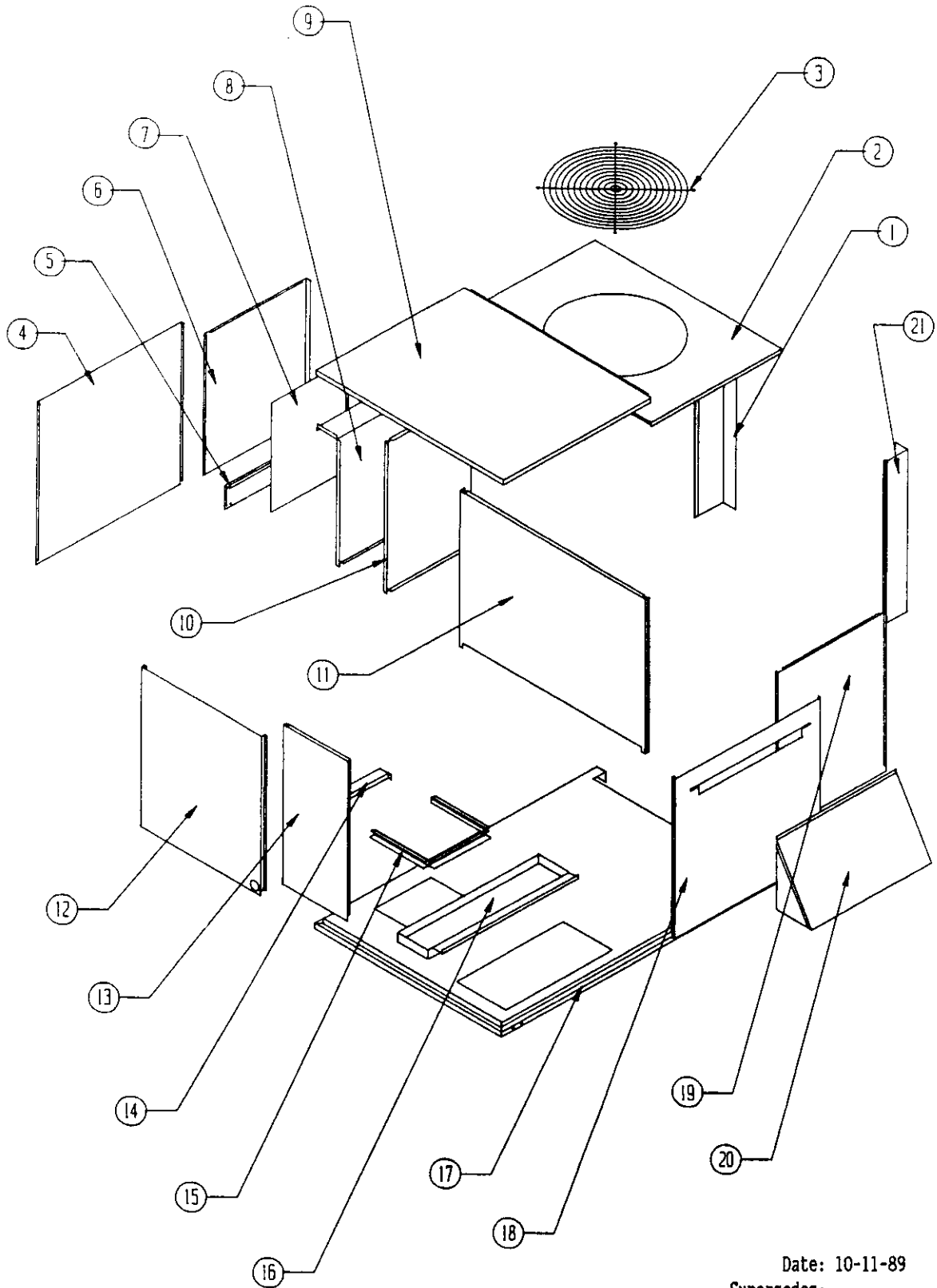
** INDEX **

<u>Page Description</u>	<u>Page</u>	<u>Date</u>	<u>Supersedes</u>
Cabinet Components--Exploded View	1	10-11-89	
" " --Usage List	2	10-11-89	
Functional Components--Exploded View	3	10-11-89	
" " --Usage List	4	10-11-89	
Control Panel--Layout	5	10-11-89	
" " --Usage List	6	10-11-89	

*** IMPORTANT ***

Contact the installing and/or local Bard distributor for all parts requirements. Make sure you have the complete model and serial number available from the unit rating plate.

CABINET COMPONENTS



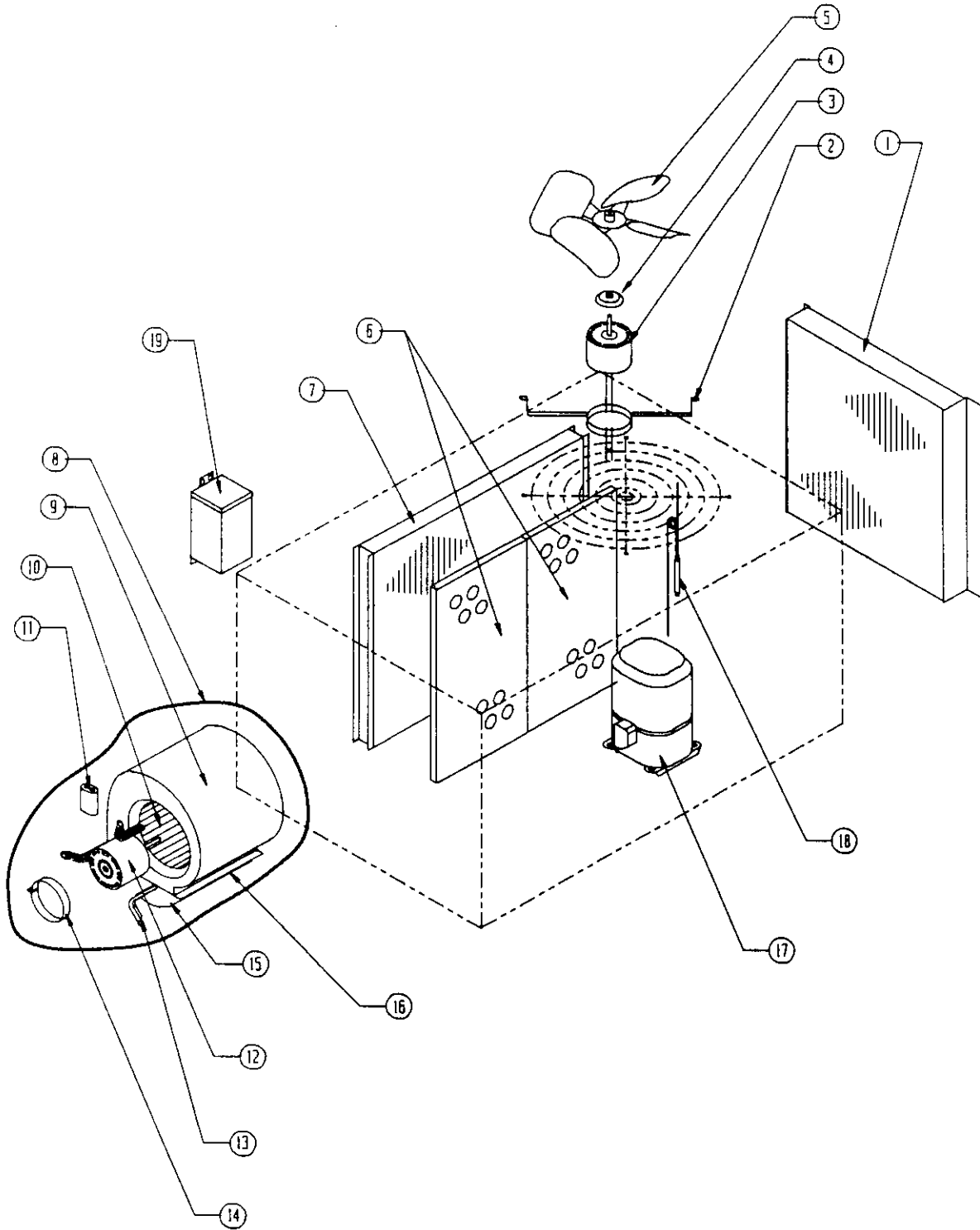
Date: 10-11-89
Supersedes:

CABINET COMPONENTS

Item	Part No.	Description	U S A G E
1	148-049	Left Rear Corner	X
2	107-080	Top--Condenser Section	X
3	7051-017	Fan Guard	X
4	552-101	Service Door	X
5	156-017	Entrance Panel	X
6	132-048	Control Panel Cover--Outside	X
7	132-052	Control Panel Cover--Inside	X
8	Cntrl Pnl Assembly	See Control Panel Drawing and Parts List	X
9	507-081	Top--Evaporator Section	X
10	134-055	Rain Shield	X
11	521-080	Partition	X
12	515-040	Front	X
13	553-099	Filter Door	X
14	144-084	Blower Slide End	X
15	144-083	Blower Slide	X
16	123-047	Drain Pan	X
17	527-102	Base	X
18	500-141	Right Side	X
19	152-098	Condenser Service Door	X
20	962007	FAD15 Fresh Air Damper	X
21	148-048	Right Rear Corner	X

Date: 10-11-89
Supersedes:

FUNCTIONAL COMPONENTS



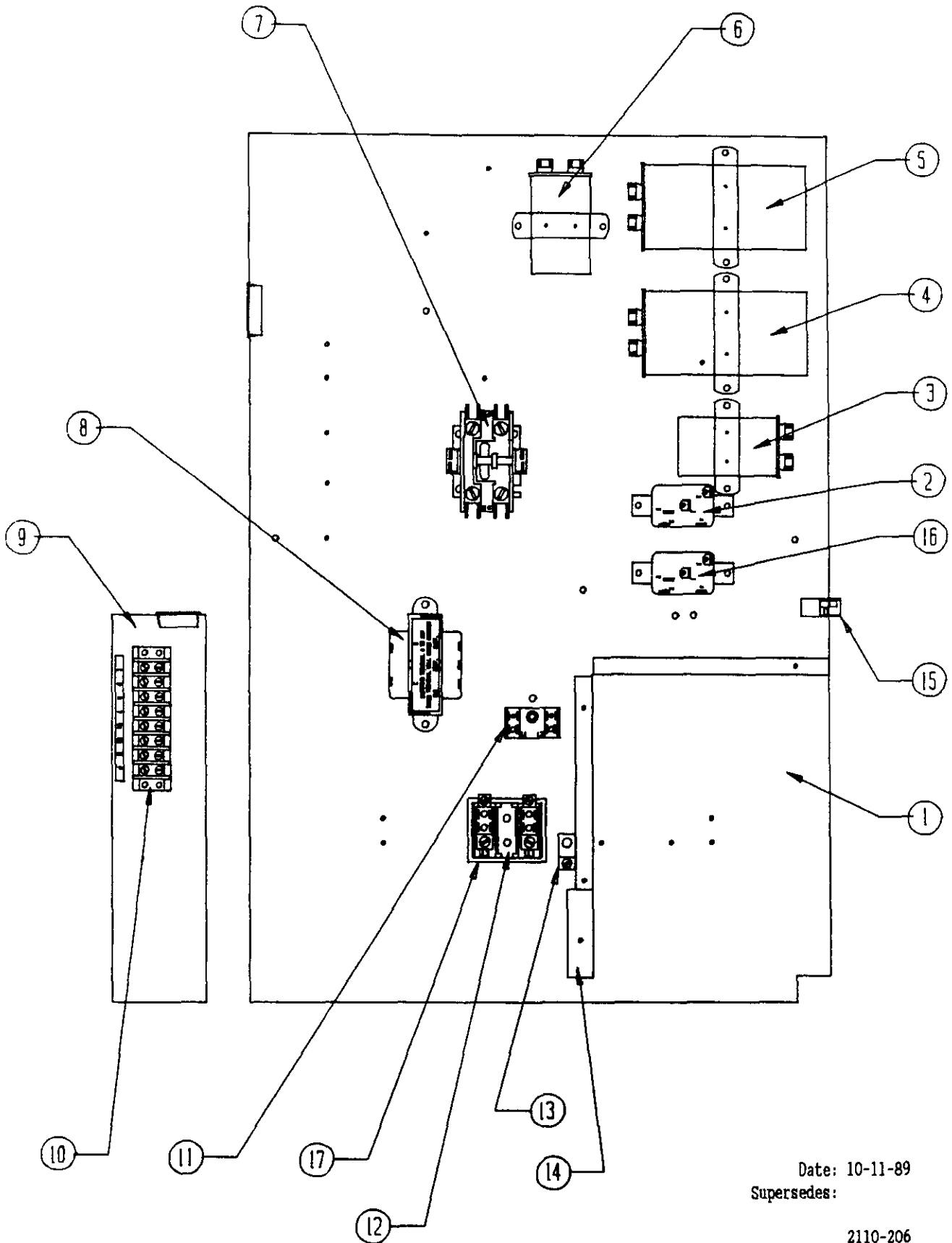
Date: 10-11-89
Supersedes:

FUNCTIONAL COMPONENTS

Dwg. No.	Part No.	Description	R	R	R	R	R	R	R	R	R
			P	P	P	P	P	P	P	P	P
			M	M	M	M	M	M	M	M	M
			A	A	A	A	A	A	A	A	A
			4	4	4	4	4	4	6	6	6
			2	2	2	8	8	8	0	0	0
				B	C		B	C		B	C
1	5051-027	Condenser Coil	X	X	X	X	X	X	X	X	X
2	8200-027	Motor Mount	X	X	X	X	X	X	X	X	X
3	8106-021	Motor	X	X	X	X	X	X	X	X	X
4	5153-022	Rain Shield	X	X	X	X	X	X	X	X	X
5	5151-026	Fan Blade	X	X	X	X	X	X	X	X	X
6	7004-014	Filter 16x30x1	2	2	2	2	2	2	2	2	2
7	5060-030	Evaporator Coil	X	X	X						
7	5060-029	Evaporator Coil				X	X	X			
7	5060-038	Evaporator Coil							X	X	X
8	900-129	Complete Blower Assembly	X	X	X	X	X	X			
8	900-148	Complete Blower Assembly							X	X	X
9	151-079	Blower Housing	X	X	X	X	X	X			
9	151-086	Blower Housing							X	X	X
10	5152-014	Blower Wheel	X	X	X	X	X	X			
10	5152-049	Blower Wheel							X	X	X
11	8552-004	Capacitor 7-1/2 / 370	X	X	X	X	X	X			
12	8106-017	Motor	X	X	X	X	X	X			
12	8106-020	Motor							X	X	X
13	8200-034	Motor Mount Arm	3	3	3	3	3	3	3	3	3
14	8200-033	Motor Mount Band	X	X	X	X	X	X	X	X	X
15	144-128	Diffuser	X	X	X	X	X	X			
15	144-129	Diffuser							X	X	X
16	104-801	Blower Angle	X	X	X	X	X	X			
17	8000-058	Compressor	X								
17	8000-059	Compressor		X							
17	8000-060	Compressor			X						
17	8000-081	Compressor				X					
17	8000-082	Compressor					X				
17	8000-083	Compressor						X			
17	8000-074	Compressor							X		
17	8000-075	Compressor								X	
17	8000-049	Compressor									X
18	800-0012	Capillary Tube Assembly	X	X	X						
18	800-0013	Capillary Tube Assembly				X	X	X			
18	800-0014	Capillary Tube Assembly							X	X	X
19	8407-004	Transformer 460V			X			X			X

Date: 10-11-89
Supersedes:

CONTROL PANEL



Date: 10-11-89
Supersedes:

CONTROL PANEL

Dwg. No.	Part No.	Description	R	R	R	R	R	R	R	R	R	R
			P	P	P	P	P	P	P	P	P	P
			A	A	A	A	A	A	A	A	A	A
			4	4	4	4	4	4	4	6	6	6
			2	2	2	8	8	8	0	0	0	0
				B	C		B	C		B	C	
1	116-087	Control Panel	X	X	X	X	X	X	X	X	X	X
2	8201-008	Blower Relay	X	X	X	X	X	X	X	X	X	X
3	8552-026	Capacitor 15/370							X			X
4	8552-026	Capacitor 15/370		X				X			X	
4	8552-043	Capacitor 45/370							X			
5	8552-028	Capacitor 35/440	X									
5	8552-030	Capacitor 40/440				X						
5	8552-043	Capacitor 45/370							X			
6	8552-026	Capacitor 15/370	X		X	X		X	X	X	X	X
7	8401-007	Contacto	X									
7	8401-002	Contacto		X	X		X	X				X
7	8401-003	Contacto				X						
7	8401-016	Contacto							X			
7	8401-011	Contacto								X		
8	8407-034	Transformer	X	X	X	X	X	X	X	X	X	X
9	116-086	Low Voltage Box	X	X	X	X	X	X	X	X	X	X
10	8607-006	Terminal Strip	X	X	X	X	X	X	X	X	X	X
11	8607-017	Terminal Block			X			X				X
12	8607-013	Terminal Block	X			X			X			
12	8607-014	Terminal Block		X	X		X	X		X	X	
13	8611-006	Ground Terminal	X	X	X	X	X	X	X	X	X	X
14	116-085	Partition	X	X	X	X	X	X	X	X	X	X
15	3000-906	Wire Assembly	X	X	X	X	X	X	X	X	X	X
16	8201-008	Blower Relay			X			X				X
17	8607-015	Phenolic Insulator			X			X				X
	4075-110	Wiring Diagram	X									
	4075-120	Wiring Diagram				X						
	4075-130	Wiring Diagram							X			
	4075-210	Wiring Diagram		X								
	4075-220	Wiring Diagram					X					
	4075-230	Wiring Diagram								X		
	4075-310	Wiring Diagram			X							
	4075-320	Wiring Diagram						X				
	4075-330	Wiring Diagram										X

Date: 10-11-89
Supersedes:

