



REPLACEMENT PARTS MANUAL SPLIT HEAT PUMPS

MODELS: P1124A1, P1130A1, P1136A1

GENERAL NOTES

- * Revised and/or additional pages may be issued from time to time.
- * A complete and current manual consists of pages dated as shown in the following index.

INDEX

PAGE DESCRIPTION	PAGE	DATE	SUPERSEDES
Cabinet Components—Exploded View	1	03-27-95	01-18-91
Cabinet Components—Usage List	2	03-27-95	01-18-91
Functional Components—Exploded View	3	01-18-91	
Functional Components—Usage List	4	03-27-95	09-07-94
Control Panel—Layout	5	06-10-95	01-18-91
Control Panel—Usage List	6	06-10-95	03-27-95
Control Panel—P1136-B, P1136-C—Layout	7	06-10-95	04-20-95
Control Panel—P1136-B, P1136-C—Usage List	8	03-27-95	04-20-95

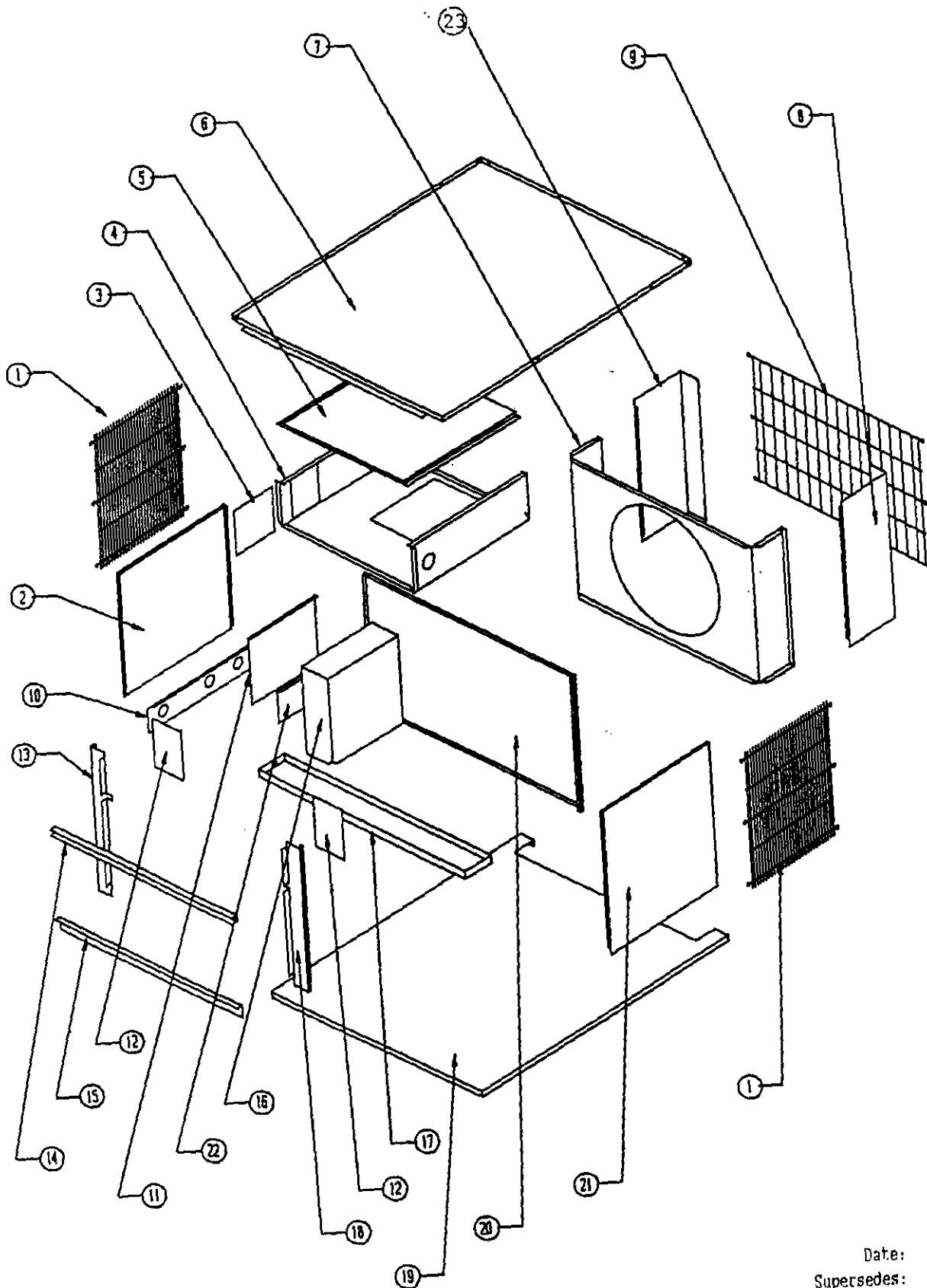
IMPORTANT

Contact the installing and/or local Bard distributor for all parts requirements. Make sure you have the complete model and serial number available from the unit rating plates.

BARD MANUFACTURING COMPANY
Bryan, Ohio 43506

Manual: 2110-207 Rev. F
Supersedes: Rev. E
File: 2150-004, Tab 10
Date: June, 1995

CABINET COMPONENTS



Date: 3-27-95
Supersedes: 1-18-91

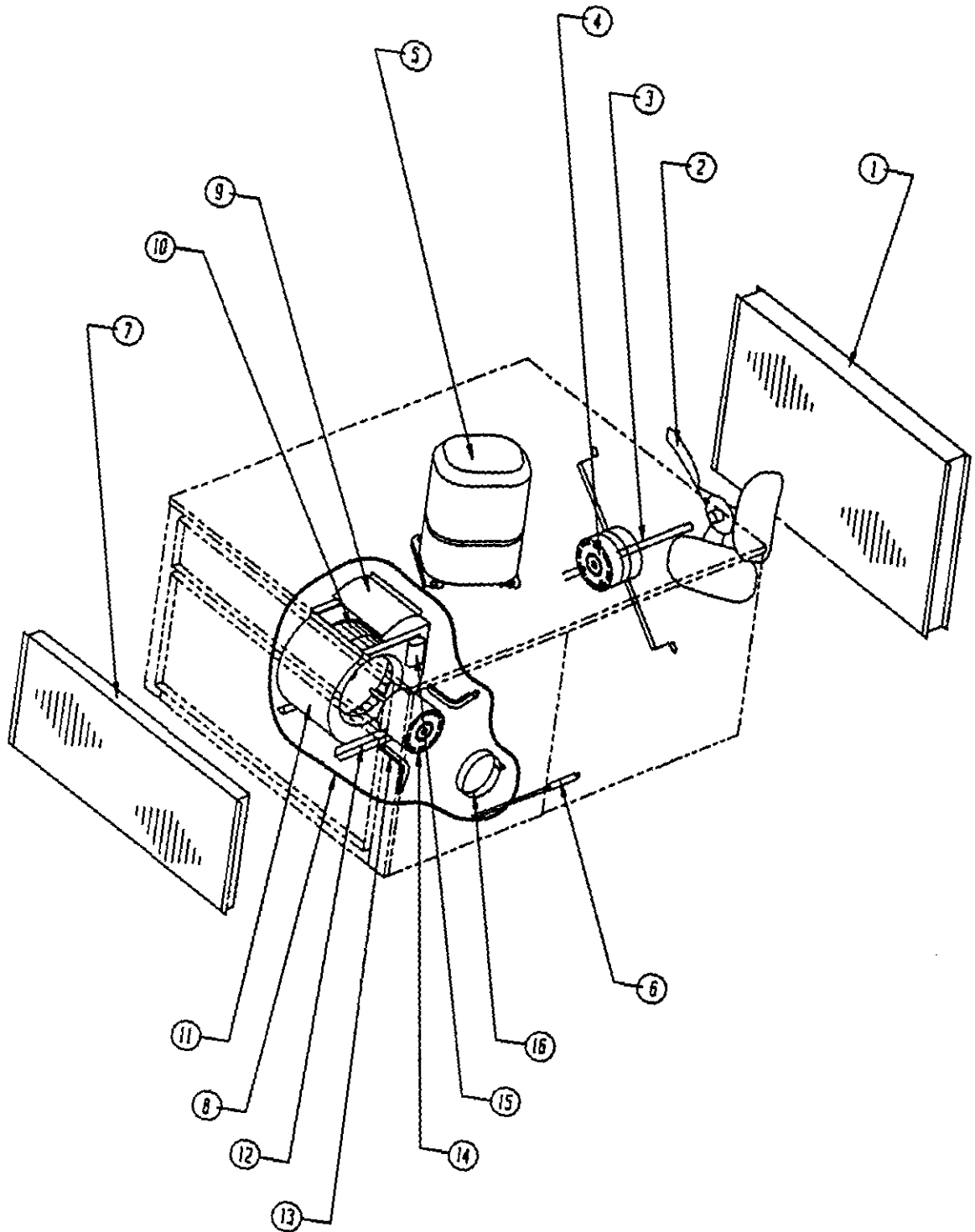
CABINET COMPONENTS

Item	Part No.	Description	U S A G E
1	7051-015	Inlet Grille	2
2	500-133	Left Side	X
3	142-017	Cover Plate--OKW	X
4	520-284	Blower Partition (P1024A1 only)	X
4	520-286	Blower Partition (all models except P1024A1)	X
5	134-017	Heat Strip Shield	X
6	506-168	Top	X
7	124-012	Fan Shroud	X
8	148X083	Right Rear Corner	2
9	7051-001	Condenser Grille	X
10	556-028	Entrance Panel	X
11	132-035	Control Panel Cover	X
12	136-312	Blower Fill Plates	2
13	548-082	Left Front Cover	X
14	164-552	Plenum Channel	X
15	104-521	Plenum Angle	X
16	Cntrl Pnl Assembly	See Control Panel Drawing and Parts List	X X
17	122-088	Drain Pan	X
18	548-081	Right Front Corner	X
19	527-255	Base	X
20	520-283	Compressor Partition	X
21	500-132	Right Side	X
22	142-016	Entrance Cover	X
23	148Y083	Left Rear Corner	X

Date: 3-27-95
Supersedes: 1-18-91

2110-207

FUNCTIONAL COMPONENTS



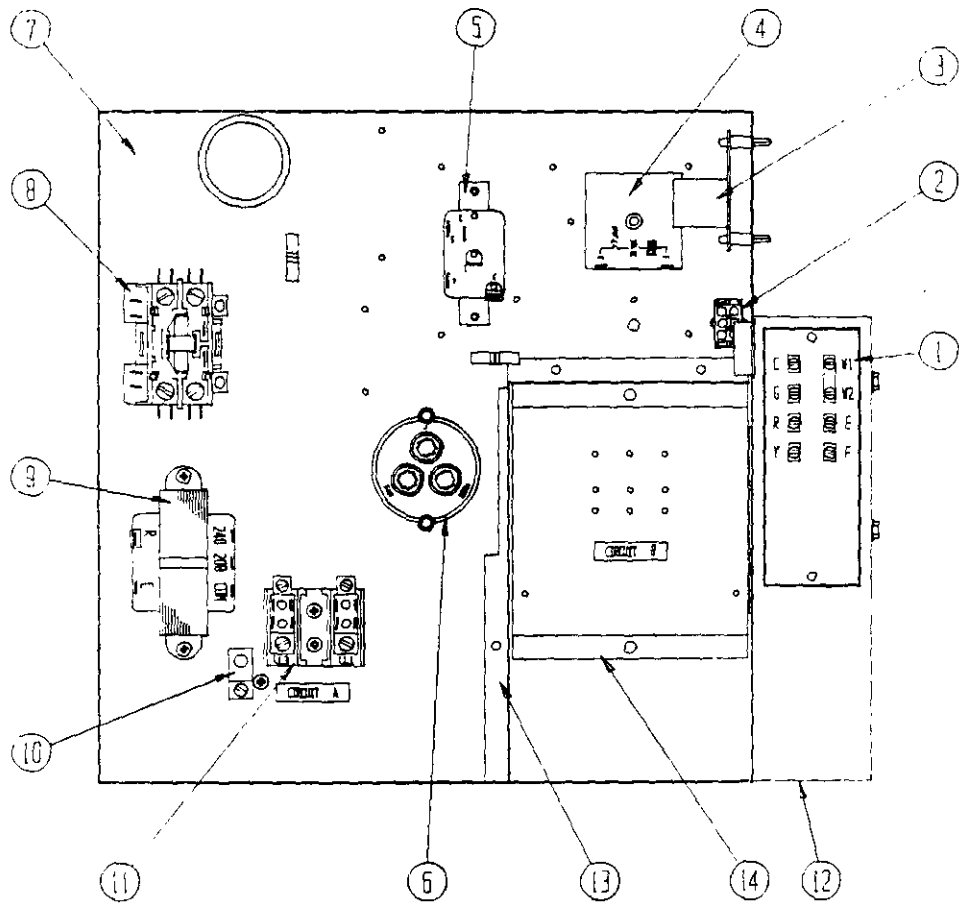
Date: 1-18-91
Supersedes:

FUNCTIONAL COMPONENTS

Dwg. No.	Part No.	Description	P 1 2 4 A 1	P 1 2 4 A 1 - D	P 1 3 0 A 1	P 1 3 0 A 1 - D	P 1 3 6 A 1 - B	P 1 3 6 A 1 - C	P 1 3 6 A 1 - D
1	5051-035	Condenser Coil	x	x	x	x			
1	5051-050	Condenser Coil					x	x	x
2	5151-034	Fan Blade	x	x					
2	5151-004	Fan Blade			x	x	x	x	x
3	8200-001	Motor Mount	x	x	x		x	x	x
4	8103-014	Motor						x	
4	8103-016	Motor	x	x					
4	8103-019	Motor			x	x	x		x
5	8000-116	Compressor	x						
5	8000-117	Compressor			x				
5	8000-115	Compressor					x		
5	8000-163	Compressor						x	
5	8000-164	Compressor							x
5	8000-169	Compressor		x					
5	8000-173	Compressor				x			
5	8000-184	Compressor							x
6	800-0049	Capillary Tube Assembly	x	x	x	x			
6	800-0159	Capillary Tube Assembly					x	x	x
7	5060-037	Evaporator Coil	x	x	x	x			
7	5060-050	Evaporator Coil					x	x	x
8	900-146	Complete Blower Assembly	x	x					
8	900-145	Complete Blower Assembly			x	x	x		x
8	900-207	Complete Blower Assembly						x	
9	144-126	Diffuser	x	x	x	x	x	x	x
10	5152-005	Blower Wheel			x	x	x	x	x
10	5152-065	Blower Wheel	x	x					
11	151-088	Blower Housing	x	x					
11	151-068	Blower Housing			x	x	x	x	x
12	104-787	Blower Angles	x	x	x	x	x	x	x
13	8200-036	Motor Mount Arms	3	3					
13	8200-034	Motor Mount Arms			3	3	3	3	3
14	8105-016	Motor						x	
14	8105-032	Motor	x	x					
14	8105-024	Motor			x	x	x		x
15	8552-002	Capacitor 5/370	x	x	x	x	x	x	x
16	8200-033	Motor Mount Band	x	x	x	x	x	x	x

Date: 3-27-95
Supersedes: 9-07-94

CONTROL PANEL



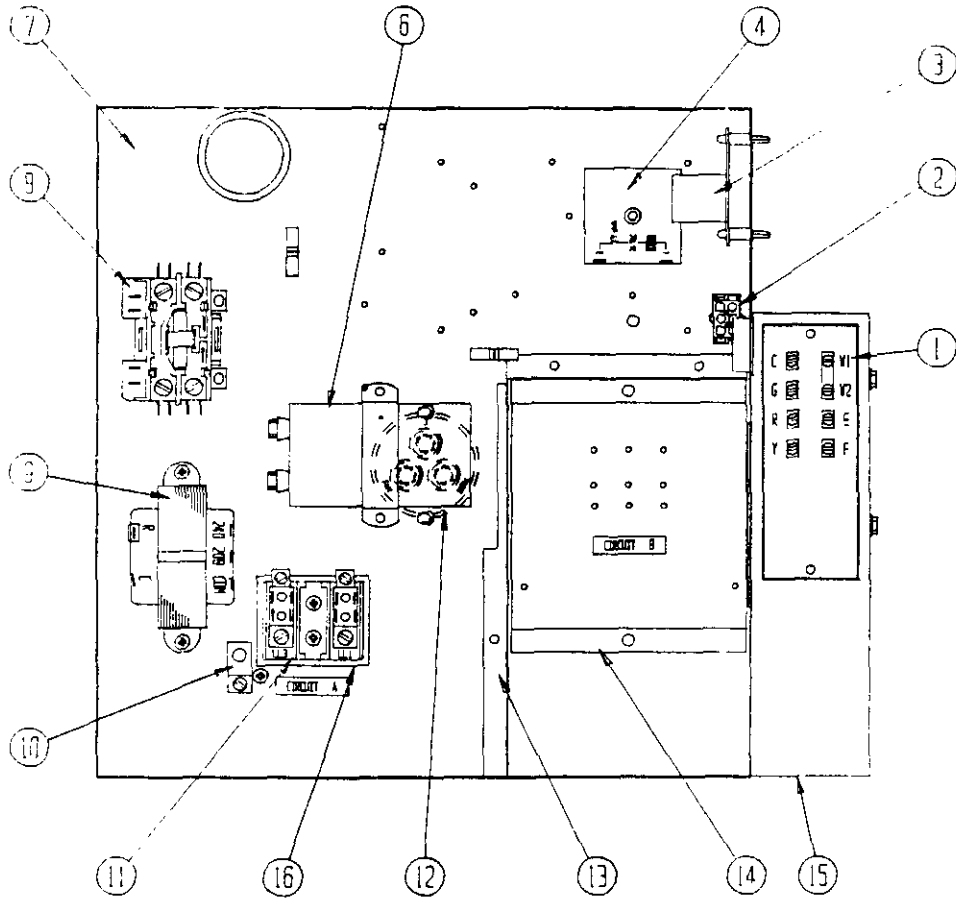
Date: 6-10-95
Supersedes: 4-20-94

CONTROL PANEL

Dwg. No.	Part No.	Description	P 1 1 2 4 A 1	P 1 1 2 4 A 1 - D	P 1 1 3 0 A 1	P 1 1 3 6 A 1	P 1 1 3 0 A 1 - D
1	8607-018	Terminal Strip	X	X	X	X	X
2	3000-988	Wire Assembly			X	X	X
2	3000-1027	Wire Assembly	X	X			
3	8201-056	Blower Relay	X	X	X	X	X
4	8201-050	Time Delay Relay	X	X	X	X	X
5	8201-034	Impedence Lockout Relay	X	X	X	X	X
6	8552-048	Capacitor 35/5 - 370			X		X
6	8552-049	Capacitor 35/5 - 440				X	
6	8552-047	Capacitor 30/5 - 370	X	X			
7	516-147	Control Panel	X	X	X	X	X
8	8401-007	Contactora	X	X	X	X	X
9	8407-034	Transformer	X	X	X	X	X
10	8611-006	Ground Terminal	X	X	X	X	X
11	8607-013	Terminal Block	X	X	X	X	X
12	116-148	Low Voltage Box	X	X	X	X	X
13	116-149	Control Panel Partition	X	X	X	X	X
14	116-150	Terminal Block Support	X	X	X	X	X
	4063-127	Wiring Diagram			X	X	X
	4063-126	Wiring Diagram	X	X			

Date: 6-10-95
 Supersedes: 3-27-95

CONTROL PANEL



MODELS: P1136A-B and P1136A-C

Date: 6-10-95
Supersedes: 4-20-94

2110-207
Page: 7

CONTROL PANEL

Dwg. No.	Part No.	Description	P 1 1 3 6 A 1 - B	P 1 1 3 6 A 1 - C	P 1 1 3 6 A 1 - D
1	8607-018	Terminal Strip	X	X	X
2	3000-988	Wire Assembly	X	X	X
3	8201-056	Solid State Blower Control	X		X
3	8201-032	Blower Relay		X	
4	8201-050	Time Delay Relay	X	X	X
6	8552-002	Capacitor 5-370	X	X	
7	516-147	Control Panel	X	X	X
8	8401-002	Contactora	X	X	
8	8401-007	Contactora			X
9	8407-034	Transformer	X		X
9	8407-042	Transformer		X	
10	8611-006	Ground Terminal	X	X	X
11	8607-013	Terminal Block			X
11	8607-014	Terminal Block	X	X	
12	8552-063	Capacitor 50/5-370			X
13	116-149	Control Panel Partition	X	X	X
14	116-150	Terminal Block Support	X	X	X
15	116-148	Low Voltage Box	X	X	X
16	8607-015	Phenolic Insulator		X	
	4063-125	Wiring Diagram			X
	4063-213	Wiring Diagram	X		
	4063-311	Wiring Diagram		X	

Date: 3-27-95
Supersedes: 4-20-94

