

# REPLACEMENT PARTS MANUAL

## PACKAGE AIR CONDITIONERS MODELS P1124A1, P1130A1, P1136A1

Manual 2110-207

Revision

Date 1-18-91

Supersedes

\*\*\*\*\*  
\* GENERAL NOTES \*  
\*\*\*\*\*

\*Revised and/or additional pages may be issued from time to time.  
\*A complete and current manual consists of pages dated as shown in the following index.

\*\*\*\*\*  
\*\* INDEX \*\*  
\*\*\*\*\*

<u>Page Description</u>	<u>Page</u>	<u>Date</u>	<u>Supersedes</u>
Cabinet Components--Exploded View	1	1-18-91	
" " --Usage List	2	1-18-91	
Functional Components--Exploded View	3	1-18-91	
" " --Usage List	4	1-18-91	
Control Panel--Layout	5	1-18-91	
" " --Usage List	6	1-18-91	

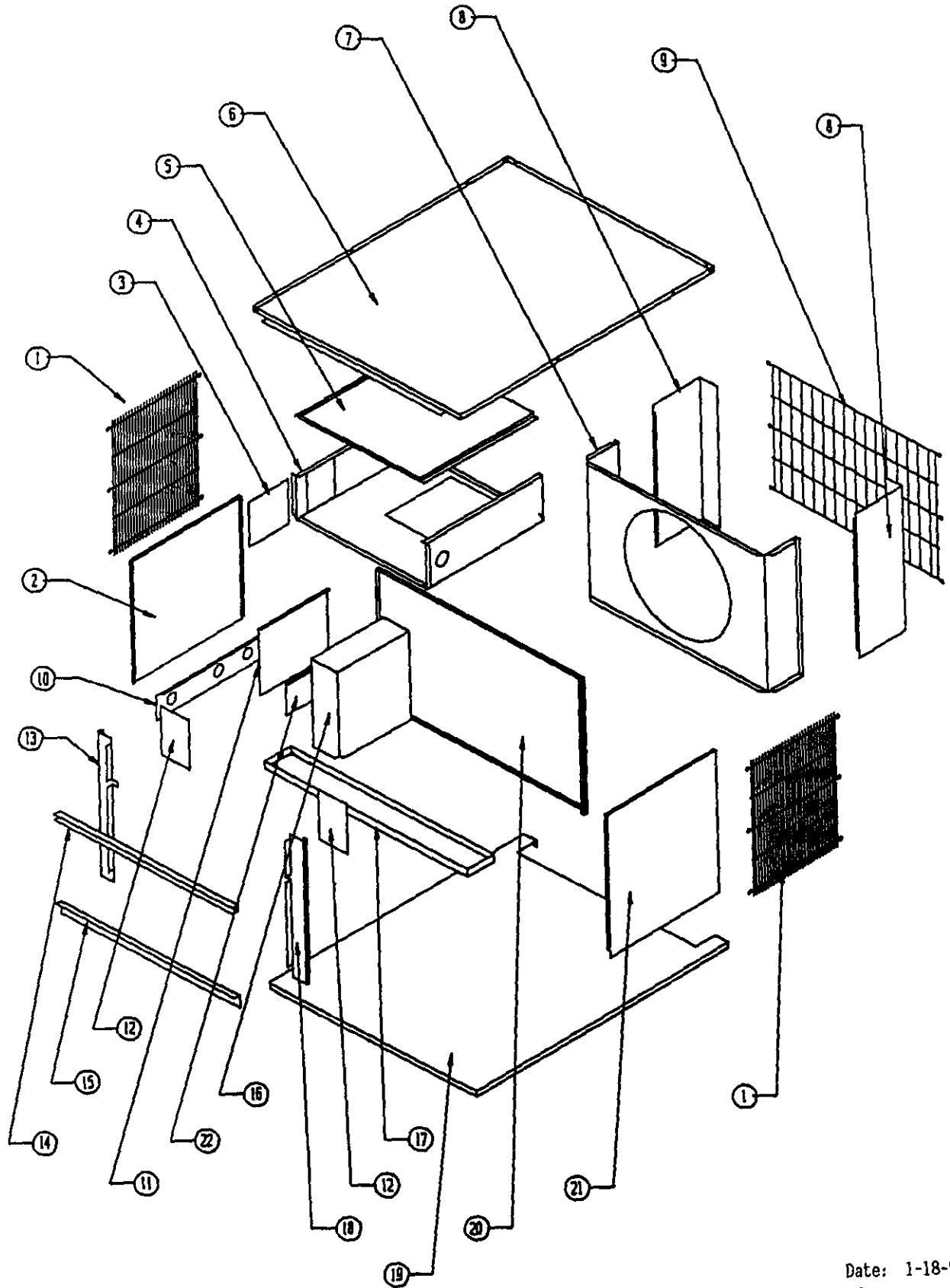
\*\*\*\*\*  
\*\*\* IMPORTANT \*\*\*  
\*\*\*\*\*

Contact the installing and/or local Bard distributor for all parts requirements. Make sure you have the complete model and serial number available from the unit rating plate.

BARD MANUFACTURING COMPANY

BRYAN, OHIO 43506

CABINET COMPONENTS



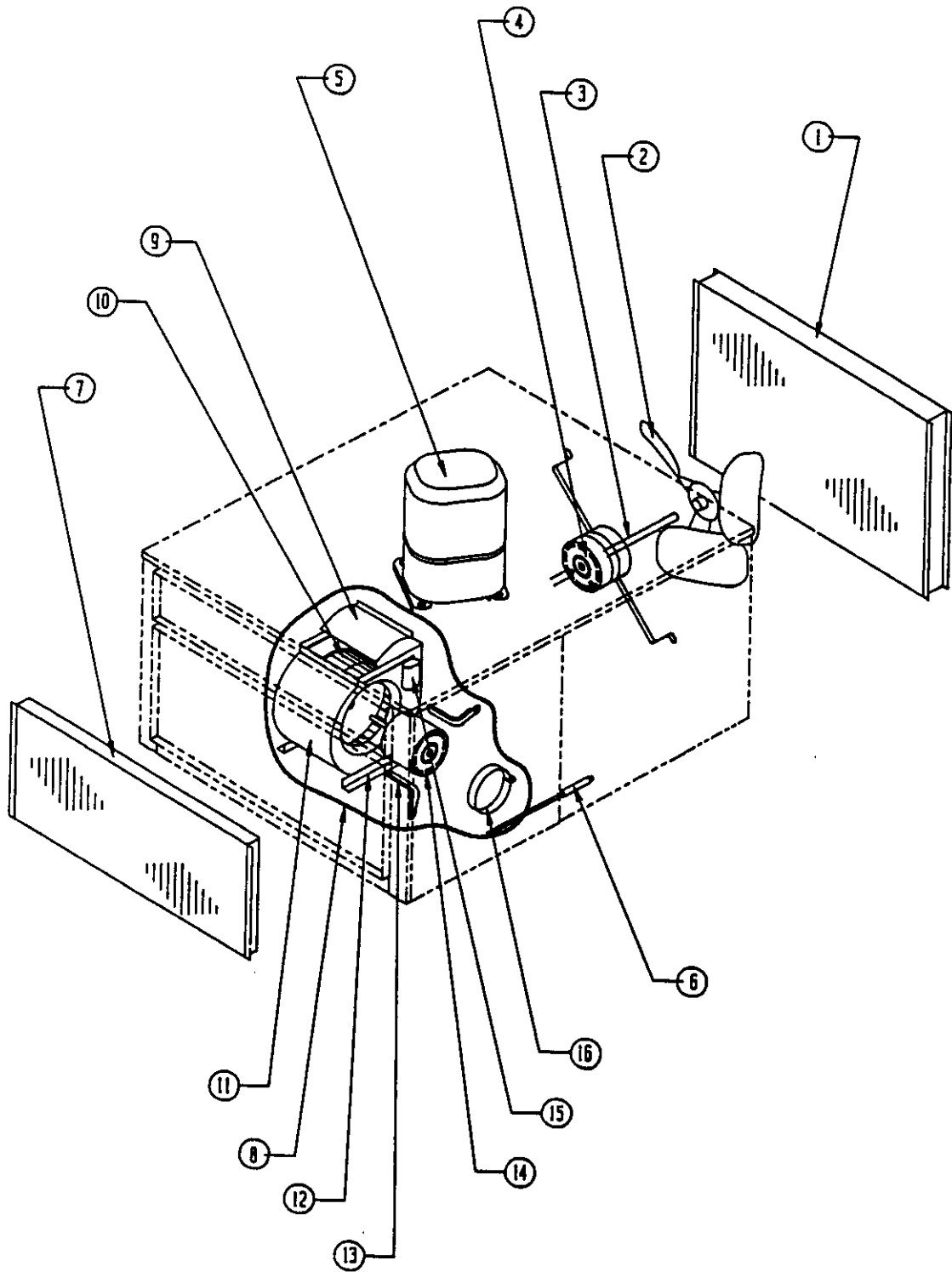
Date: 1-18-91  
Supersedes:

CABINET COMPONENTS

Item	Part No.	Description	U S A G E
1	7051-015	Inlet Grille	2
2	500-133	Left Side	X
3	142-017	Cover Plate--OKW	X
4	520-092	Blower Partition (P1024A1 only)	X
4	520-066	Blower Partition (all models except P1024A1)	X
5	134-017	Heat Strip Shield	X
6	506-011	Top	X
7	124-012	Fan Shroud (P1024A1 only)	X
7	124-002	Fan Shroud (all models except P1024A1)	X
8	149-043	Rear Corner	2
9	7051-001	Condenser Grille	X
10	556-018	Entrance Panel	X
11	132-035	Control Panel Cover	X
12	136-086	Blower Fill Plates	2
13	549Y044	Left Front Cover	X
14	164-501	Plenum Channel	X
15	104-521	Plenum Anqle	X
16	Cntrl Pnl Assembly	See Control Panel Drawing and Parts List	X X
17	123-043	Drain Pan	X
18	549X044	Right Front Corner	X
19	527-011	Base	X
20	520-070	Compressor Partition	X
21	500-132	Right Side	X
22	142-016	Entrance Cover	X

Date: 1-18-91  
Supersedes:

FUNCTIONAL COMPONENTS



Date: 1-18-91  
Supersedes:

FUNCTIONAL COMPONENTS

Dwg. No.	Part No.	Description	P	P	P
			1	1	1
			1	1	1
			2	3	3
			4	0	6
			A	A	A
			1	1	1
1	5051-035	Condenser Coil	x	x	
1	5051-050	Condenser Coil			x
2	5151-034	Fan Blade	x		
2	5151-004	Fan Blade		x	x
3	8200-001	Motor Mount	x	x	x
4	8103-016	Motor	x		
4	8103-019	Motor		x	x
5	8000-116	Compressor	x		
5	8000-117	Compressor		x	
5	8000-115	Compressor			x
6	800-0049	Capillary Tube Assembly	x	x	
6	800-0159	Capillary Tube Assembly			x
7	5060-037	Evaporator Coil	x	x	
7	5060-050	Evaporator Coil			x
8	900-146	Complete Blower Assembly	x		
8	900-133	Complete Blower Assembly			x
8	900-145	Complete Blower Assembly		x	
9	144-126	Diffuser	x	x	x
10	5152-013	Blower Wheel			x
10	5152-005	Blower Wheel		x	
10	5152-008	Blower Wheel	x		
11	151-088	Blower Housing	x		
11	151-068	Blower Housing		x	x
12	104-787	Blower Angles	x	x	x
13	8200-036	Motor Mount Arms	3		
13	8200-034	Motor Mount Arms		3	3
14	8105-032	Motor	x		
14	8105-024	Motor		x	x
15	8552-002	Capacitor 5/370	x	x	x
16	8200-033	Motor Mount Band	x	x	x

Date: 1-18-91  
Supersedes:



CONTROL PANEL

Dwg. No.	Part No.	Description	P	P	P
			1	1	1
			1	1	1
			2	3	3
			4	0	6
			A	A	A
			1	1	1
1	8607-006	Terminal Strip	X	X	X
2	8552-048	Capacitor 35/5 - 370		X	
2	8552-049	Capacitor 35/5 - 440			X
2	8552-047	Capacitor 30/5 - 370	X		
3	8201-008	Blower Relay	X	X	X
4	8407-034	Tranformer	X	X	X
5	8401-026	Contactora	X	X	X
6	8607-013	Terminal Block	X	X	X
7	516-071	Control Panel	X	X	X
8	116X076	Control Panel Partition	X	X	X
9	134-095	Terminal Block Shield	X	X	X
10	116X072	Low Voltage Box	X	X	X
11	3000-901	Wire Assembly		X	X
11	3000-948	Wire Assembly	X		
12	8611-006	Ground Terminal	X	X	X
	4063-120	Wiring Diagram		X	X
	4063-121	Wiring Diagram	X		

Date: 1-18-91  
Supersedes:

