

# REPLACEMENT PARTS MANUAL

PACKAGE  
AIR CONDITIONERS  
MODELS: P60A6-C18HD021  
P72A1-C18HD021  
P72A1-F14HD021

Manual 2110-209

Revision A

Date 9-08-95

Supersedes 7-26-91

\*\*\*\*\*  
\* GENERAL NOTES \*  
\*\*\*\*\*

\*Revised and/or additional pages may be issued from time to time.  
\*A complete and current manual consists of pages dated as shown in the following index.

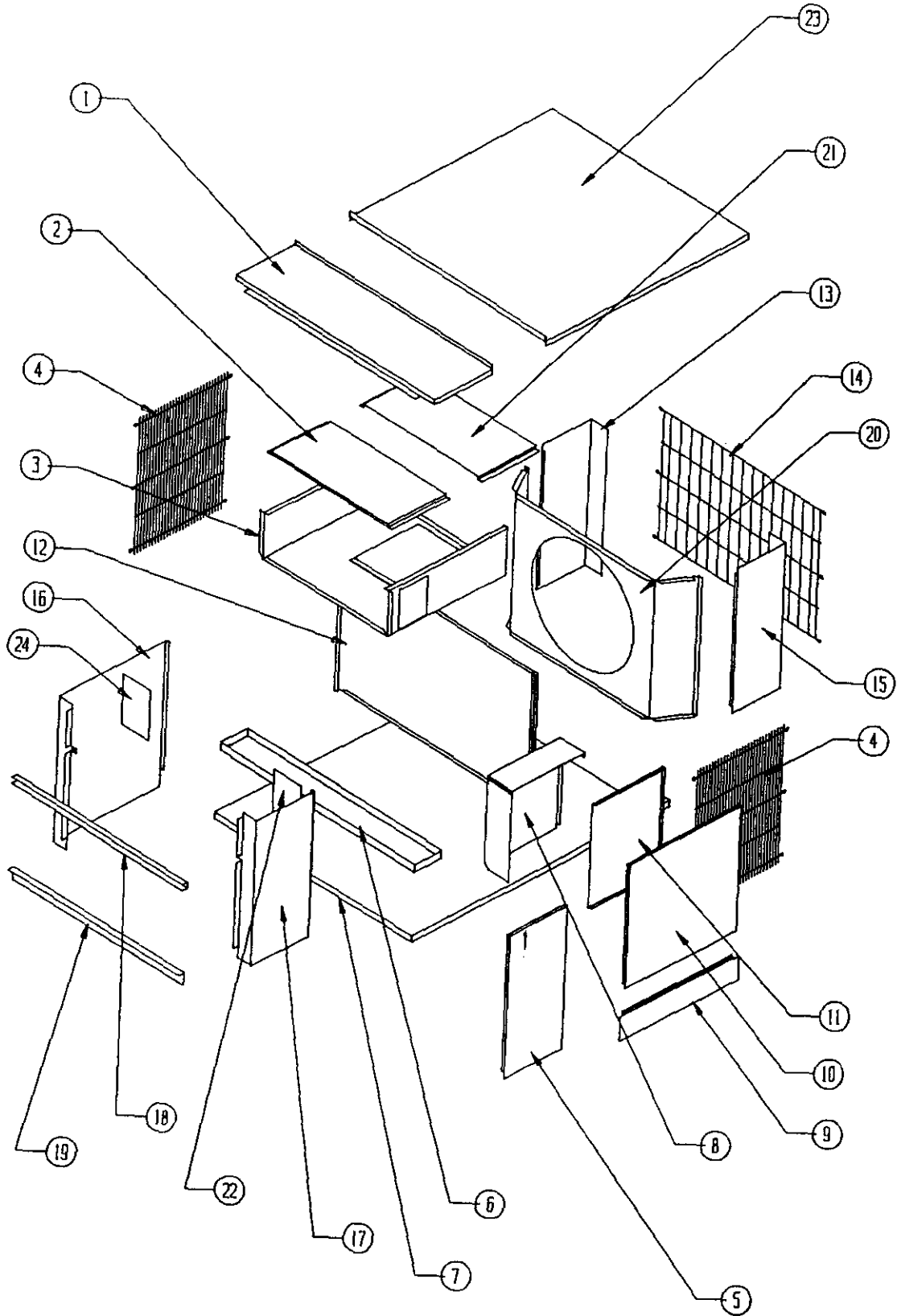
\*\*\*\*\*  
\*\* INDEX \*\*  
\*\*\*\*\*

<u>Page Description</u>	<u>Page</u>	<u>Date</u>	<u>Supersedes</u>
Cabinet Components--Exploded View	1	7-26-91	
" " --Usage List	2	7-26-91	
Cabinet Components--Exploded View	3	7-26-91	
" " --Usage List	4	7-26-91	
Functional Components--Exploded View	5	7-26-91	
" " --Usage List	6	9-08-95	7-26-91
Control Panel--Layout	7	7-26-91	
" " --Usage List	8	9-08-95	7-26-91

\*\*\*\*\*  
\*\*\* IMPORTANT \*\*\*  
\*\*\*\*\*

Contact the installing and/or local Bard distributor for all parts requirements. Make sure you have the complete model and serial number available from the unit rating plate.

CABINET COMPONENTS



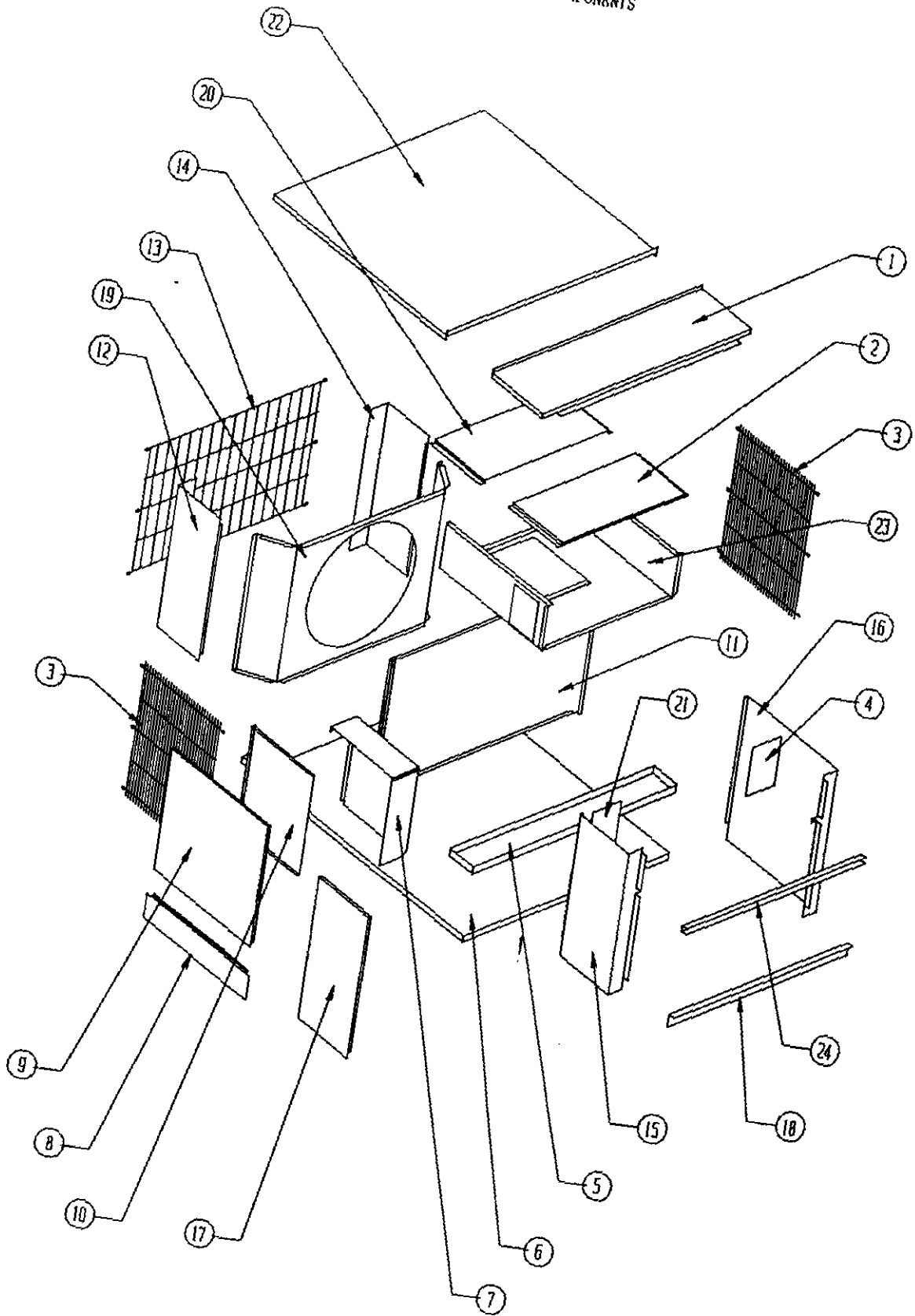
Date: 7-26-91  
Supersedes:

CABINET COMPONENTS

Item	Part No.	Description	P 6 O A 6
1	506-132	Top--Front	X
2	134-117	Heat Strip Shield	X
3	520-189	Blower Partition	X
4	7051-007	Side Grille	2
5	500-233	Right Side	X
6	123-079	Drain Pan	X
7	527-202	Base	X
8	Control Panel	See control panel drawing and parts list	X
9	536-157	Botton Fill Panel	X
10	552-211	Service Door Assenbly	X
11	133Y106	Control Panel Cover	X
12	520-188	Compressor Partition	X
13	149-053	Left Rear Corner	X
14	7051-005	Condenser Grille	X
15	149-052	Right Rear Corner	X
16	549-071	Left Front Corner	X
17	549-072	Right Front Corner	X
18	164-502	Plenum Channel	X
19	104-525	Plenum Angle	X
20	124-010	Fan Shroud	X
21	134-118	Heat Strip Shield	X
22	136Y156	Side Fill	X
23	506-133	Top Assenbly Back	X
24	136-011	Side Fill	X

Date: 7-26-91  
Supersedes:

CABINET COMPONENTS



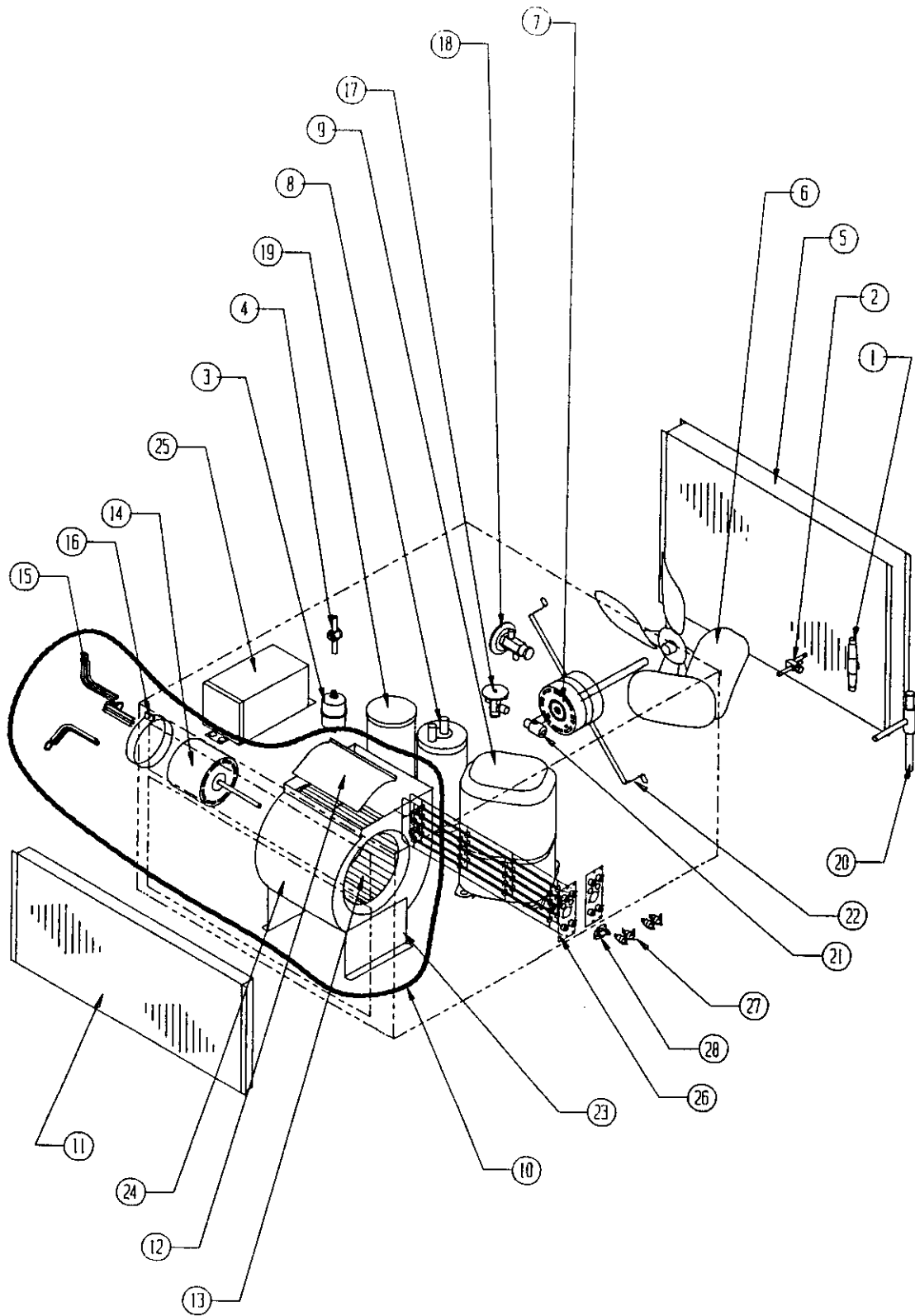
Date: 7-26-91  
Supersedes:

CABINET COMPONENTS

Item	Part No.	Description	P 7 2 A 1
1	506-132	Top--Front	X
2	134-117	Heat Strip Shield	X
3	7051-007	Side Grille	2
4	136-011	Side Fill	X
5	123-079	Drain Pan	X
6	527-202	Base	X
7	Control Panel	See control panel drawing and parts list	X
8	536-157	Bottom Fill Panel	X
9	552-211	Service Door Assembly	X
10	133X106	Control Panel Cover	X
11	520-186	Compressor Partition	X
12	149-053	Left Rear Corner	X
13	7051-005	Condenser Grille	X
14	149-052	Right Rear Corner	X
15	549-069	Left Front Corner	X
16	549-070	Right Front Corner	X
17	500-232	Left Side	X
18	104-525	Plenum Angle	X
19	124-010	Fan Shroud	X
20	134-118	Heat Shield	X
21	136X156	Side Fill	X
22	506-133	Top-Back	X
23	520-187	Blower Partition	X
24	164-502	Plenum Channel	X

Date: 7-26-91  
Supersedes:

FUNCTIONAL COMPONENTS



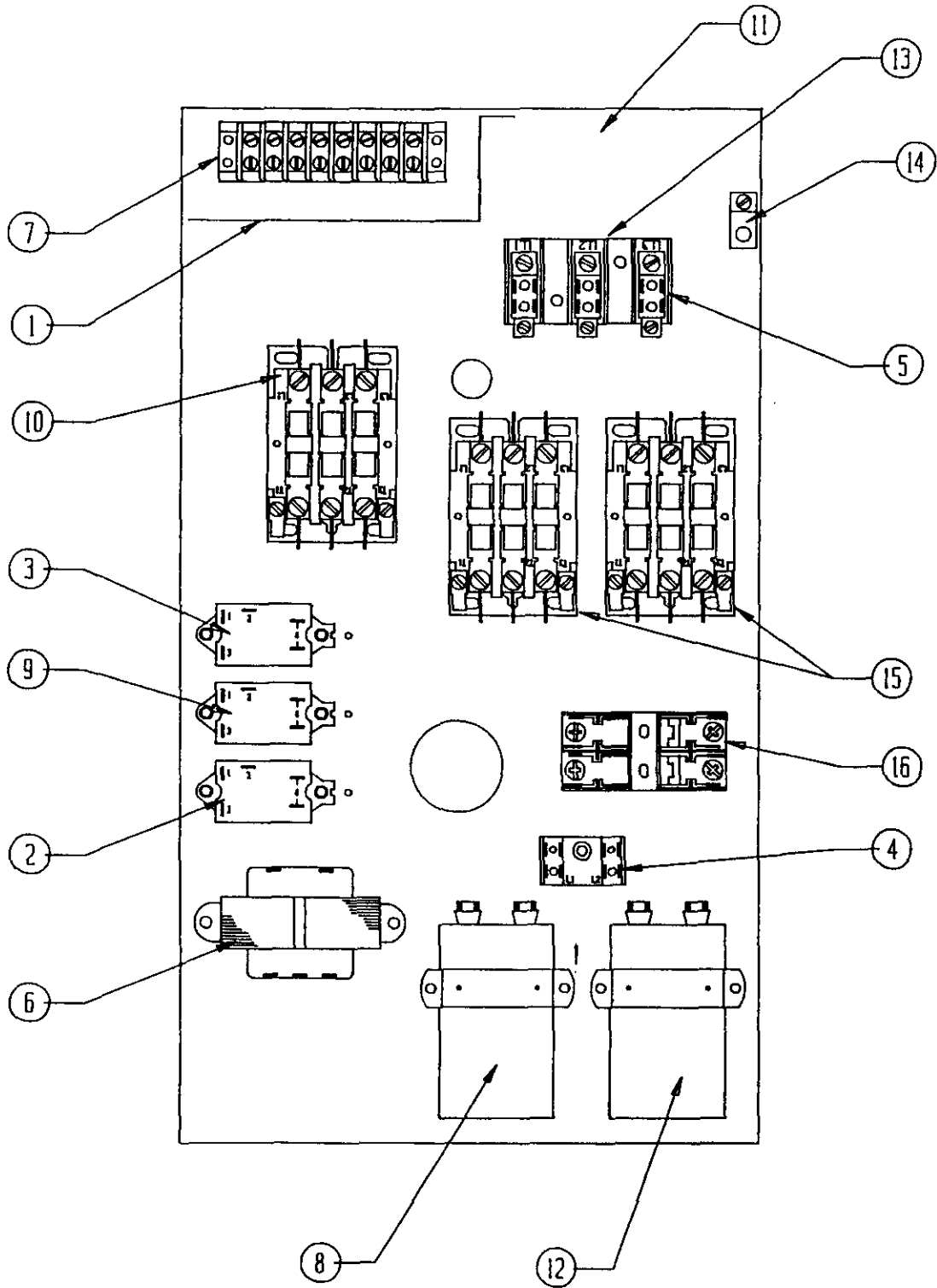
Date: 7-26-91  
Supersedes:

FUNCTIONAL COMPONENTS

Dwg. No.	Part No.	Description	P 6 O A 6   C 1 8 H	P 7 2 A 1   C 1 8 H	P 7 2 A 1   F 1 4 N
1	5651-016	Pressure Differential Valve	x	x	x
2	5651-051	Shutoff Valve	x	x	x
3	5201-002	Filter Drier	x	x	x
4	5201-014	Sight Glass	x	x	x
5	5051-028	Condenser Coil	x	x	x
6	5151-026	Fan Blade			x
6	5151-030	Fan Blade	x	x	
7	8106-016	Motor	x	x	
7	8105-014	Motor			x
8	5202-017	Accumulator	x	x	x
9	8000-048	Compressor	x		
9	8000-124	Compressor		x	x
10	S900-168	Comp. Blower Assembly	x	x	x
11	5060-056	Evaporator Coil		x	x
11	5060-025	Evaporator Coil	x		
12	144-130	Blower Diffuser	x	x	x
13	5152-088	Blower Wheel	x	x	x
14	8108-002	Motor	x	x	x
15	8200-034	Motor Mount Arm	3	3	3
16	8200-033	Motor Mount Band	x	x	x
17	5651-040	Expansion Valve	x		
17	5651-082	Expansion Valve		x	x
18	5651-014	Bypass Valve		x	x
18	5651-064	Bypass Valve	x		
19	5203-006	Receiver	x	x	x
20	5651-015	Head Pressure Control Valve	x	x	x
21	5651-081	Distributor		x	x
21	5651-008	Distributor	x		
22	8200-004	Fan Motor Mount	x	x	x
23	104-959	Blower Leg	2	2	2
24	151-097	Blower Housing	x	x	x
25	8407-004	Transformer 460V	x	x	
26	8604-072	Heat Strip	2	2	2
27	8402-026	Thermal Cutoff	4	4	4
28	8402-012	Limit	x	x	x

Date: 9-08-95  
Supersedes: 7-26-91

CONTROL PANEL



Date: 7-26-91  
Supersedes:



CONTROL PANEL

Dwg. No.	Part No.	Description	P 6 O A 6   C 1 8 H	P 7 2 A 1   C 1 8 H	P 7 2 A 1   F 1 4 H
1	116X128	Low Voltage Box		x	x
1	116Y128	Low Voltage Box	x		
2	8201-008	Fan Relay	x	x	
3	8201-008	Interlock Relay	x	x	
4	8607-017	Terminal Block	x	x	
5	8607-013	Terminal Block			2
5	8607-014	Terminal Block	x	x	
6	8407-034	Transformer			x
6	8407-035	Transformer	x	x	
7	8607-006	Terminal Strip	x	x	x
8	8552-026	Capacitor 15/370 Blower	x	x	x
9	8201-008	Blower Relay	x	x	
9	8201-009	Blower Relay			x
10	8401-002	Contactora	x	x	x
11	516Y127	Control Panel	x		
11	516X127	Control Panel		x	x
12	8552-005	Capacitor 10/370	x	x	x
13	8607-015	Phenolic Insulator	x	x	
13	134-051	Terminal Block Barrier			2
14	8611-006	Ground Terminal	x	x	x
15	8401-002	Heat Contactora	2	2	2
16	8614-041	Fuse Block	x	x	
	4064-312	Wiring Diagram	x		
	4064-313	Wiring Diagram		x	
	4064-612	Wiring Diagram			x

Date: 9-08-95  
Supersedes: 7-26-91