

# REPLACEMENT PARTS MANUAL

PACKAGE  
AIR CONDITIONERS  
MODELS: P60A6-C18HD021  
P72A1-C18HD021  
P72A1-F14HD021

Manual 2110-209

Revision B

Date 01-24-96

Supersedes 09-08-95

\*\*\*\*\*  
\* GENERAL NOTES \*  
\*\*\*\*\*

\*Revised and/or additional pages may be issued from time to time.  
\*A complete and current manual consists of pages dated as shown in the following index.

\*\*\*\*\*  
\*\* INDEX \*\*  
\*\*\*\*\*

<u>Page Description</u>	<u>Page</u>	<u>Date</u>	<u>Supersedes</u>
Cabinet Components--Exploded View	1	7-26-91	
" " --Usage List	2	7-26-91	
Cabinet Components--Exploded View	3	7-26-91	
" " --Usage List	4	7-26-91	
Functional Components--Exploded View	5	7-26-91	
" " --Usage List	6	9-08-95	7-26-91
Control Panel--Layout	7	1-24-96	7-26-91
" " --Usage List	8	1-24-96	9-08-95

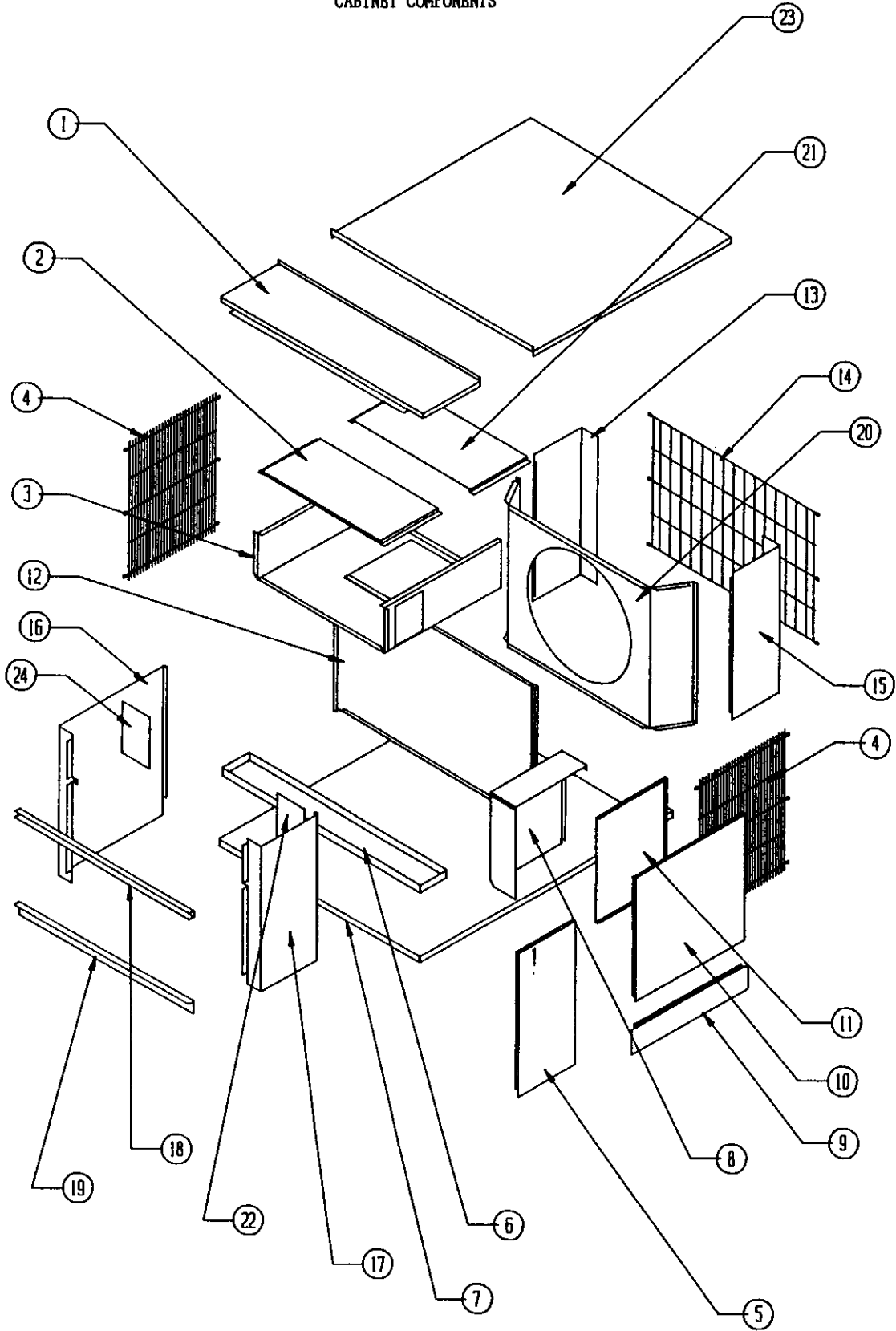
\*\*\*\*\*  
\*\*\* IMPORTANT \*\*\*  
\*\*\*\*\*

Contact the installing and/or local Bard distributor for all parts requirements. Make sure you have the complete model and serial number available from the unit rating plate.

BARD MANUFACTURING COMPANY

BRYAN, OHIO 43506

CABINET COMPONENTS



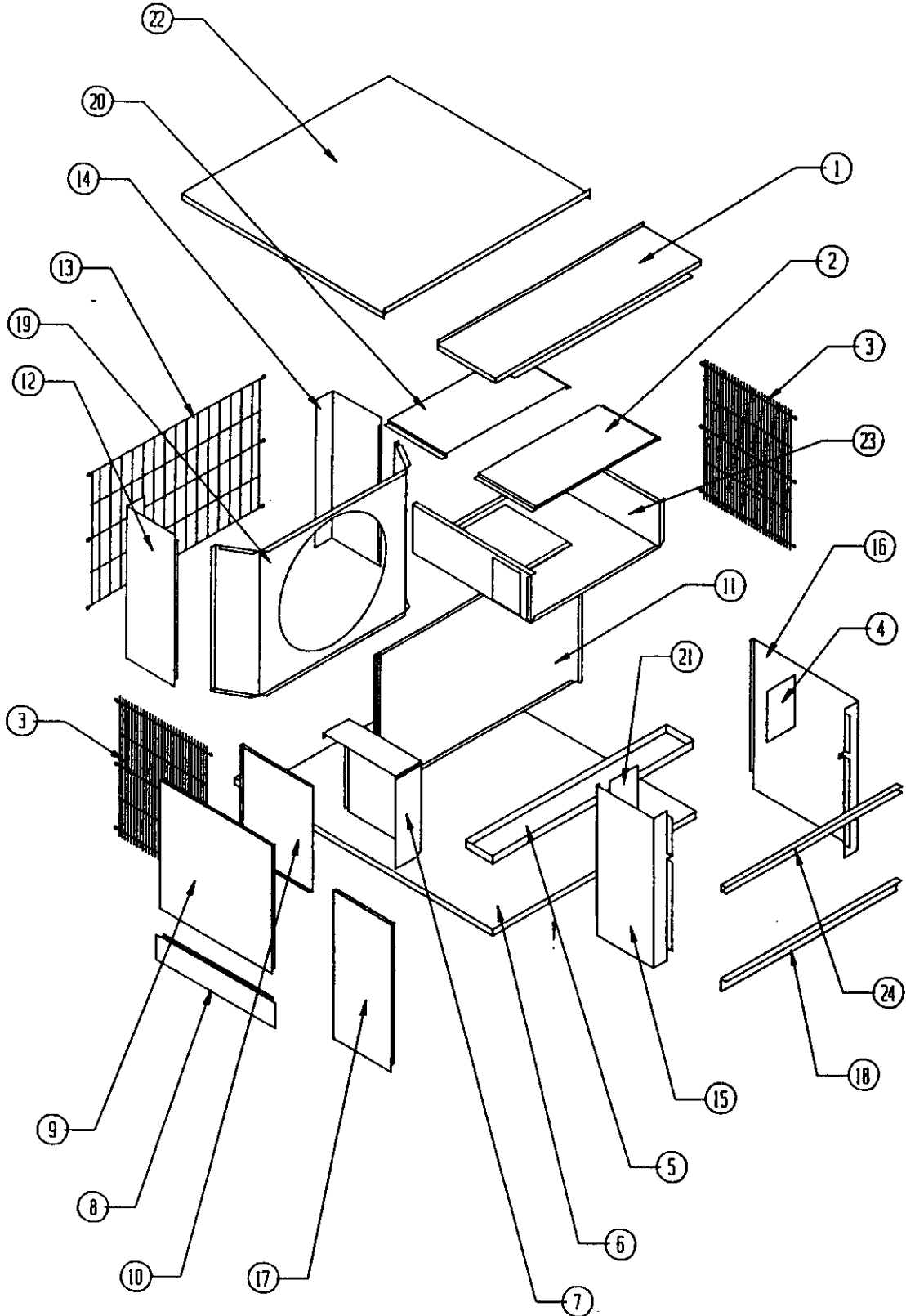
Date: 7-26-91  
Supersedes:

CABINET COMPONENTS

Item	Part No.	Description	P 6 0 A 6
1	506-132	Top--Front	X
2	134-117	Heat Strip Shield	X
3	520-189	Blower Partition	X
4	7051-007	Side Grille	2
5	500-233	Right Side	X
6	123-079	Drain Pan	X
7	527-202	Base	X
8	Control Panel	See control panel drawing and parts list	X
9	536-157	Bottom Fill Panel	X
10	552-211	Service Door Assembly	X
11	133Y106	Control Panel Cover	X
12	520-188	Compressor Partition	X
13	149-053	Left Rear Corner	X
14	7051-005	Condenser Grille	X
15	149-052	Right Rear Corner	X
16	549-071	Left Front Corner	X
17	549-072	Right Front Corner	X
18	164-502	Plenum Channel	X
19	104-525	Plenum Angle	X
20	124-010	Fan Shroud	X
21	134-118	Heat Strip Shield	X
22	136Y156	Side Fill	X
23	506-133	Top Assembly Back	X
24	136-011	Side Fill	X

Date: 7-26-91  
Supersedes:

CABINET COMPONENTS



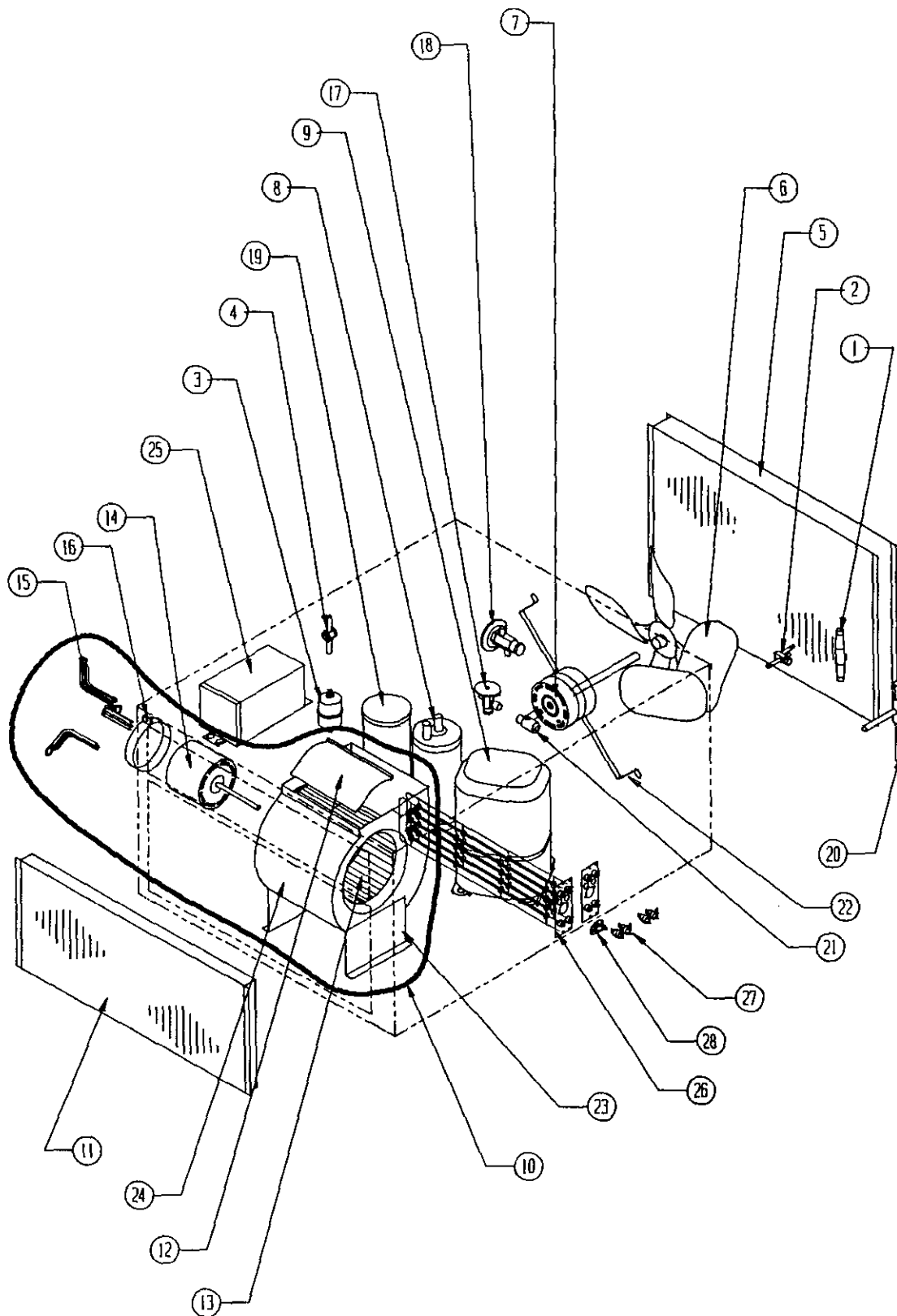
Date: 7-26-91  
Supersedes:

CABINET COMPONENTS

Item	Part No.	Description	P 7 2 A 1
1	506-132	Top--Front	X
2	134-117	Heat Strip Shield	X
3	7051-007	Side Grille	2
4	136-011	Side Fill	X
5	123-079	Drain Pan	X
6	527-202	Base	X
7	Control Panel	See control panel drawing and parts list	X
8	536-157	Bottom Fill Panel	X
9	552-211	Service Door Assembly	X
10	133X106	Control Panel Cover	X
11	520-186	Compressor Partition	X
12	149-053	Left Rear Corner	X
13	7051-005	Condenser Grille	X
14	149-052	Right Rear Corner	X
15	549-069	Left Front Corner	X
16	549-070	Right Front Corner	X
17	500-232	Left Side	X
18	104-525	Plenum Angle	X
19	124-010	Fan Shroud	X
20	134-118	Heat Shield	X
21	136X156	Side Fill	X
22	506-133	Top-Back	X
23	520-187	Blower Partition	X
24	164-502	Plenum Channel	X

Date: 7-26-91  
Supersedes:

# FUNCTIONAL COMPONENTS



Date: 7-26-91  
Supersedes:

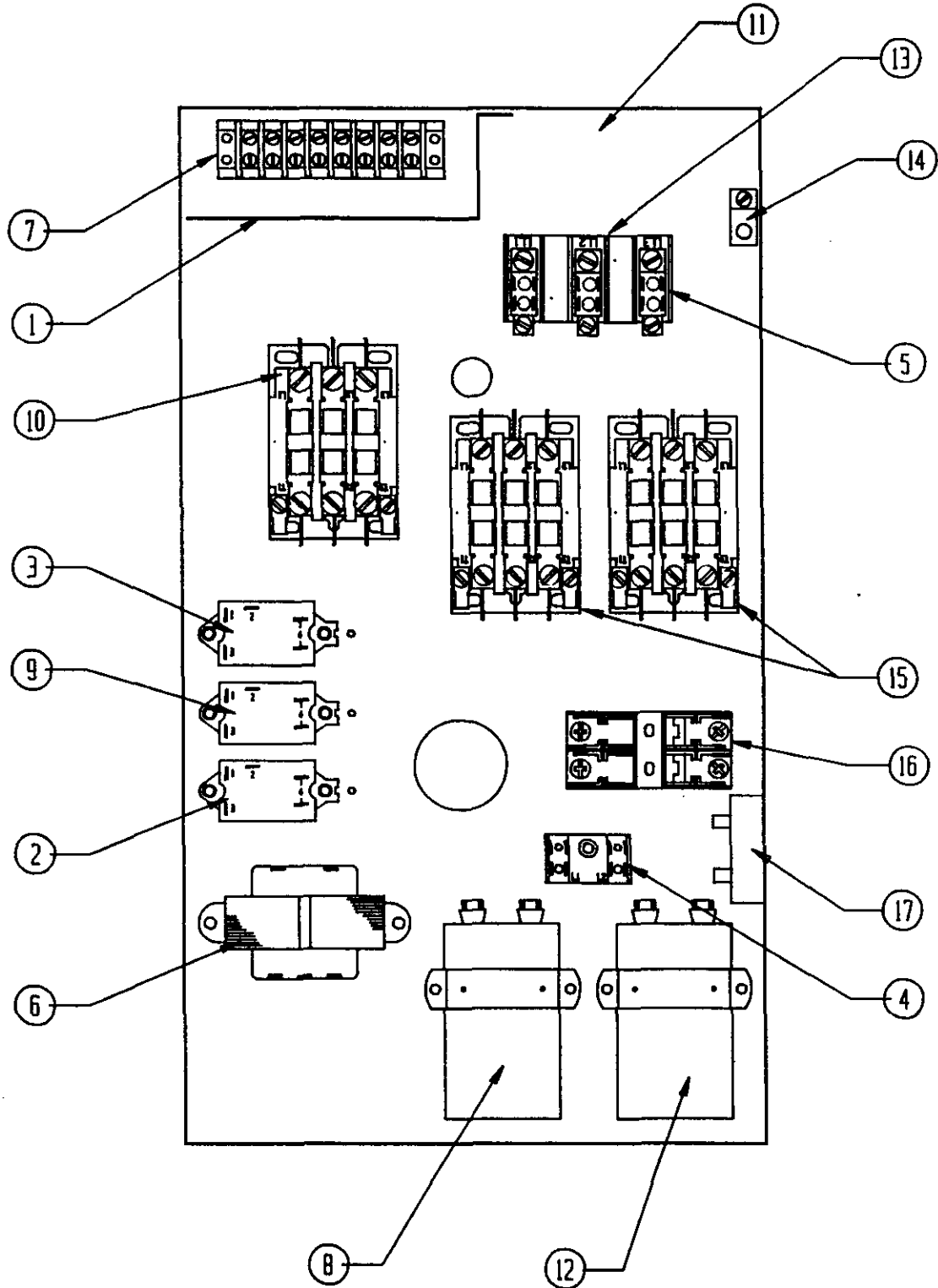
2110-209  
Page: 5

FUNCTIONAL COMPONENTS

Dwg. No.	Part No.	Description	P 6 O A 6   C 1 8 H	P 7 2 A 1   C 1 8 H	P 7 2 A 1   F 1 4 N
1	5651-016	Pressure Differential Valve	X	X	X
2	5651-051	Shutoff Valve	X	X	X
3	5201-002	Filter Drier	X	X	X
4	5201-014	Sight Glass	X	X	X
5	5051-028	Condenser Coil	X	X	X
6	5151-026	Fan Blade			X
6	5151-030	Fan Blade	X	X	
7	8106-016	Motor	X	X	
7	8105-014	Motor			X
8	5202-017	Accumulator	X	X	X
9	8000-048	Compressor	X		
9	8000-124	Compressor		X	X
10	5900-168	Comp. Blower Assembly	X	X	X
11	5060-056	Evaporator Coil		X	X
11	5060-025	Evaporator Coil	X		
12	144-130	Blower Diffuser	X	X	X
13	5152-088	Blower Wheel	X	X	X
14	8108-002	Motor	X	X	X
15	8200-034	Motor Mount Arm	3	3	3
16	8200-033	Motor Mount Band	X	X	X
17	5651-040	Expansion Valve	X		
17	5651-082	Expansion Valve		X	X
18	5651-014	Bypass Valve		X	X
18	5651-064	Bypass Valve	X		
19	5203-006	Receiver	X	X	X
20	5651-015	Head Pressure Control Valve	X	X	X
21	5651-081	Distributor		X	X
21	5651-008	Distributor	X		
22	8200-004	Fan Motor Mount	X	X	X
23	104-959	Blower Leg	2	2	2
24	151-097	Blower Housing	X	X	X
25	8407-004	Transformer 460V	X	X	
26	8604-072	Heat Strip	2	2	2
27	8402-026	Thermal Cutoff	4	4	4
28	8402-012	Limit	X	X	X

Date: 9-08-95  
Supersedes: 7-26-91

CONTROL PANEL



Date: 1-24-96  
Supersedes: 7-26-91



CONTROL PANEL

Dwg. No.	Part No.	Description	P 6 0 A 6   C 1 8 H	P 7 2 A 1   C 1 8 H	P 7 2 A 1   F 1 4 H
1	116X128	Low Voltage Box		x	x
1	116Y128	Low Voltage Box	x		
2	8201-008	Fan Relay	x	x	
3	8201-008	Interlock Relay	x	x	
4	8607-017	Terminal Block	x	x	
5	8607-013	Terminal Block			2
5	8607-014	Terminal Block	x	x	
6	8407-034	Transformer			x
6	8407-035	Transformer	x	x	
7	8607-006	Terminal Strip	x	x	x
8	8552-026	Capacitor 15/370 Blower	x	x	x
9	8201-008	Blower Relay	x	x	
9	8201-009	Blower Relay			x
10	8401-002	Contactora	x	x	x
11	516Y127	Control Panel	x		
11	516X127	Control Panel		x	x
12	8552-005	Capacitor 10/370	x	x	x
13	8607-015	Phenolic Insulator	x	x	
13	134-051	Terminal Block Barrier			2
14	8611-006	Ground Terminal	x	x	x
15	8401-002	Heat Contactora	2	2	2
16	8614-041	Fuse Block	x	x	
17	8201-067	Time Delay Relay	x	x	x
	4064-312	Wiring Diagram	x		
	4064-313	Wiring Diagram		x	
	4064-612	Wiring Diagram			x

Date: 1-24-96  
Supersedes: 9-08-95