

REPLACEMENT PARTS MANUAL

PACKAGE
AIR CONDITIONERS
MODELS: P60A6-C18HD021
P72A1-C18HD021
P72A1-F14HD021

Manual 2110-209

Revision

Date 07-26-91

Supersedes

* GENERAL NOTES *

*Revised and/or additional pages may be issued from time to time.
*A complete and current manual consists of pages dated as shown in the following index.

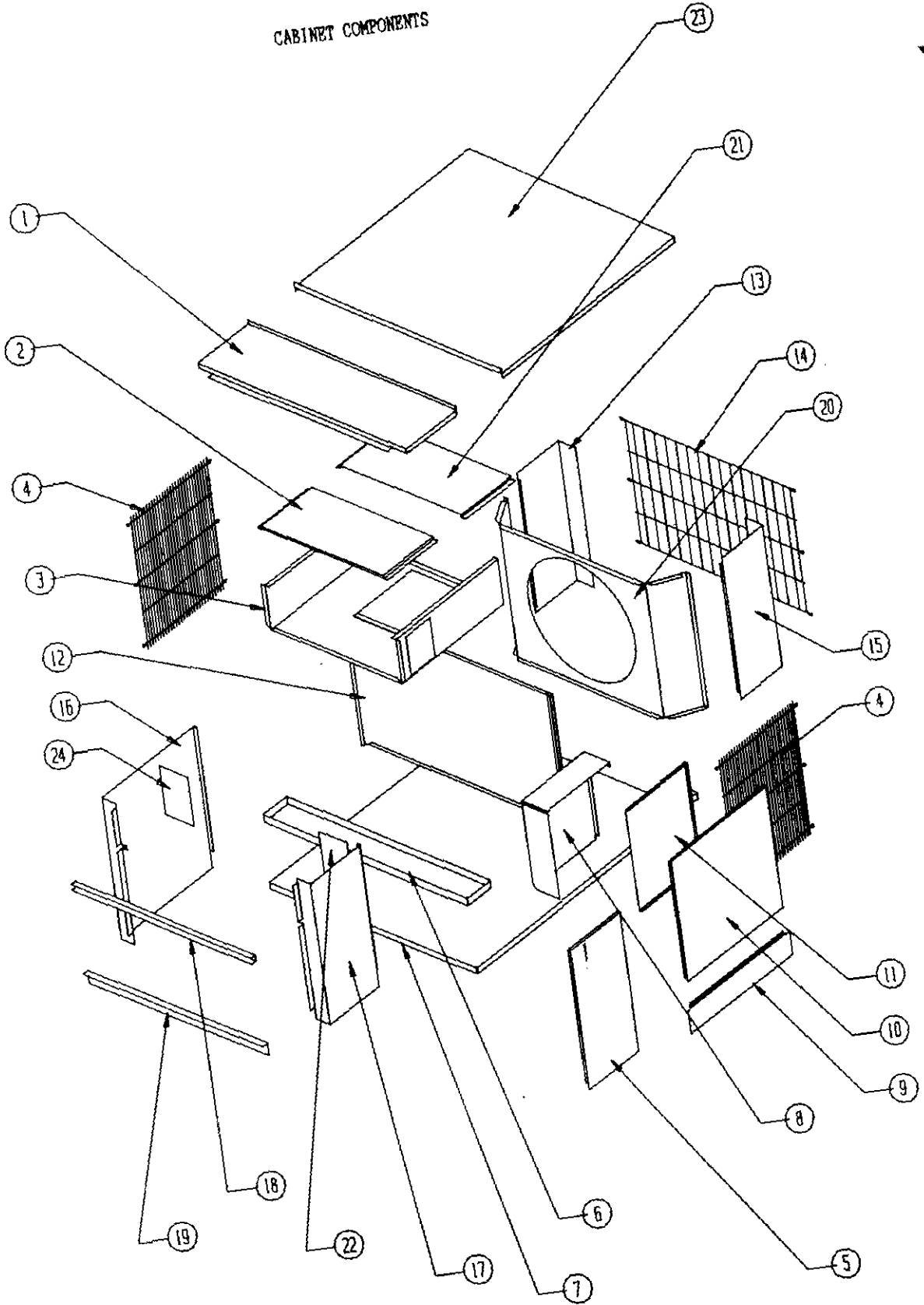
** INDEX **

| <u>Page Description</u> | <u>Page</u> | <u>Date</u> | <u>Supersedes</u> |
|--------------------------------------|-------------|-------------|-------------------|
| Cabinet Components--Exploded View | 1 | 7-26-91 | |
| " " --Usage List | 2 | 7-26-91 | |
| Cabinet Components--Exploded View | 3 | 7-26-91 | |
| " " --Usage List | 4 | 7-26-91 | |
| Functional Components--Exploded View | 5 | 7-26-91 | |
| " " --Usage List | 6 | 7-26-91 | |
| Control Panel--Layout | 7 | 7-26-91 | |
| " " --Usage List | 8 | 7-26-91 | |

*** IMPORTANT ***

Contact the installing and/or local Bard distributor for all parts requirements. Make sure you have the complete model and serial number available from the unit rating plate.

CABINET COMPONENTS



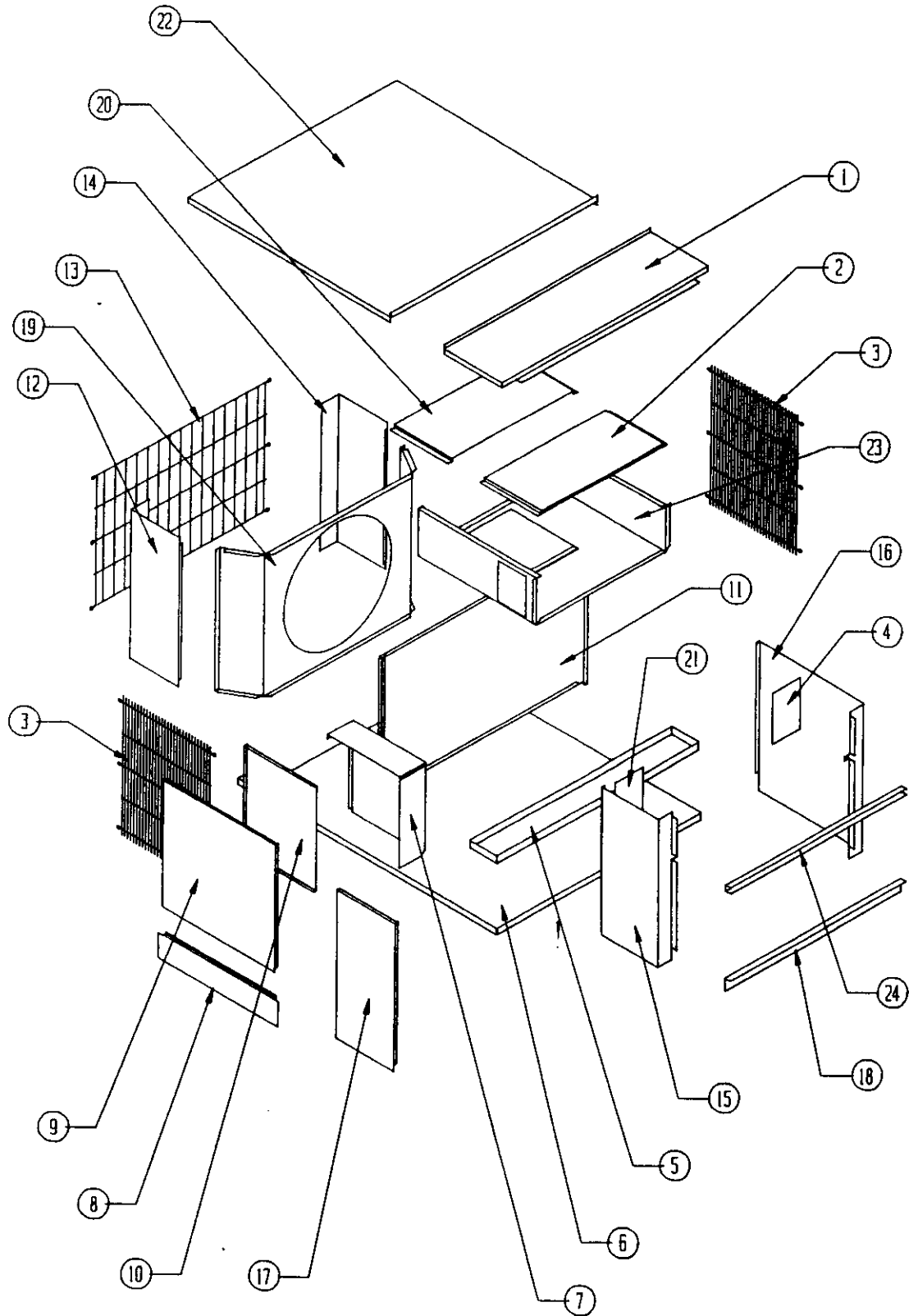
Date: 7-26-91
Supersedes:
2110-209
Page: 1

CABINET COMPONENTS

| Item | Part No. | Description | P 6 O A 6 |
|------|---------------|--|-----------------------|
| 1 | 506-132 | Top--Front | X |
| 2 | 134-117 | Heat Strip Shield | X |
| 3 | 520-189 | Blower Partition | X |
| 4 | 7051-007 | Side Grille | Z |
| 5 | 500-233 | Right Side | X |
| 6 | 123-079 | Drain Pan | X |
| 7 | 527-202 | Base | X |
| 8 | Control Panel | See control panel drawing and parts list | X |
| 9 | 536-157 | Bottom Fill Panel | X |
| 10 | 552-211 | Service Door Assembly | X |
| 11 | 133Y106 | Control Panel Cover | X |
| 12 | 520-188 | Compressor Partition | X |
| 13 | 149-053 | Left Rear Corner | X |
| 14 | 7051-005 | Condenser Grille | X |
| 15 | 149-052 | Right Rear Corner | X |
| 16 | 549-071 | Left Front Corner | X |
| 17 | 549-072 | Right Front Corner | X |
| 18 | 164-502 | Plenum Channel | X |
| 19 | 104-525 | Plenum Angle | X |
| 20 | 124-010 | Fan Shroud | X |
| 21 | 134-118 | Heat Strip Shield | X |
| 22 | 136Y156 | Side Fill | X |
| 23 | 506-133 | Top Assembly Back | X |
| 24 | 136-011 | Side Fill | X |

Date: 7-26-91
Supersedes:

CABINET COMPONENTS



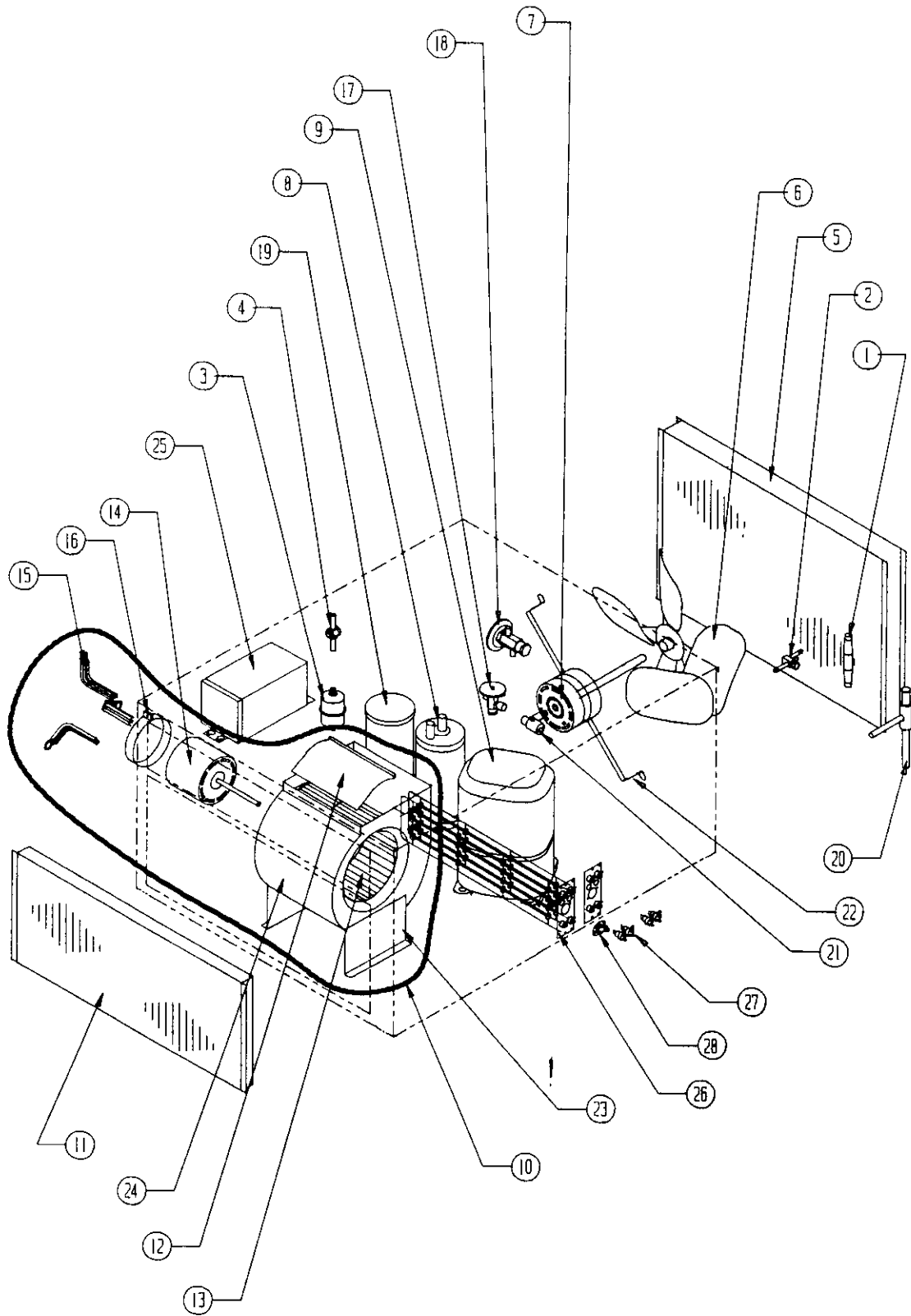
Date: 7-26-91
Supersedes:

CABINET COMPONENTS

| Item | Part No. | Description | P 7 2 A 1 |
|------|---------------|--|-----------------------|
| 1 | 506-132 | Top--Front | X |
| 2 | 134-117 | Heat Strip Shield | X |
| 3 | 7051-007 | Side Grille | 2 |
| 4 | 136-011 | Side Fill | X |
| 5 | 123-079 | Drain Pan | X |
| 6 | 527-202 | Base | X |
| 7 | Control Panel | See control panel drawing and parts list | X |
| 8 | 536-157 | Bottom Fill Panel | X |
| 9 | 552-211 | Service Door Assembly | X |
| 10 | 133X106 | Control Panel Cover | X |
| 11 | 520-186 | Compressor Partition | X |
| 12 | 149-053 | Left Rear Corner | X |
| 13 | 7051-005 | Condenser Grille | X |
| 14 | 149-052 | Right Rear Corner | X |
| 15 | 549-069 | Left Front Corner | X |
| 16 | 549-070 | Right Front Corner | X |
| 17 | 500-232 | Left Side | X |
| 18 | 104-525 | Plenum Angle | X |
| 19 | 124-010 | Fan Shroud | X |
| 20 | 134-118 | Heat Shield | X |
| 21 | 136X156 | Side Fill | X |
| 22 | 506-133 | Top-Back | X |
| 23 | 520-187 | Blower Partition | X |
| 24 | 164-502 | Plenum Channel | X |

Date: 7-26-91
Supersedes:

FUNCTIONAL COMPONENTS



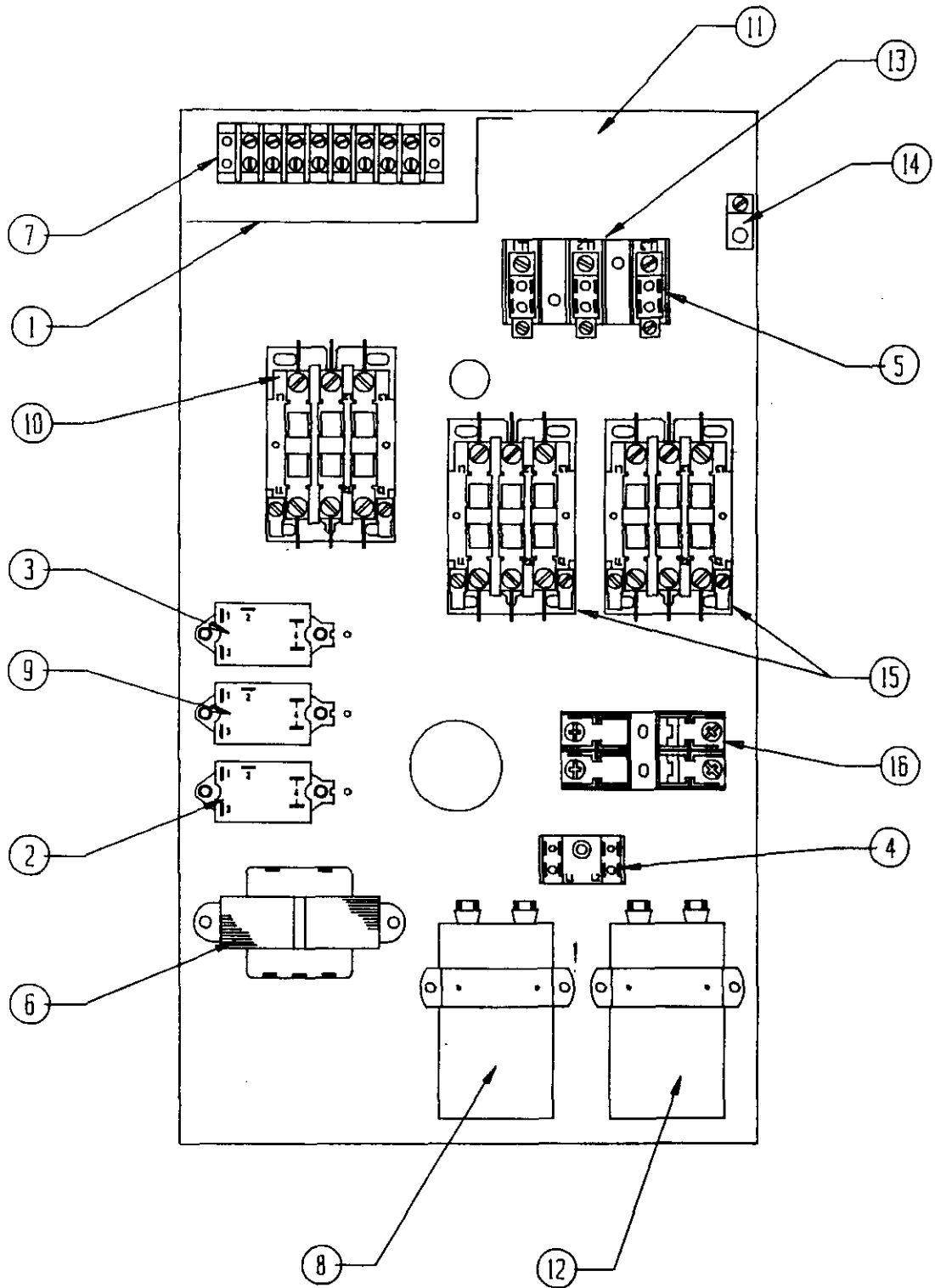
Date: 7-26-91
Supersedes:

FUNCTIONAL COMPONENTS

| Dwg. No. | Part No. | Description | P | P | P |
|---------------|---------------------|-----------------------------|---|---|---|
| | | | 6 | 7 | 7 |
| | | | 0 | 2 | 2 |
| | | | A | A | A |
| | | | 6 | 1 | 1 |
| | | | | | |
| | | | C | C | F |
| | | | 1 | 1 | 1 |
| | | | 8 | 8 | 4 |
| | | | H | H | N |
| 1 | 5651-016 | Pressure Differential Valve | x | x | x |
| 2 | 5651-051 | Shutoff Valve | x | x | x |
| 3 | 5201-002 | Filter Drier | x | x | x |
| 4 | 5201-014 | Sight Glass | x | x | x |
| 5 | 5051-028 | Condenser Coil | x | x | x |
| 6 | 5151-026 | Fan Blade | | | x |
| 6 | 5151-030 | Fan Blade | x | x | |
| 7 | 8106-016 | Motor | x | x | |
| 7 | 8105-014 | Motor | | | x |
| 8 | 5202-017 | Accumulator | x | x | x |
| 9 | 8000-048 | Compressor | x | | |
| 9 | 8000-124 | Compressor | | x | x |
| 10 | 900-170 | Complete Blower Assembly | x | | |
| 10 | 900-168 | Complete Blower Assembly | | x | |
| 10 | 900-169 | Comp. Blower Assembly | | | x |
| 11 | 5060-056 | Evaporator Coil | | x | x |
| 11 | 5060-025 | Evaporator Coil | x | | |
| 12 | 144-130 | Blower Diffuser | x | x | x |
| 13 | 5152-059 | Blower Wheel | x | x | x |
| 14 | 8106-015 | Motor | | | |
| 14 | 8108-002 | Motor | x | x | x |
| 15 | 8200-034 | Motor Mount Arm | 3 | 3 | 3 |
| 16 | 8200-033 | Motor Mount Band | x | x | x |
| 17 | 5651-040 | Expansion Valve | x | | |
| 17 | 5651-082 | Expansion Valve | | x | x |
| 18 | 5651-014 | Bypass Valve | | x | x |
| 18 | 5651-064 | Bypass Valve | x | | |
| 19 | 5203-006 | Receiver | x | x | x |
| 20 | 5651-015 | Head Pressure Control Valve | x | x | x |
| 21 | 5651-081 | Distributor | | x | x |
| 21 | 5651-008 | Distributor | x | | |
| 22 | 8200-004 | Fan Motor Mount | x | x | x |
| 23 | 104-795 | Blower Leg | 2 | 2 | 2 |
| 24 | 151-097 | Blower Housing | x | x | x |
| 25 | 8407-004 | Transformer 460V | x | x | |
| 26 | 8604-072 | Heat Strip | 2 | 2 | 2 |
| 27 | 8402-026 | Thermal Cutoff | 4 | 4 | 4 |
| 28 | 8402-012 | Linit | x | x | x |

Date: 7-26-91
Supersedes:

CONTROL PANEL



Date: 7-26-91
Supersedes:

CONTROL PANEL

| Dwg. No. | Part No. | Description | P 6 O A 6 C 1 8 H | P 7 2 A 1 C 1 8 H | P 7 2 A 1 F 1 4 H |
|----------|----------|-----------------------------|--|--|--|
| 1 | 116X128 | Low Voltage Box | | x | x |
| 1 | 116Y128 | Low Voltage Box | x | | |
| 2 | 8201-008 | Fan Relay | x | x | |
| 3 | 8201-008 | Interlock Relay | x | x | |
| 4 | 8607-017 | Terminal Block | x | x | |
| 5 | 8607-013 | Terminal Block | | | 2 |
| 5 | 8607-014 | Terminal Block | x | x | |
| 6 | 8407-034 | Transformer | | | x |
| 6 | 8407-035 | Transformer | x | x | |
| 7 | 8607-006 | Terminal Strip | x | x | x |
| 8 | 8552-005 | Capacitor 10/370 Blower | | | x |
| 8 | 8552-004 | Capacitor 7-1/2 /370 Blower | x | x | |
| 9 | 8201-008 | Blower Relay | x | x | |
| 9 | 8201-009 | Blower Relay | | | x |
| 10 | 8401-002 | Contactoer | x | x | x |
| 11 | 516Y127 | Control Panel | x | | |
| 11 | 516X127 | Control Panel | | x | x |
| 12 | 8552-005 | Capacitor 10/370 | x | x | x |
| 13 | 8607-015 | Phenolic Insulator | x | x | |
| 13 | 134-051 | Terminal Block Barrier | | | 2 |
| 14 | 8611-006 | Ground Terminal | x | x | x |
| 15 | 8401-002 | Heat Contactoer | 2 | 2 | 2 |
| 16 | 8614-041 | Fuse Block | x | x | |
| | 4064-312 | Wiring Diagram | x | | |
| | 4064-313 | Wiring Diagram | | x | |
| | 4064-612 | Wiring Diagram | | | x |

Date: 7-26-91
Supersedes:

