
Replacement Parts Manual

Package Air Conditioners

Models:

P1142A2 P1148A1
P1148A1-B P1148A1-C
P1060A1 P1060A1-B
P106A1-C

General Notes

- Revised and/or additional pages may be issued from time to time.
- A complete and current manual consists of pages shown in the following contents section.

Important

- Contact the installing and/or local Bard distributor for all parts requirements. Make sure you have the complete model and serial number available from the unit rating plates.

Contents

Description	Page
Cabinet Components	
• Exploded View	1
• Usage List	2
Functional Components	
• Exploded View	3
• Usage Lists	4
• Usage Lists	5
• Blank Page	6
Control Panel Layout	
• Exploded View	7
• Usage Lists	8
• Usage Lists	9

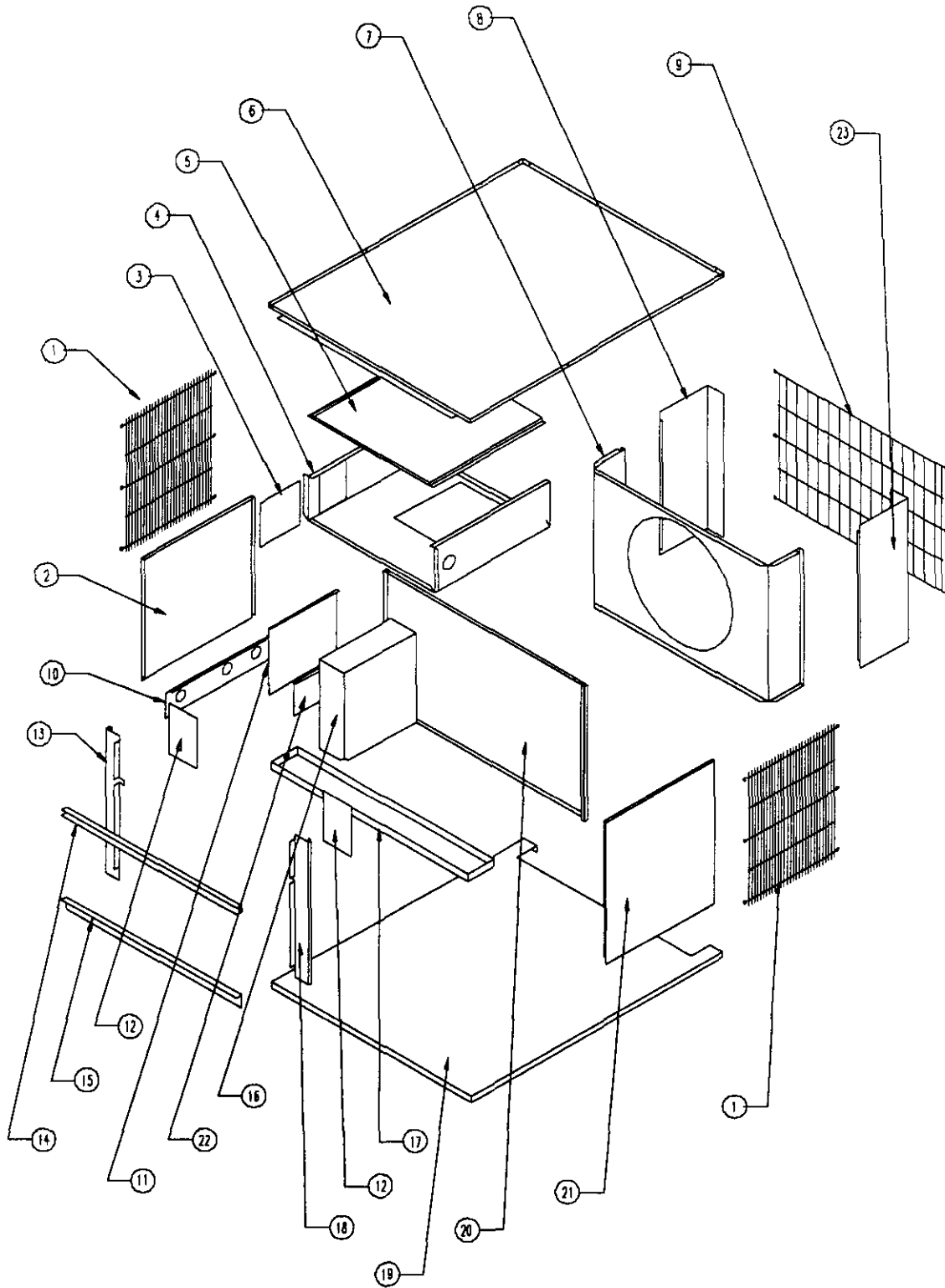


BARD MANUFACTURING COMPANY
Bryan, Ohio 43506

Since 1914...Moving ahead, just as planned.

Manual: 2110-210D
File: Tab 10
Date: 07-25-97

CABINETS COMPONENTS

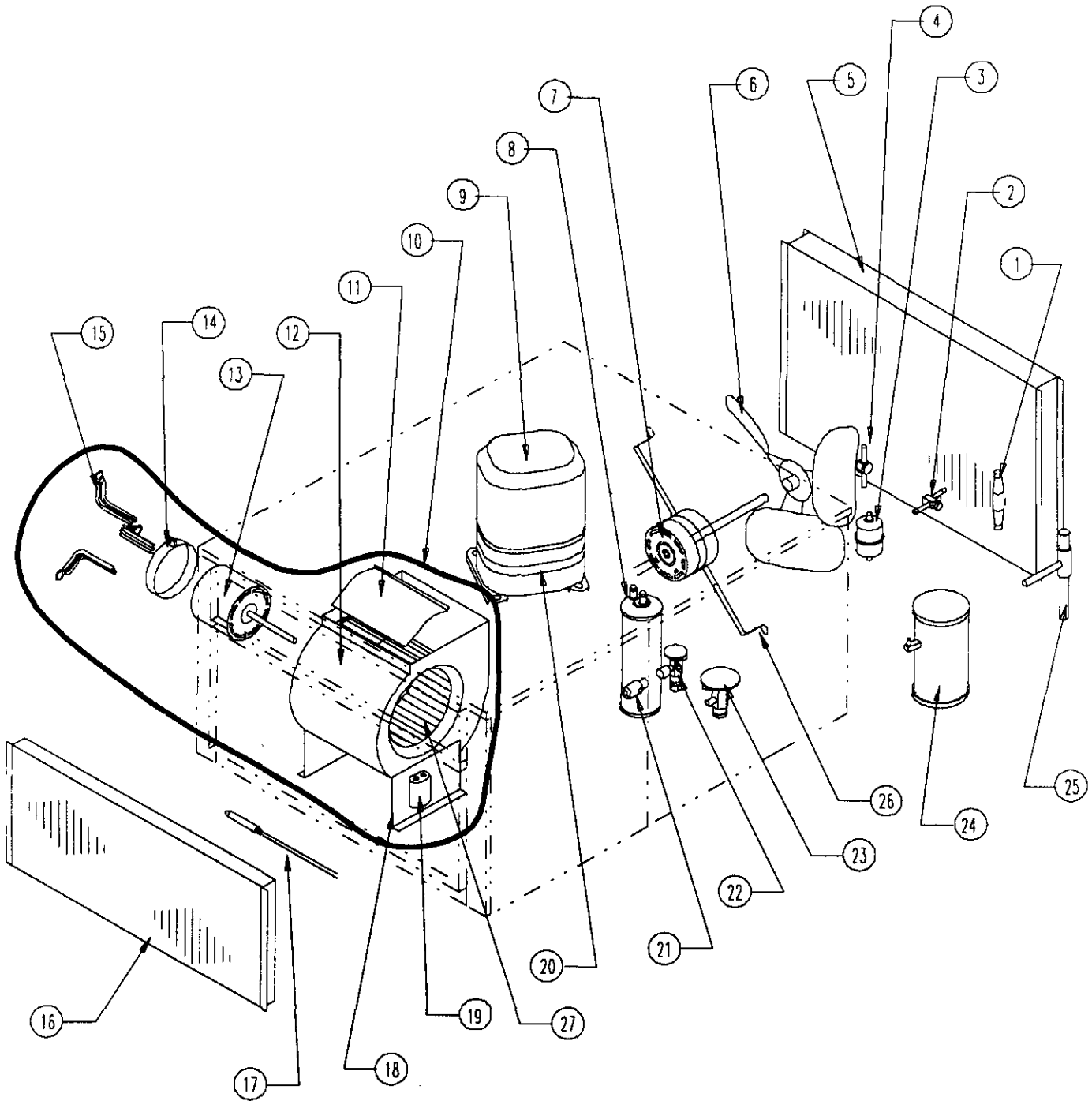


SEXP-204

CABINET COMPONENTS

Drawing No	Part No.	Description	U S A G E	
1	7051-007	Inlet Grille	2	
2	500-272	Left Side	X	
3	142-045	Cover Plate - OKW	X	
4	520-240	Blower Partion	X	
5	134-134	Heat Strip Shield	X	
6	506-146	Top	X	
7	124-027	Fan Shroud	X	
8	148-079	Left Rear Corner	X	
9	7051-005	Condenser Grille	X	
10	556-026	Entrance Panel	X	
11	132-035	Control Panel Cover	X	
12	136-246	Blower Fill Plates	2	
13	548-077	Left Front Cover	X	
14	164-502	Plenum Channel	X	
15	104-525	Plenum Angle	X	
16	Control Panel Assembly	See Control Panel Drawing and Parts List		
17	122-084	Drain Pan	X	
18	548-076	Right Front Cover	X	
19	527-221	Base	X	
20	520-239	Compressor Partition	X	
21	500-271	Right Side	X	
22	142-044	Entrance Cover	X	
23	148-078	Right Rear Corner	X	

FUNCTIONAL COMPONENTS



SEXP-200

FUNCTIONAL COMPONENTS

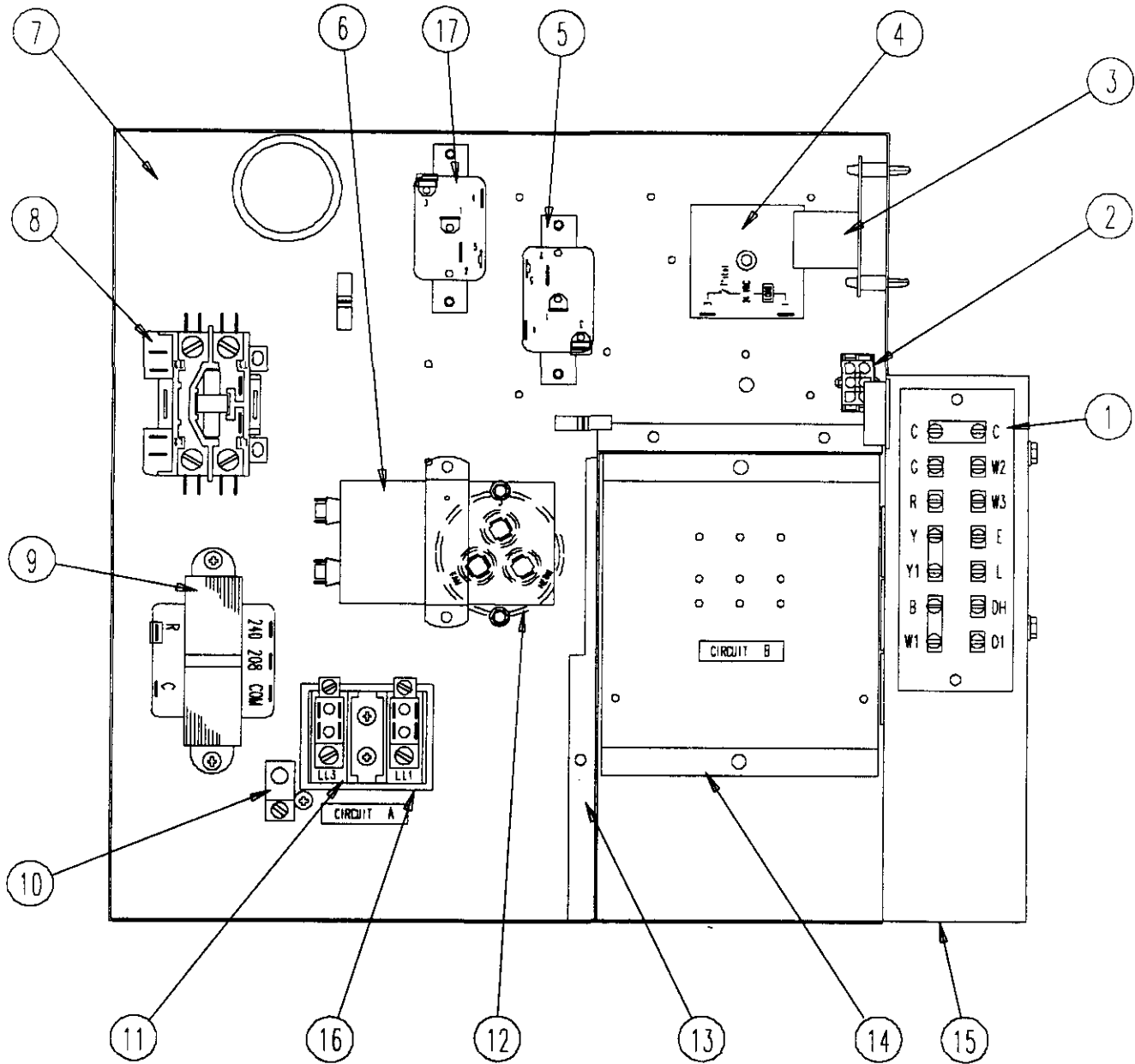
Drawing No	Part No.	Description	P1142A2	P1148A1	P1148A1-B	P1148A1-C	P1060A1	P1060A1-B	P1160A1-C
1	5651-016	PDV							
1	5651-107	PDV							
2	5651-051	Shut Off Valve							
3	5201-002	Filter/Drier							
4	5201-014	Sight Glass							
5	5051-083	Condenser Coil		X	X	X			
5	5051-074	Condenser Coil					X	X	X
5	5051-078	Condenser Coil	X						
6	5151-027	Fan Blade	X	X	X	X	X	X	X
7	8105-039	Motor	X	X	X		X	X	
7	8105-030	Motor				X			X
8	5202-018	Accumulator							
9	8000-153	Compressor					X		
9	8000-154	Compressor						X	
9	8000-155	Compressor							X
9	8000-109	Compressor	X						
9	8000-149	Compressor		X					
9	8000-156	Compressor			X				
9	8000-157	Compressor				X			
10	900-0190	Complete Blower Assembly		X	X		X	X	
10	900-0191	Complete Blower Assembly	X						
10	900-0192	Complete Blower Assembly				X			X
11	114-130	Diffuser	X	X	X	X	X	X	X
12	151-097	Blower Housing	X	X	X	X	X	X	X
13	8106-031	Motor	X	X	X		X	X	
13	8106-032	Motor				X			X
14	8200-033	Motor Mount Band	X	X	X	X	X	X	X
15	8200-034	Motor Mount Arms	3	3	3	3	3	3	3
16	5060-071	Evaporator	X	X	X	X			
16	5060-071	Evaporator (serial no. prior to L95)					X	X	X
16	5060-082	Evaporator (serial no. beginning L95)					X	X	X
17	800-0215	Capillary Tube Assembly		X	X	X			
17	800-0216	Capillary Tube Assembly (s/n prior to L95)					X	X	X
17	800-0222	Capillary Tube Assembly	X						
17	800-0223	Capillary Tube Assembly (s/n beginning L95)					X	X	X
18	104-795	Blower Angles	X	X	X	X	X	X	X
19	8552-005	Capacitor 5/3	X	X	X	X	X	X	X
20	8605-012	Crankcase H							
21	5651-109	Distributor							
21	5651-108	Distributor							
22	5651-101	TXV							
22	5651-082	TXV							
23	5651-064	Hot Gas Bypass Valve							
24	5203-006	Receiver							
25	5651-015	Head Pressure Control							
26	8200-004	Motor Mount	X	X	X	X	X	X	X
27	5152-049	Blower Wheel		X	X	X	X	X	X
27	5152-071	Blower Wheel	X						

FUNCTIONAL COMPONENTS

Drawing No	Part No.	Description	P1148A1-A/H	P1148A1-B/H	P1060A1-A/H	P1060A1-B/H	P1060A1-C/H
1	5651-016	PDV	X	X			
1	5651-107	PDV			X	X	X
2	5651-051	Shut Off Valve	X	X	X	X	X
3	5201-002	Filter/Drier	X	X	X	X	X
4	5201-014	Sight Glass	X	X	X	X	X
5	5051-083	Condenser Coil	X	X			
5	5051-074	Condenser Coil			X	X	X
5	5051-074	Condenser Coil					
6	5151-027	Fan Blade	X	X	X	X	X
7	8105-039	Motor	X	X	X	X	
7	8105-030	Motor					X
8	5202-018	Accumulator	X	X	X	X	X
9	8000-153	Compressor			X		
9	8000-154	Compressor				X	
9	8000-155	Compressor					X
9	8000-109	Compressor					
9	8000-149	Compressor	X				
9	8000-156	Compressor		X			
9	8000-157	Compressor					
10	900-0190	Complete Blower Assembly	X	X	X	X	
10	900-0191	Complete Blower Assembly					
10	900-0192	Complete Blower Assembly					X
11	114-130	Diffuser	X	X	X	X	X
12	151-097	Blower Housing	X	X	X	X	X
13	8106-031	Motor	X	X	X	X	
13	8106-032	Motor					X
14	8200-033	Motor Mount Band	X	X	X	X	X
15	8200-034	Motor Mount Arms	3	3	3	3	3
16	5060-071	Evaporator	X	X			
16	5060-071	Evaporator (serial no. prior to L95)			X	X	X
16	5060-082	Evaporator (serial no. beginning L95)			X	X	X
17	800-0215	Capillary Tube Assembly					
17	800-0216	Capillary Tube Assembly					
17	800-0222	Capillary Tube Assembly					
17	800-0223	Capillary Tube Assembly					
18	104-795	Blower Angles	X	X	X	X	X
19	8552-005	Capacitor 5/370	X	X	X	X	X
20	8605-012	Crankcase Heater	X	X	X	X	X
21	5651-109	Distributor	X	X			
21	5651-108	Distributor			X	X	X
22	5651-101	TXV	X	X			
22	5651-082	TXV			X	X	X
23	5651-064	Hot Gas Bypass Valve	X	X	X	X	X
24	5203-006	Receiver	X	X	X	X	X
25	5651-015	Head Pressure Control	X	X	X	X	X
26	8200-004	Motor Mount	X	X	X	X	X
27	5152-049	Blower Wheel	X	X	X	X	X
27	5152-071	Blower Wheel					

**This page has been left
blank intentionally.**

CONTROL PANEL COMPONENTS



SEXP-203

CONTROL PANEL COMPONENTS

Drawing No	Part No.	Description	P1142A2	P1148A1	P1148A1-B	P1148A1-C	P1060A1	P1060A1-B	P1160A1-C
1	8607-018	Terminal Strip	X	X	X	X	X	X	X
2	9000-988	Wire Assembly	X	X	X	X	X	X	X
3	8201-056	Solid State Blower Control	X	X	X		X	X	
3	8201-032	Blower Relay				X			X
4	8201-050	Time Delay Relay	X	X	X	X	X	X	X
5	8201-034	Impedance Relay	X	X	X	X	X	X	X
6	8552-005	Capacitor 10-370			X	X		X	X
7	516-147	Control Panel	X	X	X	X	X	X	X
8	8401-016	Contactor		X			X		
8	8401-002	Contactor			X	X		X	X
8	8401-007	Contactor	X						
9	8407-034	Transformer	X	X	X		X	X	
9	8407-042	Transformer				X			X
10	8611-006	Ground Terminal	X	X	X	X	X	X	X
11	8607-013	Terminal Block	X	X			X		
11	8607-014	Terminal Block			X	X		X	X
12	8552-059	Capacitor 60/10-370		X					
12	8552-058	Capacitor 80/10-370					X		
12	8552-057	Capacitor 35/10-440	X						
13	116-149	Control Panel Partition	X	X	X	X	X	X	X
14	116-150	Terminal Block Support	X	X	X	X	X	X	X
15	116-148	Low Voltage Box	X	X	X	X	X	X	X
16	8607-015	Phenolic Insulator				X			X
17	8201-009	Blower Relay							
NS	4064-116	Wiring Diagram		X			X		
NS	4064-213	Wiring Diagram			X			X	
NS	4064-314	Wiring Diagram				X			X
NS	4064-115	Wiring Diagram	X						
NS	4064-117	Wiring Diagram							
NS	4064-214	Wiring Diagram							
NS	4064-315	Wiring Diagram							

NS Not Shown

CONTROL PANEL COMPONENTS

Drawing No	Part No.	Description	P1148A1-A/H	P1148A1-B/H	P1060A1-A/H	P1060A1-B/H	P1060A1-C/H
1	8607-018	Terminal Strip	X	X	X	X	X
2	9000-988	Wire Assembly	X	X	X	X	X
3	8201-056	Solid State Blower Control	X	X	X	X	
3	8201-032	Blower Relay					X
4	8201-050	Time Delay Relay	X	X	X	X	X
5	8201-034	Impedance Relay	X	X	X	X	X
6	8552-005	Capacitor 10-370		X		X	X
7	516-147	Control Panel	X	X	X	X	X
8	8401-016	Contactora			X		
8	8401-002	Contactora	X	X		X	X
8	8401-007	Contactora					
9	8407-034	Transformer	X	X	X	X	
9	8407-042	Transformer					X
10	8611-006	Ground Terminal	X	X	X	X	X
11	8607-013	Terminal Block	X		X		
11	8607-014	Terminal Block		X		X	X
12	8552-059	Capacitor 60/10-370	X				
12	8552-058	Capacitor 80/10-370			X		
12	8552-057	Capacitor 35/10-440					
13	116-149	Control Panel Partition	X	X	X	X	X
14	116-150	Terminal Block Support	X	X	X	X	X
15	116-148	Low Voltage Box	X	X	X	X	X
16	8607-015	Phenolic Insulator					X
17	8201-009	Blower Relay	X	X	X	X	X
NS	4064-116	Wiring Diagram					
NS	4064-213	Wiring Diagram					
NS	4064-314	Wiring Diagram					
NS	4064-115	Wiring Diagram					
NS	4064-117	Wiring Diagram	X		X		
NS	4064-214	Wiring Diagram		X		X	
NS	4064-315	Wiring Diagram					X

NS Not Shown