
Replacement Parts Manual

PACKAGE AIR CONDITIONERS

MODELS: P60A7-C18HD021
P72A2-C18HD021
P72A2-F14HD021

General Notes

- Revised and/or additional pages may be issued from time to time.
- A complete and current manual consists of pages shown in the following contents section.

Important

- Contact the installing and/or local Bard distributor for all parts requirements. Make sure you have the complete model and serial number available from the unit rating plates.

Contents

Description	Page
Cabinet Components	
♦ Exploded View	1
♦ Usage List	2
 Cabinet Components	
♦ Exploded View	3
♦ Usage List	4
 Functional Components	
♦ Exploded View	5
♦ Usage List	6
 Control Panel	
♦ Exploded View	7
♦ Usage List	8

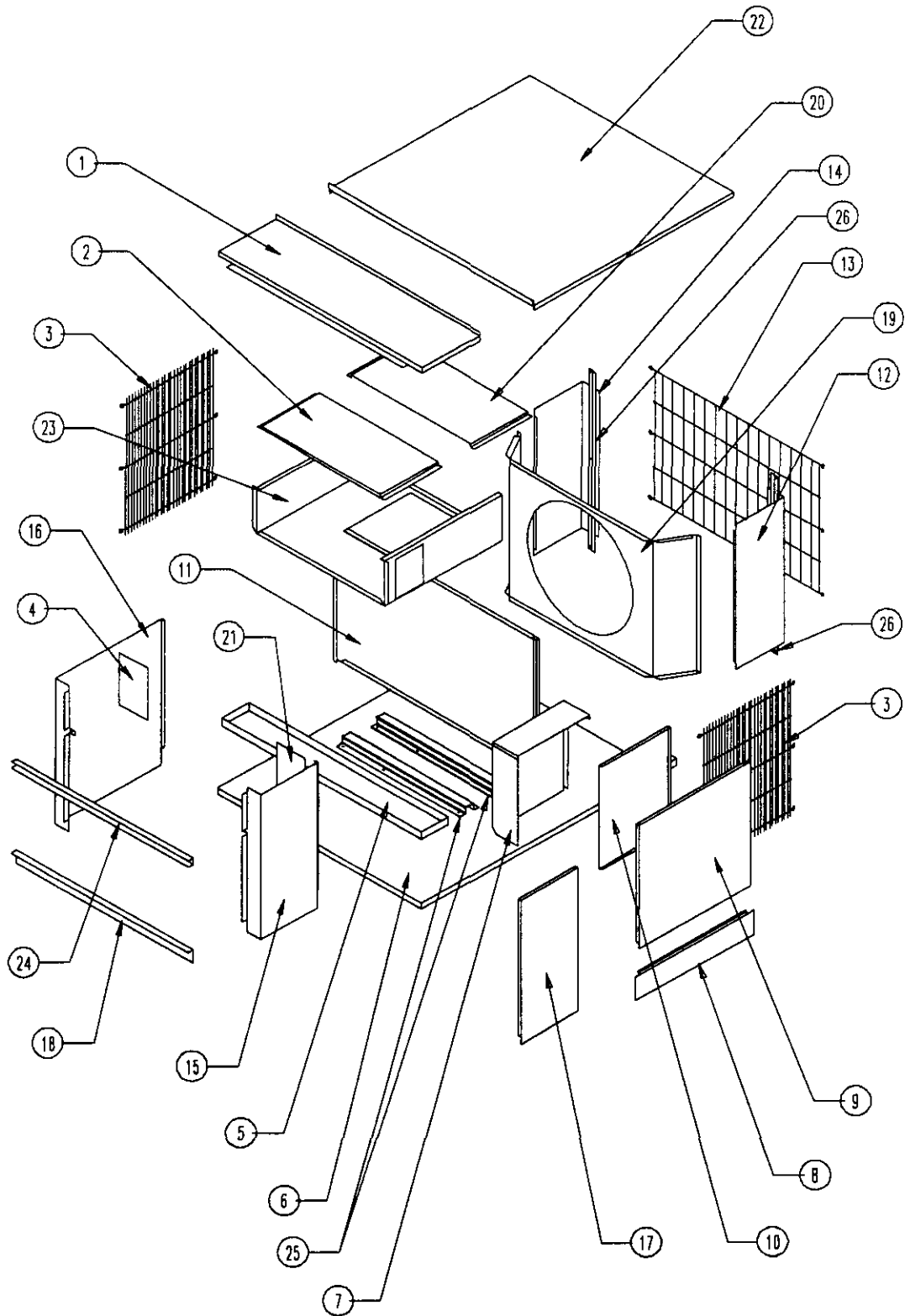


BARD MANUFACTURING COMPANY
Bryan, Ohio 43506

Since 1914...Moving ahead, just as planned.

Manual: 2110-211
File: Vol II Tab 10
Date: 12-15-97

CABINET COMPONENTS

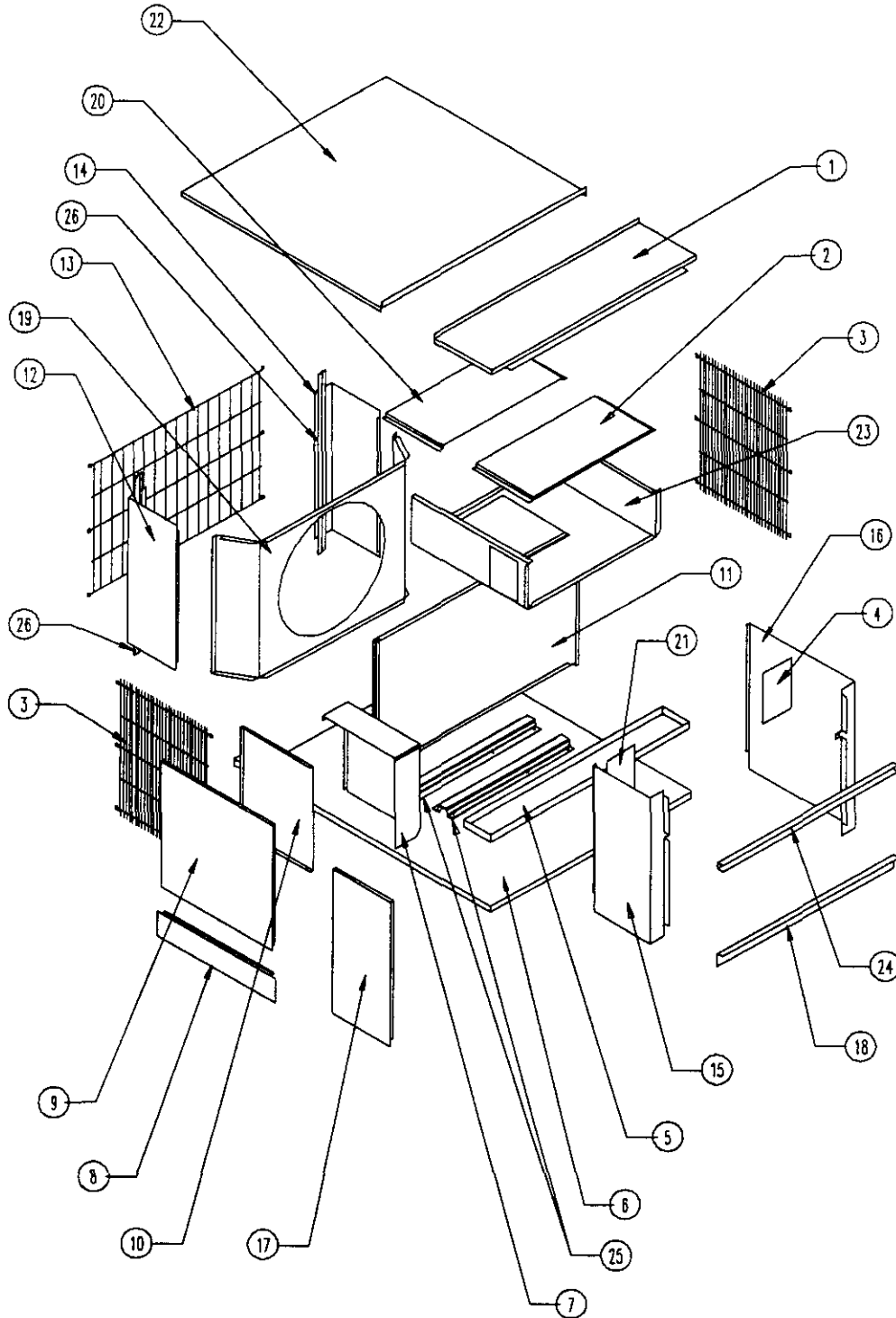


SEXP-288

FUNCTIONAL and CABINET COMPONENTS

Drawing No.	Part No.	Description	P60A7
1	507-215-1	Top – Front	X
2	134-117	Heat Strip Shield	X
3	520-326	Blower Partition	X
4	7051-007	Side Grille	2
5	501-357-1	Right Side	X
6	123-100	Drain Pan	X
7	527-295-1	Base	X
8	Control Panel	See Control Panel Drawing and Parts Lists	X
9	537-407-1	Bottom Fill Panel	X
10	553-314-1	Service Door Assembly	X
11	132Y154	Control Panel Cover	X
12	521-327-1	Compressor Partition	X
13	149-089-1	Left Rear Corner	X
14	7051-005	Condenser Grille	X
15	149-090-1	Right Rear Corner	X
16	549-091-1	Left Front Corner	X
17	549-092-1	Right Front Corner	X
18	163-561-1	Plenum Channel	X
19	105-1030-1	Plenum Angle	X
20	125-010-1	Fan Shroud	X
21	134-118	Heat Strip Shield	X
22	136-406	Left Side Fill	X
23	507-216-1	Top Assembly Back	X
24	136-405	Right Side Fill	X
25	164-554	Blower Mounting Angle	2
26	102-428	Corner Offset	2

CABINET COMPONENTS

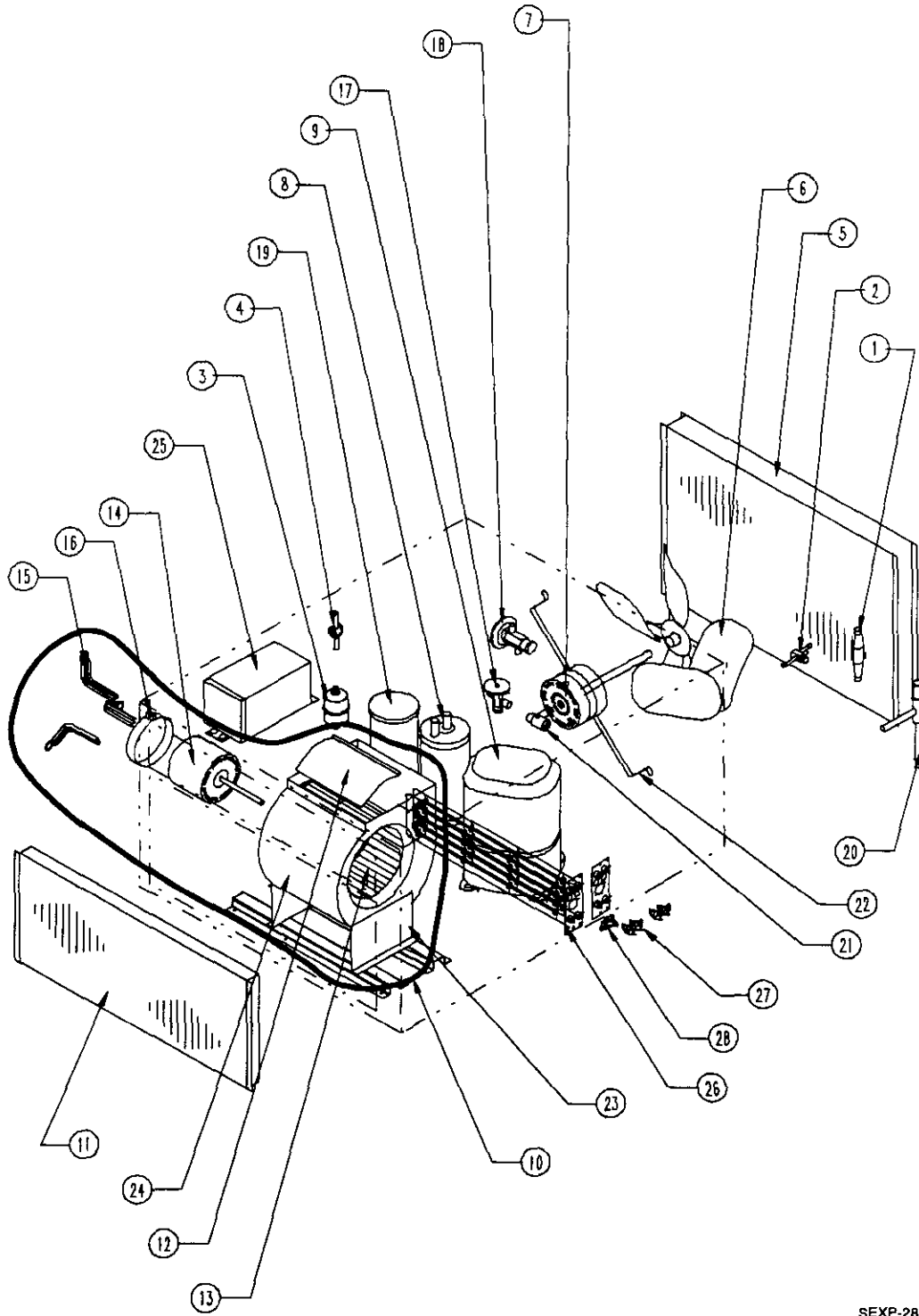


SEXP-287

CABINET COMPONENTS

Drawing No.	Part No.	Description	P72A2
1	507-215-1	Top – Front	X
2	134-117	Heat Strip Shield	X
3	7051-007	Side Grille	2
4	136-406	Side Fill	X
5	123-100	Drain Pan	X
6	527-295-1	Base	X
7	Control Panel	See Control Panel Drawing and Parts Lists	X
8	537-407-1	Bottom Fill Panel	X
9	553-314-1	Service Door Assembly	X
10	132X154	Control Panel Cover	X
11	521-324-1	Compressor Partition	X
12	149-089-1	Left Rear Corner	X
13	7051-005	Condenser Grille	X
14	149-090-1	Right Rear Corner	X
15	549-087-1	Left Front Corner	X
16	549-088-1	Right Front Corner	X
17	501-356-1	Left Side	X
18	105-1030-1	Plenum Angle	X
19	125-010-1	Fan Shroud	X
20	134-118	Heat Shield	X
21	136-405	Right Side Fill	X
22	506-216-1	Top Back	X
23	520-325	Blower Partition	X
24	165-561-1	Plenum Channel	X
25	164-553	Blower Mounting Angle	2
26	102-428	Corner Offset	2

FUNCTIONAL COMPONENTS

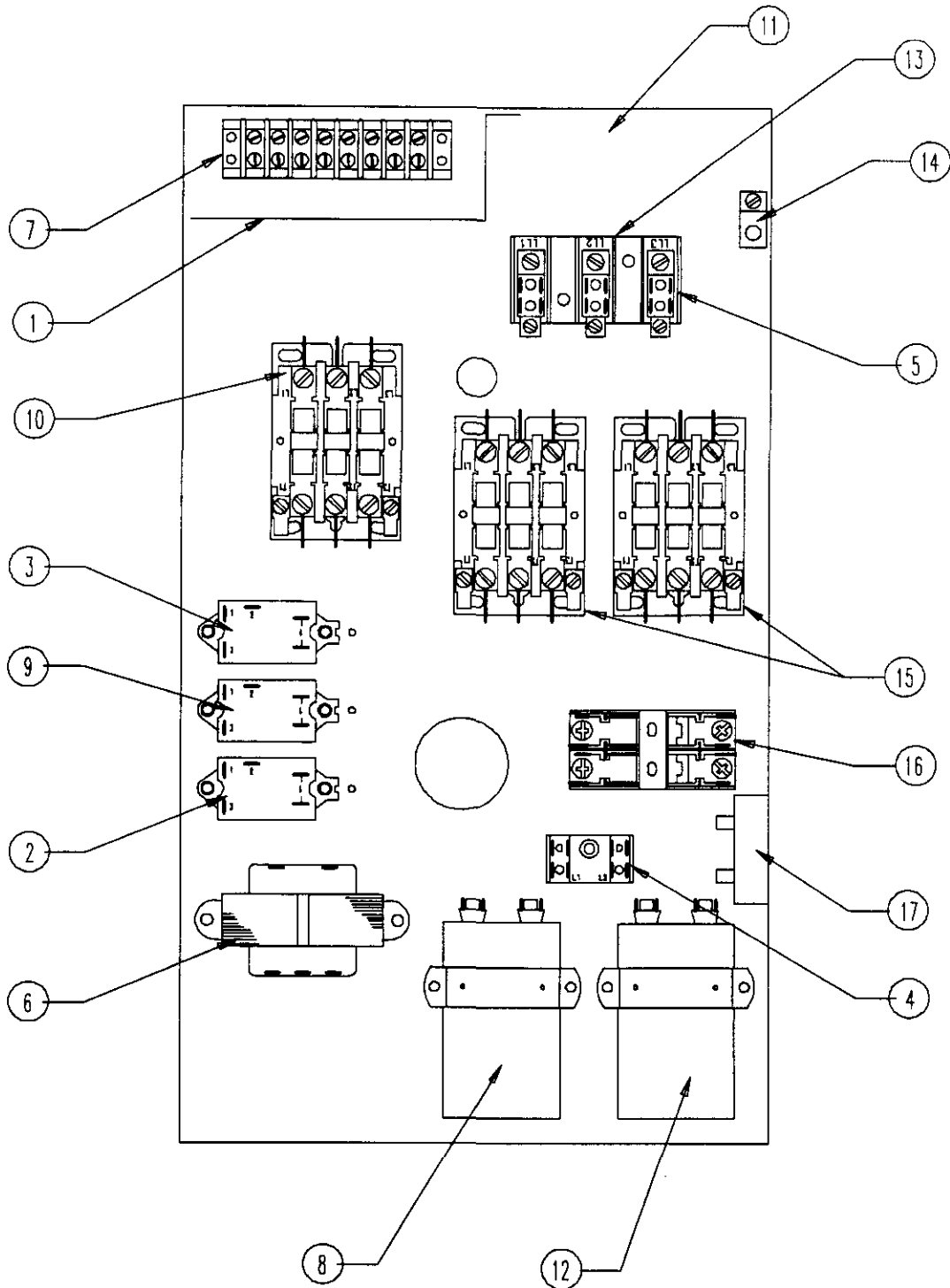


SEXP-289

FUNCTIONAL COMPONENTS

Drawing No.	Part No.	Description	P60A7-C18H	P72A2-C18H	P72A2-F14H
1	5651-016	Pressure Differential Valve	X	X	X
2	5651-051	Shutoff Valve	X	X	X
3	5201-002	Filter Drier	X	X	X
4	5201-014	Sight Glass	X	X	X
5	5051-028	Condenser Coil	X	X	X
6	5151-026	Fan Blade			X
6	5151-030	Fan Blade	X	X	
7	8106-016	Motor	X	X	
7	8105-014	Motor			X
8	5202-017	Accumulator	X	X	X
9	8000-048	Compressor	X		
9	8000-124	Compressor		X	X
10	S900-168	Compressor Blower Assembly	X	X	X
11	5060-056	Evaporator Coil		X	X
11	5060-025	Evaporator Coil	X		
12	144-130	Blower Diffuser	X	X	X
13	5152-088	Blower Wheel	X	X	X
14	8108-002	Motor	X	X	X
15	8200-034	Motor Mount Arm	3	3	3
16	8200-033	Motor Mount Band	X	X	X
17	5651-040	Expansion Valve	X		
17	5651-082	Expansion Valve		X	X
18	5651-014	Bypass Valve		X	X
18	5651-064	Bypass Valve	X		
19	5203-006	Receiver	X	X	X
20	5651-015	Head Pressure Control Valve	X	X	X
21	5651-081	Distributor		X	X
21	5651-008	Distributor	X		
22	8200-004	Fan Motor Mount	X	X	X
23	104-959	Blower Leg	2	2	2
24	151-108	Blower Housing	X	X	X
25	8407-005	Transformer 460V	X	X	X
26	8604-101	Heat Strip	2	2	2
27	8402-095	One Shot Limit	4	4	4
28	8402-113	Limit	X	X	X

CONTROL PANEL



SEXP-153

CONTROL PANEL

Drawing No.	Part No.	Description	P60A7-C18H	P72A2-C18H	P72A2-F14H
1	116X128	Low Voltage Box		X	X
1	116Y128	Low Voltage Box	X		
2	8201-008	Fan Relay	X	X	X
3	8201-008	Interlock Relay	X	X	X
4	8607-017	Terminal Block	X	X	X
5	8607-014	Terminal Block	X	X	X
6	8407-035	Transformer	X	X	X
7	8607-006	Terminal Strip	X	X	X
8	8552-026	Capacitor 15/370 Blower	X	X	X
9	8201-008	Blower Relay	X	X	X
10	8401-002	Contactora	X	X	X
11	516Y127	Control Panel	X		
11	516X127	Control Panel		X	X
12	8552-005	Fan Capacitor 10/370	X	X	X
13	8607-015	Phenolic Insulator	X	X	X
14	8611-006	Ground Terminal	X	X	X
15	8401-002	Heat Contactora	2	2	2
16	8614-041	Fuse Block	X	X	X
17	8201-067	Time Delay Relay	X	X	X
NS	4064-316	Wiring Diagram	X		
NS	4064-317	Wiring Diagram		X	X

