

---

# PACKAGE AIR CONDITIONERS

## REPLACEMENT PARTS MANUAL

### Models:

P1142A3            P1148A1  
P1148A1-B        P1148A1-C  
P1060A1           P1060A1-B  
P1060A1-C        P1148A1-A/H  
P1148A1-B/H      P1148A1-C/H  
P1060A1-A/H      P1060A1-B/H  
P106A1-C/H

---

### General Notes

- Revised and/or additional pages may be issued from time to time.
- A complete and current manual consists of pages shown in the following contents section.

### Important

- Contact the installing and/or local Bard distributor for all parts requirements. Make sure you have the complete model and serial number available from the unit rating plates.

### Contents

Description	Page
Cabinet Components	
♦ Exploded View .....	1
♦ Usage List .....	2
Functional Components	
♦ Exploded View .....	3
♦ Usage Lists .....	4
♦ Usage Lists .....	5
♦ Blank Page .....	6
Control Panel Layout	
♦ Exploded View .....	7
♦ Usage Lists .....	8
♦ Usage Lists .....	9



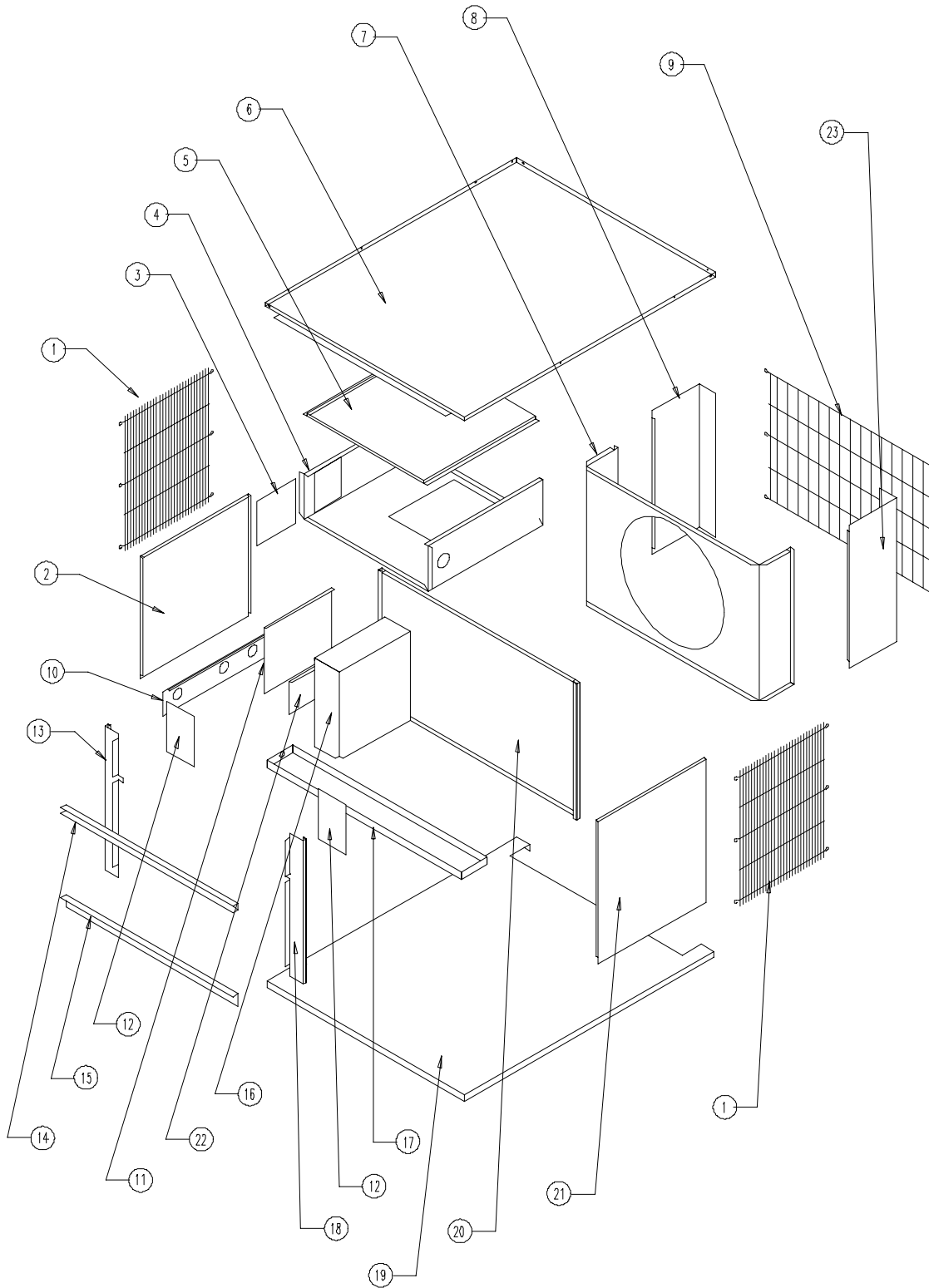
**BARD MANUFACTURING COMPANY**  
Bryan, Ohio 43506

*Since 1914...Moving ahead, just as planned.*

Manual: 2110-213D  
Supersedes: 2110-213C  
File: Tab 10  
Date: 09-20-01

---

# CABINETS COMPONENTS

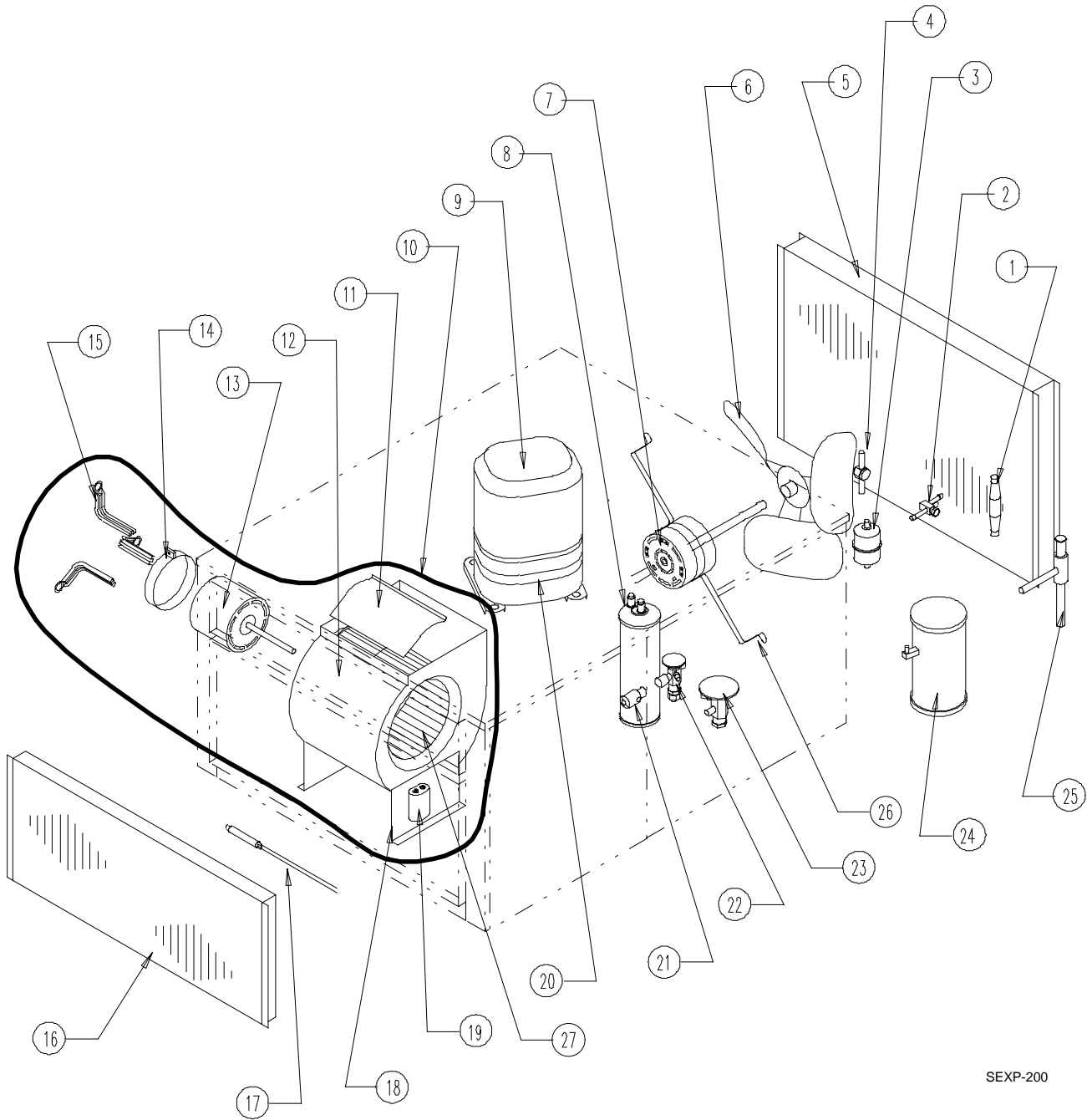


SEXP-204

# CABINET COMPONENTS

<b>Drawing No</b>	<b>Part No.</b>	<b>Description</b>	<b>U S A G E</b>
1	7051-007	Inlet Grille	2
2	501-272-X	Left Side	X
3	142-045	Cover Plate – 0KW	X
4	520-240	Blower Partion	X
5	134-134	Heat Strip Shield	X
6	507-146-X	Top	X
7	125-027-X	Fan Shroud	X
8	149-079-X	Left Rear Corner	X
9	7051-005	Condenser Grille	X
10	557-026-X	Entrance Panel	X
11	133-035-X	Control Panel Cover	X
12	136-246	Blower Fill Plates	2
13	549-077-X	Left Front Cover	X
14	165-502-X	Plenum Channel	X
15	105-525-X	Plenum Angle	X
16	Control Panel Assembly	See Control Panel Drawing and Parts List	X
17	123-084-X	Drain Pan	X
18	549-076-X	Right Front Cover	X
19	527-221	Base	X
20	521-239-X	Compressor Partition	X
21	501-271-X	Right Side	X
22	142-044	Entrance Cover	X
23	149-078-X	Right Rear Corner	X

# FUNCTIONAL COMPONENTS



SEXP-200

**This Exploded View references Tables on pages 4 and 5**

## FUNCTIONAL COMPONENTS

Drawing No	Part No.	Description	P1142A3	P1148A1	P1148A1-B	P1148A1-C	P1060A1	P1060A1-B	P1060A1-C
1	5651-016	PDV							
1	5651-107	PDV							
2	5651-051	Shut Off Valve							
3	5201-002	Filter/Drier							
4	5201-014	Sight Glass							
5	5051-083	Condenser Coil		X	X	X			
5	5051-074	Condenser Coil					X	X	X
5	5051-078	Condenser Coil	X						
6	5151-027	Fan Blade	X	X	X	X	X	X	X
7	8105-039	Motor	X	X	X		X	X	
7	8105-030	Motor				X			X
8	5202-018	Accumulator							
9	8000-153	Compressor					X		
9	8000-154	Compressor						X	
9	8000-155	Compressor							X
9	8000-176	Compressor	X						
9	8000-149	Compressor		X					
9	8000-156	Compressor			X				
9	8000-157	Compressor				X			
10	900-190	Complete Blower Assembly		X	X		X	X	
10	900-191	Complete Blower Assembly	X						
10	900-192	Complete Blower Assembly				X			X
11	114-130	Diffuser	X	X	X	X	X	X	X
12	151-097	Blower Housing	X	X	X	X	X	X	X
13	8106-031	Motor	X	X	X		X	X	
13	8106-032	Motor				X			X
14	8200-033	Motor Mount Band	X	X	X	X	X	X	X
15	8200-034	Motor Mount Arms	3	3	3	3	3	3	3
16	5060-070	Evaporator	X	X	X	X			
16	5060-071	Evaporator (serial no. prior to L95)					X	X	X
16	5060-082	Evaporator (serial no. beginning L95)					X	X	X
17	800-0215	Capillary Tube Assembly		X	X	X			
17	800-0216	Capillary Tube Assembly (s/n prior to L95)					X	X	X
17	800-0222	Capillary Tube Assembly	X						
17	800-0310	Distributor Assembly					X	X	X
18	104-795	Blower Angles	X	X	X	X	X	X	X
19	8552-005	Capacitor 5/370	X	X	X	X	X	X	X
20	8605-012	Crankcase Heater							
21	5651-109	Distributor							
21	5651-108	Distributor							
22	5651-101	TXV							
22	5651-082	TXV							
23	5651-064	Hot Gas Bypass Valve							
24	5203-006	Receiver							
25	5651-015	Head Pressure Control							
26	8200-004	Motor Mount	X	X	X	X	X	X	X
27	5152-049	Blower Wheel		X	X	X	X	X	X
27	5152-071	Blower Wheel	X						

**This Table references Exploded View on page 3**

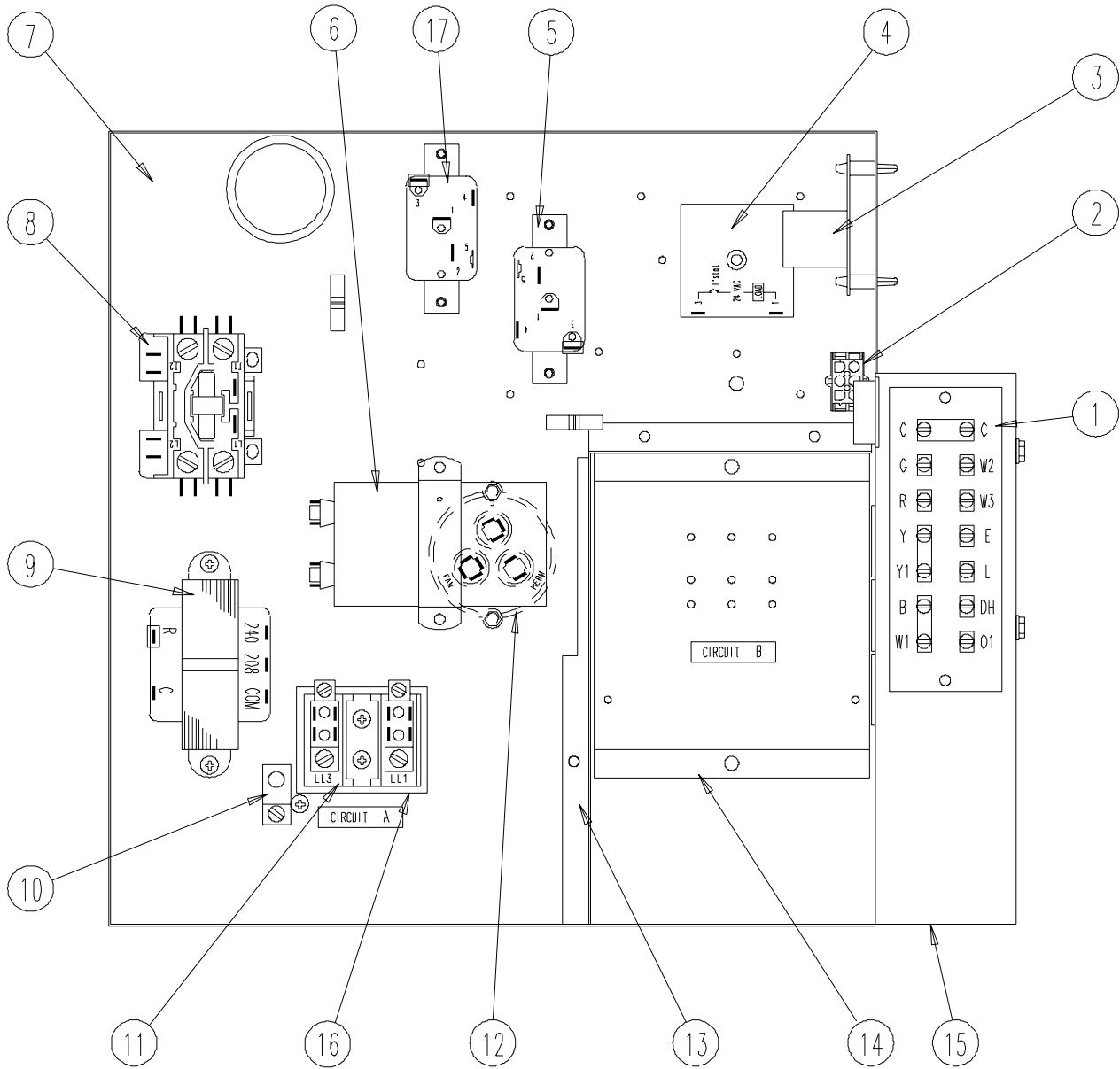
# FUNCTIONAL COMPONENTS

Drawing No	Part No.	Description	P1148A1-A/H	P1148A1-B/H	P1148A1-C/H	P1060A1-A/H	P1060A1-B/H	P1060A1-C/H
1	5651-016	PDV	X	X	X			
1	5651-107	PDV				X	X	X
2	5651-051	Shut Off Valve	X	X	X	X	X	X
3	5201-002	Filter/Drier	X	X	X	X	X	X
4	5201-014	Sight Glass	X	X	X	X	X	X
5	5051-083	Condenser Coil	X	X	X			
5	5051-074	Condenser Coil				X	X	X
6	5151-027	Fan Blade	X	X	X	X	X	X
7	8105-039	Motor	X	X		X	X	
7	8105-030	Motor			X			X
8	5202-018	Accumulator	X	X	X	X	X	X
9	8000-153	Compressor				X		
9	8000-154	Compressor					X	
9	8000-155	Compressor						X
9	8000-149	Compressor	X					
9	8000-156	Compressor		X				
9	8000-157	Compressor				X		
10	900-0190	Complete Blower Assembly	X	X		X	X	
10	900-0192	Complete Blower Assembly			X			X
11	114-130	Diffuser	X	X	X	X	X	X
12	151-097	Blower Housing	X	X	X	X	X	X
13	8106-031	Motor	X	X		X	X	
13	8106-032	Motor			X			X
14	8200-033	Motor Mount Band	X	X	X	X	X	X
15	8200-034	Motor Mount Arms	3	3	3	3	3	3
16	5060-071	Evaporator	X	X	X			
16	5060-071	Evaporator (serial no. prior to L95)				X	X	X
16	5060-082	Evaporator (serial no. beginning L95)				X	X	X
18	104-795	Blower Angles	X	X	X	X	X	X
19	8552-005	Capacitor 5/370	X	X	X	X	X	X
20	8605-012	Crankcase Heater	X	X		X	X	
20	8605-013	Crankcase Heater			X			X
21	5651-109	Distributor	X	X	X			
21	5651-108	Distributor				X	X	X
22	5651-101	TXV	X	X	X			
22	5651-082	TXV				X	X	X
23	5651-014	Hot Gas Bypass Valve	X	X	X	X	X	X
24	5203-006	Receiver	X	X	X	X	X	X
25	5651-015	Head Pressure Control	X	X	X	X	X	X
26	8200-004	Motor Mount	X	X	X	X	X	X
27	5152-049	Blower Wheel	X	X	X	X	X	X

This Table references Exploded View on page 3

**This page has been left  
blank intentionally.**

# CONTROL PANEL COMPONENTS



SEXP-203

**This Exploded View references Tables on pages 8 and 9**



## CONTROL PANEL COMPONENTS

Drawing No	Part No.	Description	P1142A3	P1148A1	P1148A1-B	P1148A1-C	P1060A1	P1060A1-B	P1060A1-C
1	8607-025	Terminal Strip	X	X	X	X	X	X	X
2	8000-988	Wire Assembly	X	X	X	X	X	X	X
3	8201-056	Solid State Blower Control	X	X	X		X	X	
3	8201-032	Blower Relay				X			X
4	8201-050	Time Delay Relay	X	X	X	X	X	X	X
5	8201-034	Impedance Relay	X	X	X	X	X	X	X
6	8552-005	Capacitor 10-370			X	X		X	X
7	516-147	Control Panel	X	X	X	X	X	X	X
8	8401-016	Contactora		X			X		
8	8401-002	Contactora			X	X		X	X
8	8401-007	Contactora	X						
9	8407-034	Transformer	X	X	X		X	X	
9	8407-042	Tansformer				X			X
10	8611-006	Ground Terminal	X	X	X	X	X	X	X
11	8607-013	Terminal Block	X	X			X		
11	8607-014	Terminal Block			X	X		X	X
12	8552-059	Capacitor 60/10-370		X					
12	8552-058	Capacitor 80/10-370					X		
12	8552-056	Capacitor 55/10-440	X						
13	116-149	Control Panel Partition	X	X	X	X	X	X	X
14	116-150	Terminal Block Support	X	X	X	X	X	X	X
15	116-148	Low Voltage Box	X	X	X	X	X	X	X
16	8607-015	Phenolic Insulator				X			X
17	8201-009	Blower Relay							
NS	4064-116	Wiring Diagram		X			X		
NS	4064-213	Wiring Diagram			X			X	
NS	4064-314	Wiring Diagram				X			X
NS	4064-118	Wiring Diagram	X						
NS	4064-117	Wiring Diagram							
NS	4064-214	Wiring Diagram							
NS	4064-315	Wiring Diagram							

NS = Not Shown

This Table references Exploded View on page 7

# CONTROL PANEL COMPONENTS

Drawing No	Part No.	Description	P1148A1-A/H	P1148A1-B/H	P1148A1-C/H	P1060A1-A/H	P1060A1-B/H	P1060A1-C/H
1	8607-025	Terminal Strip	X	X	X	X	X	X
2	9000-988	Wire Assembly	X	X	X	X	X	X
3	8201-056	Solid State Blower Control	X	X		X	X	
3	8201-032	Blower Relay			X		X	
4	8201-050	Time Delay Relay	X	X	X	X	X	X
5	8201-034	Impedance Relay	X	X	X	X	X	X
6	8552-005	Capacitor 10-370		X	X		X	X
7	516-147	Control Panel	X	X	X	X	X	X
8	8401-016	Contacto	X			X		
8	8401-002	Contacto		X	X		X	X
9	8407-034	Transformer	X	X		X	X	
9	8407-042	Tansformer			X			X
10	8611-006	Ground Terminal	X	X	X	X	X	X
11	8607-013	Terminal Block	X			X		
11	8607-014	Terminal Block		X	X		X	X
12	8552-059	Capacitor 60/10-370	X					
12	8552-058	Capacitor 80/10-370				X		
13	116-149	Control Panel Partition	X	X	X	X	X	X
14	116-150	Terminal Block Support	X	X	X	X	X	X
15	116-148	Low Voltage Box	X	X	X	X	X	X
16	8607-015	Phenolic Insulator			X		X	
17	8201-009	Blower Relay	X	X	X	X	X	
NS	4064-117	Wiring Diagram	X			X		
NS	4064-214	Wiring Diagram		X			X	
NS	4064-315	Wiring Diagram			X			X

NS = Not Shown

**This Table references Exploded View on page 7**