
REPLACEMENT PARTS MANUAL

PACKAGE AIR CONDITIONER

Models:

P1124A2

P1224A1

P1130A2

P1230A1

P1136A2

P1236A1

P1136A1-B

P1236A1-B

P1136A1-C

P1136A1-A/H

P1136A1-B/H

P1136A1-C/H

General Notes

- Revised and/or additional pages may be issued from time to time.
- A complete and current manual consists of pages shown in the following contents section.

Important

- Contact the installing and/or local Bard distributor for all parts requirements. Make sure you have the complete model and serial number available from the unit rating plates.

Contents

Description	Page
Cabinet Components	
♦ Exploded View	1
♦ Usage List	2
Functional Components	
♦ Exploded View	3
♦ Usage List	4
♦ Usage List	5
♦ Blank Page	6
Control Panel	
♦ Exploded View	7
♦ Usage List	8
Control Panel	
♦ Exploded View	9
♦ Usage List	10
Control Panel	
♦ Exploded View	11
♦ Usage List	12
Control Panel	
♦ Exploded View	13
♦ Usage List	14



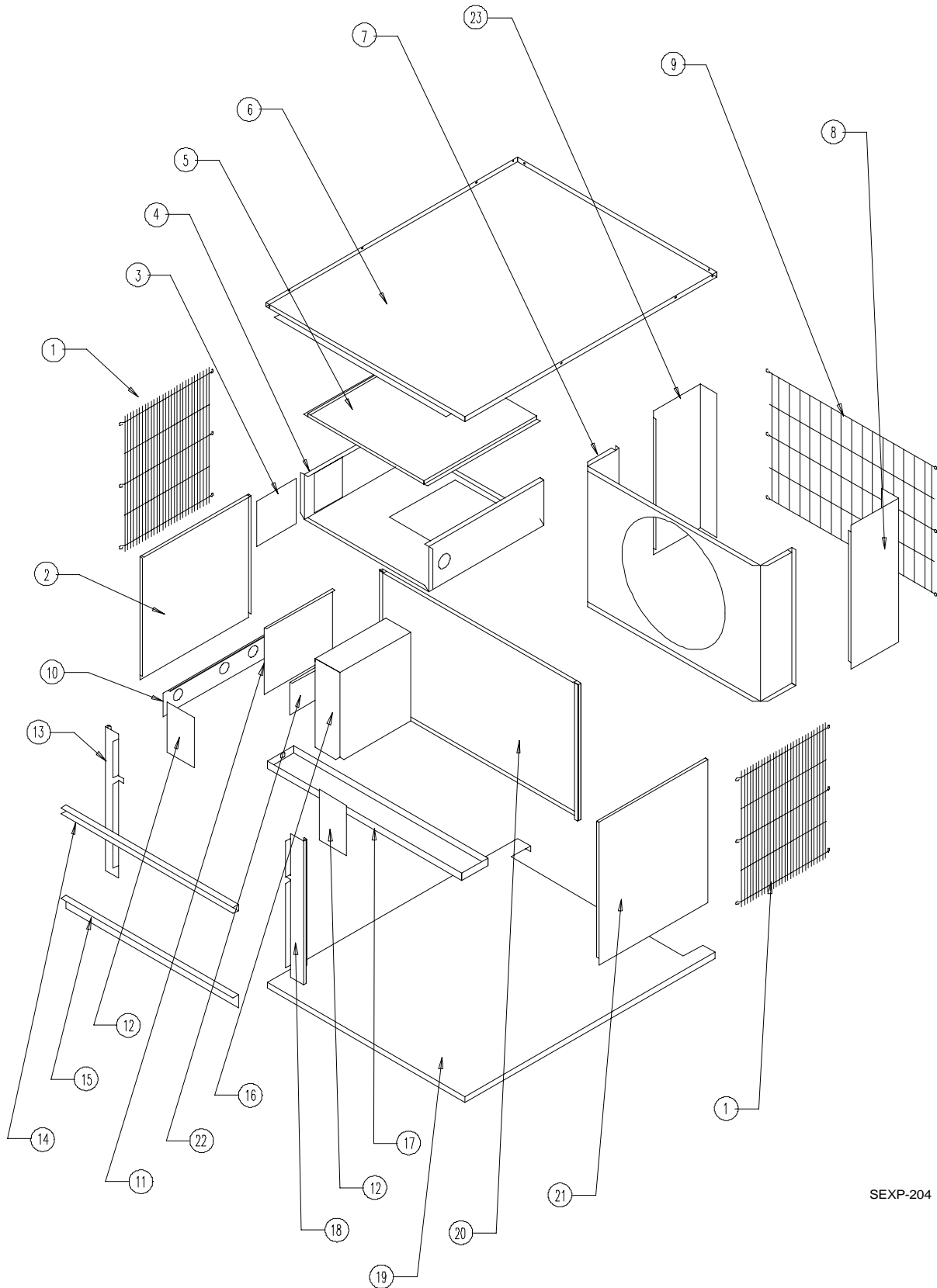
CLIMATE CONTROL SOLUTIONS

BARD MANUFACTURING COMPANY
Bryan, Ohio 43506

Since 1914...Moving, ahead just as planned.

Manual: 2110-214E
Supersedes: 2110-214D
File: Tab 10
Date: 01-09-03

CABINET COMPONENTS

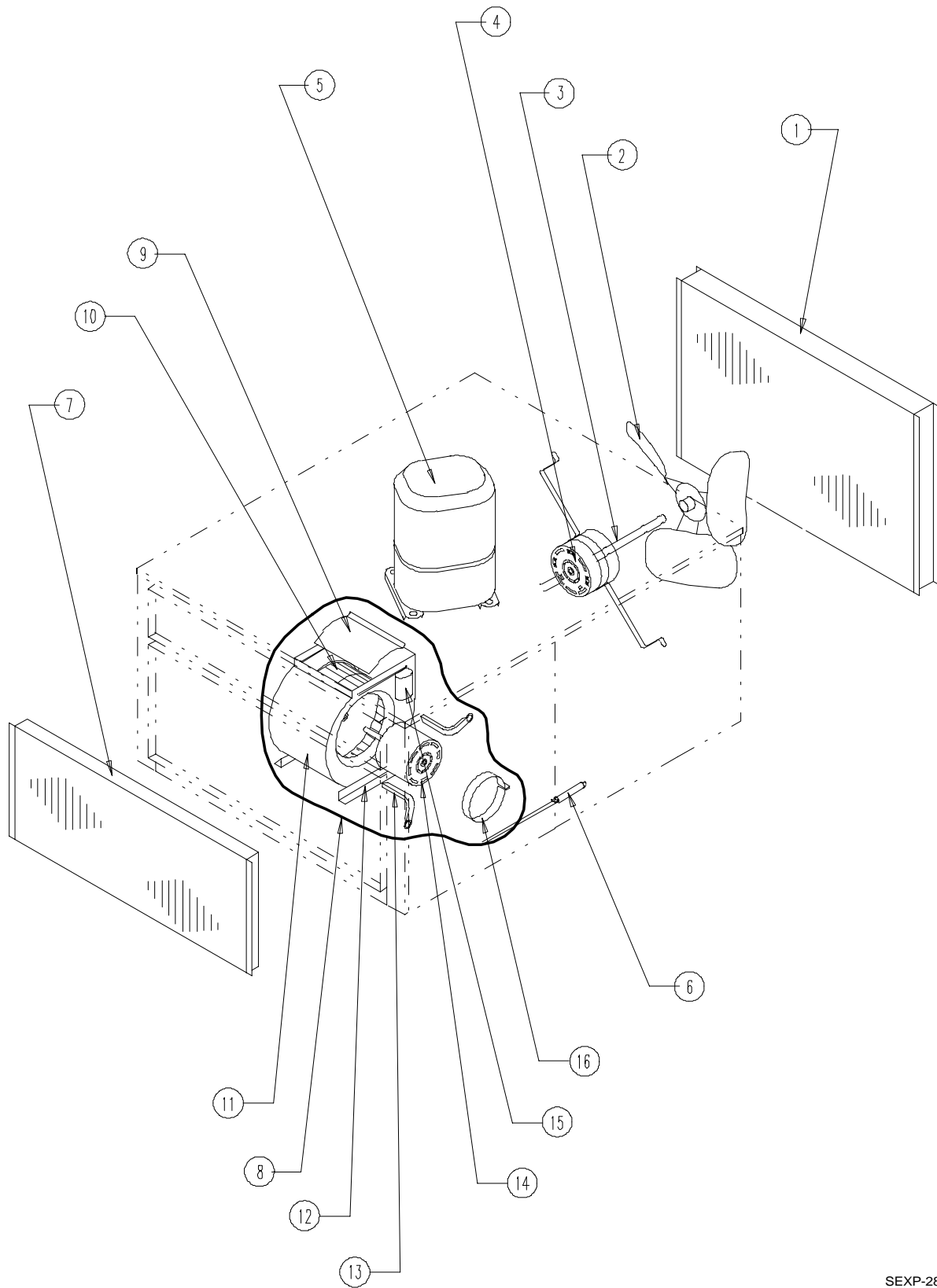


SEXP-204

CABINET COMPONENTS

Drawing No.	Part No.	Description	P1124A2	P1130A1	P1136A2	P1224A2	P1230A1	P1236A1
1	7051-015	Inlet Grille	2	2	2	2	2	2
2	501-133-X	Left Side	X	X	X	X	X	X
3	142-017	Cover Plate – 0KW	X	X	X	X	X	X
4	520-284	Blower Partition	X					
4	520-286	Blower Partition		X	X			
4	520-330	Blower Partition				X	X	X
5	134-017	Heat Strip Shield	X	X	X	X	X	X
6	507-168-X	Top	X	X	X	X	X	X
7	125-012-X	Fan Shroud	X	X	X	X	X	X
8	149-085-X	Right Rear Corner	X	X	X	X	X	X
9	7051-001	Condenser Grille	X	X	X	X	X	X
10	557-028-X	Entrance Panel	X	X	X	X	X	X
11	133-035-X	Control Panel Cover	X	X	X	X	X	X
12	136-312	Blower Fill Plates	2	2	2	2	2	2
13	549-082-X	Left Front Cover	X	X	X	X	X	X
14	165-552-X	Plenum Channel	X	X	X	X	X	X
15	105-521-X	Plenum Angle	X	X	X	X	X	X
16	Control Panel Assembly	See Control Panel Drawing & Parts List	X	X	X	X	X	X
17	123-088-X	Drain Pan	X	X	X	X	X	X
18	549-081-X	Right Front Corner	X	X	X	X	X	X
19	527-255-X	Base	X	X	X	X	X	X
20	521-328-X	Compressor Partition	X	X	X	X	X	X
21	501-132-X	Right Side	X	X	X	X	X	X
22	142-044	Entrance Cover	X	X	X	X	X	X
23	149-086-X	Left Rear Corner	X	X	X	X	X	X

FUNCTIONAL COMPONENTS



SEXP-283

This drawing to be used for reference for Pages 4, and 5.

FUNCTIONAL COMPONENTS

Drawing No.	Part No.	Description	P1124A3	P1130A2	P1136A2	P1136A1-B	P1136A1-C
1	5051-035	Condenser Coil	X	X			
1	5051-050	Condenser Coil			X	X	X
2	5151-034	Fan Blade	X				
2	5151-004	Fan Blade		X	X	X	X
3	8200-001	Motor Mount	X	X	X	X	X
4	8103-014	Motor					X
4	8103-016	Motor	X				
4	8103-019	Motor		X	X	X	
5	8000-170	Compressor	X				
5	8000-172	Compressor		X			
5	8000-175	Compressor			X		
5	8000-163	Compressor				X	
5	8000 -164	Compressor					X
6	800-0049	Capillary Tube Assembly	X	X			
6	800-0159	Capillary Tube Assembly			X	X	X
7	5060-037	Evaporator Coil	X	X			
7	5060-050	Evaporator Coil			X	X	X
8	900-146	Complete Blower Assembly	X				
8	900-145	Complete Blower Assembly		X	X	X	
8	900-207	Complete Blower Assembly					X
9	144-166	Diffuser	X	X	X	X	X
10	5152-005	Blower Wheel		X	X	X	X
10	5152-065	Blower Wheel	X				
11	151-088	Blower Housing	X				
11	151-101	Blower Housing		X	X	X	X
12	104-787	Blower Angles	X	X	X	X	X
13	8620-034	Motor Mount Kit	X	X	X	X	X
14	8105-016	Motor					X
14	8105-032	Motor	X				
14	8105-024	Motor		X	X	X	
15	8552-002	Capacitor 5/370	X	X	X	X	X
16	8620-034	Motor Mount Kit	X	X	X	X	X

Refer to drawing on Page 3

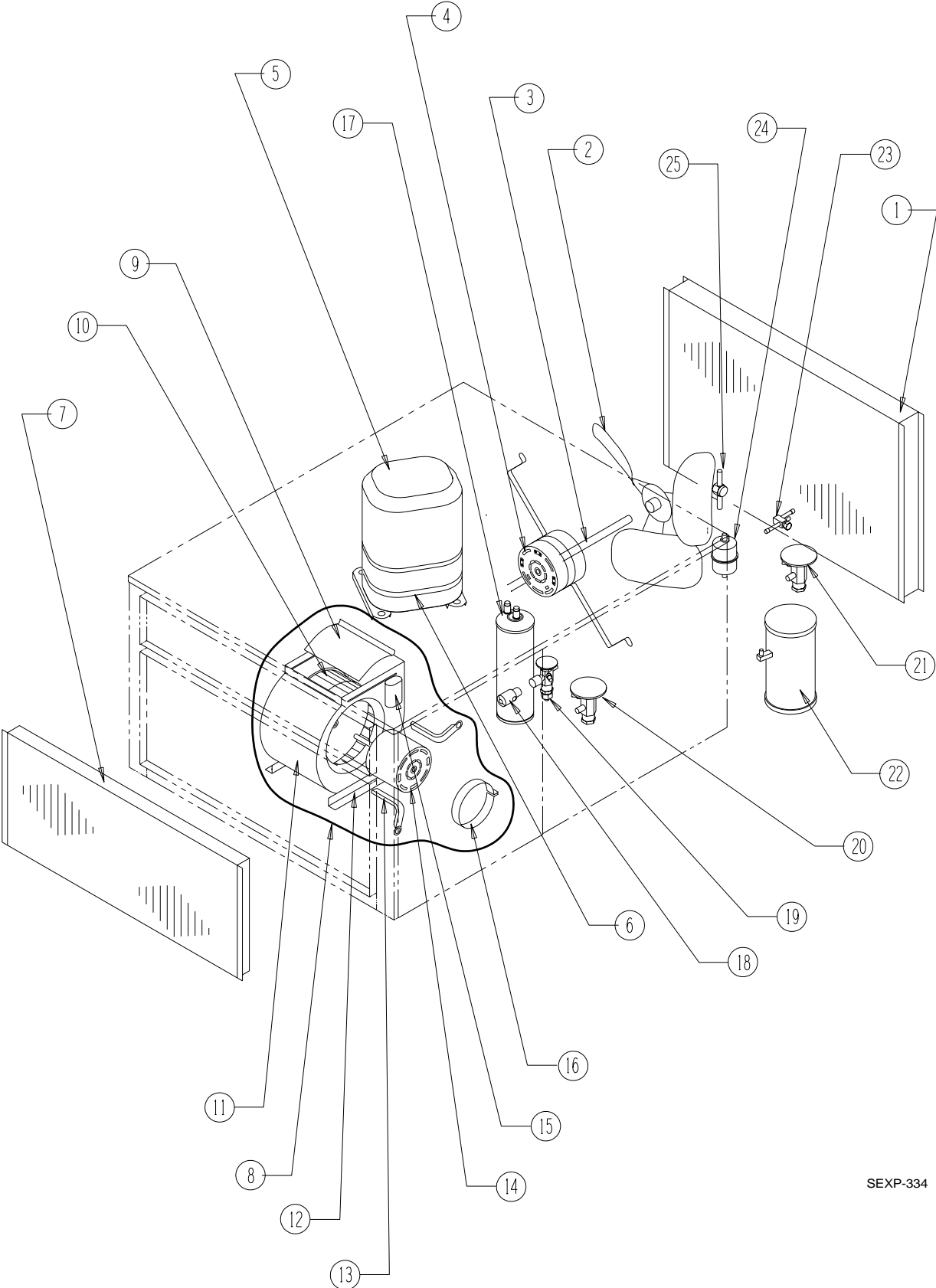
FUNCTIONAL COMPONENTS

Drawing No.	Part No.	Description	P1224A1	P1230A1	P1236A1	P1236A1-B
1	5051-035	Condenser Coil	X			
1	5051-050	Condenser Coil		X	X	X
2	5151-034	Fan Blade	X			
2	5151-004	Fan Blade		X	X	X
3	8200-001	Motor Mount	X	X	X	X
4	8103-016	Motor	X			
4	8103-019	Motor		X	X	X
5	8000-170	Compressor	X			
5	8000-172	Compressor		X		
5	8000-175	Compressor			X	
5	8000 -164	Compressor				X
6	800-0049	Capillary Tube Assembly	X			
6	800-0283	Capillary Tube Assembly		X		
6	800-0159	Capillary Tube Assembly			X	X
7	5060-037	Evaporator Coil	X	X		
7	5060-100	Evaporator Coil			X	X
8	900-239-001	Complete Blower Assembly	X			
8	900-240-001	Complete Blower Assembly		X		
8	900-240-002	Complete Blower Assembly			X	X
9	144-166	Diffuser	X	X	X	X
10	5152-049	Blower Wheel	X	X	X	X
11	151-097	Blower Housing	X	X	X	X
12	104-1043	Blower Angles	X	X	X	X
13	8620-034	Motor Mount Kit	X	X	X	X
14	8105-045-0016	Motor	X			
14	8106-035-0017	Motor		X		
14	8106-035-0021	Motor			X	X
16	8620-034	Motor Mount Kit	X	X	X	X

Refer to drawing on Page 3

**This page has been left blank
intentionally.**

FUNCTIONAL COMPONENTS

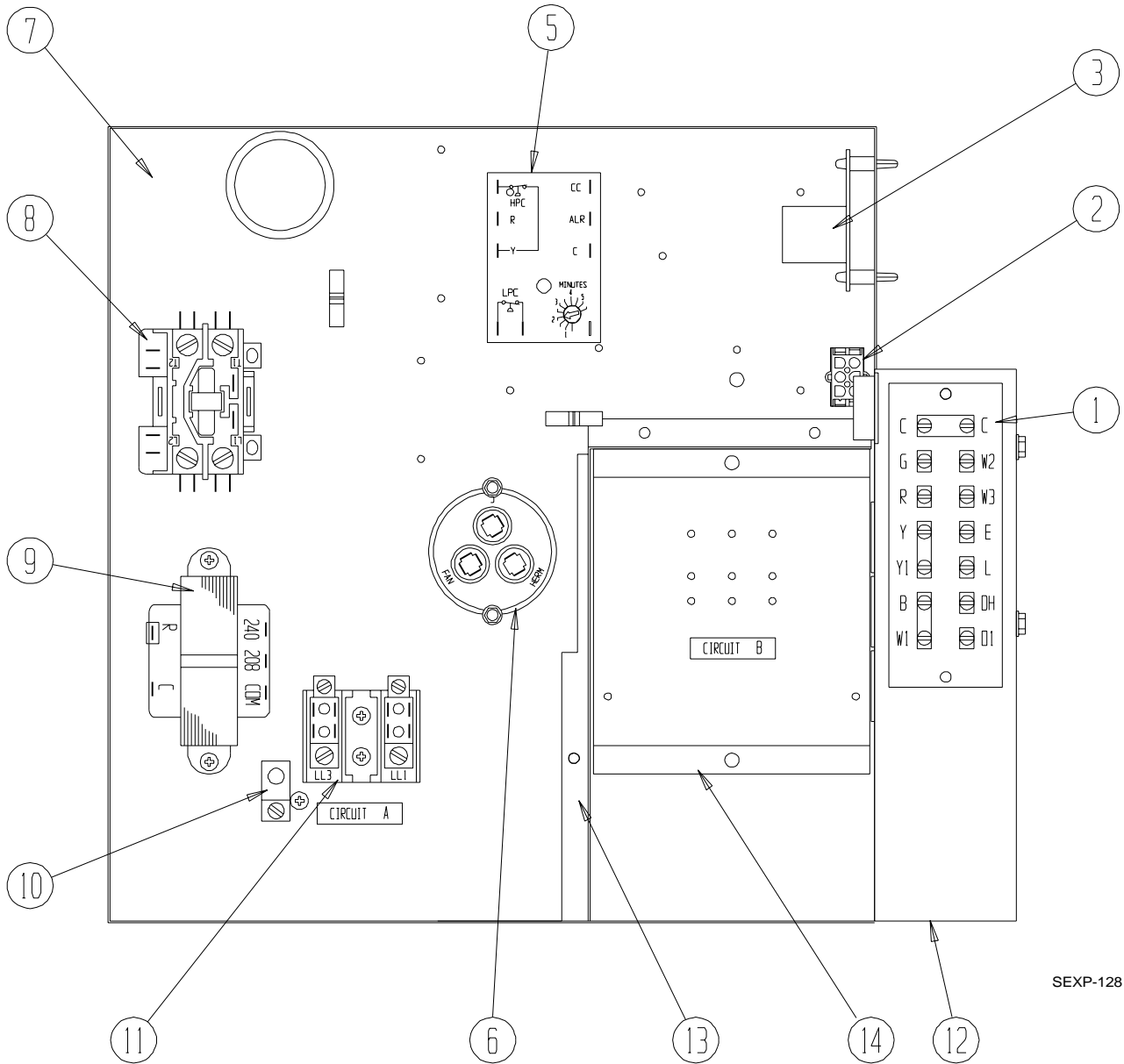


SEXP-334

FUNCTIONAL COMPONENTS


Drawing No.	Part No.	Description	P1136A1-A/H	P1136A1-B/H	P1136A1-C/H
1	5051-050	Condenser Coil	X	X	X
2	5151-004	Fan Blade	X	X	X
3	8200-001	Motor Mount	X	X	X
4	8103-014	Motor			X
4	8103-019	Motor	X	X	
5	8000-175	Compressor	X		
5	8000-163	Compressor		X	
5	8000-164	Compressor			X
6	8605-015	Crankcase Heater	X	X	
6	8605-016	Crankcase Heater			X
7	5060-050	Evaporator Coil	X	X	X
8	900-145	Complete Blower Assembly	X	X	
8	900-207	Complete Blower Assembly			X
9	144-166	Diffuser	X	X	X
10	5152-005	Blower Wheel	X	X	X
11	151-101	Blower Housing	X	X	X
12	104-787	Blower Angles	X	X	X
13	8620-034	Motor Mount Kit	X	X	X
14	8105-016	Motor			X
14	8105-024	Motor	X	X	
15	8552-002	Capacitor 5/370	X	X	X
16	8620-034	Motor Mount Kit	X	X	X
17	5202-022	Accumulator	X	X	X
18	5651-098	Distributor	X	X	X
19	5651-100	Expansion Valve	X	X	X
20	5651-014	Hot Gas Bypass Valve	X	X	X
21	5651-097	Head Pressure Control Valve	X	X	X
22	5203-004	Receiver	X	X	X
23	5651-051	Manual Shut Off Valve	X	X	X
24	5201-001	Liquid Line Filter Drier	X	X	X
25	5201-014	Sight Glass	X	X	X

CONTROL PANEL



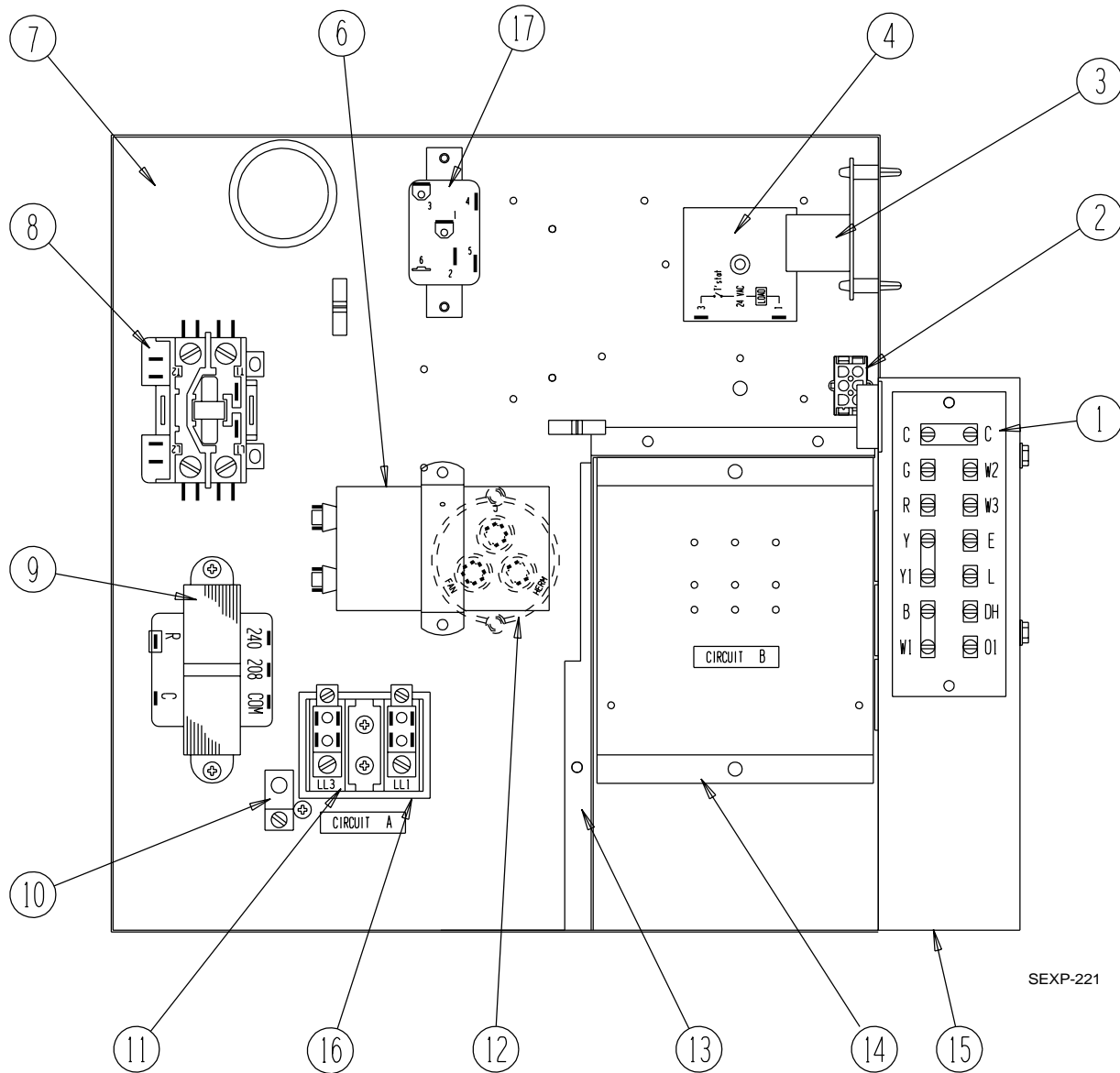
SEXP-128

CONTROL PANEL

Drawing No.	Part No.	Description	P1124A2	P1130A2	P1136A2	P1224A1	P1230A1	P1236A1
1	8607-025	Terminal Strip			X	X	X	X
2	3000-988	Wire Assembly		X	X			
2	3000-1027	Wire Assembly	X					
2	3000-1099	Wire Assembly				X	X	X
3	8201-056	Blower Relay	X	X	X			
3	8201-074	Blower Interlock Relay				X	X	X
5	8201-088	Compressor Control Panel 	X	X	X	X	X	X
6	8552-050	Capacitor 40/5-370		X				
6	8552-052	Capacitor 45/5-370			X	X	X	
6	8552-063	Capacitor 50/5-370	X					X
7	516-147	Control Panel	X	X	X	X	X	X
8	8401-007	Contactors	X	X	X	X	X	X
9	8407-034	Transformer	X	X	X	X	X	X
10	8611-006	Ground Terminal	X	X	X	X	X	X
11	8607-013	Terminal Block	X	X	X	X	X	X
12	116-148	Low Voltage Box	X	X	X	X	X	X
13	116-149	Control Panel Partition	X	X	X	X	X	X
14	116-150	Terminal Block Support	X	X	X	X	X	X
NS	1804-0106	Service Replacement High Pressure Switch				X	X	X
NS	4063-129	Wiring Diagram	X					
NS	4063-130	Wiring Diagram		X	X			
NS	4063-131	Wiring Diagram				X	X	X

NS = Not Shown

CONTROL PANEL



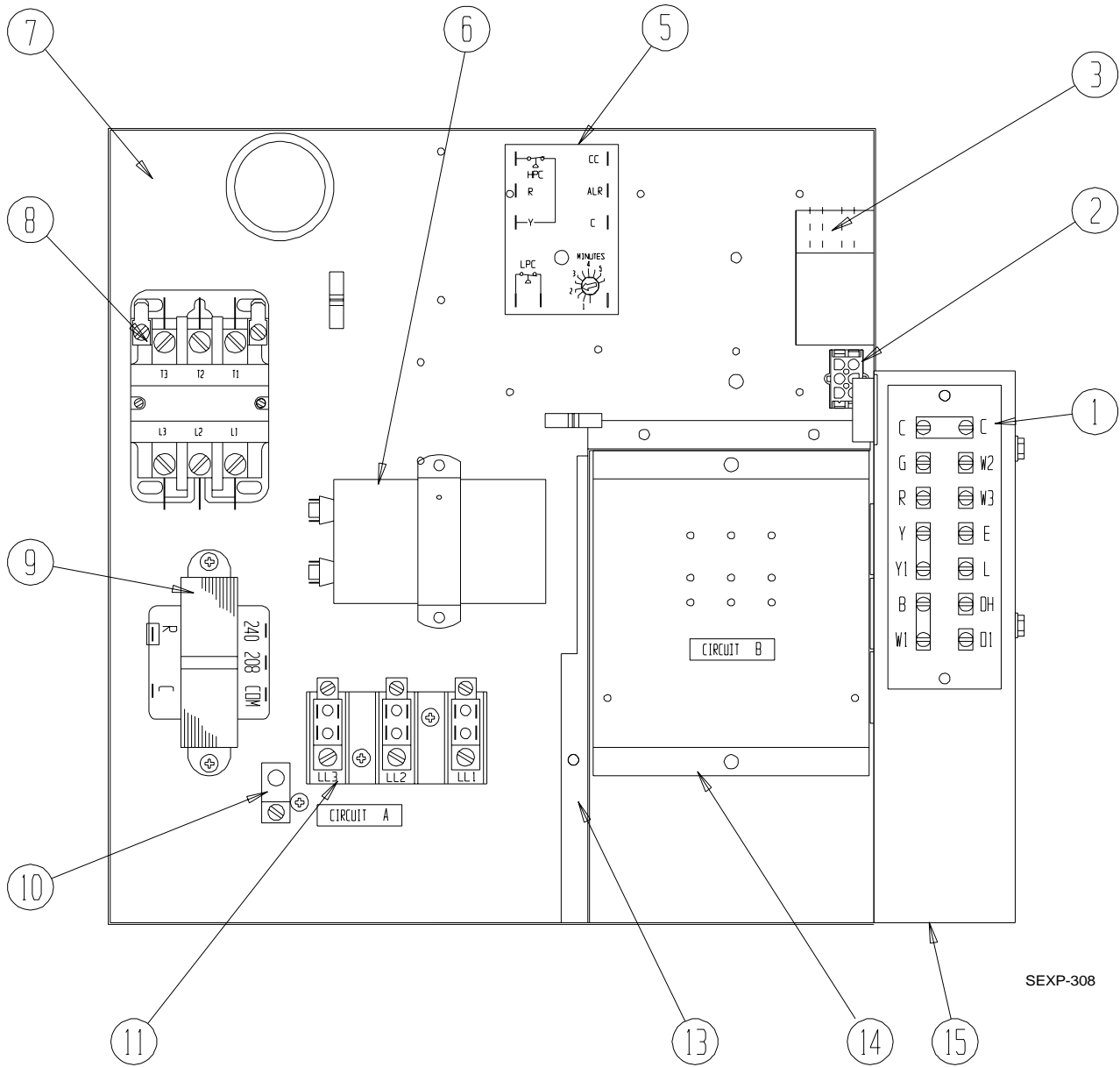
SEXP-221

CONTROL PANEL

Drawing No.	Part No.	Description	P1136A1-B	P1136A1-C	P1136A1-A/H	P1136A1-B/H	P1136A1-C/H
1	8607-025	Terminal Strip	X	X	X	X	X
2	3000-988	Wire Assembly	X	X	X	X	X
3	8201-056	Solid State Blower Control	X		X	X	
3	8201-032	BlowerRelay		X			X
4	8201-088	Compressor Control Panel	X	X	X	X	X
6	8552-002	Capacitor 5-370	X	X	X	X	
7	516-147	Control Panel	X	X	X	X	X
8	8401-007	Contactora	X	X		X	X
8	8401-007	Contactora			X	X	X
9	8407-034	Transformer	X		X	X	
9	8407-042	Transformer		X			X
10	8611-006	Ground Terminal	X	X	X	X	X
11	8607-014	Terminal Block	X	X	X	X	X
12	8552-063	Capacitor 50/5-370			X		
13	116-149	Control Panel Partition	X	X	X	X	X
14	116-150	Terminal Block Support	X	X	X	X	X
15	116-148	Low Voltage Box	X	X	X	X	X
16	8607-015	Phenolic Insulator		X			X
17	8201-009	Relay (CC Heater)			X	X	
17	8201-032	Relay (CC Heater)					X
NS	4063-213	Wiring Diagram	X				
NS	4063-311	Wiring Diagram		X			
NS	4063-128	Wiring Diagram			X		
NS	4063-214	Wiring Diagram				X	
NS	4063-312	Wiring Diagram					X

NS = Not Shown

CONTROL PANEL



SEXP-308

CONTROL PANEL

rawing No.	Part No.	Description	P1236A1-B
1	8607-025	Terminal Strip	X
2	3000-1099	Wire Assembly	X
3	8201-074	Blower Interlock Relay	X
5	8201-088	Compressor Control Module	X
6	8552-002	Capacitor 5 - 370	X
7	516-147	Control Panel	X
8	8401-002	Contactator	X
9	8407-034	Transformer	X
10	8611-006	Ground Terminal	X
11	8607-014	Terminal Block	X
13	116-149	Control Panel Partition	X
14	116-150	Terminal Block Support	X
15	116-048	Low Voltage Box	X
NS	1804-0106	Service Replacement High Pressure Switch	X
NS	4063-215	Wiring Diagram	X

NS = Not Shown