
REPLACEMENT PARTS MANUAL

PACKAGE AIR CONDITIONERS

Models:
P1242A1 P1248A1
P1248A1-B

General Notes

- Revised and/or additional pages may be issued from time to time.
- A complete and current manual consists of pages shown in the following contents section.

Important

- Contact the installing and/or local Bard distributor for all parts requirements. Make sure you have the complete model and serial number available from the unit rating plates.

Contents

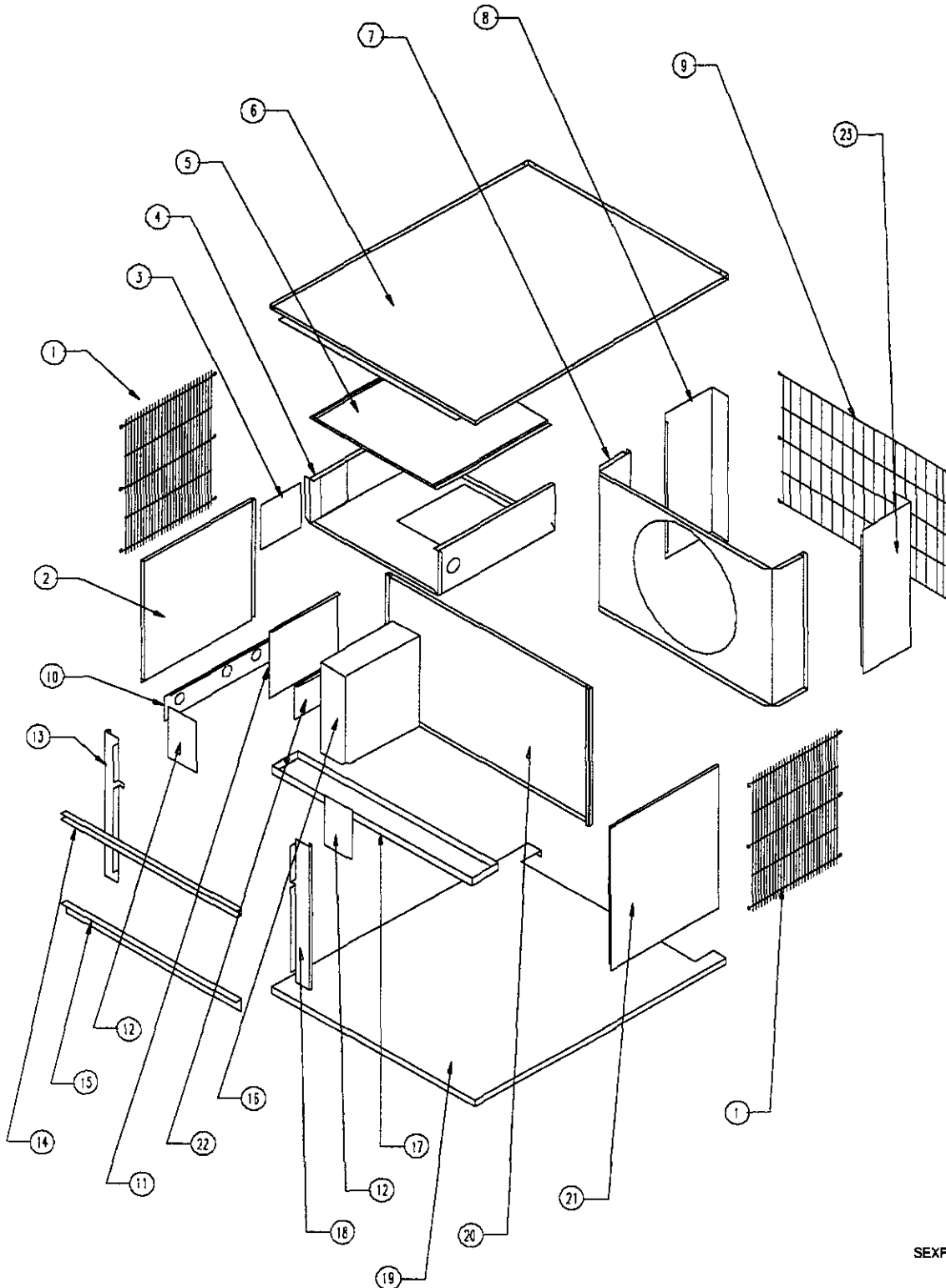
Description	Page
Cabinet Components	
♦ Exploded View	1
♦ Usage List	2
Functional Components	
♦ Exploded View	3
♦ Usage Lists	4
Control Panel Layout	
♦ Exploded View	5
♦ Usage Lists	6
Control Panel Layout	
♦ Exploded View	7
♦ Usage Lists	8



BARD MANUFACTURING COMPANY
Bryan, Ohio 43506
Since 1914...Moving ahead, just as planned.

Manual: 2110-215A
Supersedes: 2110-215
File: Tab 10
Date: 03-01-01

CABINETS COMPONENTS

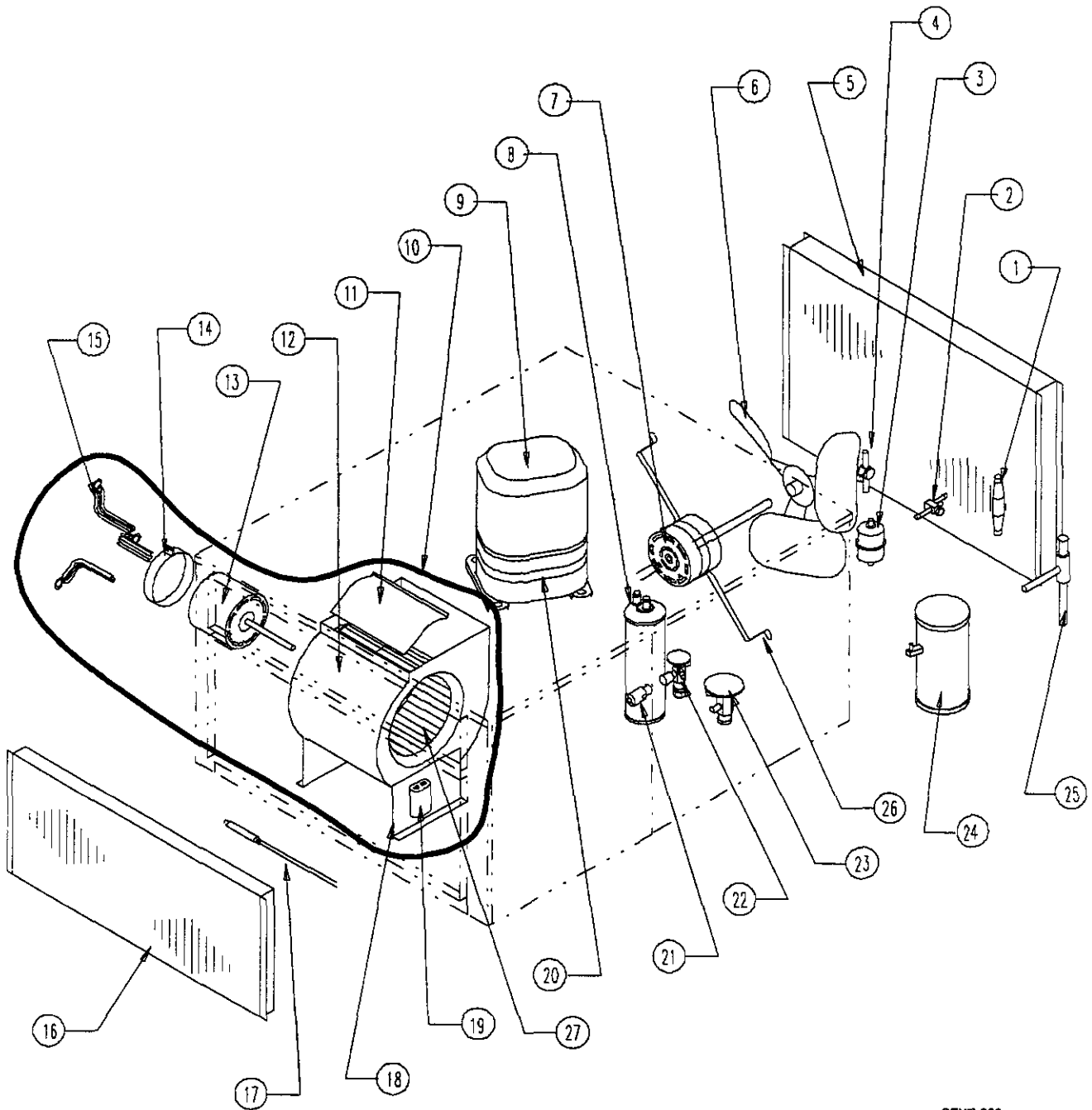


SEXP-204

CABINET COMPONENTS

Drawing No	Part No.	Description	U S A G E	
1	7051-007	Inlet Grille	2	
2	501-272-X	Left Side	X	
3	142-045	Cover Plate – OKW	X	
4	520-240	Blower Partion	X	
5	134-134	Heat Strip Shield	X	
6	507-146-X	Top	X	
7	125-027-X	Fan Shroud	X	
8	149-079-X	Left Rear Corner	X	
9	7051-005	Condenser Grille	X	
10	557-026-X	Entrance Panel	X	
11	133-035-X	Control Panel Cover	X	
12	136-246	Blower Fill Plates	2	
13	549-077-X	Left Front Cover	X	
14	165-502-X	Plenum Channel	X	
15	105-525-X	Plenum Angle	X	
16	Control Panel Assembly	See Control Panel Drawing and Parts List		
17	123-084-X	Drain Pan	X	
18	549-076-X	Right Front Cover	X	
19	527-221	Base	X	
20	521-239-X	Compressor Partion	X	
21	501-271-X	Right Side	X	
22	142-044	Entrance Cover	X	
23	149-078-X	Right Rear Corner	X	

FUNCTIONAL COMPONENTS

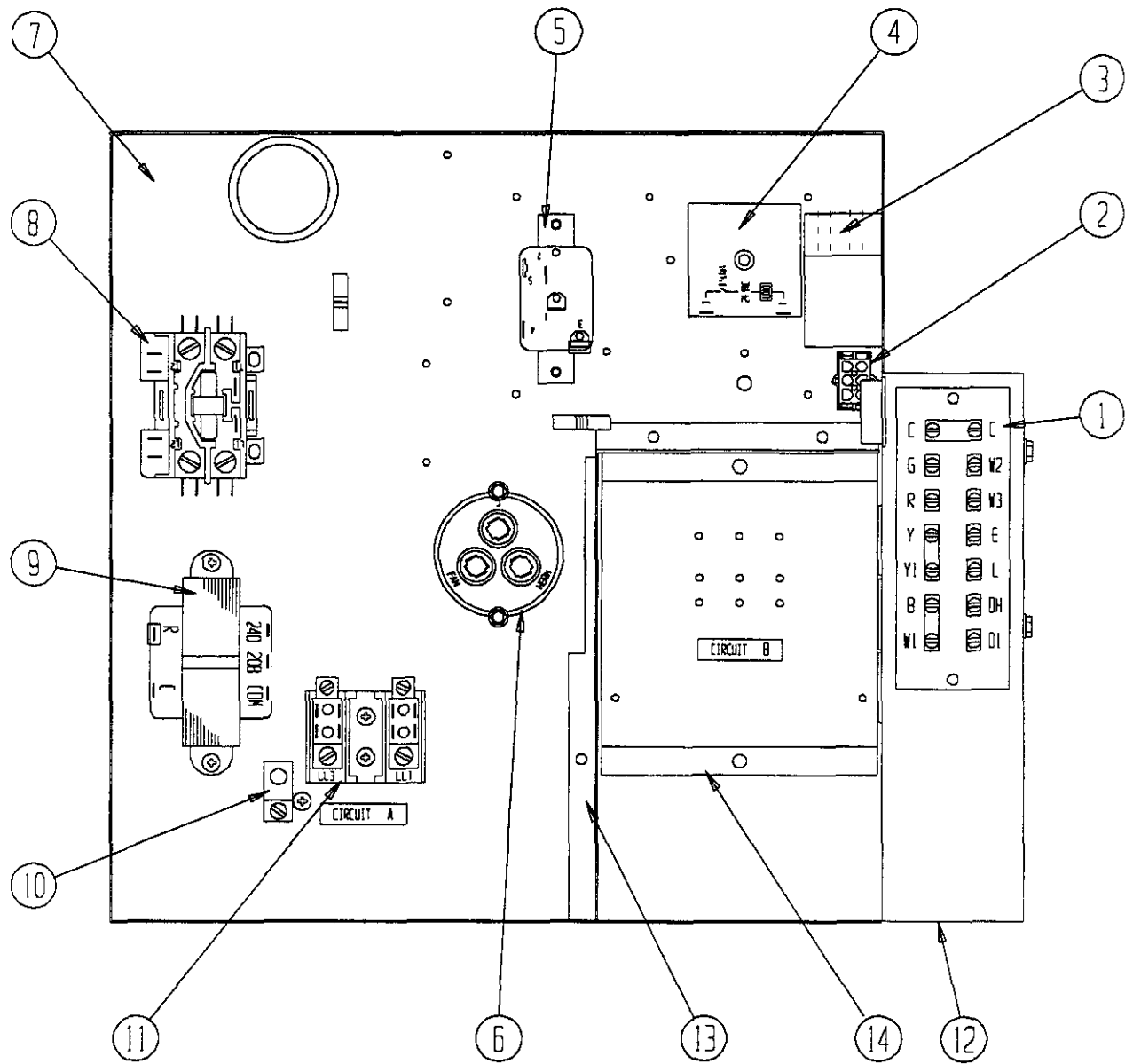


SEXP-200

FUNCTIONAL COMPONENTS

Drawing No	Part No.	Description	P1242A1	P1248A1	P1248A1-B
5	5051-083	Condenser Coil	X		
5	5051-118	Condenser Coil		X	X
6	5151-027	Fan Blade	X	X	X
7	8105-039	Motor	X	X	X
9	8000-176	Compressor	X		
9	8000-149	Compressor		X	
9	8000-156	Compressor			X
10	245-001	Complete Blower Assembly		X	X
10	244-001	Complete Blower Assembly	X		
11	114-130	Diffuser	X	X	X
12	151-097	Blower Housing	X	X	X
13	8106-035-0018	Motor	X		
13	8107-009-0019	Motor		X	X
14	8200-033	Motor Mount Band	X	X	X
15	8200-034	Motor Mount Arms	3	3	3
16	5060-071	Evaporator	X		
16	5060-082	Evaporator		X	X
17	5625-034	Distributor		X	X
17	800-0222	Capillary Tube Assembly	X		
18	104-795	Blower Angles	X	X	X
26	8200-004	Motor Mount	X	X	X
27	5152-049	Blower Wheel		X	X
27	5152-071	Blower Wheel	X		

CONTROL PANEL COMPONENTS



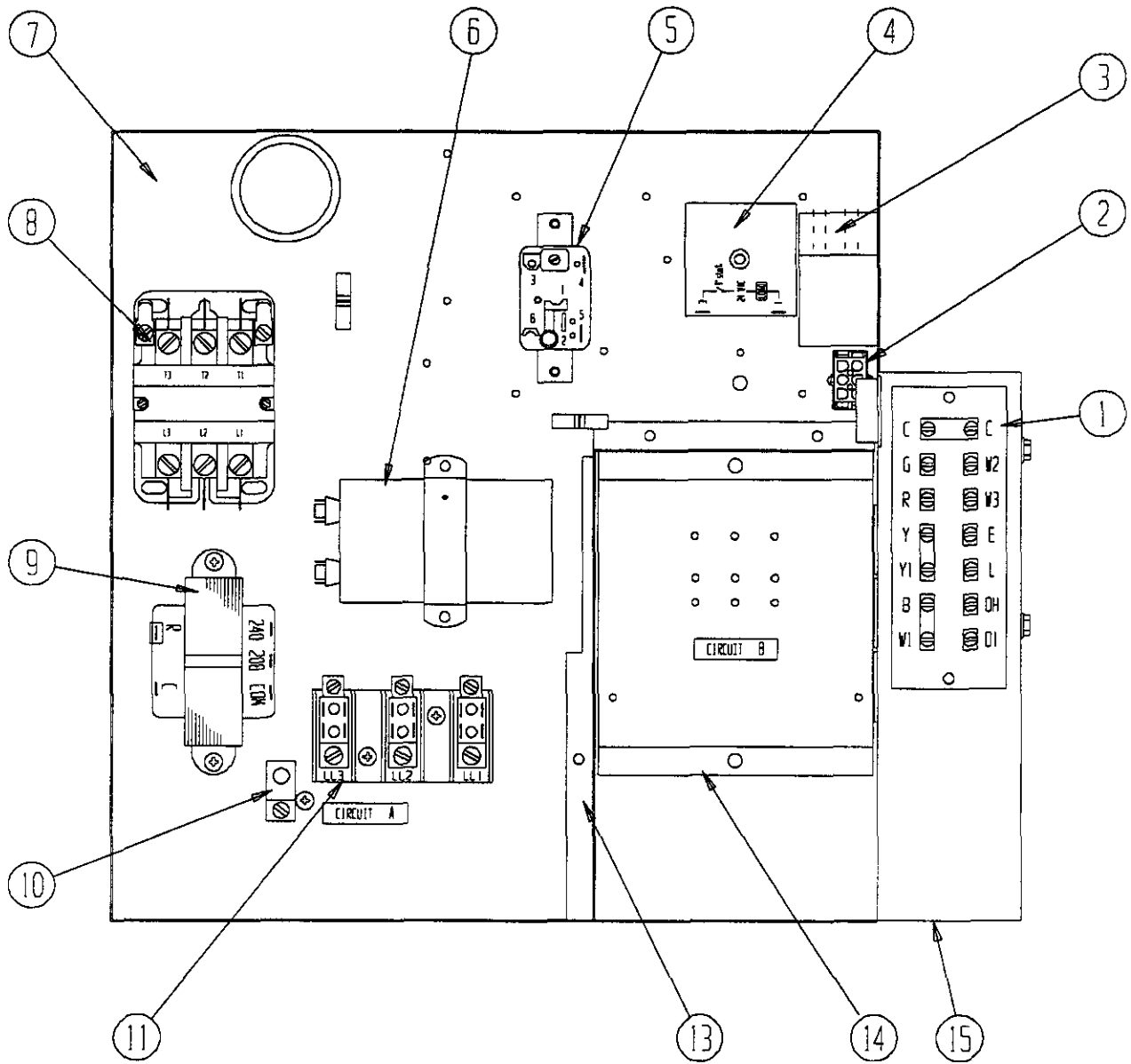
SEXP-301

CONTROL PANEL COMPONENTS

Drawing No	Part No.	Description	P1242A1	P1248A1
1	8607-025	Terminal Strip	X	X
2	3000-988	Wire Assembly	X	X
3	8201-074	Blower Control Relay	X	X
4	8201-050	Time Delay Relay	X	X
5	8201-034	Impedance Relay	X	X
6	8552-059	Capacitor 60/10-370		X
6	8552-056	Capacitor 55/10-440	X	
7	516-147	Control Panel	X	X
8	8401-016	Contactor		X
8	8401-007	Contactor	X	
9	8407-034	Transformer	X	X
10	8611-006	Ground Terminal	X	X
11	8607-013	Terminal Block	X	X
13	116-149	Control Panel Partition	X	X
14	116-150	Terminal Block Support	X	X
15	116-148	Low Voltage Box	X	X
NS	1804-0106	Service Replacement High Pressure Switch	X	X
NS	4064-119	Wiring Diagram	X	X

NS = Not Shown

CONTROL PANEL COMPONENTS



SEXP-308

CONTROL PANEL COMPONENTS

Drawing No.	Part No.	Description	P1248A1-B
1	8607-025	Terminal Strip	X
2	3000-988	Wire Assembly	X
3	8201-074	Blower Control Relay	X
4	8201-050	Time Delay Relay	X
5	8201-034	Impedance Relay	X
6	8552-005	Capacitor 10-370	X
7	516-147	Control Panel	X
8	8401-002	Contactors	X
9	8407-034	Transformer	X
10	8611-006	Ground Terminal	X
11	8607-014	Terminal Block	X
13	116-149	Control Panel Partition	X
14	116-150	Terminal Block Support	X
15	116-148	Low Voltage Box	X
NS	1804-0106	Service Replacement High Pressure Switch	X
NS	4064-213	Wiring Diagram	X

NS = Not Shown

