
Replacement Parts Manual

Package Heat Pump

Models: PH1124
PH1130
PH1136

General Notes

- Revised and/or additional pages may be issued from time to time.
- A complete and current manual consists of pages shown in the following contents section.

Important

- Contact the installing and/or local Bard distributor for all parts requirements. Make sure you have the complete model and serial number available from the unit rating plates.

Contents

Description	Page
Cabinet Components	
• Exploded View	1
• Usage List	2
Functional Components	
• Exploded View	3
• Usage List	4
Control Panel	
• Exploded View	5
• Usage List	6
• Exploded View	7
• Usage List	8

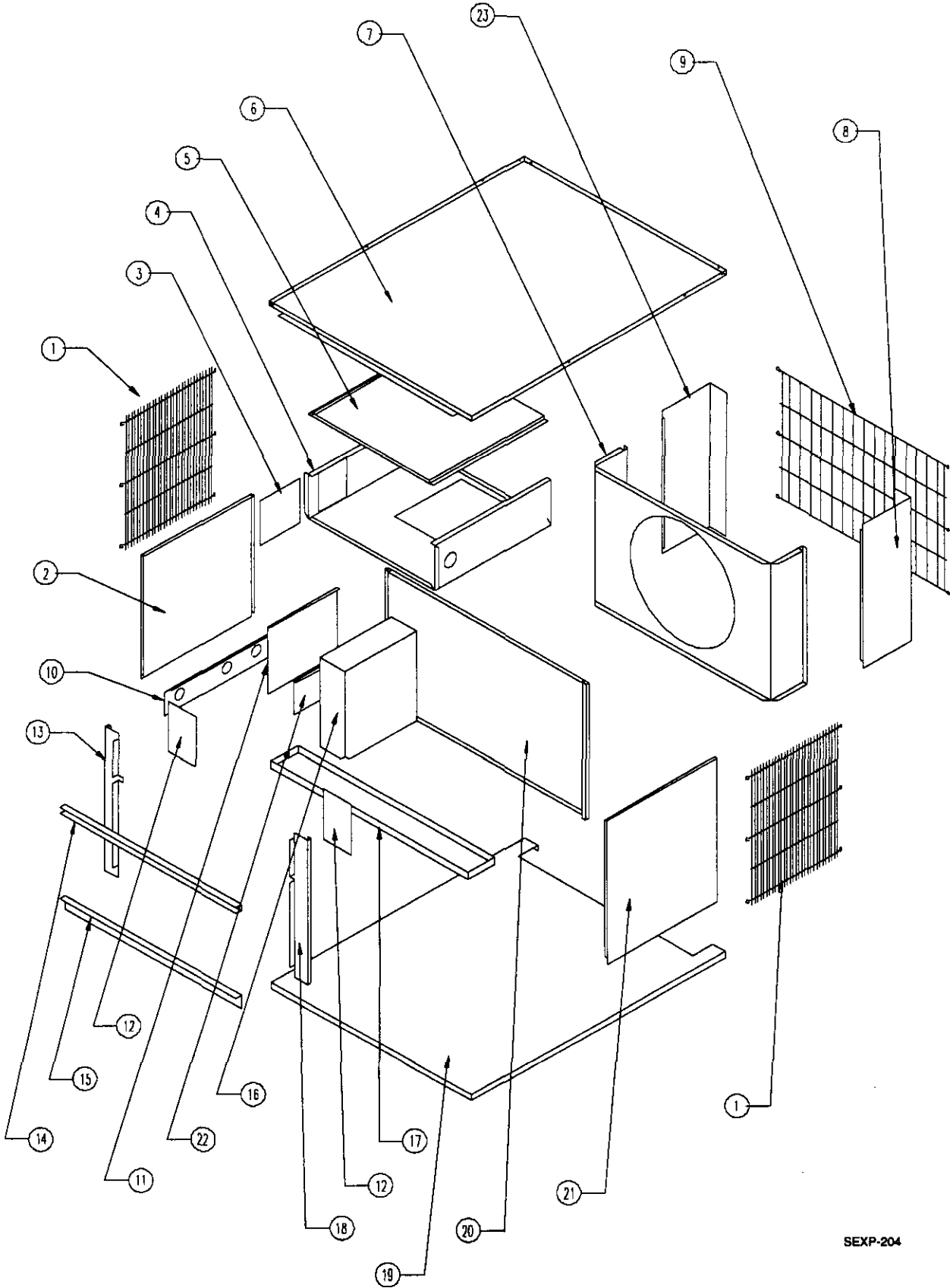


BARD MANUFACTURING COMPANY
Bryan, Ohio 43506

Since 1914...Moving, ahead just as planned.

Manual: 2110-255F
Rev: E
Date: 11-10-97

CABINET COMPONENTS

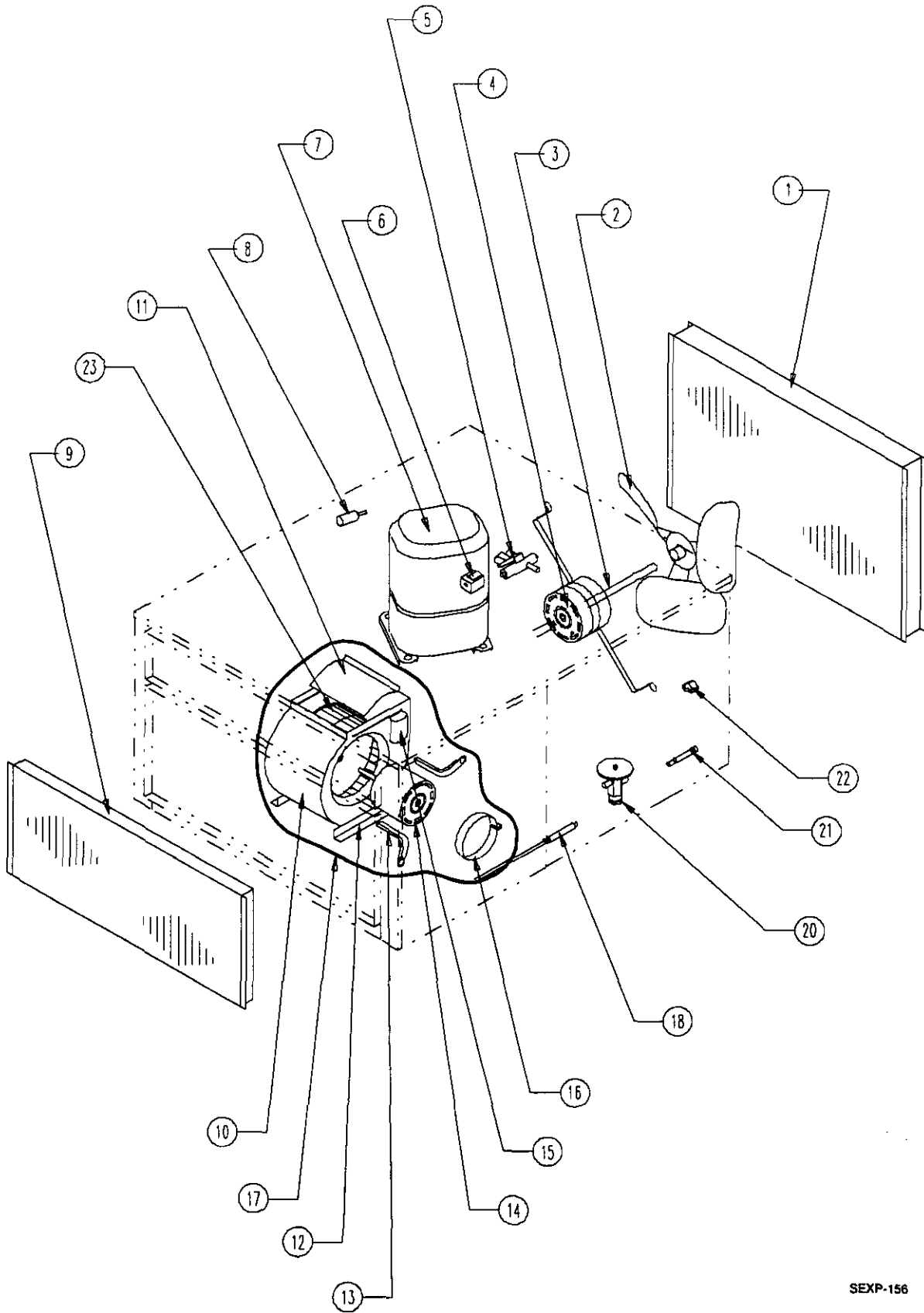


SEXP-204

CABINET COMPONENTS

Drawing No.	Part No.	Description	PH1124	PH1130	PH1136
1	7051-015	Inlet Grille	2	2	2
2	501-133-X	Left Side	X	X	X
3	142-017	Cover Plate – OKW	X	X	X
4	520-284	Blower Partition	X		
4	520-286	Blower Partition		X	X
5	134-017	Heat Strip	X	X	X
6	507-168-X	Top	X	X	X
7	125-012-X	Fan Shroud	X	X	X
8	149-085-X	Right Rear Corner	X	X	X
9	7051-001	Condenser Grille	X	X	X
10	557-028-X	Entrance Panel	X	X	X
11	133-035-X	Control Panel Cover	X	X	X
12	136-312	Blower Fill Plates	2	2	2
13	549-082-X	Left Front Cover	X	X	X
14	165-552-X	Plenum Channel	X	X	X
15	105-521-X	Plenum Angle	X	X	X
16	Control Panel Assembly	See Control Panel Drawing & Parts List	X	X	X
17	123-088-X	Drain Pan	X	X	X
18	549-081-X	Right Front Corner	X	X	X
19	527-255	Base	X	X	X
20	521-283-X	Compressor Partition	X	X	X
21	501-132-X	Right Side	X	X	X
22	142-016	Entrance Cover	X	X	X
23	149-086-X	Left Rear Corner	X	X	X

FUNCTIONAL COMPONENTS

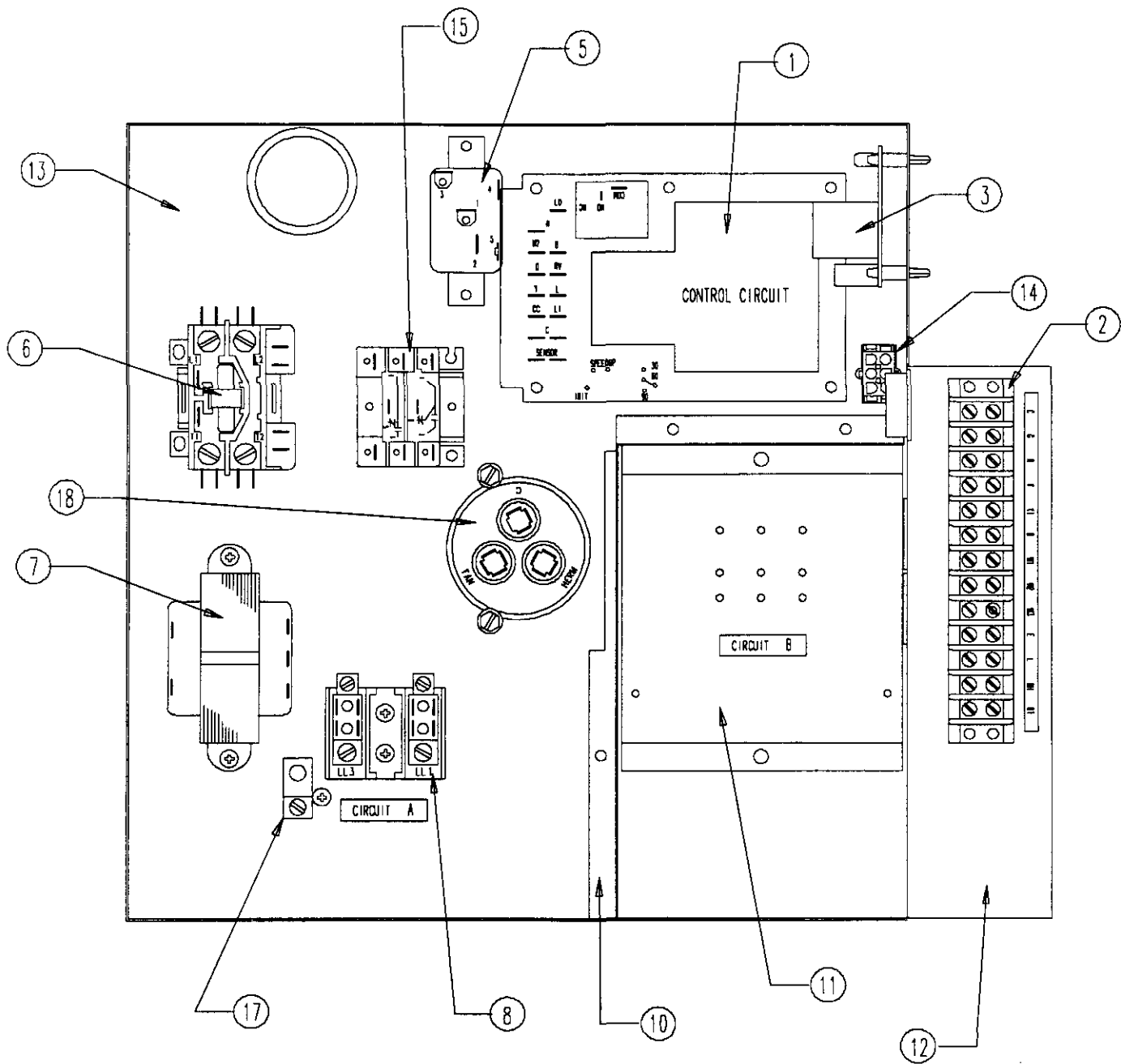


SEXP-156

FUNCTIONAL COMPONENTS

Drawing No.	Part No.	Description	PH1124	PH1124-D	PH1130	PH1136	PH1136-B	PH1136-C	PH1136-D
1	5051-053	Condenser Coil	X	X					
1	5051-072	Condenser Coil			X	X	X	X	X
2	5151-034	Fan Blade	X	X					
2	5151-004	Fan Blade			X	X	X	X	X
3	8200-001	Motor Mount	X	X	X	X	X	X	X
4	8103-014	Motor						X	
4	8103-016	Motor	X	X					
4	8103-019	Motor			X	X	X		X
5	5650-020	Reversing Valve	X	X	X	X	X	X	X
6	5650-022	Reversing Valve Solenoid	X	X	X	X	X	X	X
7	8000-116	Compressor ZR23K1-PFV-230	X						
7	8000-117	Compressor ZR28K1-PFV-230			X				
7	8000-115	Compressor ZR34K1-PFV-230				X			
7	8000-163	Compressor ZR34K3-TF5-230					X		
7	8000-164	Compressor ZR23K3-TFD-230						X	
7	8000-169	Compressor ZR23K1-PFJ-230		X					
7	8000-184	Compressor ZR34K3-PFJ-230							X
8	8406-040	High Pressure Switch	X	X	X	X	X	X	X
9	5060-052	Evaporator Coil	X	X					
9	5060-068	Evaporator Coil			X	X	X	X	X
10	151-088	Blower Housing	X	X					
10	151-068	Blower Housing			X	X	X	X	X
11	144-156	Blower Diffuser	X	X					
11	144-126	Blower Diffuser			X	X	X	X	X
12	104-787	Blower Angle	X	X	X	X	X	X	X
13	8200-036	Motor Mount Arm	3	3					
13	8000-034	Motor Mount Arm			3	3	3	3	3
14	8105-016	Motor						X	
14	8105-032	Motor	X	X					
14	8105-024	Motor			X	X	X		X
15	8552-002	Capacitor 5/370	X	X	X	X	X	X	X
16	8200-033	Motor Mount Band	X	X	X	X	X	X	X
17	900-146	Complete Blower Assembly	X	X					
17	900-145	Complete Blower Assembly			X	X	X		X
17	900-207	Complete Blower Assembly						X	
18	800-0192	Cooling Flow Control Assembly	X	X					
18	800-0196	Cooling Flow Control Assembly			X	X	X		X
18	800-0195	Cooling Flow Control Assembly						X	
20	5651-090	Expansion Valve	X	X	X				
20	5651-091	Expansion Valve				X	X	X	X
21	5651-036	Check Valve	X	X	X	X	X	X	X
22	910-1257	Defrost Sensor	X	X	X	X	X	X	X
23	5152-065	Blower Wheel	X	X					
23	5152-005	Blower Wheel			X	X	X	X	X

CONTROL PANEL



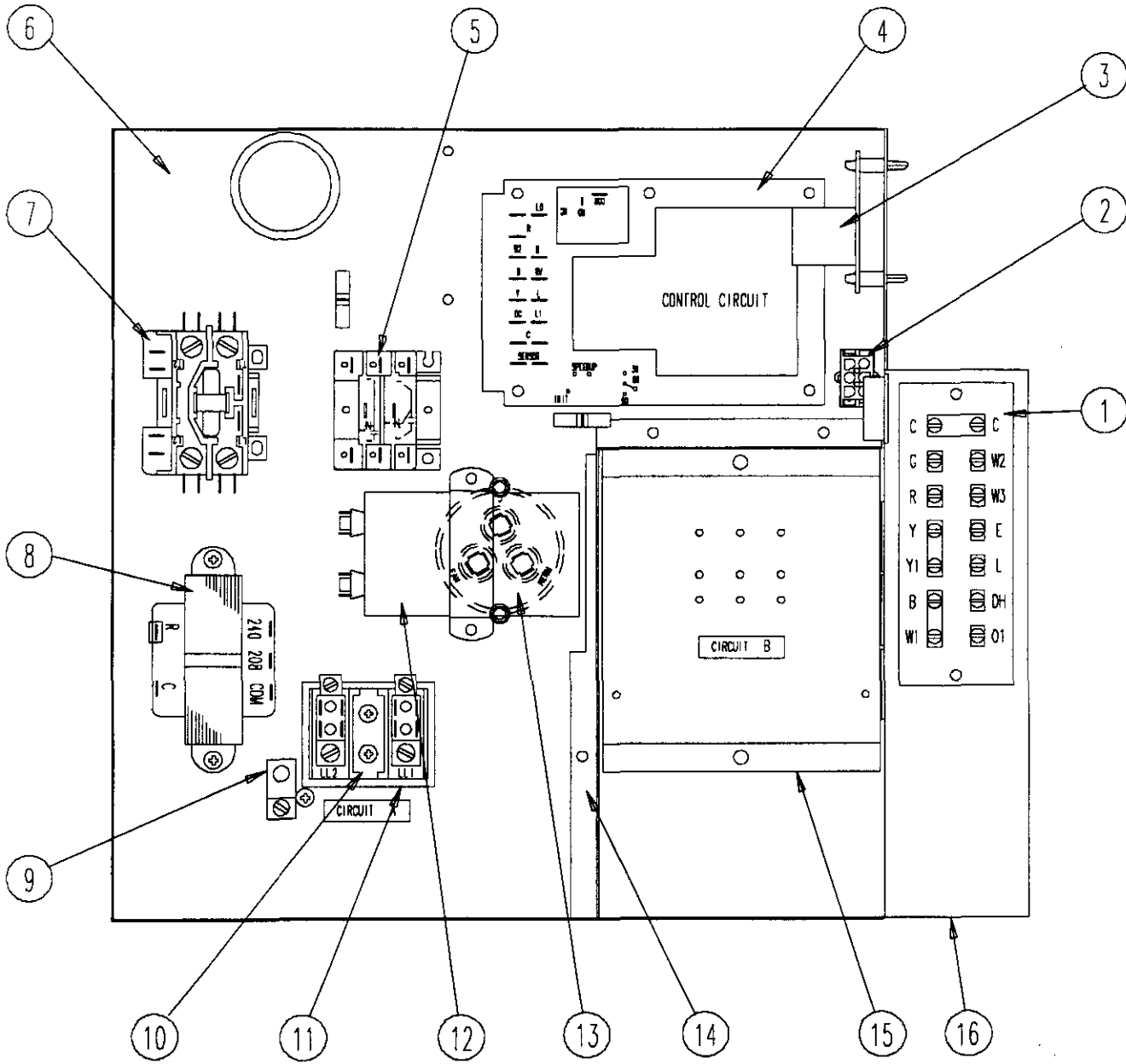
SEXP-158

CONTROL PANEL

Drawing No.	Part No.	Description	PH1124	PH1124-D	PH1130	PH1136
1	8201-069	Heat Pump Control	X	X	X	X
2	8607-010	Terminal Strip	X	X	X	X
3	8201-056	Blower Control	X	X	X	X
5	8201-008	Defrost Heat Relay	X	X	X	X
6	8401-007	Contactora	X	X	X	X
7	8407-035	Transformer	X	X	X	X
8	8607-013	Terminal Block	X	X	X	X
10	116X076	Control Panel Partition	X	X	X	X
11	134-095	Terminal Block Shield	X	X	X	X
12	116X072	Low Voltage Box	X	X	X	X
13	516Y141	Control Panel	X	X	X	X
14	3000-976	Wire Assembly	X	X		
14	3000-974	Wire Assembly			X	X
15	8201-013	Emergency Heat Relay			X	X
17	8611-006	Ground Terminal	X	X	X	X
18	8552-047	Capacitor 30/5 – 370	X	X		
18	8552-048	Capacitor 35/5 – 370			X	
18	8552-049	Capacitor 35/5 – 440				X
NS	4098-110	Wiring Diagram	X	X		
NS	4098-120	Wiring Diagram			X	X

NS Not Shown

CONTROL PANEL



SEXP-202

CONTROL PANEL

Drawing No.	Part No.	Description	PH1136-B	PH1136-C	PH1136-D
1	8607-019	Terminal Strip	X	X	X
2	3000-1000	Wire Assembly	X	X	X
3	8201-056	Solid State Blower Control	X		X
3	8201-032	Blower Relay		X	
4	8201-069	Heat Control Pump	X	X	X
5	8201-013	Changeover Relay	X	X	X
6	516-147	Control Panel	X	X	X
7	8401-002	Contactator	X	X	
7	8401-007	Contactator			X
8	8407-035	Transformer	X		X
8	8407-042	Transformer		X	
9	8611-006	Ground Terminal	X	X	X
10	8607-014	Terminal Block	X	X	
10	8607-013	Terminal Block			X
11	8607-015	Phenolic Insulator		X	
12	8552-002	Capacitor 5 - 370	X	X	
12	8552-063	Capacitor 50/5 - 370			X
14	116-149	Control Panel Partition	X	X	X
15	116-150	Terminal Block Support	X	X	X
16	116-148	Low Voltage Box	X	X	X
NS	4065-211	Wiring Diagram	X		
NS	4065-311	Wiring Diagram		X	
NS	4066-114	Wiring Diagram			X

NS Not Shown

