

REPLACEMENT PARTS MANUAL

PACKAGE HEAT PUMP

MODEL: PH1124, PH1130, PH1136

Manual 2110-255 Revision Date 3-30-92 Supersedes

* GENERAL NOTES *

*Revised and/or additional pages may be issued from time to time.
*A complete and current manual consists of pages dated as shown in the following index.

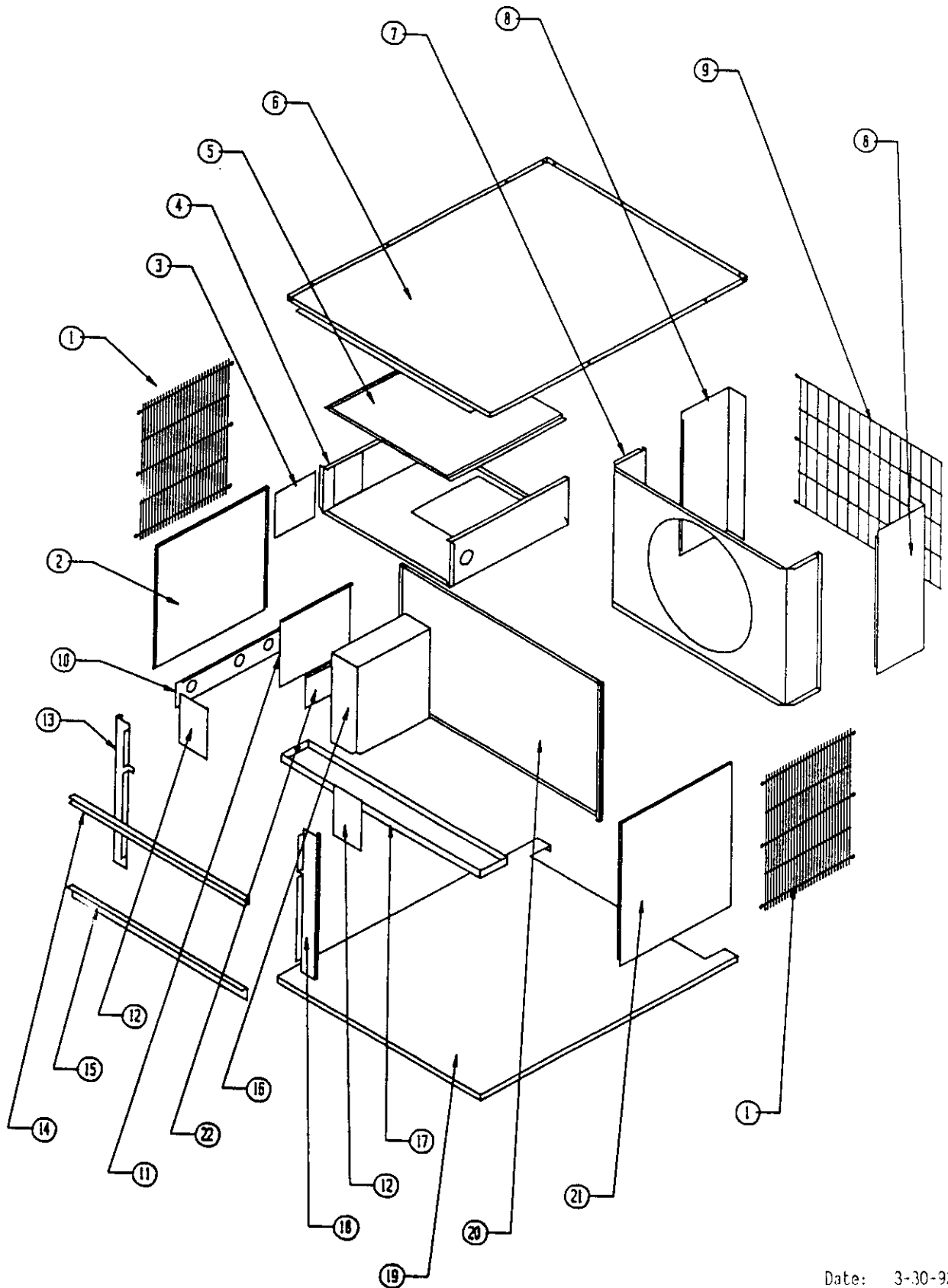
** INDEX **

<u>Page Description</u>	<u>Page</u>	<u>Date</u>	<u>Supersedes</u>
Cabinet Components--Exploded View	1	3-30-92	
" " --Usage List	2	3-30-92	
Functional Components--Exploded View	3	3-30-92	
" " --Usage List	4	3-30-92	
Control Panel--Layout	5	3-30-92	
" " --Usage List	6	3-30-92	

*** IMPORTANT ***

Contact the installing and/or local Bard distributor for all parts requirements. Make sure you have the complete model and serial number available from the unit rating plate.

CABINET COMPONENTS



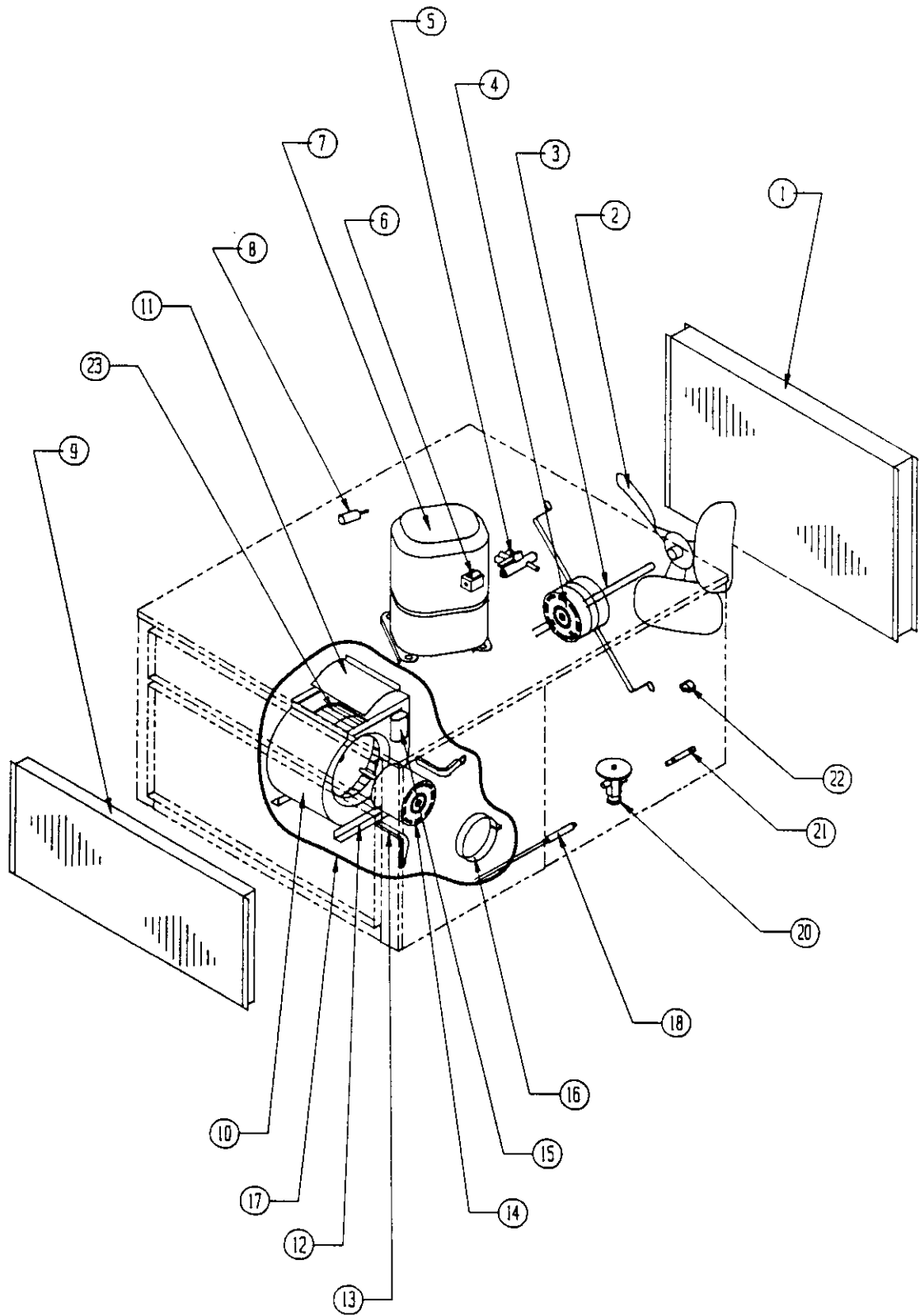
Date: 3-30-92
Supersedes:

CABINET COMPONENTS

Item	Part No.	Description	U S A G E
1	7051-015	Inlet Grille	2
2	500-133	Left Side	x
3	142-017	Cover Plate--OKW	x
4	520-092	Blower Partition (PH1124 only)	x
4	520-066	Blower Partition (all models except PH1124)	x
5	134-017	Heat Strip Shield	x
6	506-011	Top	x
7	124-012	Fan Shroud (PH1124 only)	x
7	124-002	Fan Shroud (all models except PH1124)	x
8	149-043	Rear Corner	2
9	7051-001	Condenser Grille	x
10	556-018	Entrance Panel	x
11	132-035	Control Panel Cover	x
12	136-086	Blower Fill Plates	2
13	549Y044	Left Front Cover	x
14	164-501	Plenum Channel	x
15	104-521	Plenum Angle	x
16	Cntrl Pnl Assembly	See Control Panel Drawing and Parts List	x x
17	123-043	Drain Pan	x
18	549X044	Right Front Corner	x
19	527-011	Base	x
20	520-070	Compressor Partition	x
21	500-132	Right Side	x
22	142-016	Entrance Cover	x

Date: 3-30-92
Supersedes:

FUNCTIONAL COMPONENTS



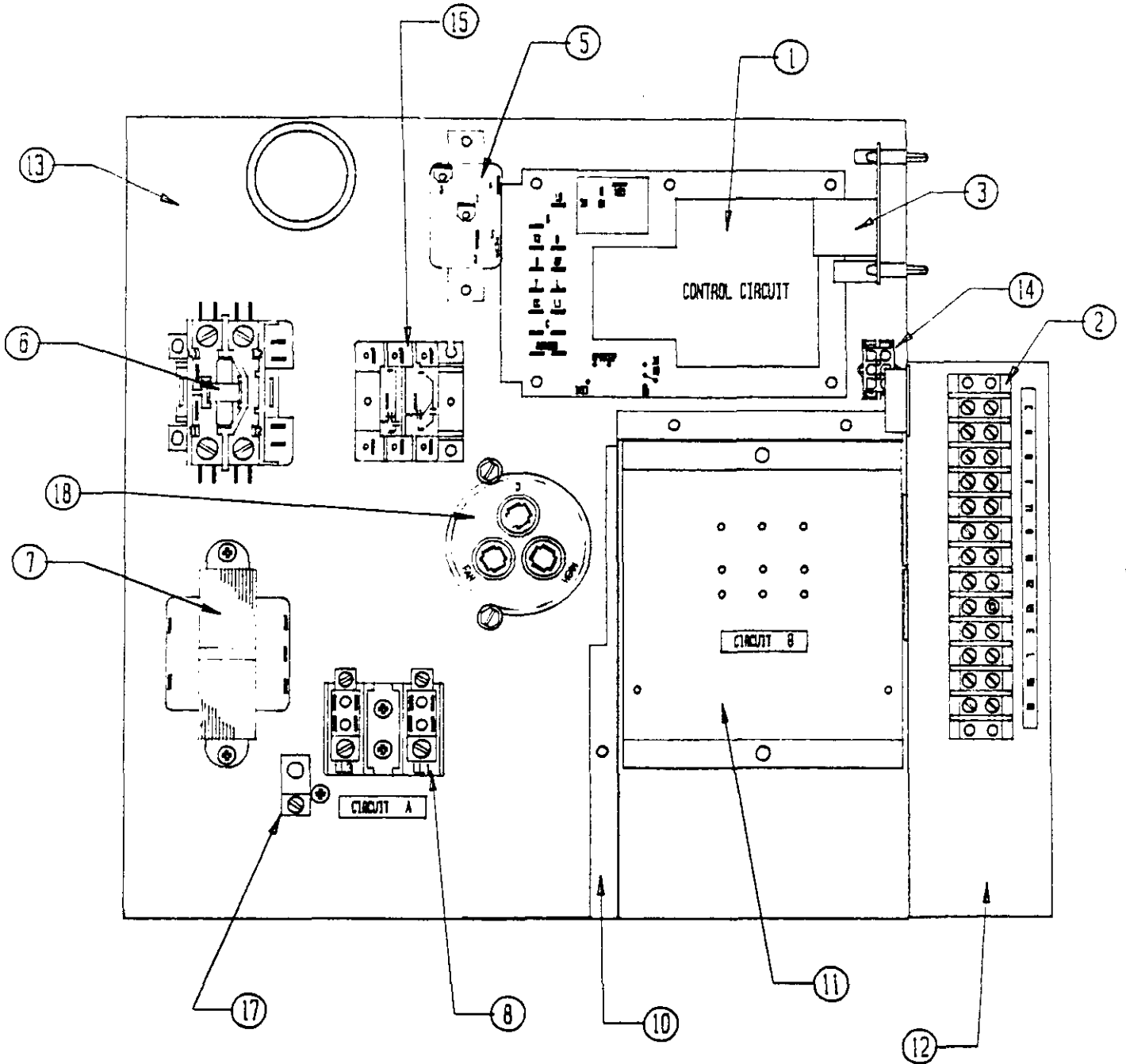
Date: 3-30-92
Supersedes:

FUNCTIONAL COMPONENTS

Dwg. No.	Part No.	Description	P H 1 1 2 4	P H 1 1 3 0	P H 1 1 3 6
1	5051-053	Condenser Coil	X		
1	5051-072	Condenser Coil		X	X
2	5151-034	Fan Blade	X		
2	5151-004	Fan Blade		X	X
3	8200-001	Motor Mount	X	X	X
4	8103-016	Motor	X		
4	8103-019	Motor		X	X
5	5650-013	Reversing Valve	X	X	X
6	5650-008	Reversing Valve Solenoid	X	X	X
7	8000-116	Compressor ZR23K1-PFV-230	X		
7	8000-117	Compressor ZR28K1-PFV-230		X	
7	8000-115	Compressor ZR34K1-PFV-230			X
8	8406-048	High Pressure Switch	X	X	X
9	5060-052	Evaporator Coil	X		
9	5060-068	Evaporator Coil		X	X
10	151-088	Blower Housing	X		
10	151-068	Blower Housing		X	X
11	144-156	Blower Diffuser	X		
11	144-126	Blower Diffuser		X	X
12	104-787	Blower Angle	X	X	X
13	8200-036	Motor Mount Arm	3		
13	8200-034	Motor Mount Arm		3	3
14	8105-032	Motor	X		
14	8105-024	Motor		X	X
15	8552-002	Capacitor 5/370	X	X	X
16	8200-033	Motor Mount Band	X	X	X
17	900-146	Complete Blower Assembly	X		
17	900-133	Complete Blower Assembly		X	X
18	800-0192	Cooling Flow Control Assembly	X		
18	800-0196	Cooling Flow Control Assembly		X	
18	800-0195	Cooling Flow Control Assembly			X
20	5651-090	Expansion Valve	X	X	
20	5651-091	Expansion Valve			X
21	5651-036	Check Valve	X	X	X
22	8408-027	Defrost Sensor	X	X	X
23	5152-065	Blower Wheel	X		
23	5152-013	Blower Wheel		X	X

Date: 3-30-92
Supersedes:

CONTROL PANEL



Date: 3-30-92
Supersedes:

CONTROL PANEL

Dwg. No.	Part No.	Description	P	P	P
			H	H	H
			1	1	1
			1	1	1
			2	3	3
			4	0	6
1	8201-061	Heat Pump Control	X	X	X
2	8607-010	Terminal Strip	X	X	X
3	8201-056	Blower Control	X	X	X
5	8201-008	Defrost Heat Relay	X	X	X
6	8401-007	Contactora	X	X	X
7	8407-035	Transformer	X	X	X
8	8607-013	Terminal Block	X	X	X
10	116X076	Control Panel Partition	X	X	X
11	134-095	Terminal Block Shield	X	X	X
12	116X072	Low Voltage Box	X	X	X
13	516Y141	Control Panel	X	X	X
14	3000-976	Wire Assembly	X		
14	3000-974	Wire Assembly		X	X
15	8201-013	Em. Heat Relay		X	X
17	8611-006	Ground Terminal	X	X	X
18	8552-047	Capacitor 30/5 - 370	X		
18	8552-048	Capacitor 35/5 - 370		X	
18	8552-049	Capacitor 35/5 - 440			X
	4098-110	Wiring Diagram	X		
	4098-120	Wiring Diagram		X	X

Date: 3-30-92

Supersedes:

2110-255

Page: 6