

REPLACEMENT PARTS MANUAL

PACKAGE HEAT PUMP

MODEL: PH1142

Manual 2110-256

Revision

Date 3-30-92

Supersedes

* GENERAL NOTES *

*Revised and/or additional pages may be issued from time to time.
*A complete and current manual consists of pages dated as shown in the following index.

** INDEX **

<u>Page Description</u>	<u>Page</u>	<u>Date</u>	<u>Supersedes</u>
Cabinet Components--Exploded View	1	3-30-92	
" " --Usage List	2	3-30-92	
Functional Components--Exploded View	3	3-30-92	
" " --Usage List	4	3-30-92	
Control Panel--Layout	5	3-30-92	
" " --Usage List	6	3-30-92	

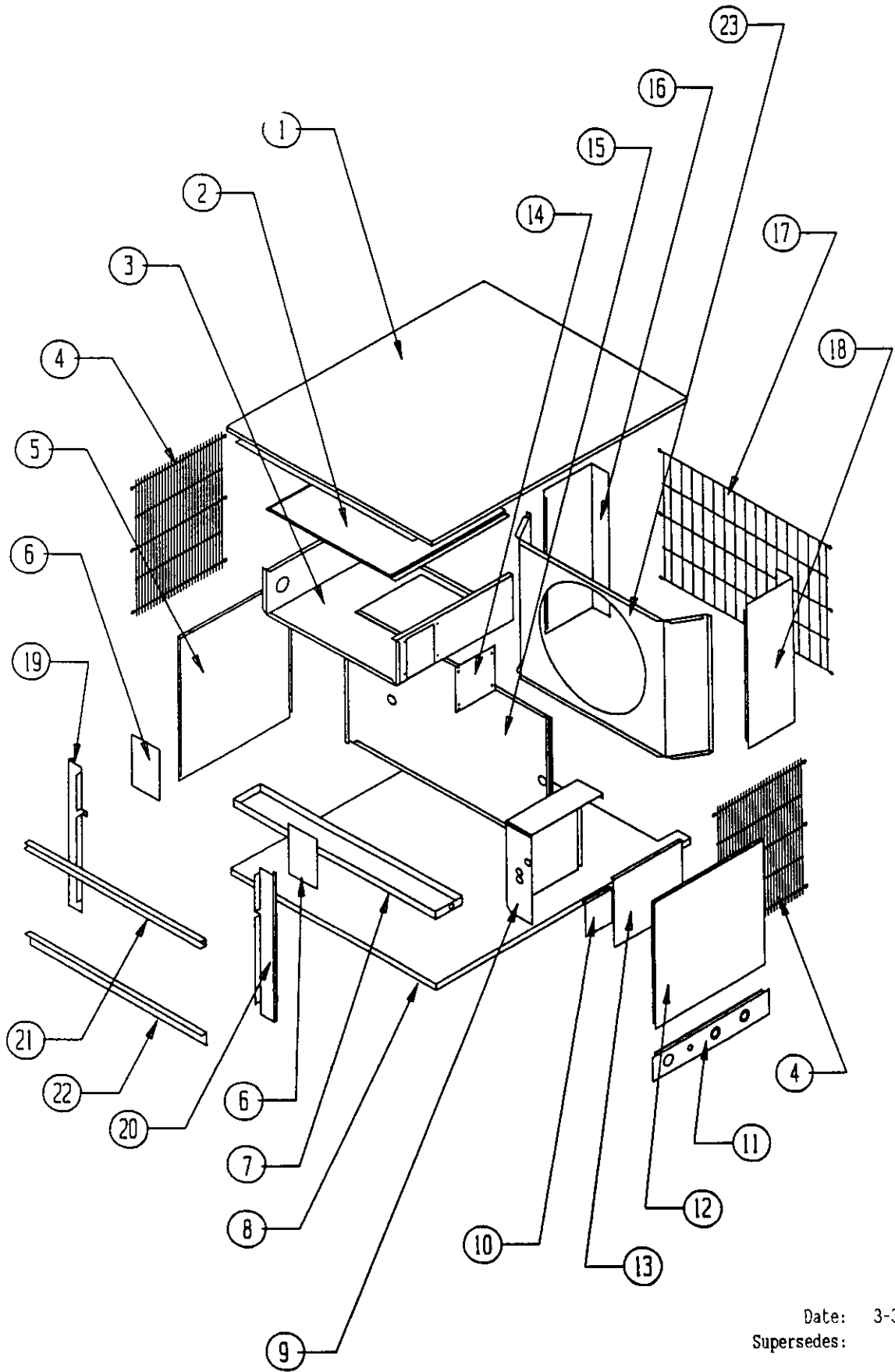
*** IMPORTANT ***

Contact the installing and/or local Bard distributor for all parts requirements. Make sure you have the complete model and serial number available from the unit rating plate.

BARD MANUFACTURING COMPANY

BRYAN, OHIO 43506

CABINET COMPONENTS



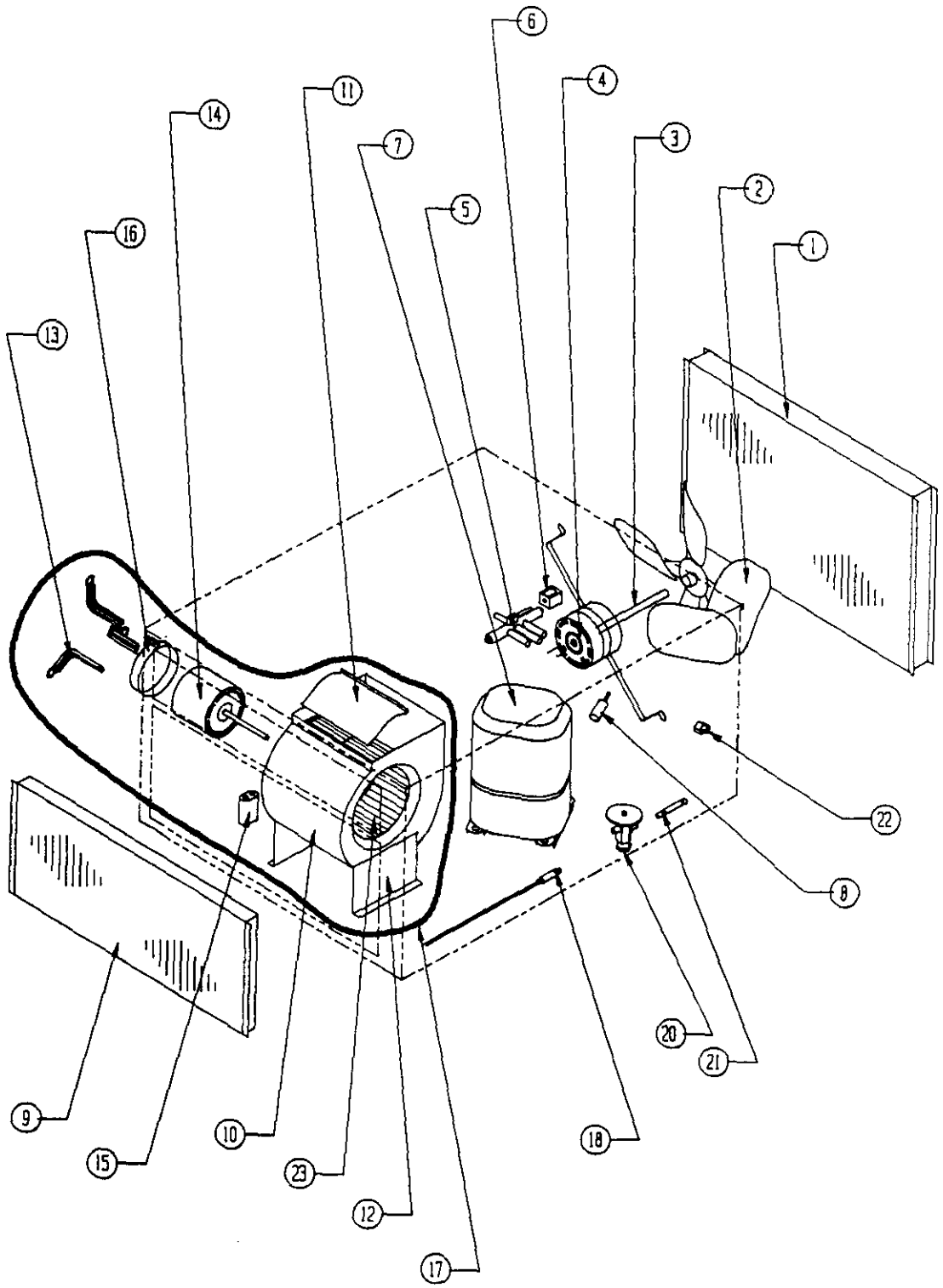
Date: 3-30-92
Supersedes:

CABINET COMPONENTS

Item	Part No.	Description	U S A G E
1	506-012	Top	X
2	134-021	Heat Strip Shield	X
3	520-067	Blower Partition	X
4	7051-007	Side Grille	2
5	500-144	Left Side	X
6	136-011	Side Fills	2
7	123-048	Drain Pan	X
8	527-012	Base	X
9	Control Panel	See control panel drawing and parts list	X
10	142-016	Entrance Cover Plate	X
11	556-015	Entrance Panel	X
12	500-020	Right Side	X
13	132-035	Control Panel Cover	X
14	142-017	OKW Cover Plate	X
15	520-069	Compressor Partition	X
16	149-053	Left Rear Corner	X
17	7051-005	Condenser Grille	X
18	149-052	Right Rear Corner	X
19	549-050	Left Front Corner	X
20	549-016	Right Front Corner	X
21	164-502	Plenum Channel	X
22	104-525	Plenum Angle	X
23	124-010	Fan Shroud	X

Date: 3-30-92
Supersedes:

FUNCTIONAL COMPONENTS



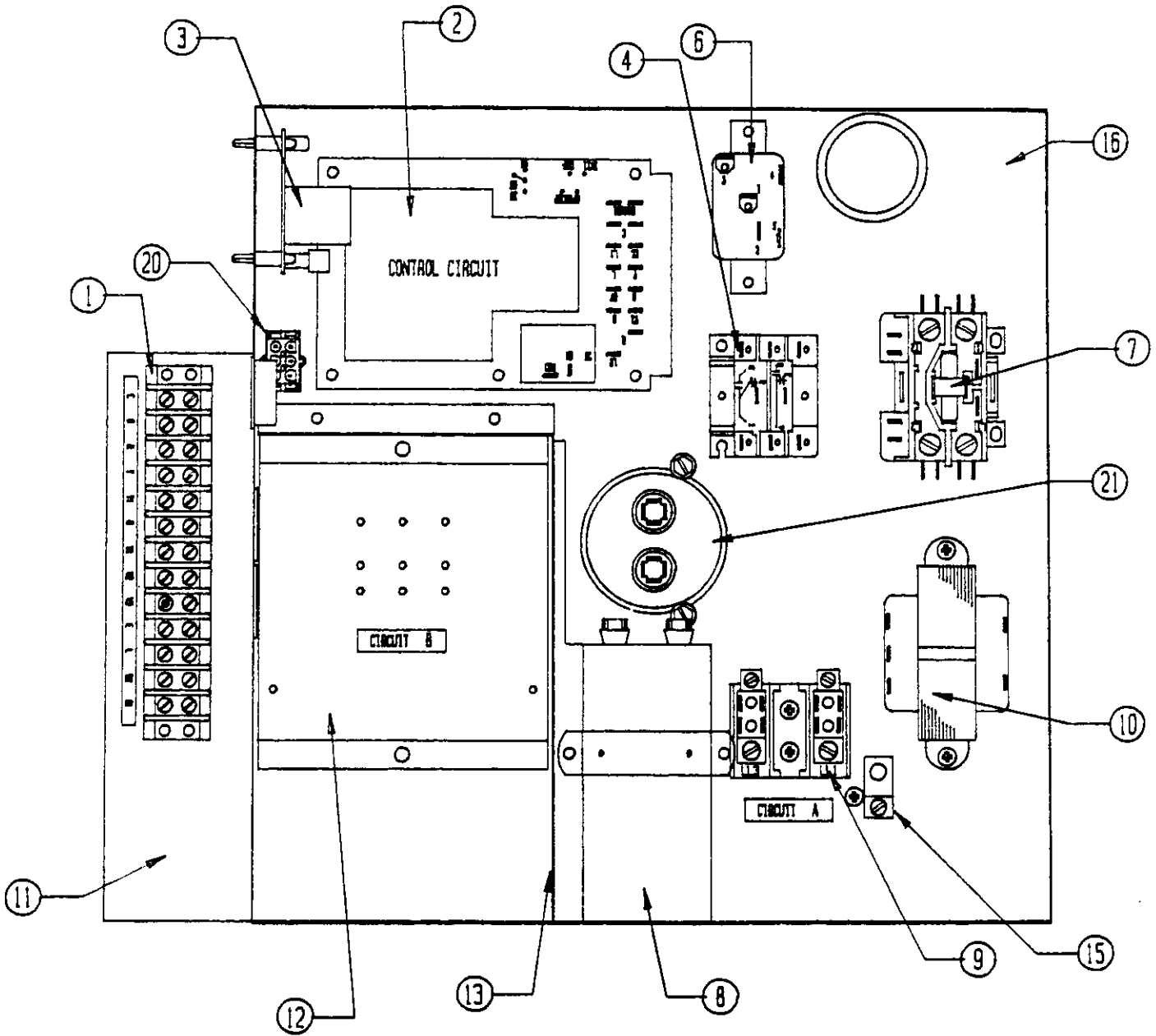
Date: 3-30-92
Supersedes:

FUNCTIONAL COMPONENTS

Dwg. No.	Part No.	Description	P H 1 1 4 2
1	5051-073	Condenser Coil	x
2	5151-029	Fan Blade	x
3	8200-004	Motor Mount	x
4	8105-035	Motor	x
5	5650-010	Reversing Valve	x
6	5650-008	Reversing Valve Solenoid	x
7	8000-109	Compressor ZR40X1-PFV-230	x
8	8406-048	High Pressure Switch	x
9	5060-025	Evaporator Coil	x
10	151-097	Blower Housing	x
11	144-130	Blower Diffuser	x
12	104-795	Blower Leg	2
13	8200-034	Motor Mount Arm	3
14	8106-015	Motor	x
15	8552-005	Capacitor 10/370	x
16	8200-033	Motor Mount Band	x
17	900-137	Complete Blower Assembly	x
18	800-0190	Cooling Flow Control Assembly	x
20	5651-092	Expansion Valve	x
21	5651-036	Check Valve	x
22	8408-027	Defrost Sensor	x
23	5152-045	Blower Wheel	x

Date: 3-30-92
Supersedes:

CONTROL PANEL



Date: 3-30-92
Supersedes:

CONTROL PANEL

Dwg. No.	Part No.	Description	P H 4 2 1
1	8607-010	Terminal Strip	x
2	8201-061	Heat Pump Control	x
3	8201-056	Blower Relay	x
4	8201-013	Emergency Heat Relay	x
6	8201-008	Defrost Heat Relay	x
7	8401-007	Contactora	x
8	8552-005	Capacitor 10/370	x
9	8607-013	Terminal Block	x
10	8407-035	Transformer	x
11	116Y072	Low Voltage Box	x
12	134-095	Terminal Block Shield	x
13	116Y076	Control Panel Partition	x
15	8611-006	Ground Terminal	x
16	516X141	Control Panel	x
20	3000-974	Wire Assembly	x
21	8552-028	Capacitor 35/440	x
	4098-130	Wiring Diagram	x

Date: 3-30-92
Supersedes:

