

REPLACEMENT PARTS MANUAL

PACKAGED AIR CONDITIONER AND HEAT PUMP ECONOMIZERS MODEL ECR-3, ECR-5

Manual 2110-352

Revision --

Date 12-21-89

Supersedes

* GENERAL NOTES *

*Revised and/or additional pages may be issued from time to time.
*A complete and current manual consists of pages dated as shown in the following index.

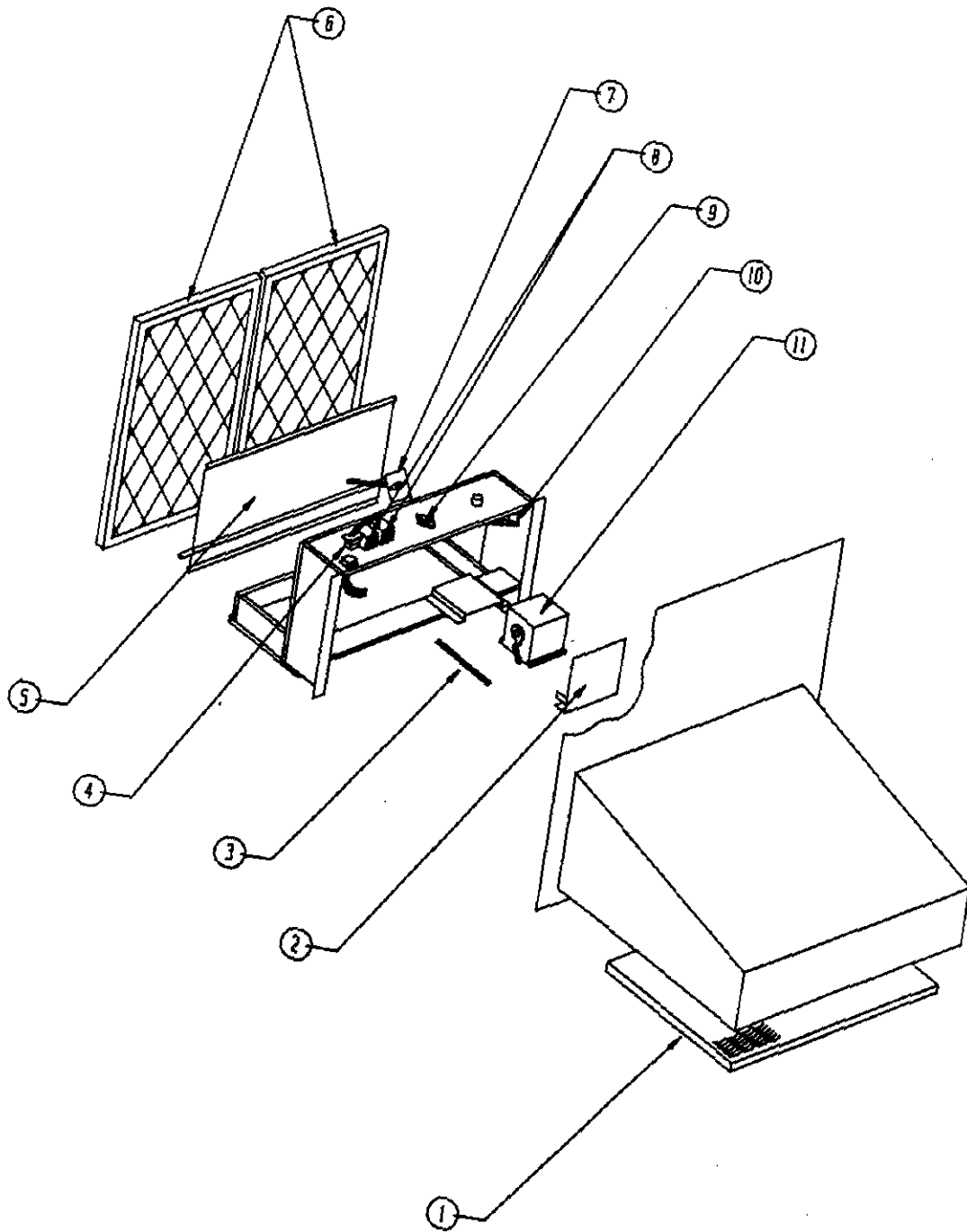
** INDEX **

<u>Page Description</u>	<u>Page</u>	<u>Date</u>	<u>Supersedes</u>
Functional Components--Exploded View	1	12-21-89	
" " --Usage List	2	12-21-89	

*** IMPORTANT ***

Contact the installing and/or local Bard distributor for all parts requirements. Make sure you have the complete model and serial number available from the unit rating plate.

FUNCTIONAL COMPONENTS



Date: 12-21-89
Supersedes:

FUNCTIONAL PARTS

Dwg. No.	Part No.	Description	ECR-3	ECR-5
1	7002-013	Moisture Eliminator	X	
1	7002-012	Moisture Eliminator		X
2	*	Shield	X	X
3	*	Linkage Rod		
4	*	Pigtail		
5	*	Damper Blade		
6	8602-029	Filter 16 x 25	1	
6	8602-030	Filter 16 x 28		2
7	8602-023	Thermostor Sensor	X	X
8	8602-034	Relay TPDT	2	2
9	8602-026	Compressor Lockout Thermostat	X	X
10	8602-025	Enthalpy Control	X	X
11	8602-022	Damper Motor	X	X
	4074-130	Wiring Diagram	X	X

*Contact factory for information.

Date: 12-21-89
Supersedes: