

Replacement Parts Manual

Wall Mounted Package Air Conditioner

Models: WA301, WA361



General Notes

- Revised and/or additional pages may be issued from time to time.
- A complete and current manual consists of pages shown in the following contents section.

Important

- Contact the installing and/or local Bard distributor for all parts requirements. Make sure you have the complete model and serial number available from the unit rating plates.

Contents

<u>Description</u>	<u>Page</u>
Cabinet Components	
♦ Exploded View	1
♦ Usage List	2
Functional Components	
♦ Exploded View	3
♦ Usage List	4
Control Panel	
♦ Exploded View	5
♦ Usage List	6
Blower Assembly	
♦ Exploded View	7
♦ Usage List	7

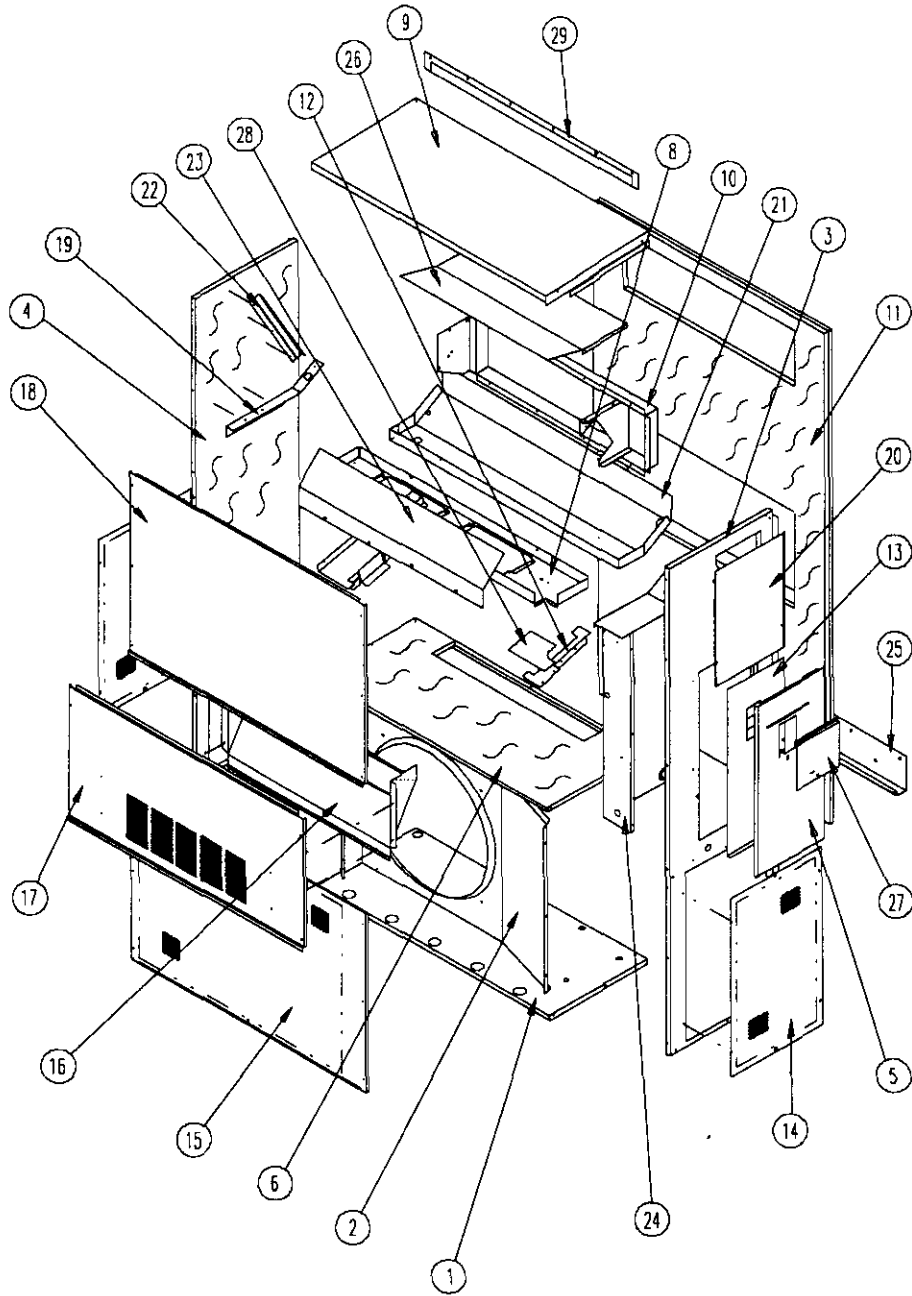


BARD MANUFACTURING COMPANY
Bryan, Ohio 43506

Since 1914...Moving ahead, just as planned.

Manual: 2110-409 Rev. J
File: 2150-004, Tab 16
Date: 09-23-96

Cabinet Components

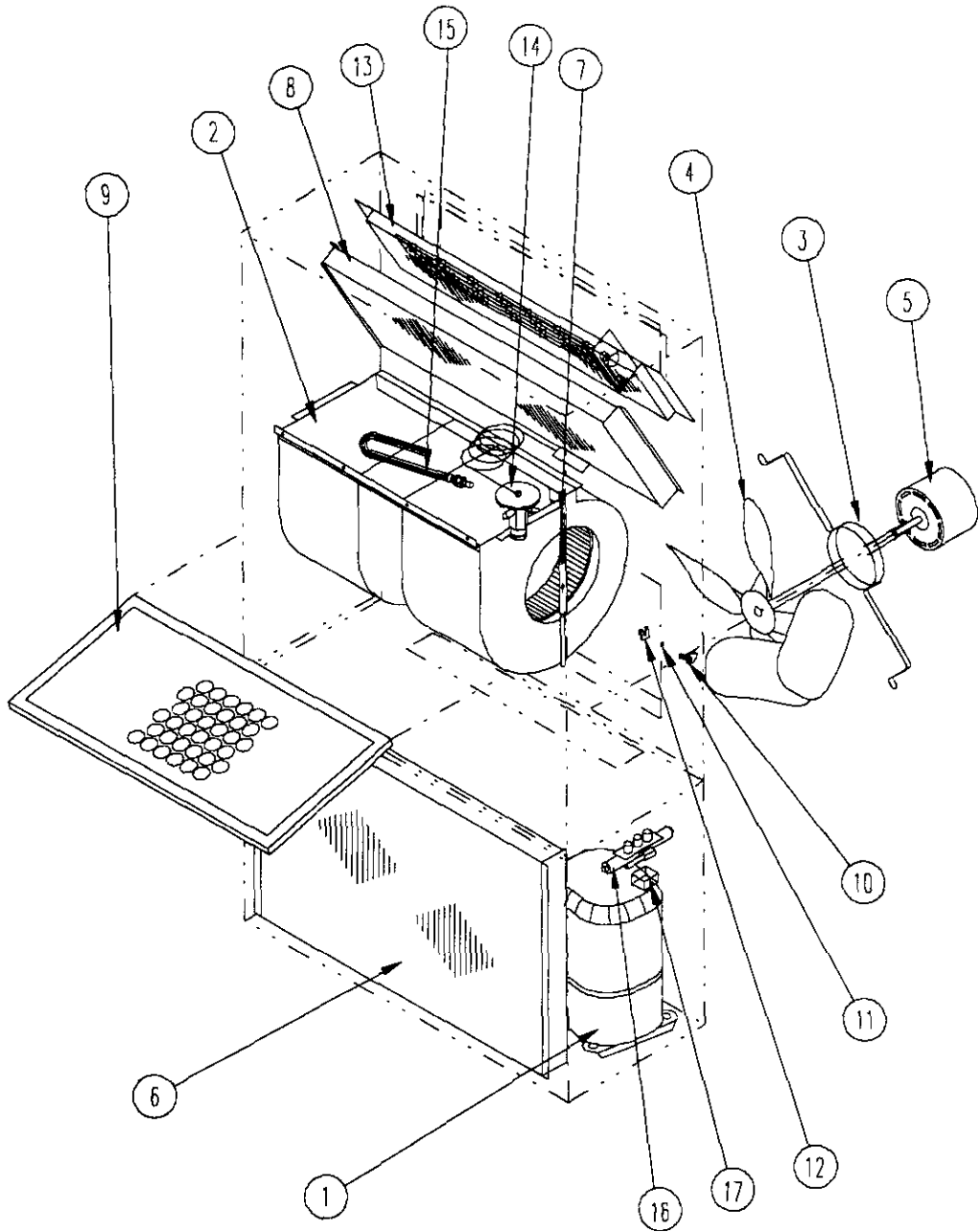


Cabinet Components

Drawing No.	Part No.	Description	WA301-A,B,D	WA301-C	WA301-F	WA361-A,B,D,E	WA361-C	WA361DA	WA361-F	WA361HA,B	WA361HC	WA361HF
1	S127-199	Lower Base	*	*	*	*	*	*	*	*	*	*
2	125-022	Fan Shroud	*	*	*	*	*	*	*	*	*	*
3	S500-228.* ①	Right Side	*	*	*	*	*	*	*	*	*	*
4	S500-229.* ①	Left Side	*	*	*	*	*	*	*	*	*	*
5	S533-109.* ①	Control Panel Cover (Outer)	*	*	*	*	*	*	*	*	*	*
6	S520X181	Condenser Partition	*	*	*	*	*	*	*	*	*	*
8	121X182	Blower Partition	*	*	*	*	*	*	*	*	*	*
9	S506-130.* ①	Top	*	*	*	*	*	*	*	*	*	*
10	S111X030	Outlet Airframe Assembly	*	*	*	*	*	*	*	*	*	*
11	S508-088	Back	*	*	*	*	*	*	*	*	*	*
12	113X196	Filter Bracket	2	2	2	2	2	2	2	2	2	2
13	S132-104	Control Panel Cover (Inner)	*	*	*	*	*	*	*	*	*	*
13	S132-110	Control Panel Cover (Inner)	*	*	*	*	*	*	*	*	*	*
14	118-028.* ①	Side Grille	2	2	2	2	2	2	2	2	2	2
15	118-029.* ①	Condenser Grille	*	*	*	*	*	*	*	*	*	*
16	962014	Fresh Air Damper Assembly	*	*	*	*	*	*	*	*	*	*
17	S552-206.* ①	Service Door	*	*	*	*	*	*	*	*	*	*
18	S514-072.* ①	Upper Front	*	*	*	*	*	*	*	*	*	*
19	105X850	Left Side Support	*	*	*	*	*	*	*	*	*	*
20	S143-034.* ①	Right Side Cover Plate (Outer)	*	*	*	*	*	*	*	*	*	*
21	S123-078	Drain Pan	*	*	*	*	*	*	*	*	*	*
22	147-044.*	Evaporator Support	*	*	*	*	*	*	*	*	*	*
23	135-124	Air Baffle	*	*	*	*	*	*	*	*	*	*
24	Control Panel Assembly	See Control Panel Assembly Drawing and Parts List	*	*	*	*	*	*	*	*	*	*
25	113-140	Bottom Mounting Bracket	1	1	1	1	1	1	1	1	1	1
26	135X123	Heat Shield	*	*	*	*	*	*	*	*	*	*
7	S153-218.* ①	Disconnect Access Door	*	*	*	*	*	*	*	*	*	*
8	137-259	Fill Plate	*	*	*	*	*	*	*	*	*	*
28	136-212	Fill Plate	*	*	*	*	*	*	*	*	*	*
29	113-149.* ①	Top Rain Flashing	*	*	*	*	*	*	*	*	*	*

① NOTE: Exterior cabinet parts are manufactured with various paint color options. To insure that you receive the proper paint color, you must include the complete model and serial number of the unit for which cabinet parts are being ordered.

Functional Components

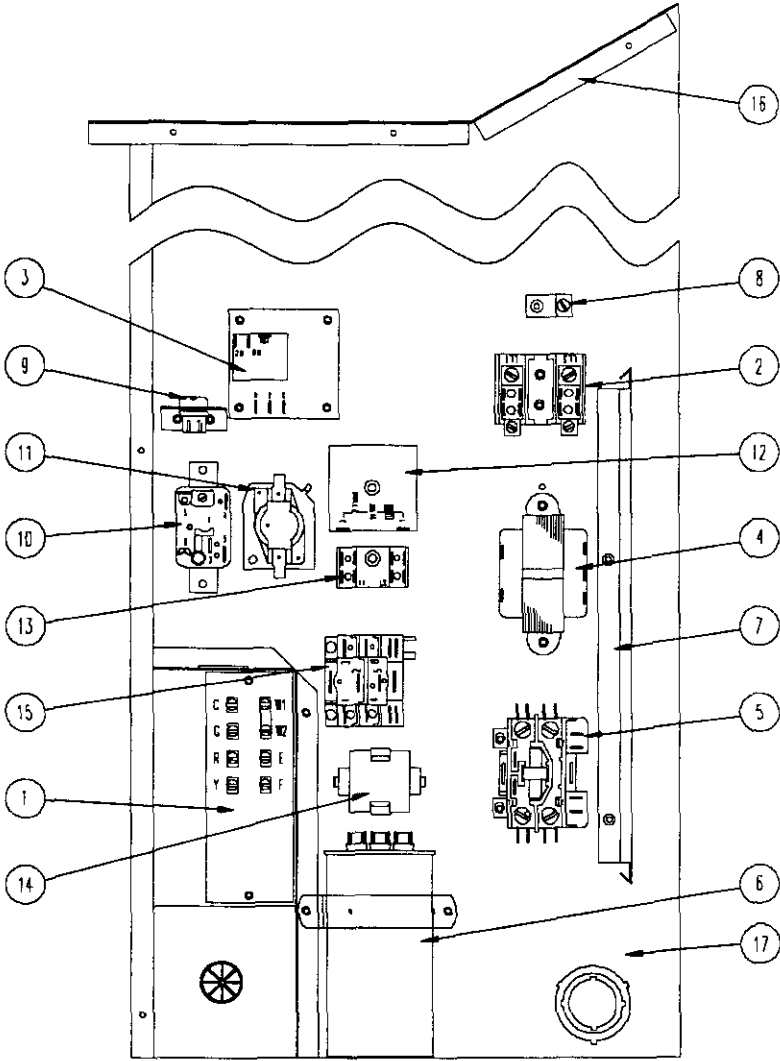


Functional Components

Dwg. No.	Part No.	Description	WA301-A	WA301-B	WA301-C	WA301-D	WA301-F	WA361-A	WA361-B	WA361-C	WA361-D	WA361-E	WA361-F	WA361DA	WA361HA	WA361HB	WA361HC	WA361HF
1	8000-125	Compressor																
1	8000-132	Compressor	•															
1	8000-133	Compressor							•							•		
1	8000-134	Compressor								•							•	•
1	8000-135	Compressor		•														
1	8000-136	Compressor			•		•											
1	8000-144	Compressor				•												
1	8000-145	Compressor									•							
2	S900-179	Blower Assembly	•	•		•	•	•	•		•	•	•	•	•	•	•	•
2	S900-180	Blower Assembly			•					•								•
3	8200-001	Fan Motor Mount	•	•	•	•	•	•	•	•	•	•	•	•	•	•	•	•
4	5151-045	Fan Blade	•	•	•	•	•	•	•	•	•	•	•	•	•	•	•	•
5	8103-013	Condenser Motor	•	•		•	•	•	•		•	•	•	•	•	•	•	•
5	8103-020	Condenser Motor			•					•								•
6	5051-066	Condenser Coil						•	•	•	•	•	•	•	•	•	•	•
6	5051-068	Condenser Coil	•	•	•													
7	800-0185	Cooling Capillary Assembly						•	•	•	•	•	•	•	•	•	•	•
7	800-0184	Cooling Capillary Assembly	•	•	•													
8	5060-064	Evaporator Coil	•	•	•			•	•	•	•	•	•	•	•	•	•	•
8	5060-076	Evaporator Coil												•				
9	7004-019	Air Filter 1" Throw-Away	•	•	•	•	•	•	•	•	•	•	•	•	•	•	•	•
9	7003-031	Air Filter 1" Washable ①	•	•	•	•	•	•	•	•	•	•	•	•	•	•	•	•
9	7004-026	Air Filter 2" Pleated ①	•	•	•	•	•	•	•	•	•	•	•	•	•	•	•	•
10	1171-022	1/4" Turn Fastener	•	•	•	•	•	•	•	•	•	•	•	•	•	•	•	•
11	1171-024	1/4" Turn Retainer	•	•	•	•	•	•	•	•	•	•	•	•	•	•	•	•
12	1171-023	1/4" Receptacle	•	•	•	•	•	•	•	•	•	•	•	•	•	•	•	•
13	5051-082	Pre-Condenser Coil																
14	5651-071	TXV																
15	5625-015	Distributor																
16	5650-026	Three-Way Valve																
17	5650-027	Solenoid																
NS	8406-055	High Pressure Switch (Solder) ①	•	•	•	•	•	•	•	•	•	•	•	•	•	•	•	•
NS	8406-061	Low Pressure Switch (Solder) ①	•	•	•	•	•	•	•	•	•	•	•	•	•	•	•	•
NS	8406-062	Low Ambient Control (Solder) ①	•	•	•	•	•	•	•	•	•	•	•	•	•	•	•	•
NS	1804-0106	High Pressure Switch (Flare) ①	•	•	•	•	•	•	•	•	•	•	•	•	•	•	•	•
NS	1804-0107	Low Pressure Switch (Flare) ①	•	•	•	•	•	•	•	•	•	•	•	•	•	•	•	•
NS	1804-010	Low Ambient Control (Flare) ①	•	•	•	•	•	•	•	•	•	•	•	•	•	•	•	•
NS	5201-001	Filter Dryer																
NS	5201-014	Sight Glass																
NS	5202-016	Accumulator																
NS	5203-004	Receiver																
NS	5651-051	Shut-Off Valve																
NS	5651-096	Hot Gas Bypass Valve																
NS	5651-097	Head Pressure Control Valve																
NS	5651-098	Distributor																
NS	5651-100	TXV																

NS — Not Shown
 ① — Optional

Control Panel



Control Panel

Drawing No.	Part No.	Description	WA301-A	WA301-B	WA301-C	WA301-D	WA301-F	WA361-A, WA361HA	WA361-B, WA361HB	WA361-C, WA361HC	WA361-D	WA361-E	WA361-F, WA361HF	WA361DA
1	8607-020	Low Voltage Terminal Strip	*	*	*	*	*	*	*	*	*	*	*	*
2	8607-013	Terminal Block 2 Pole	*			*	2	*			*		2	*
2	8607-014	Terminal Block 3 Pole		*	*				*	*		*		
2	8607-015	Phelon Insulator			*		2			*			2	
3	8201-056	Blower Control	*	*		*	*	*	*	*	*	*	*	*
3	8201-032	Blower Relay			*					*				
4	8407-034	Transformer	*	*		*	*	*	*		*	*	*	
4	8407-035	Transformer												*
4	8407-042	Transformer			*					*				
5	8401-007	Compressor Contactor	*			*	*			*	*		*	*
5	8401-002	Compressor Contactor		*	*		*	*	*	*	*	*	*	*
6	8552-048	Compressor Capacitor	*			*		*		*	*		*	*
6	8552-050	Compressor Capacitor						*		*	*		*	*
6	8552-002	Outdoor Motor Capacitor		*	*		*	*	*	*	*	*	*	*
7	135-122	Wire Shield	*	*	*	*	*	*	*	*	*	*	*	*
8	8611-006	Ground Terminal	*	*	*	*	*	*	*	*	*	*	*	*
9	3000-968	6 Pin Connector	*	*	*	*	*	*	*	*	*	*	*	*
10	8201-009	Relay												*
10	8201-034	Lockout Relay (Optional)	*	*	*	*	*	*	*	*	*	*	*	*
11	8201-065	Low Pressure Bypass (TDR) (Optional)	*	*	*	*	*	*	*	*	*	*	*	*
11	8201-071	Relay												*
12	8201-050	Compressor TDR (Optional)	*	*	*	*	*	*	*	*	*	*	*	*
12	8201-067	Compressor TDR Adj (Optional)	*	*	*	*	*	*	*	*	*	*	*	*
13	8201-062	Alarm Relay (Optional)	*	*	*	*	*	*	*	*	*	*	*	*
13	8607-017	Terminal Block (Optional) (Shown)	*	*		*	*	*	*		*	*	*	*
14	8551-005	Start Device (PTCR) (Optional)	*			*	*	*		*	*		*	*
15	8201-032	Outdoor Fan Relay (Optional)			*					*				
16	117-137	Control Panel Top	*	*	*	*	*	*	*	*	*	*	*	*
17	117-123	Control Panel	*	*	*	*	*	*	*	*	*	*	*	*
	4095-110	Wiring Diagram	*			*	*	*		*	*			
	4095-118	Wiring Diagram												*
	4095-210	Wiring Diagram		*				*	*		*	*		
	4095-310	Wiring Diagram			*				*	*				
	4095-610	Wiring Diagram				*	*	*		*	*	*	*	*

Blower Assembly

Drawing No.	Part No.	Description	900-179	900-180
1	5152-051	Housing, Wheel and Cutoff (CW)	•	•
2	5152-052	Housing, Wheel and Cutoff	•	•
3	8105-029	Blower Motor (230/208)	•	
3	8105-033	Blower Motor (460)		•
4	8552-002	Capacitor	•	•
5	8200-031	Motor Mount	•	•
6	5451-011	Grommets	6	6
7	105-870	Back Brace	•	•
8	104-868	Side Angle	4	4
9	103-401	Front Brace	•	•

