
REPLACEMENT PARTS MANUAL

WALL MOUNTED PACKAGE AIR CONDITIONER

Models: WA181, WA241

General Notes

- Revised and/or additional pages may be issued from time to time.
- A complete and current manual consists of pages shown in the following contents section.

Important

- Contact the installing and/or local Bard distributor for all parts requirements. Make sure you have the complete model and serial number available from the unit rating plates.

Contents

Description	Page
Cabinet Components	
♦ Exploded View	1
♦ Usage List	2
Functional Components	
♦ Exploded View	3
♦ Usage List	4
Control Panel	
♦ Exploded View	5
♦ Usage List	6
♦ Exploded View	7
♦ Usage List	8
Blower Assembly	
♦ Exploded View	9
♦ Usage List	9

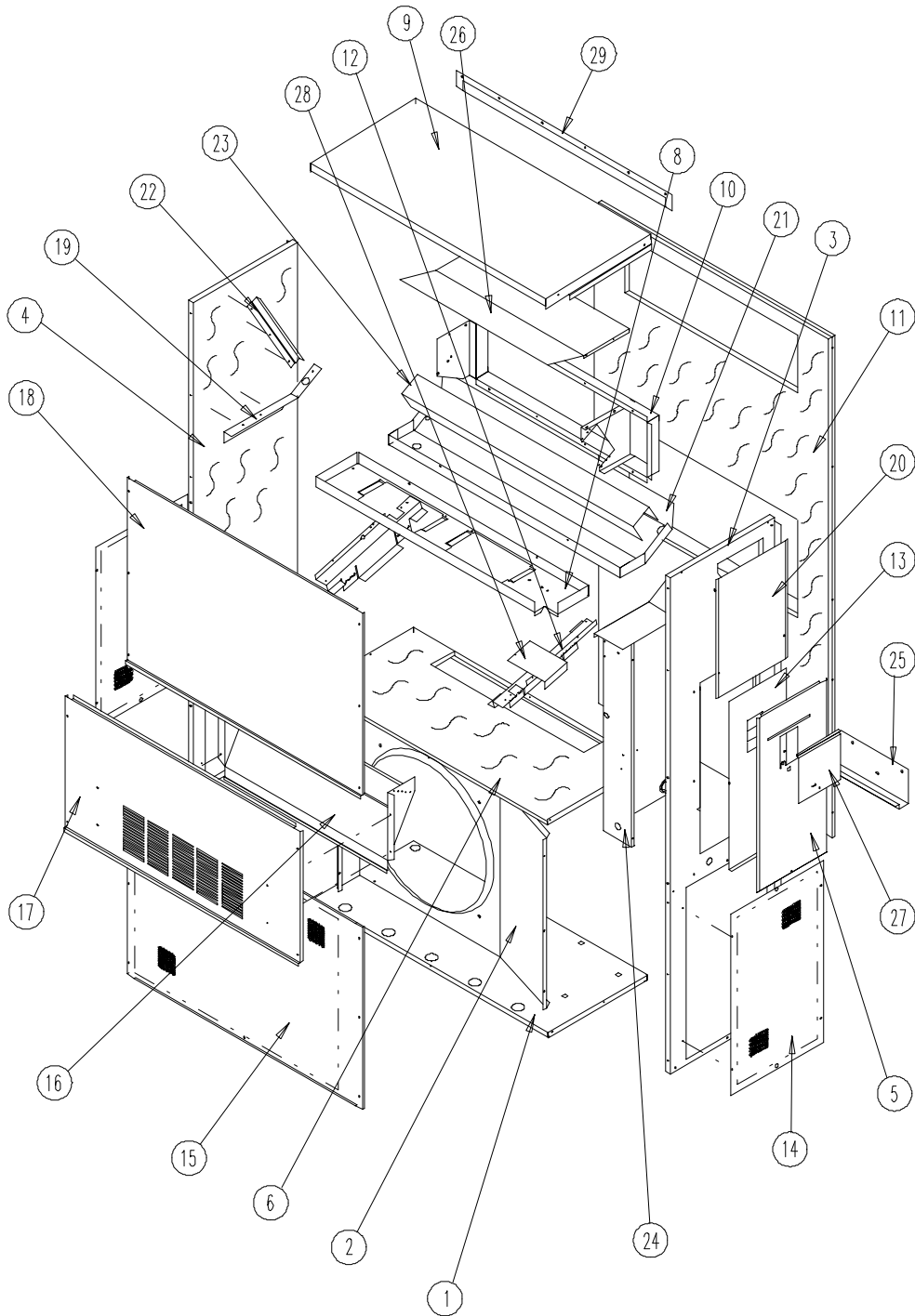


BARD MANUFACTURING COMPANY
Bryan, Ohio 43506

Since 1914...Moving ahead, just as planned.

Manual: 2110-410 K
Supersedes: 2110-410 J
File: 2150-004, Tab 16
Date: 10-05-99

CABINET COMPONENTS



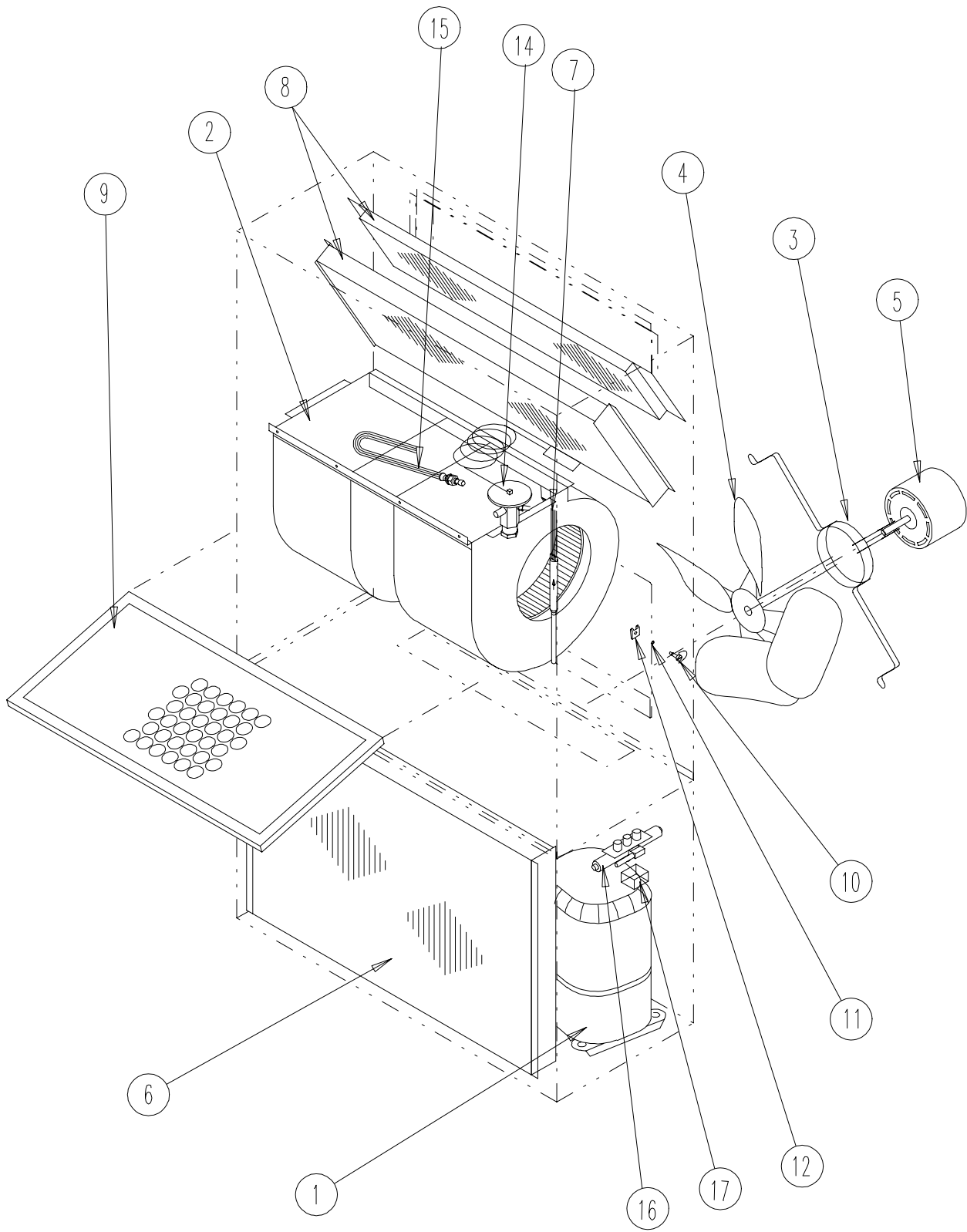
SEXP-171

CABINET COMPONENTS

Drawing No.	Part No.	Description	WA181-A, D	WA241-A, B, D	WA241-F	WA241HA	WA241HB	WA181DA	WA241DA, B
1	S127-204	Lower Base	X	X	X	X	X	X	X
2	125-023	Fan Shroud	X	X	X	X	X	X	X
3	S500-228-* ①	Right Side	X	X	X	X	X	X	X
4	S500-229-* ①	Left Side	X	X	X	X	X	X	X
5	S533-109-* ①	Control Panel Cover (Outer)	X	X	X	X	X	X	X
6	S520X204	Condenser Partition	X	X	X	X	X	X	X
8	121X190	Blower Partition	X	X	X	X	X	X	X
9	S506-137-* ①	Top	X	X	X	X	X	X	X
10	S111X032	Outlet Airframe Assembly	X	X	X	X	X	X	X
11	S508-097	Back	X	X	X	X	X	X	X
12	113X195	Filter Bracket	2	2	2	2	2	2	2
13	S132-104	Control Panel Cover (Inner)	X	X		X	X	X	X
13	132-110	Control Panel Cover (Inner)			X				
14	118-028-* ①	Side Grille	2	2	2	X	X	X	X
15	118-030-* ①	Condenser Grille	X	X	X	X	X	X	X
16	BFAD-2	Fresh Air Damper Assembly	X	X	X	X	X	X	X
17	S552-213-* ①	Service Door	X	X	X	X	X	X	X
18	S514-076-* ①	Upper Front	X	X	X	X	X	X	X
19	105X850	Left Side Support	X	X	X	X	X	X	X
20	S143-034-* ①	Right Side Cover Plate (Outer)	X	X	X	X	X	X	X
21	S123-080	Drain Pan	X	X	X	X	X	X	X
22	147-044	Left Evaporator Support	X	X	X	X	X	X	X
23	137-195	Bottom Evaporator Fill	X	X	X	X	X	X	X
24	Control Panel Assembly	See Control Panel Assembly Drawing and Parts List	X	X	X	X	X	X	X
25	113-140	Bottom Mounting Bracket	X	X	X	X	X	X	X
26	135X127	Heat Shield	X	X	X	X	X	X	X
27	S153-218-* ①	Disconnect Access Door	X	X	X	X	X	X	X
28	137-259	Fill Plate	X	X	X				
28	136-212	Fill Plate				X	X	X	X
29	113-141-* ①	Top Rain Flashing	X	X	X	X	X	X	X

① NOTE: Exterior cabinet parts are manufactured with various paint color options. To insure that you receive the proper paint color, you must include the complete model and serial number of the unit for which cabinet parts are being ordered.

FUNCTIONAL COMPONENTS



SEXP-162

FUNCTIONAL COMPONENTS

Dwg. No.	Part No.	Description	WA181-A	WA181-D	WA241-A	WA241-B	WA241-D	WA241-F	WA241HA	WA241HB	WA181DA	WA241DA	WA241DB
1	8000-139	Compressor	X								X		
1	8000-140	Compressor			X				X			X	
1	8000-141	Compressor				X				X			X
1	8000-142	Compressor						X					
1	8000-143	Compressor					X						
1	8000-186	Compressor		X									
2	S900-181	Blower Assembly	X	X	X	X	X	X	X	X	X	X	X
3	8200-001	Fan Motor Mount	X	X	X	X	X	X	X	X	X	X	X
4	5151-033	Fan Blade	X	X	X	X	X	X	X	X	X	X	X
5	8103-016	Condensor Motor	X	X	X	X	X	X	X	X	X	X	X
6	5051-071	Condensor Coil	X	X	X	X	X	X	X	X	X	X	X
7	800-0197	Cooling Capillary Assembly	X	X									
7	800-0198	Cooling Capillary Assembly			X	X	X	X					
8	5060-066	Evaporator Coil			X	X	X	X	X				
8	5060-067	Evaporator Coil	X	X									
8	917-0035	Coil Assembly										X	X
8	917-0037	Coil Assembly									X		
9	7004-011	Air Filter 1" Throw-Away	X	X	X	X	X	X	X	X	X	X	X
9	7003-032	Air Filter 1" Washable ①	X	X	X	X	X	X	X	X	X	X	X
9	7004-025	Air Filter 2" Pleated ①	X	X	X	X	X	X	X	X	X	X	X
10	1171-022	1/4" Turn Fastener	X	X	X	X	X	X	X	X	X	X	X
11	1171-024	1/4" Turn Retainer	X	X	X	X	X	X	X	X	X	X	X
12	1171-023	1/4" Receptacle	X	X	X	X	X	X	X	X	X	X	X
14	5651-070	TXV									X	X	X
15	5625-013	Distributor									X	X	X
16	5650-026	Three way valve									X	X	X
17	5650-027	Solenoid									X	X	X
NS	1804-0106	High Pressure Switch (Flare)①	X	X	X	X	X	X	X	X	X	X	X
NS	1804-0107	Low Pressure Switch (Flare)①	X	X	X	X	X	X	X	X			
NS	CMA-6	Low Ambient Control (Flare)①	X	X	X	X	X	X					
NS	5201-001	Filter Dryer							X	X			
NS	5201-014	Sight Glass							X	X			
NS	5202-016	Accumulator							X	X			
NS	5203-004	Receiver							X	X			
NS	5651-051	Shut-Off Valve							X	X			
NS	5651-096	Hot Gas Bypass Valve							X	X			
NS	5651-097	Head Pressure Control Valve							X	X			
NS	5651-098	Distributor							X	X			
NS	5651-099	TXV							X	X			

NS – Not Shown

① – Optional on these models

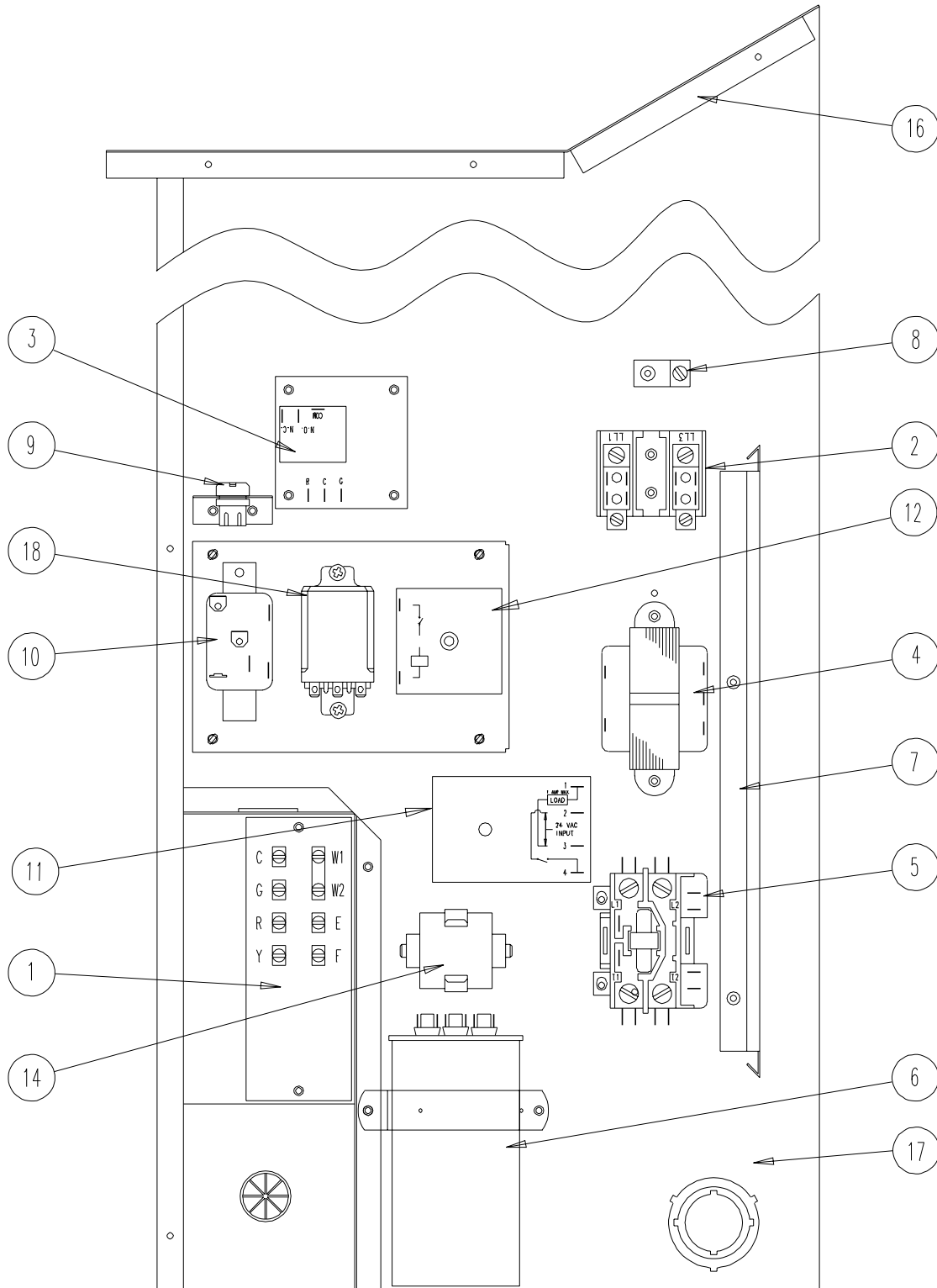
CONTROL PANEL

Drawing No.	Part No.	Description	WA181-A	WA181-D	WA241-A	WA241-B	WA241-D	WA241-F	WA241HA	WA241HB
1	8607-020	Low Voltage Terminal Strip	X	X	X	X	X	X	X	X
2	8607-013	Terminal Block 2 Pole	X	X	X		X	2	X	X
2	8607-014	Terminal Block 3 Pole				X				X
3	8201-056	Blower Control	X	X	X	X	X	X	X	X
4	8407-034	Transformer	X	X	X	X	X	X	X	X
5	8401-007	Compressor Contactor	X	X	X		X		X	
5	8401-002	Compressor Contactor				X		X		X
6	8552-046	Compressor Capacitor	X	X						
6	8552-047	Compressor Capacitor			X		X		X	
6	8552-002	Outdoor MotorCapacitor				X	X			X
7	135-122	Wire Shield	X	X	X	X	X	X	X	X
8	8611-006	Ground Terminal	X	X	X	X	X	X	X	X
9	3000-968	6 Pin Connector	X	X	X	X	X	X	X	X
10	8201-088	Compressor Control Module (Opt.)	X	X	X	X	X	X	X	X
11	8201-062	Alarm Relay (Optional)	X	X	X	X	X	X	X	X
11	8201-089	Low Voltage Terminal Strip								
12	8201-050	Compressor TDR (Optional)	X	X	X	X	X	X	X	X
13	8607-017	Terminal Block (Optional)	X	X	X	X	X	X	X	X
14	8551-005	Start Device (PTCR) (Optional)	X	X	X		X	X	X	
16	117-137	Control Panel Top	X	X	X	X	X	X	X	X
17	117-123	Control Panel	X	X	X	X	X	X	X	X
NS	8615-035	Circuit Breaker 20 A 2 Pole (Opt)①	X	X	X		X			
NS	8615-053	Pull Disconnect (Optional) ①						X		
NS	8615-056	Circuit Breaker 15 A 3 Pole (Opt)①				X				
NS	4095-130	Wiring Diagram	X	X	X		X		X	
NS	4095-228	Wiring Diagram				X				X
NS	4095-621	Wiring Diagram						X		

NS = Not Shown

- ① Circuit breakers listed are for units without electric heat, "0Z" models. Hot gas bypass models not available without electric heat. See Heater Replacement Parts Manual for units with electric heat.

CONTROL PANEL



SEXP-332

CONTROL PANEL

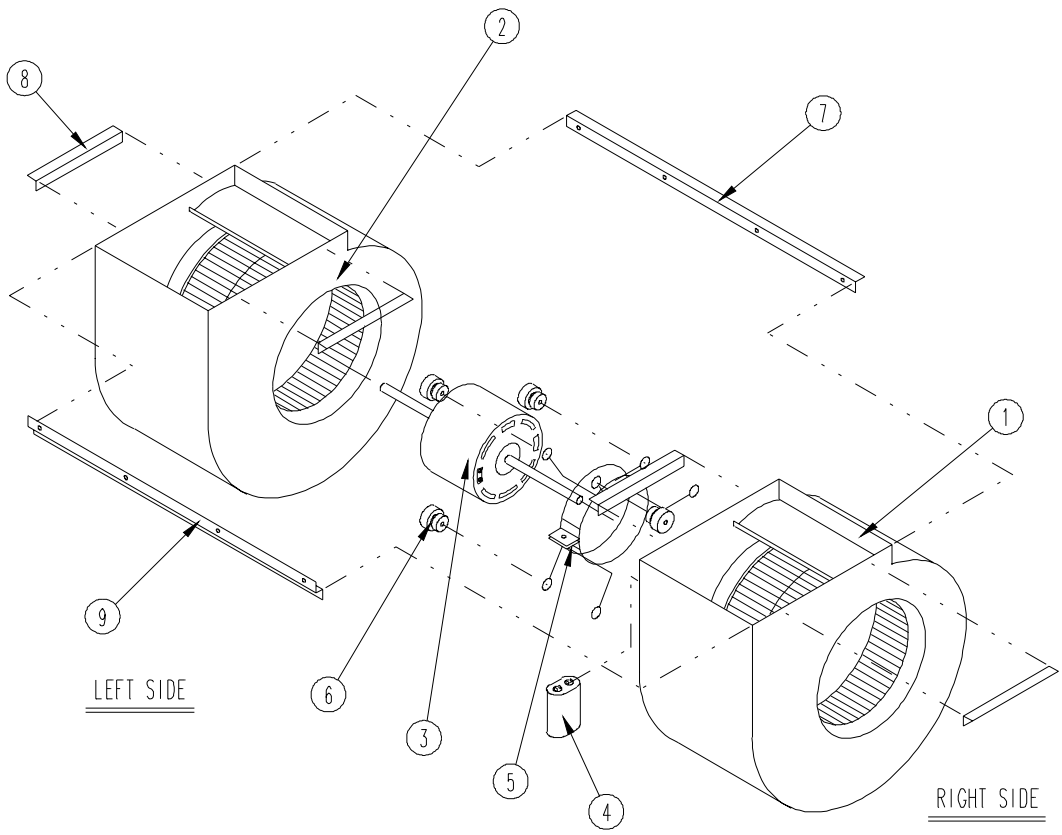
Drawing No.	Part No.	Description	WA181DA	WA241DA	WA241DB
1	8607-020	Low Voltage Terminal Strip	X	X	X
2	8607-013	Terminal Block 2 Pole	X	X	
2	8607-014	Terminal Block 3 Pole			X
3	8201-056	Blower Control	X	X	X
4	8407-035	Transformer	X	X	X
5	8401-007	Compressor Contactor	X	X	
5	8401-002	Compressor Contactor			X
6	8552-046	Compressor Capacitor	X		
6	8552-047	Compressor Capacitor		X	
6	8552-002	Outdoor Motor Capacitor			X
7	135-122	Wire Shield	X	X	X
8	8611-006	Ground Terminal	X	X	X
9	3000-968	6 Pin Connector	X	X	X
10	8201-009	Relay SPDT	X	X	X
11	8201-089	Compressor TDR 10 Sec. Delay Off	X	X	X
12	8201-050	Compressor TDR 5 Min. Delay on Break	X	X	X
14	8551-005	Start Device (PTCR) (Optional)	X	X	X
16	117-137	Control Panel Top	X	X	X
17	117-123	Control Panel	X	X	X
18	8201-071	Relay 3PDT	X	X	X
NS	8615-035	Circuit Breaker 20A 2 Pole ①	X	X	
NS	8615-056	Circuit Breaker 15A 3 Pole ①			X
NS	4095-118	Wiring Diagram	X	X	
NS	4095-221	Wiring Diagram			X

NS = Not Shown

- ① Circuit breakers listed are for units without electric heat, "0Z" models. Hot gas bypass models not available without electric heat. See Heater Replacement Parts Manual for units with electric heat.

BLOWER ASSEMBLY

Drawing No.	Part No.	Description	900-181
1	5152-069	Housing, Wheel and Cutoff (CW)	X
2	5152-070	Housing, Sheel and Cutoff	X
3	8102-011	Blower Motor (230/208)	X
4	8552-002	Capacitor	X
5	8200-039	Motor Mount	X
6	5451-011	Grommets	6
7	105-869	Back Brace	X
8	105-868	Side Angle	4
9	103-400	Front Brace	X



SEXP-191