

REPLACEMENT PARTS MANUAL

WALL MOUNTED CHILLED WATER COIL

MODEL: WC391

Manual 2110-414

Revision A

Date 09-2 -94

Supersedes 06-16-94

* GENERAL NOTES *

*Revised and/or additional pages may be issued from time to time.
*A complete and current manual consists of pages dated as shown in the following index.

** INDEX **

<u>Page Description</u>	<u>Page</u>	<u>Date</u>	<u>Supersedes</u>
Cabinet Components--Exploded View	1	06-16-94	
" " --Usage List	2	09-27-94	06-16-94
Functional Components--Exploded View	3	06-16-94	
" " --Usage List	4	06-16-94	
Control Panel--Layout	5	06-16-94	
" " --Usage List	6	06-16-94	
Blower Assembly--Exploded View, Usage List	7	06-16-94	

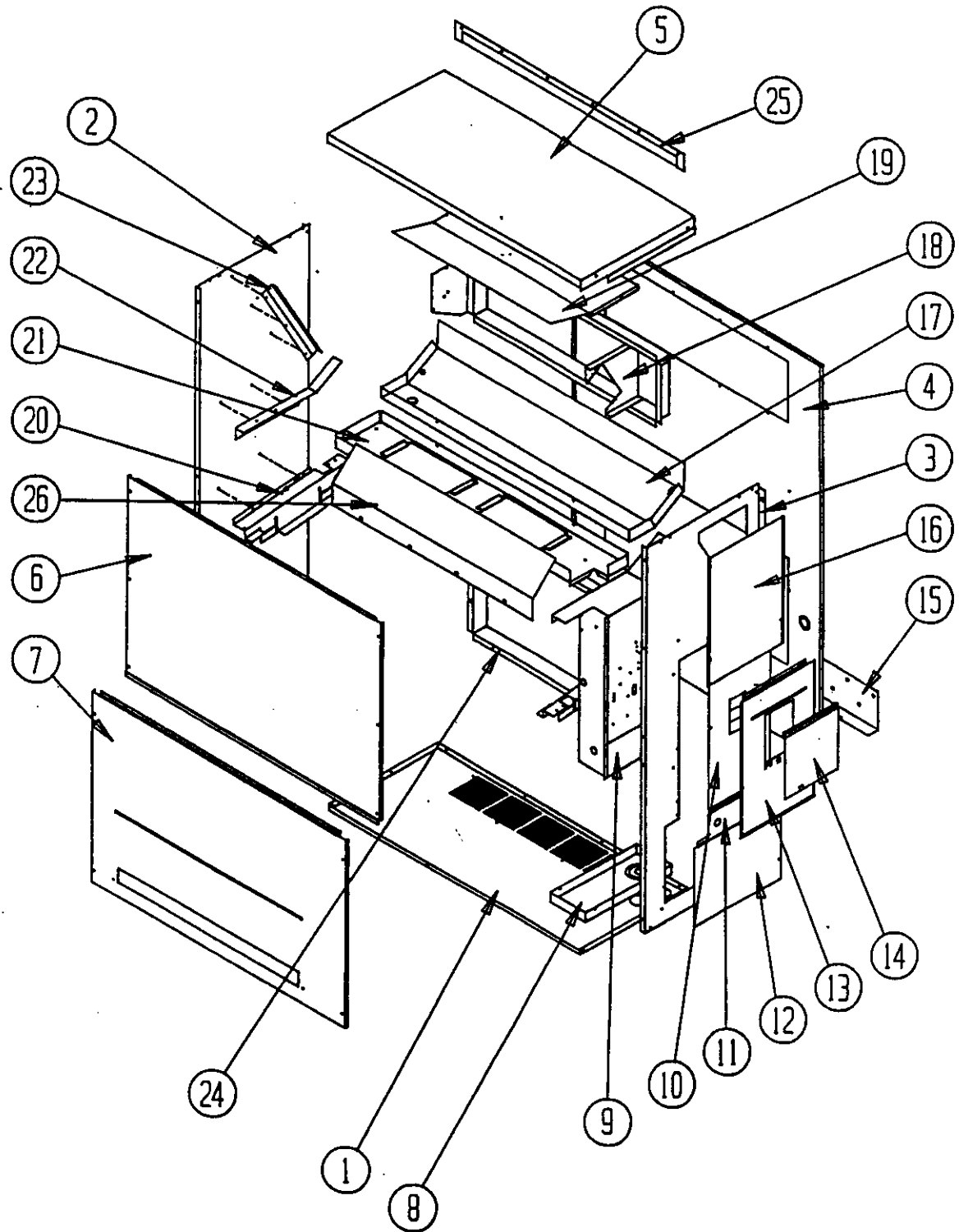
*** IMPORTANT ***

Contact the installing and/or local Bard distributor for all parts requirements. Make sure you have the complete model and serial number available from the unit rating plate.

BARD MANUFACTURING COMPANY

BRYAN, OHIO 43506

CABINET COMPONENTS



Date: 06-16-94
Supersedes:

CABINET COMPONENTS

Dwg. No.	Part No.	Description	W	W
			C	C
			3	3
			9	9
			1	1
			-	-
			M	C
1	(1) 526-244-*	Base	X	X
2	(1) 500-290-*	Left Side	X	X
3	(1) 500-291-*	Right Side	X	X
4	508-112	Back	X	X
5	(1) 506-157-*	Top	X	X
6	(1) 514-093-*	Upper Front	X	X
7	(1) 552-239-*	Service Door	X	X
8	123-087	Lower Drain Pan	X	X
9	Control Panel Assembly	See Control Panel Assembly Drawing and Parts List	X	X
10	133-127	Control Panel Cover (Inner)	X	X
11	(1) 156-027-*	Electrical Entrance	X	X
12	(1) 552-240-*	Lower Control Panel Cover	X	X
13	(1) S532-126-*	Control Panel Cover (Outer)	X	X
14	(1) S152-241-*	Disconnect Access Door	X	X
15	112-202	Bottom Support Bracket	X	X
16	(1) 542-047-*	Heater Access Cover	X	X
17	S123-086	Upper Drain Pan	X	X
18	111-040	Outlet Air Frame	X	X
19	134-146	Heat Shield	X	X
20	112-206	Filter Bracket	2	2
21	120-278	Blower Partition	X	X
22	104-942	Support Angle	X	X
23	146-048	Evaporator Offset Angle	X	X
24	111-039	Inlet Air Frame	X	X
25	(1) 112-203-*	Rain Flashing	X	X
26	134-147	Air Baffle	X	X

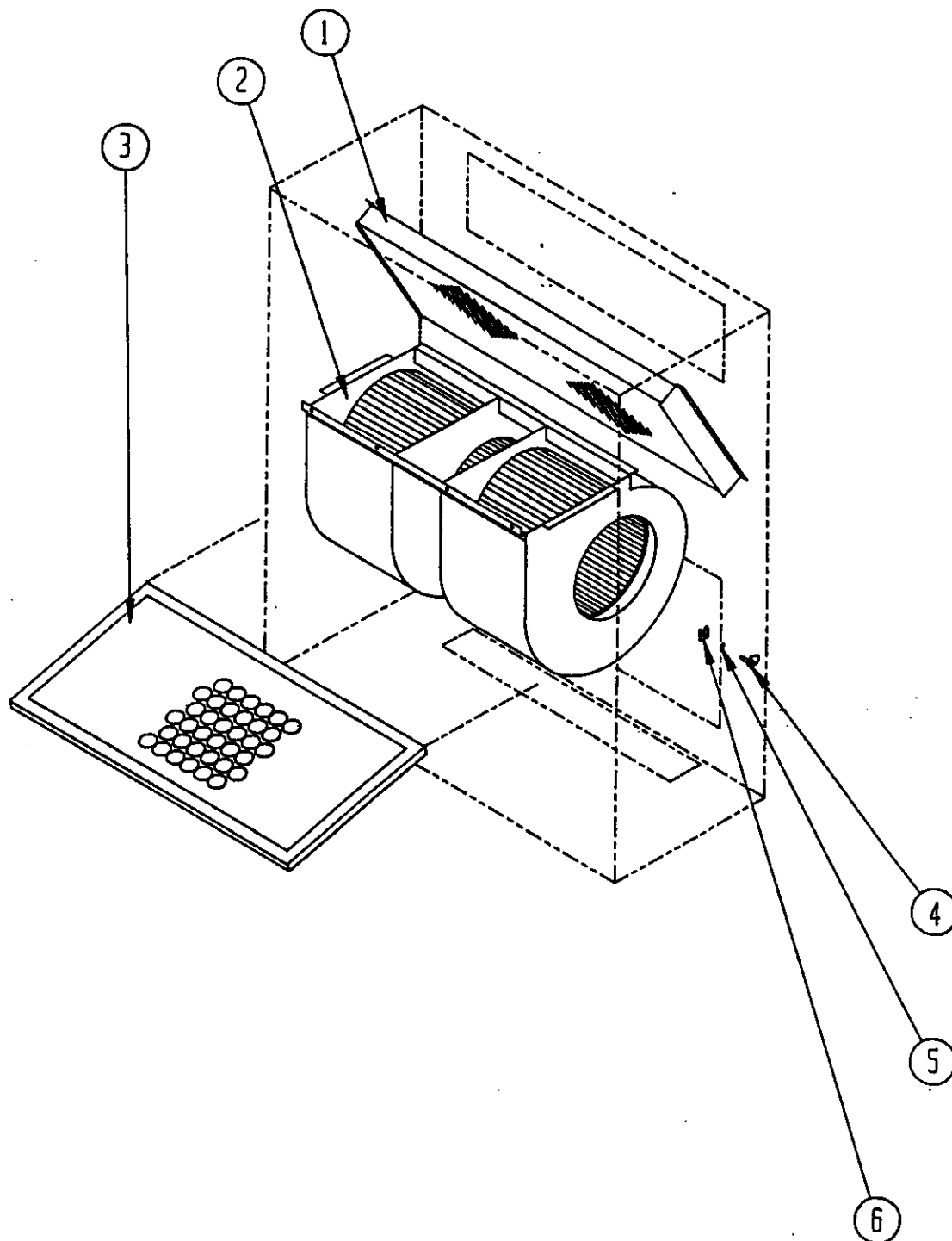
(1) NOTE: Exterior cabinet parts are manufactured with various paint color options. To insure that you receive the proper paint color, you must include the complete model and serial number of the unit for which cabinet parts are being ordered.

Date: 09-27-94
Supersedes: 06-16-94

2110-414

Page: 2

FUNCTIONAL COMPONENTS



Date: 06-16-94
Supersedes:

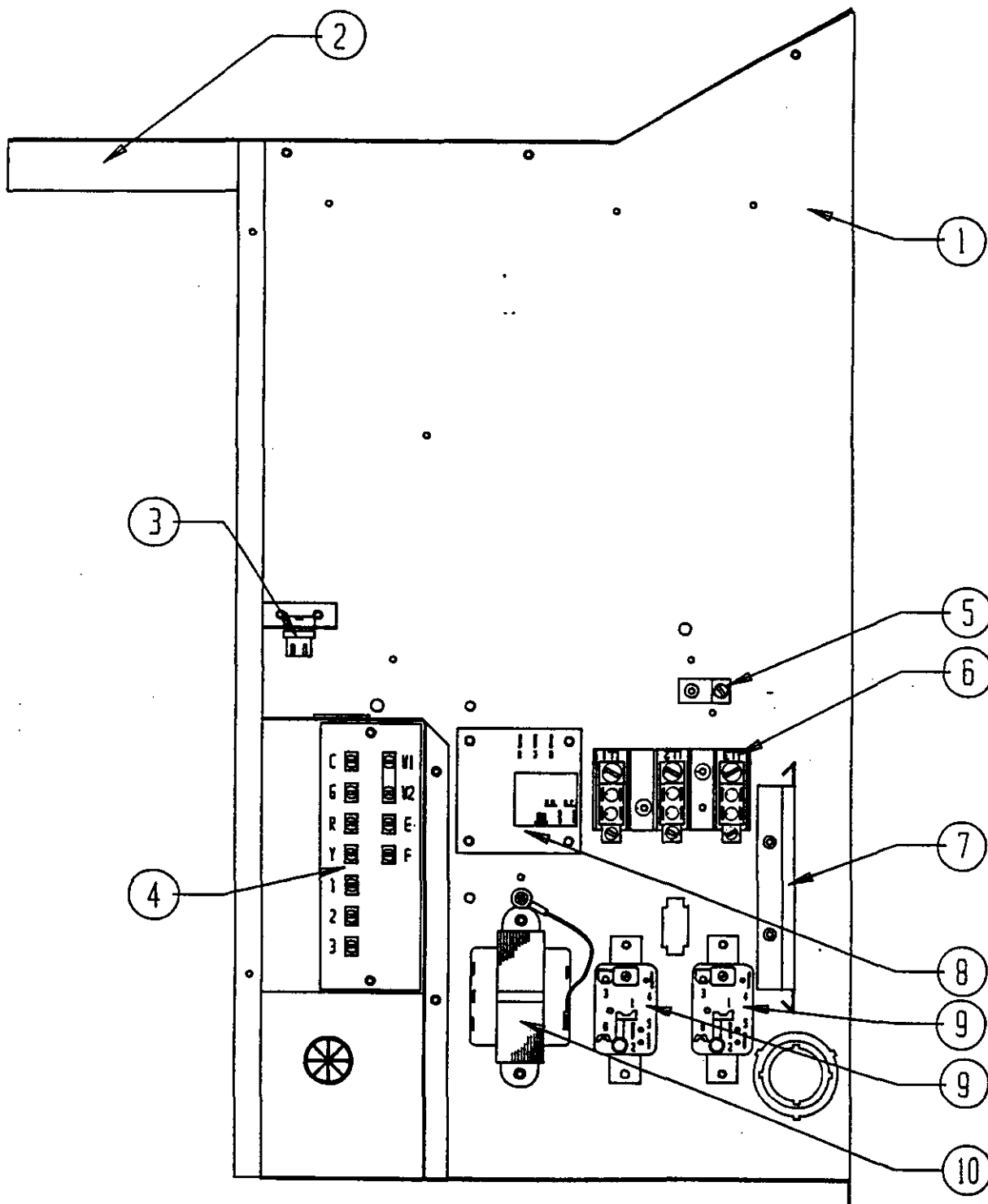
2110-414
Page: 3

FUNCTIONAL COMPONENTS

Dwg. No.	Part No.	Description	W C 3 9 1 - M	W C 3 9 1 - C
1	5060-079	Evaporator Coil	X	X
2	900-208	Blower Assembly	X	X
2	900-209	Blower Assembly	X	X
3	7004-019	Air Filter 1" Throw Away	X	X
3	7003-031	Air Filter 1" Washable (Optional)	X	X
3	7004-026	Air Filter 2" Pleated (Optional)	X	X
4	1171-022	1/4" Turn Fastener	X	X
5	1171-024	1/4" Turn Retainer	X	X
6	1171-023	1/4" Receptacle	X	X

Date: 06-16-94
Supersedes:

CONTROL PANEL



Date: 06-16-94
Supersedes:

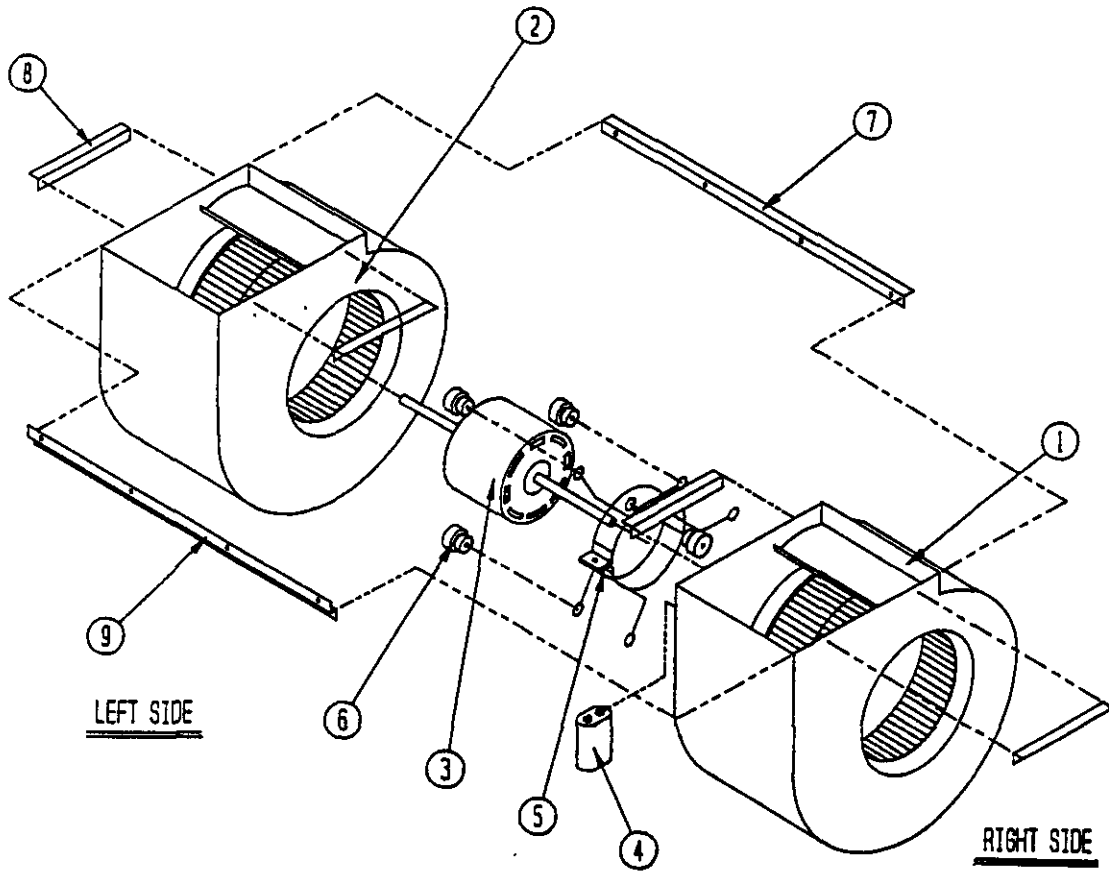
2110-414
Page: 5

CONTROL PANEL

Dwg. No.	Part No.	Description	W	W
			C	C
			3	3
			9	9
			1	1
			-	-
			M	C
1	116-167	Control Panel	X	X
2	516-169	Control Panel Top	X	X
3	3000-968	6 Pin Connector	X	X
4	8607-020	Low Voltage Terminal Strip	X	X
5	8611-006	Ground Terminal	X	X
6	8607-014	Terminal Block 3 Pole	X	X
7	134-145	Wire Shield	X	X
8	8201-056	Blower Control	X	
8	8201-032	Blower Control		X
9	8201-062	Relay	2	2
10	8407-035	Transformer	X	
10	8407-042	Transformer		X
	4095-122	Wiring Diagram	X	
	4095-123	Wiring Diagram		X

Date: 06-16-94
Supersedes:

BLOWER ASSEMBLY



BLOWER ASSEMBLY

Dwg. No.	Part No.	Description	9	9
			0	0
			0	0
			-	-
			2	2
			0	0
			8	9
1	5152-051	Housing, Wheel and Cutoff (CW)	X	X
2	5152-052	Housing, Wheel and Cutoff	X	X
3	8105-029	Blower Motor (230/208)	X	
3	8105-033	Blower Motor (460)		X
4	8552-002	Capacitor	X	X
5	8200-031	Motor Mount	X	X
6	5451-011	Grommets	6	6
7	104-944	Back Brace	X	X
8	104-943	Side Angle	4	4
9	102-410	Front Brace	X	X

Date: 06-16-94
Supersedes: