
REPLACEMENT PARTS MANUAL

WALL MOUNTED PACKAGE AIR CONDITIONER

Model: **WL371**

General Notes

- Revised and/or additional pages may be issued from time to time.
- A complete and current manual consists of pages shown in the following contents section.

Important

- Contact the installing and/or local Bard distributor for all parts requirements. Make sure you have the complete model and serial number available from the unit rating plates.

Contents

Description	Page
Cabinet Components	
♦ Exploded View	1
♦ Usage List	2
Functional Components	
♦ Exploded View	3
♦ Usage List	4
Control Panel	
♦ Exploded View	5
♦ Usage List	6
Blower Assembly	
♦ Exploded View	7
♦ Usage List	7

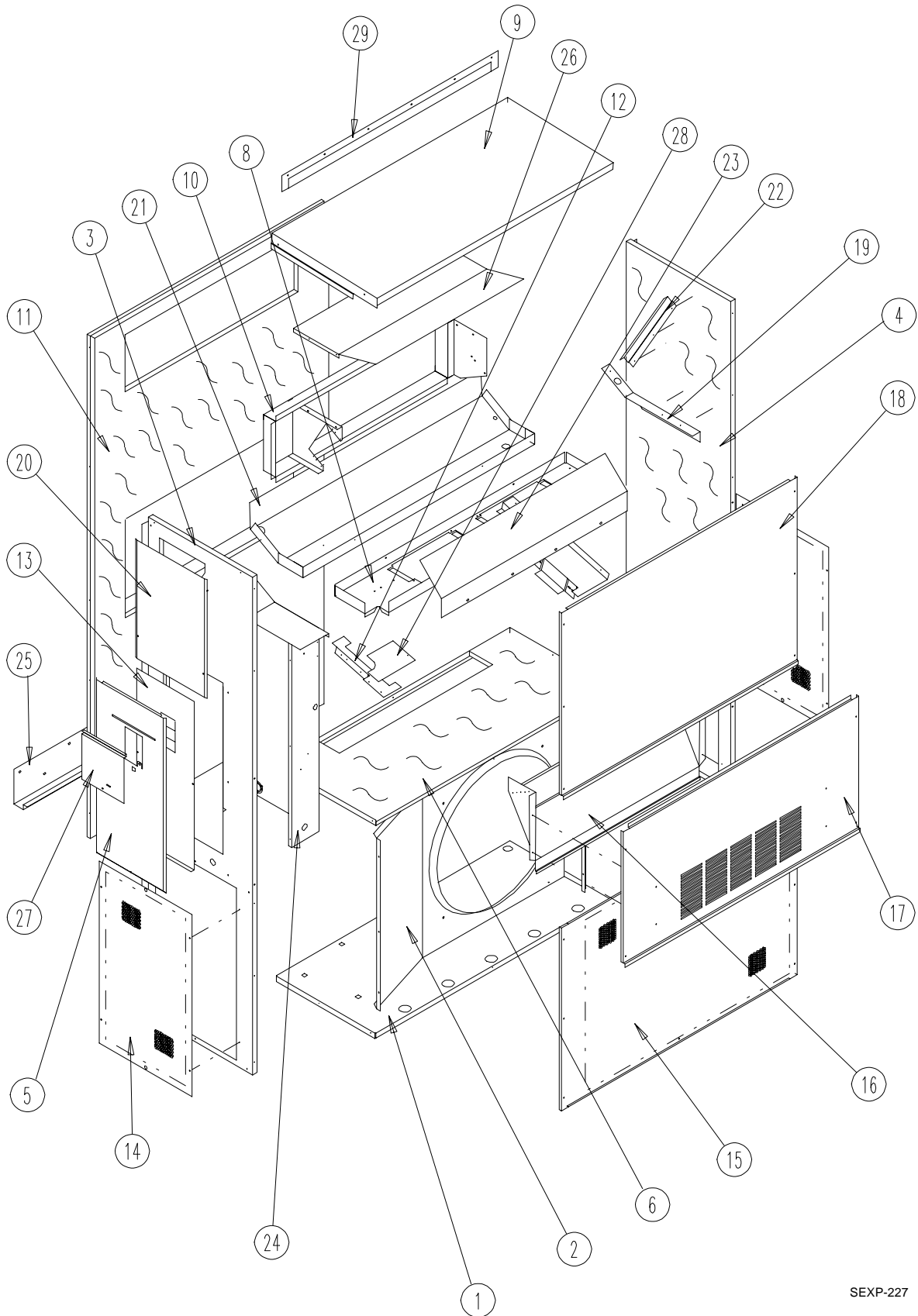


CLIMATE CONTROL SOLUTIONS

BARD MANUFACTURING COMPANY
Bryan, Ohio 43506
Since 1914...Moving ahead, just as planned.

Manual: 2110-430C
Supersedes: 2110-430B
File: 2150-004 Tab 16
Date: 09-03-02

CABINET COMPONENTS



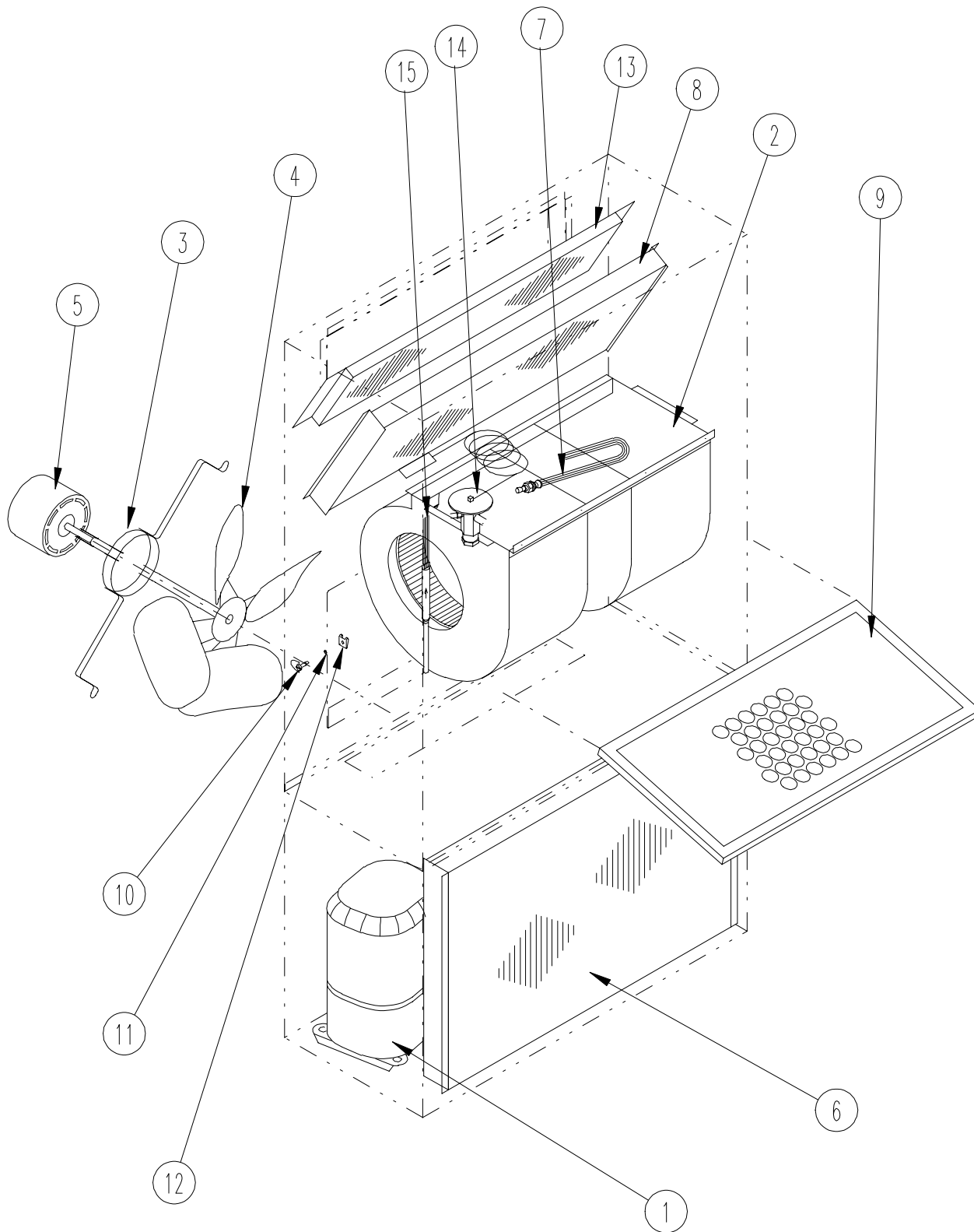
SEXP-227

CABINET COMPONENTS

Drawing No.	Part No.	Description	WL371-A, -B	WL371-C, -F
1	S127-199	Lower Base	X	X
2	125-022	Fan Shroud	X	X
3	S500-318-* ①	Left Side	X	X
4	S500-317-* ①	Right Side	X	X
5	S553-136-* ①	Control Panel Cover (Outer)	X	X
6	S521Y181	Condenser Partition	X	X
8	121Y182	Blower Partition	X	X
9	S506-130-* ①	Top	X	X
10	S111Y030	Outlet Airframe Assemble	X	X
11	S508-088	Back	X	X
12	113Y195	Filter Bracket	2	2
13	S132-104	Control Panel Cover (Inner)	X	
13	S132-110	Control Panel Cover (Inner)		X
14	118-056-* ①	Side Grille	2	2
15	118-047-* ①	Condenser Grille	X	X
16	962014	Fresh Air Damper Assembly	X	X
17	S552-206-* ①	Service Door	X	X
18	S514-072-* ①	Upper Front	X	X
19	105Y850	Left Side Support	X	X
20	S143-034-* ①	Side Cover Plate (Outer)	X	X
21	S123-090	Drain Pan	X	X
22	147-044	Right Evaporator Support	X	X
23	135-124	Air Baffle	X	X
24	Control Panel Assembly	See Control Panel Assembly Drawing and Parts List	X	X
25	113-140	Bottom Mounting Bracket	1	1
26	135Y123	Heat Shield	X	X
27	S153-218-* ①	Disconnect Access Door	X	X
28	137-259	Fill Plate	X	X
29	113-149-* ①	Top Rain Flashing	X	X

① *NOTE: Exterior cabinet parts are manufactured with various paint color options. To insure that you receive the proper paint color, you must include the complete model and serial number of the unit for which cabinet parts are being ordered.*

FUNCTIONAL COMPONENTS



SEXP-228

FUNCTIONAL COMPONENTS

Drawing			WL371-A	WL371-B	WL371-C	WL371-F
No.	Part No.	Description				
1	8000-225	Compressor	X			
1	8000-214	Compressor		X		
1	8000-217	Compressor			X	X
2	S900-231	Blower Assembly	X	X		X
2	S900-232	Blower Assembly			X	
3	8200-001	Fan Motor Mount	X	X	X	X
4	5151-045	Fan Blade	X	X	X	X
5	8103-013	Condenser Motor	X	X		X
5	8103-020	Condenser Motor			X	
6	5051-089	Condenser Coil	X	X	X	X
7	800-0185	Cooling Capillary Assembly	X	X	X	X
8	5060-064	Evaporator Coil	X	X	X	X
9	7004-019	Air Filter 1" Throw Away	X	X	X	X
9	7003-031	Air Filter 1" Washable ①	X	X	X	X
9	7004-026	Air Filter 2" Pleated ①	X	X	X	X
10	1171-022	1/4" Turn Fastener	X	X	X	X
11	1171-024	1/4" Turn Retainer	X	X	X	X
12	1171-023	1/4" Receptacle	X	X	X	X
NS	1804-0106	High Pressure Switch (Flare)	X	X	X	X
NS	1804-0107	Low Pressure Switch (Flare)	X	X	X	X
NS	CMA-6	Low Ambient Control (Flare)	X	X	X	X

NS = Not Shown

① = Optional

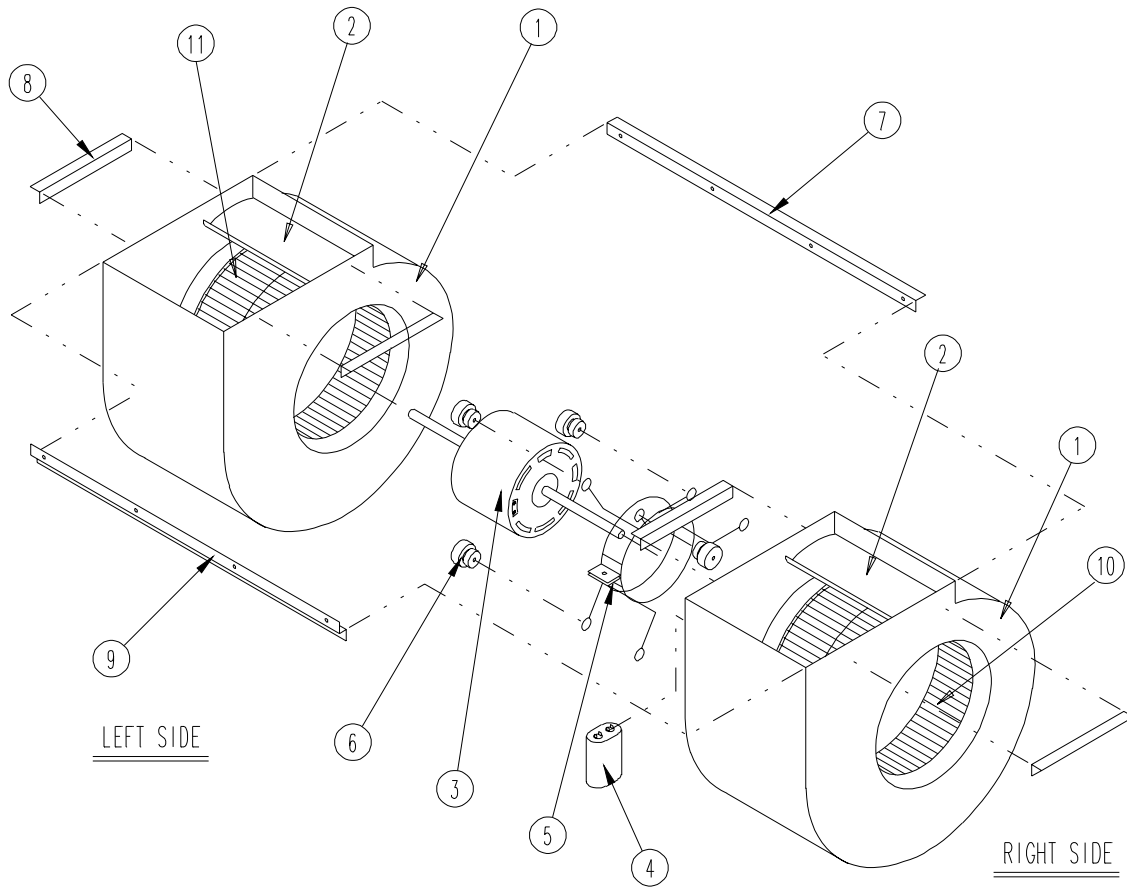
CONTROL PANEL

Drawing			WL371-A	WL371-B	WL371-C	WL371-F
No.	Part No.	Description				
1	8607-020	Low Voltage Terminal Strip	X	X	X	X
2	8607-013	Terminal Block 2 Pole	X			2
2	8607-014	Terminal Block 3 Pole		X	X	
2	8607-015	Phenolic Insulator			X	
3	8201-056	Blower Control	X	X		X
3	8201-032	Blower Relay			X	
4	8407-034	Transformer	X	X		X
4	8407-042	Transformer			X	
5	8401-007	Compressor Contactor	X			
5	8401-002	Compressor Contactor		X	X	X
6	8552-051	Compressor Capacitor 40/5-440	X			
6	8552-002	Outdoor Motor Capacitor 5/370		X	X	X
7	135-122	Wire Shield	X	X	X	X
8	8611-006	Ground Terminal	X	X	X	X
9	3000-968	6 Pin Connector	X	X	X	X
10	8201-087	Compressor Control Module	X	X	X	X
11	8201-085	Phase Monitor	X	X	X	X
12	8607-017	Terminal Block (Optional)	X	X		X
13	8551-005	Start Device (PTCR) (Optional)	X			
14	8201-062	Alarm Relay (Optional)	X	X	X	X
15	117Y137	Control Panel Top	X	X	X	X
16	117Y123	Control Panel	X	X	X	X
NS	4095-128	Wiring Diagram	X			
NS	4095-227	Wiring Diagram		X		
NS	4095-318	Wiring Diagram			X	
NS	4095-620	Wiring Diagram				X

NS = Not Shown

BLOWER ASSEMBLY

Drawing			900-231	900-232
No.	Part No.	Description		
1	151-111	Housing	2	2
2	144-174	Cutoff	2	2
3	8105-029	Blower Motor (230/208)	X	
3	8105-033	Blower Motor (460)		X
4	8552-002	Capacitor	X	X
5	8200-031	Motor Mount	X	X
6	5451-011	Grommets	6	6
7	105-870	Back Brace	X	X
8	104-868	Side Angle	4	4
9	103-401	Front Brace	X	X
10	5152-090	Wheel CW	X	X
11	5152-091	Wheel CCW	X	X



SEXP-295