
Replacement Parts Manual

Wall Mounted Package Air Conditioner

Model: WL602N

General Notes

- Revised and/or additional pages may be issued from time to time.
- A complete and current manual consists of pages shown in the following contents section.

Important

- Contact the installing and/or local Bard distributor for all parts requirements. Make sure you have the complete model and serial number available from the unit rating plates.

Contents

| Description | Page |
|-----------------------|------|
| Cabinet Components | |
| ♦ Exploded View | 1 |
| ♦ Usage List | 2 |
| Functional Components | |
| ♦ Exploded View | 3 |
| ♦ Usage List | 4 |
| Control Panel | |
| ♦ Exploded View | 5 |
| ♦ Usage List | 6 |
| Blower Assembly | |
| ♦ Exploded View | 7 |
| ♦ Usage List | 7 |

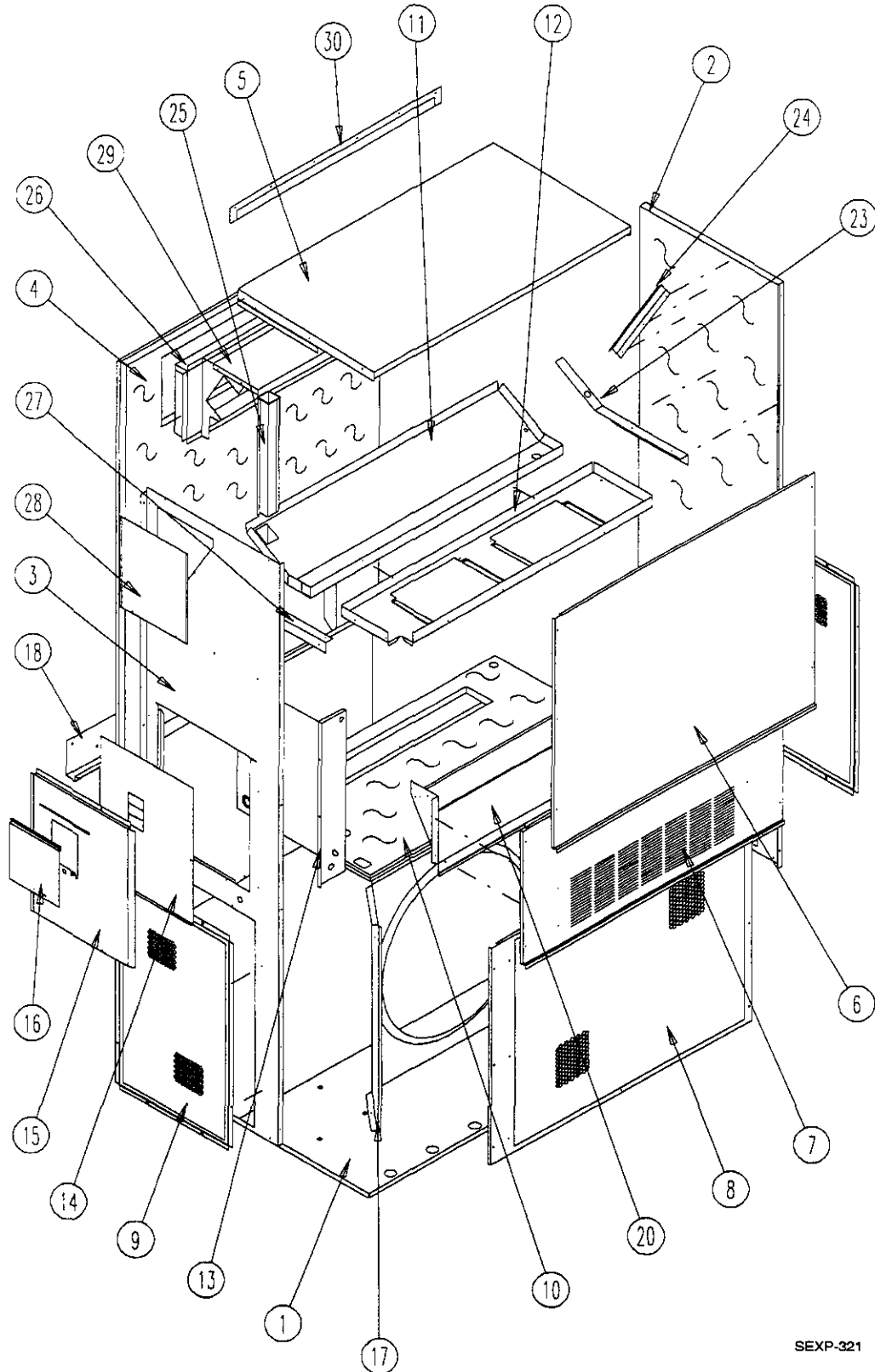


BARD MANUFACTURING COMPANY
Bryan, Ohio 43506

Since 1914...Moving ahead, just as planned.

Manual: 2110-437A
Supersedes: 2110-437
File: 2150-004, Tab 16
Date: 04-21-99

CABINET COMPONENTS



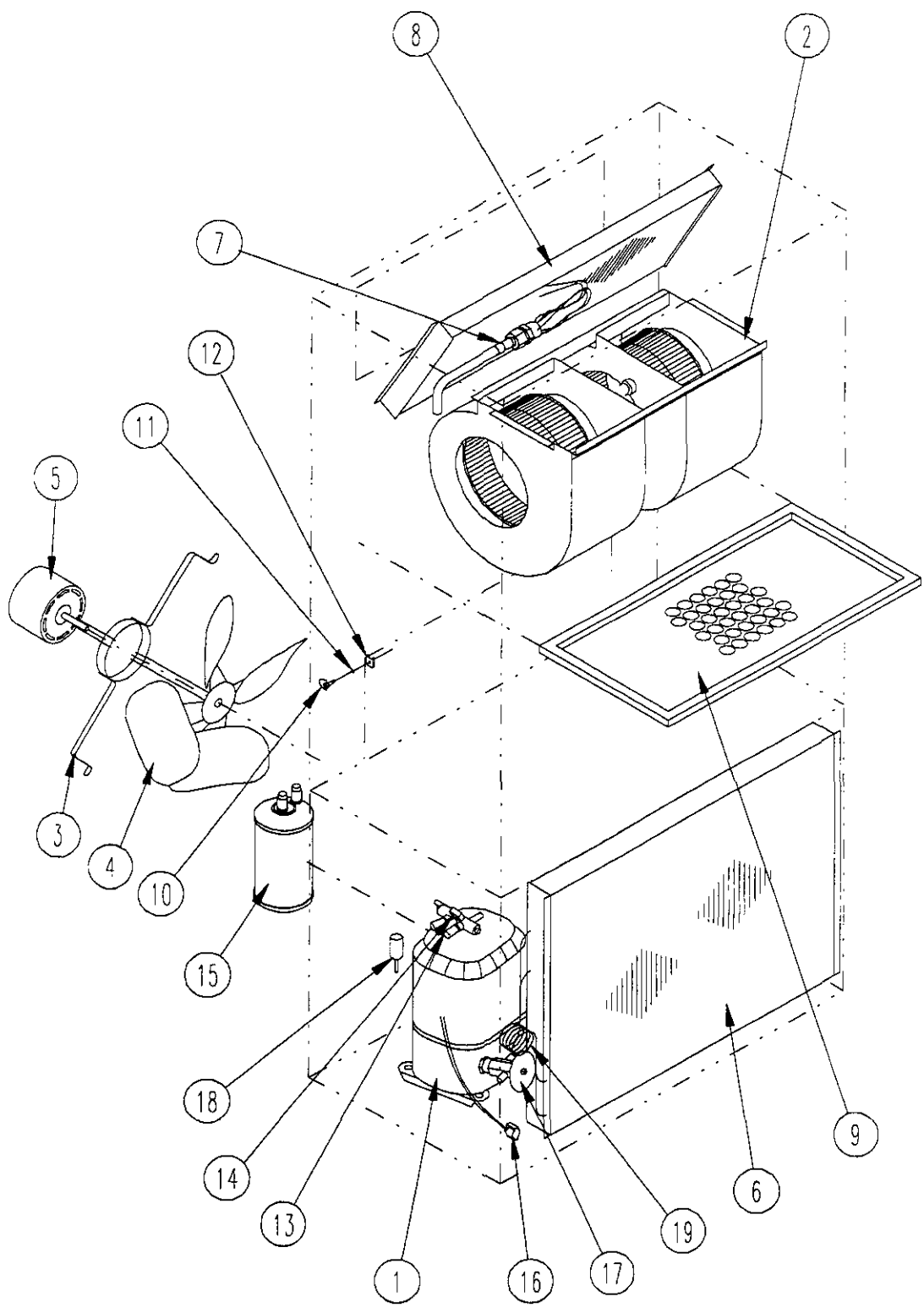
SEXP-321

CABINET COMPONENTS

| Drawing No. | Part No. | Description | WL602NA |
|-------------|---------------------|---|---------|
| 1 | S127Y214 | Lower Base | X |
| 2 | S500-320-* ① | Left Side | X |
| 3 | S500-319-* ① | Right Side | X |
| 4 | S508-155 | Back | X |
| 5 | S506-142-* ① | Top | X |
| 6 | S514-077-* ① | Upper Front | X |
| 7 | S552-224-* ① | Service Door | X |
| 8 | 118-031-* ① | Condenser Crille | X |
| 9 | 118-032-* ① | Side Grille | X |
| 10 | S520Y333 | Condenser Partition | X |
| 11 | 123-091 | Drain Pan | X |
| 12 | 121Y216 | Blower Partition | X |
| 13 | Control Panel Assy. | See Control Panel Assembly Drawing & Parts List | X |
| 14 | S133-114 | Control Panel Cover (Inner) | X |
| 15 | S553-140-* ① | Control Panel Cover (Outer) | X |
| 16 | S153-218-* ① | Disconnect AccessDoor | X |
| 17 | 125-024 | Fan Shroud | X |
| 18 | 113-140 | Bottom Mounting Bracket | X |
| 20 | 960024 | Fresh Air Damper Assembly | X |
| 23 | 105Y878 | Left Side Support | X |
| 24 | 147-046-* ① | Left Evaporator Support | X |
| 25 | 135-128 | Raceway | 2 |
| 26 | 111Y030 | Outlet AirframE Assembly | X |
| 27 | 105Y877 | Right Side Support | X |
| 28 | S143-042 | Right Side Cover Plate (Outer) | X |
| 30 | 113-150-* ① | Top Rain Flashing | X |

① **NOTE:** Exterior cabinet parts are manufactured with various paint color options. To insure that you receive the proper paint color you must include the complete model and serial number of the unit for which cabinet parts are being ordered.

FUNCTIONAL COMPONENTS



SEXP-237

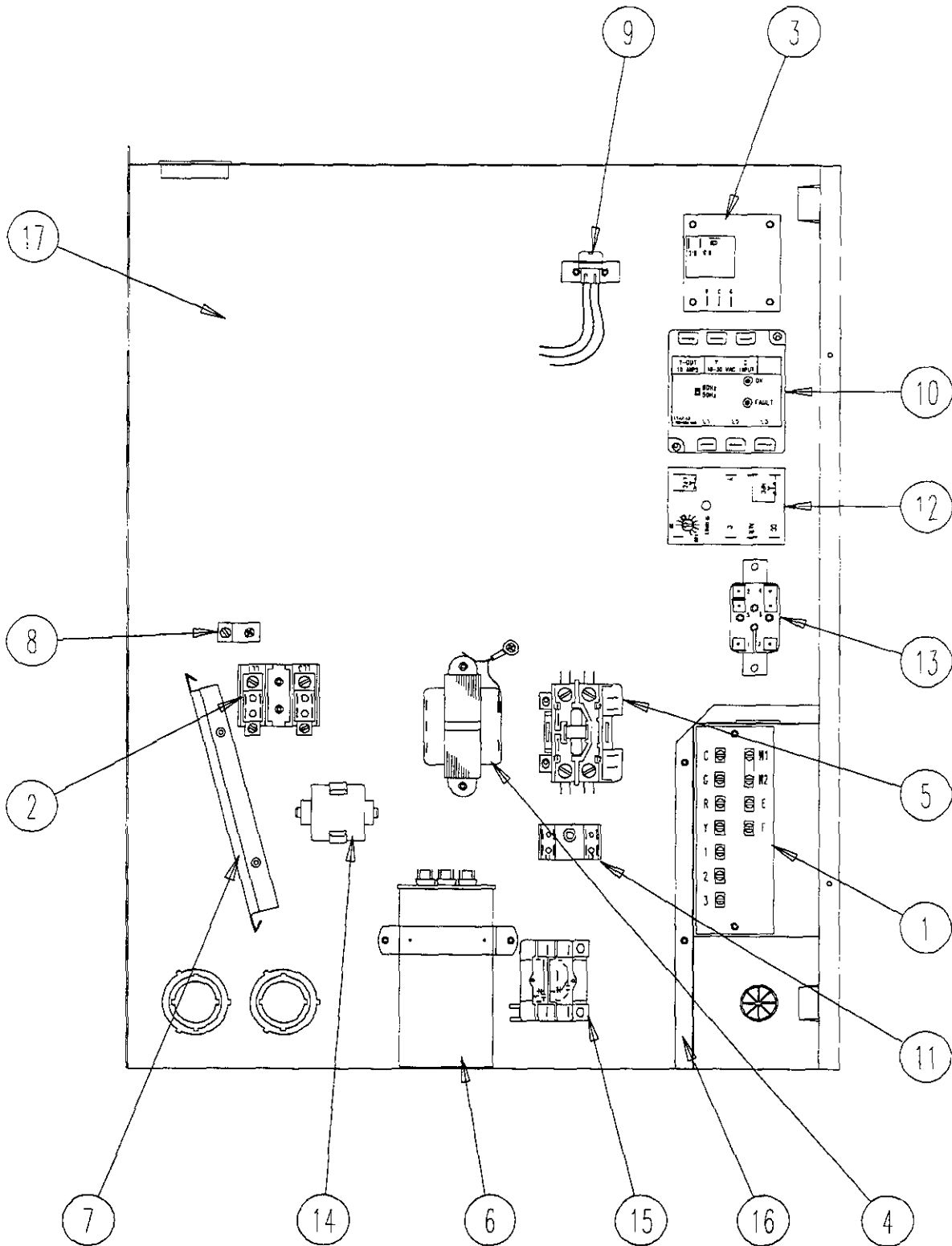
FUNCTIONAL COMPONENTS

| Drawing No. | Part No. | Description | WL602NA | WL602NB |
|----------------|-----------|-------------------------------|---------|---------|
| 1 | 8000-153 | Compressor | X | |
| 1 | 8000-154 | Compressor | | X |
| 2 | S900-185 | Blower Assembly | X | X |
| 3 | 8200-004 | Fan Motor Mount | X | X |
| 4 | 5151-027 | Fan Blade | X | X |
| 5 | 8105-039 | Condenser Motor | X | X |
| 6 | 5051-094 | Condenser Coil | X | X |
| 7 | 800-0232 | Cooling Capillary Assembly | X | X |
| 8 | 5060-082 | Evaporator Coil | X | X |
| 9 | 7004-016 | Air Filter 1" Throw-Away | X | X |
| 9 | 7003-030 | Air Filter 1" Washable | X | X |
| 9 | 7004-027 | Air Filter 2" Pleated | X | X |
| 10 | 1171-022 | 1/4 Turn Fastener | X | X |
| 11 | 1171-024 | 1/4 Turn Retainer | X | X |
| 12 | 1171-023 | 1/4 Receptacle | X | X |
| NS | 1804-0106 | High Pressure Switch (Flare) | X | X |
| NS | 1804-0107 | Low Pressure Switch (Flare) ① | X | X |
| NS | CMA-6 | Low Ambient Control (Flare) ① | X | X |

NS – Not Shown

① – Optional on this model

CONTROL PANEL



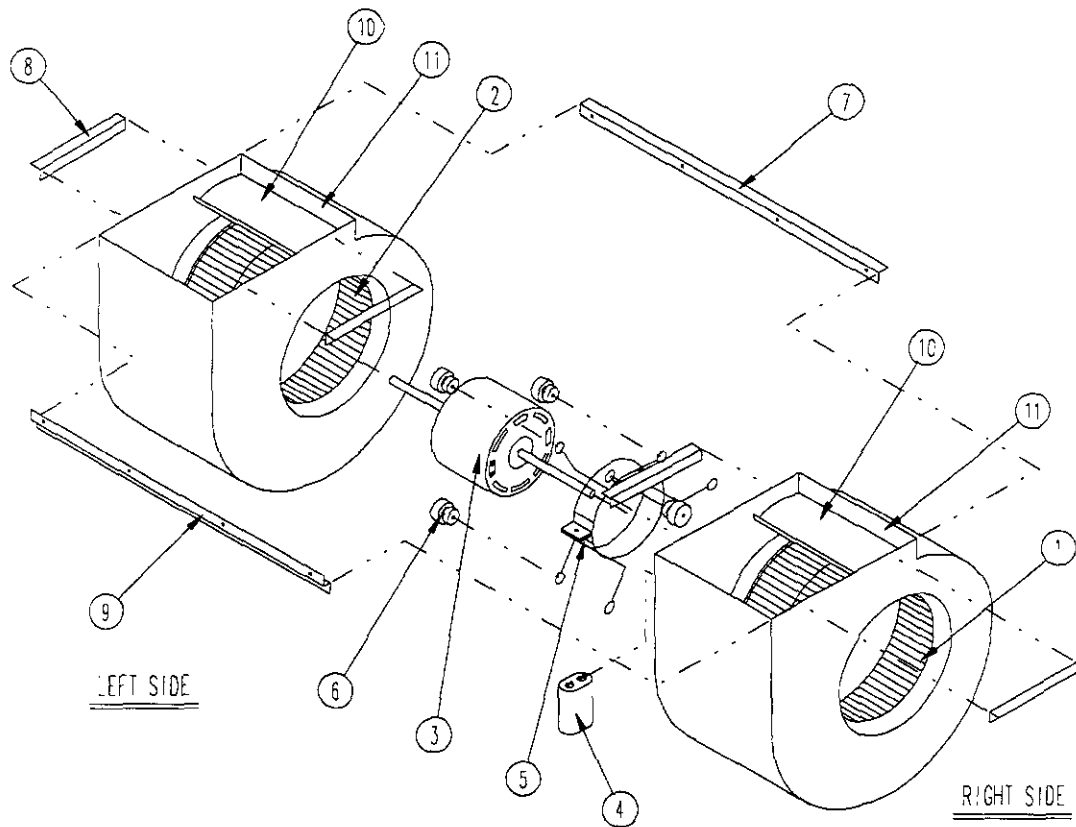
SEXP-328

CONTROL PANEL

| Drawing No. | Part No. | Description | WL602NA | WL602NB |
|----------------|----------|--------------------------------|---------|---------|
| 1 | 8607-020 | Low Voltage Terminal Strip | X | X |
| 2 | 8607-013 | Terminal Block 2 Pole | X | |
| 2 | 8607-014 | Terminal Block | | X |
| 3 | 8201-056 | Blower Control | X | X |
| 4 | 8407-034 | Transformer | X | X |
| 5 | 8401-016 | Compressor Contactor | X | |
| 5 | 8401-002 | Compressor Contactor | | X |
| 6 | 8552-058 | Compressor Capacitor | X | |
| 6 | 8552-005 | Putdoor Fan Capacitor | | X |
| 7 | 135-130 | Wire Shield | X | X |
| 8 | 8611-006 | Ground Terminal | X | X |
| 9 | 3000-978 | 6 Pin Connector | X | X |
| 11 | 8607-017 | Terminal Block (Optional) | X | X |
| 12 | 8201-087 | Compressor Control Module | X | X |
| 13 | 8201-062 | Alarm Relay (Optional) | X | X |
| 14 | 8551-005 | Start Device (PTRC) (Optional) | X | |
| 15 | 8201-032 | Outdoor Fan Relay (Optional) | X | X |
| 16 | 117Y139 | Low Voltage Box | X | X |
| 17 | 117Y143 | Control Panel | X | X |
| NS | 4095-112 | Wiring Diagram | X | |
| NS | 4095-227 | Wiring Diagram | | X |

NS - Not Shown

BLOWER ASSEMBLY



SEXP-178

| Drawing No. | Part No. | Description | 900-185 | 900-186 |
|-------------|----------|------------------------|---------|---------|
| 1 | 5152-011 | 10 Inch Wheel (CW) | X | X |
| 2 | 5152-012 | 10 Inch Wheel (CCW) | X | X |
| 3 | 8106-030 | Blower Motor (230/208) | X | |
| 3 | 8106-025 | Blower Motor (460) | | X |
| 4 | 8552-005 | Capacitor | X | X |
| 5 | 8200-040 | Motor Mount | X | X |
| 6 | 5451-011 | Grommets | 6 | 6 |
| 7 | 105-880 | Back Brace | X | X |
| 8 | 105-881 | Side Angle | 4 | 4 |
| 9 | 103-389 | Front Brace | X | X |
| 10 | 151-101 | Housing | 2 | 2 |
| 11 | 144-166 | Diffuser | 2 | 2 |