

---

# REPLACEMENT PARTS MANUAL

# WALL MOUNTED PACKAGE AIR CONDITIONER

Model: **WL602N WL4822**  
**WL6022 WL4823**  
**WL6023**

---

## General Notes

- Revised and/or additional pages may be issued from time to time.
- A complete and current manual consists of pages shown in the following contents section.

## Important

- Contact the installing and/or local Bard distributor for all parts requirements. Make sure you have the complete model and serial number available from the unit rating plates.

## Contents

Description	Page
Cabinet Components	
♦ Exploded View .....	1
♦ Usage List .....	2
Functional Components	
♦ Exploded View .....	3
♦ Usage List .....	4
Control Panel	
♦ Exploded View .....	5
♦ Usage List .....	6
Blower Assembly	
♦ Exploded View .....	7
♦ Usage List .....	7

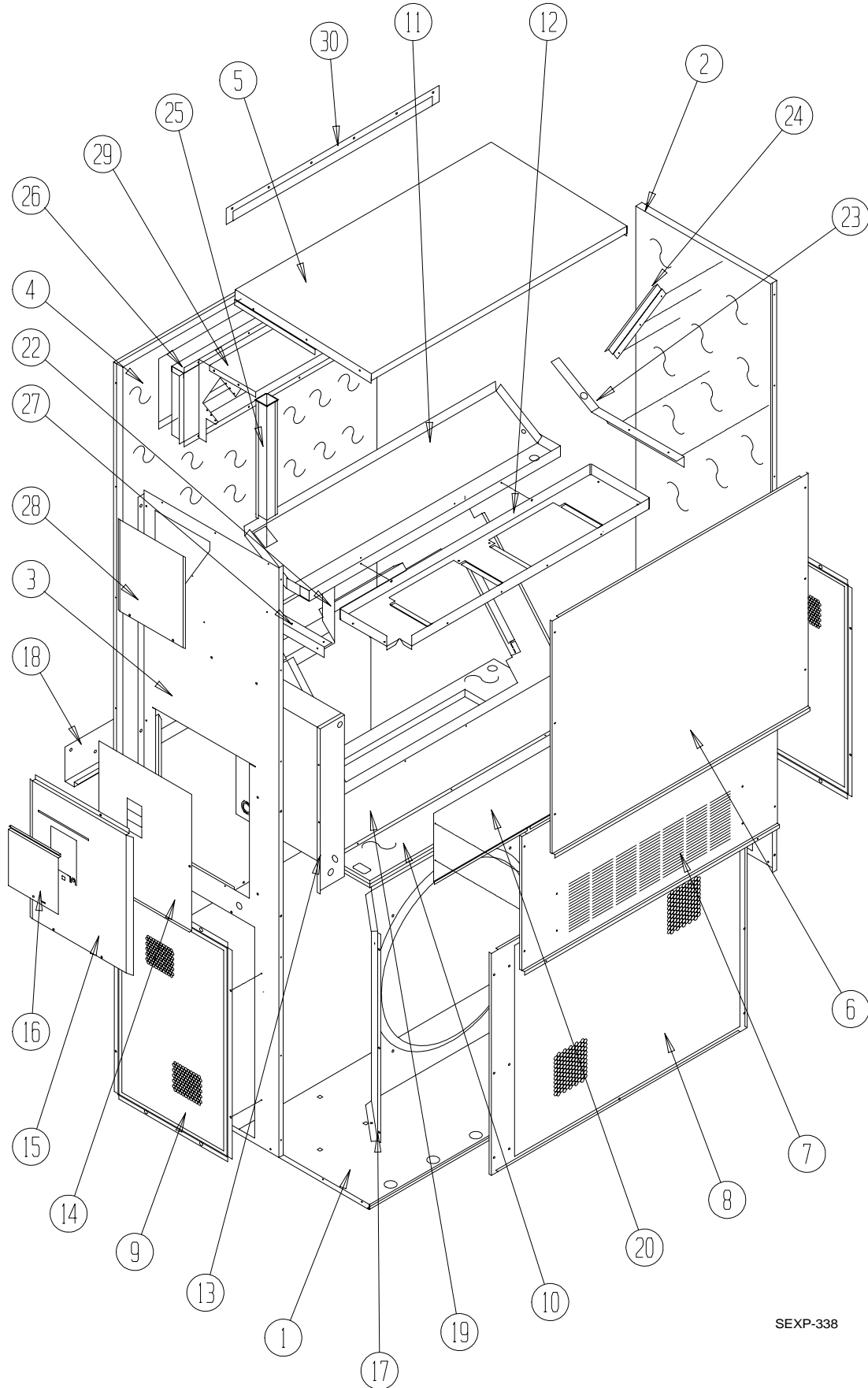


BARD MANUFACTURING COMPANY  
Bryan, Ohio 43506  
*Since 1914...Moving ahead, just as planned.*

Manual: 2110-437E  
Supersedes: 2110-437D  
File: 2150-004, Tab 16  
Date: 09-20-01

---

# CABINET COMPONENTS



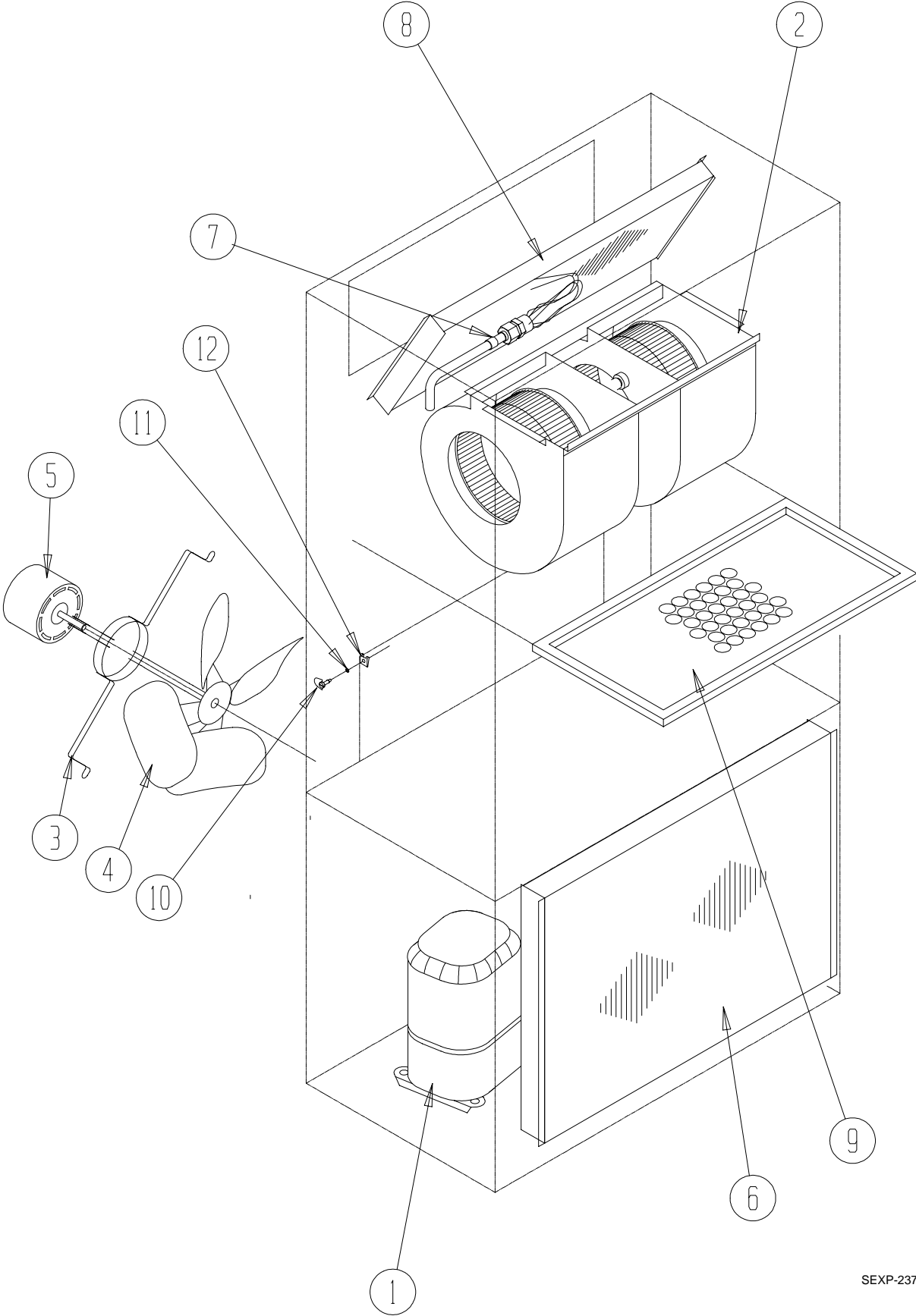
SEXP-338

# CABINET COMPONENTS

Drawing No.	Part No.	Description	WL4822	WL4823	WL6022	WL6023 WL602N
1	S127Y214	Lower	X	X	X	X
2	S500-320-* ①	Left Side	X	X	X	X
3	S500-319-* ①	Right Side	X	X	X	X
4	S508-155	Back		X		X
4	S508-158	Back	X		X	
5	S506-142-* ①	Top	X	X	X	X
6	S514-077-* ①	Upper Front	X	X	X	X
7	S552-224-* ①	Service Door	X	X	X	X
8	118-031-* ①	Condenser Grille	X	X	X	X
9	118-032-* ①	Side Grille	2	2	2	2
10	521Y333	Condenser Partition	X	X	X	X
11	123-091	Drain Pan	X	X	X	X
12	121Y216	Blower Partition	X	X	X	X
13	Control Panel Assembly	See Control Panel Assembly Drawing & Parts List	X	X	X	X
14	S133-114	Control Panel Cover (Inner)	X	X	X	X
15	S533-140-* ①	Control Panel Cover (Outer)	X	X	X	X
16	S153-218-* ①	Disconnect Access Door	X	X	X	X
17	125-024	Fan Shroud	X	X	X	X
18	113-140	Bottom Mounting Bracket	X	X	X	X
19	131Y135	Filter Tray	X		X	
20	BOP-5	Blank Off Plate	X	X	X	X
22	111-065	Inlet Airframe Assembly	X		X	
23	105Y878	Left Side Support	X	X	X	X
24	147-046-* ①	Left Evaporator Support	X	X	X	X
25	135-128	Raceway	2	2	2	2
26	111Y030	Outlet Airframe Assembly				X
26	S111-064	Outlet Airframe Assembly	X		X	
26	111-066	Outlet Airframe Assembly		X		
27	105Y877	Right Side Support	X	X	X	X
28	S143-042-* ①	Right Side Cover Plate (Outer)	X	X	X	X
29	135Y123	Heat Shield				X
30	113-150-* ①	Top Rain Flashing	X	X	X	X

① NOTE: Exterior cabinet parts are manufactured with various paint color options. To insure that you receive the proper paint color, you must include the complete model and serial number of the unit for which cabinet parts are being ordered.

# FUNCTIONAL COMPONENTS



SEXP-237

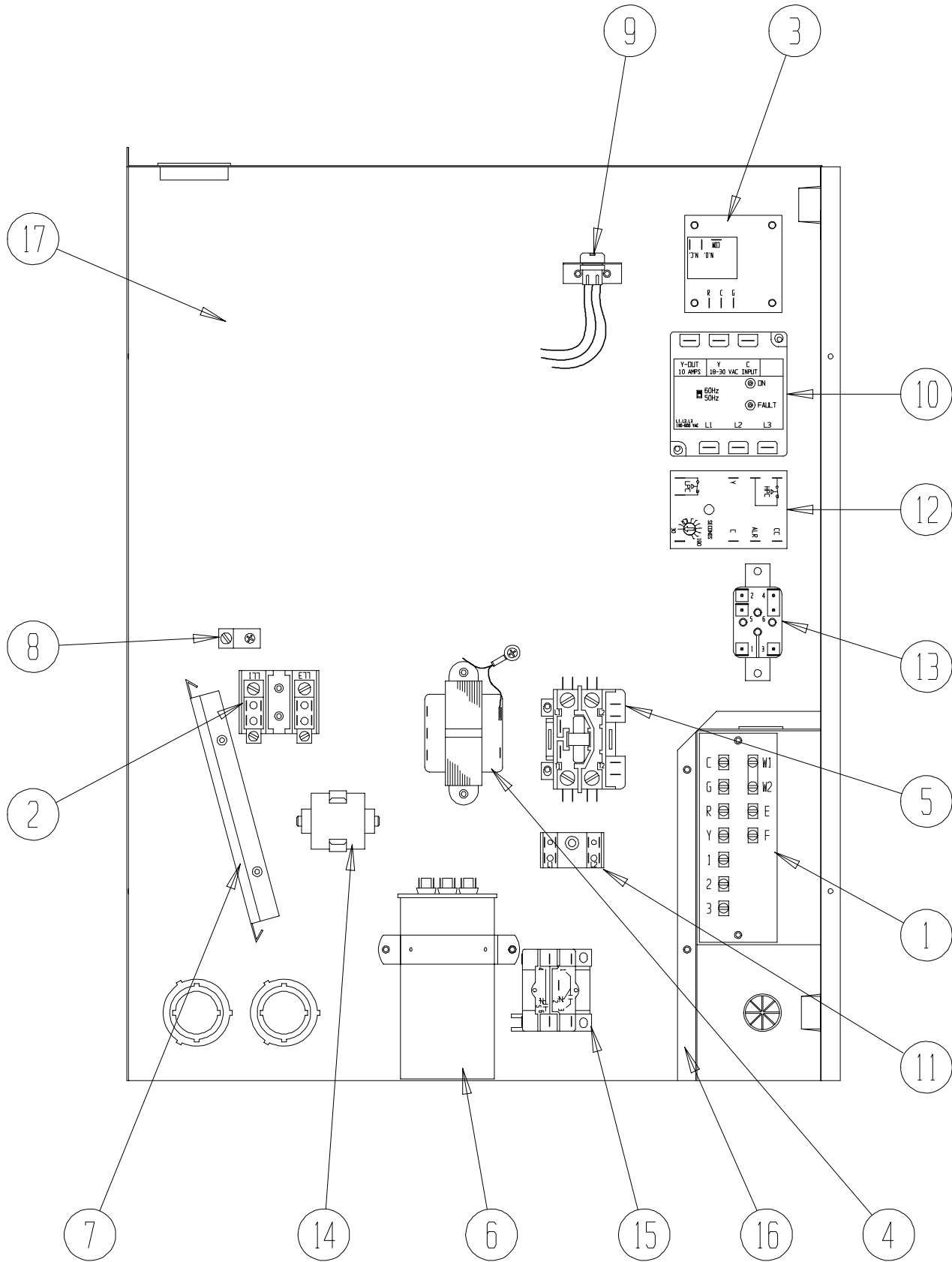
# FUNCTIONAL COMPONENTS

Dwg. No.	Part No.	Description	WL4822A	WL4823A	WL4822B	WL4823B	WL6022A	WL6023A	WL602NA	WL6022B	WL6023B	WL602NB
1	8000-153	Compressor					X	X	X			
1	8000-154	Compressor								X	X	X
1	8000-156	Compressor			X	X						
1	8000-149	Compressor	X	X								
2	S900-185	Blower Assembly					X	X	X	X	X	X
2	S900-183	Blower Assembly	X	X	X	X						
3	8200-004	Fan Motor Mount	X	X	X	X	X	X	X	X	X	X
4	5151-027	Fan Blade	X	X	X	X	X	X	X	X	X	X
5	8105-039	Condenser Motor	X	X	X	X	X	X	X	X	X	X
6	5051-093	Condenser Coil	X	X	X	X	X	X	X	X	X	X
7	800-0232	Cooling Capillary Assembly							X			X
7	800-0204	Cooling Capillary Assembly	X	X	X	X						
7	800-0234	Distributor Assembly					X	X		X	X	
8	5060-082	Evaporator Coil					X	X	X	X	X	X
8	5060-070	Evaporator Coil	X	X	X	X						
9	7004-016	Air Filter 1" Throw-Away	X		X		X			X		
9	7003-030	Air Filter 1" Washable	X		X		X			X		
9	7004-027	Air Filter 2" Pleated	X		X		X			X		
10	1171-022	1/4 Turn Fastener	X	X	X	X	X	X	X	X	X	X
11	1171-024	1/4 Turn Retainer	X	X	X	X	X	X	X	X	X	X
12	1171-023	1/4 Receptacle	X	X	X	X	X	X	X	X	X	X
NS	1804-0106	High Pressure Switch (Flare) ①	X	X	X	X	X	X	X	X	X	X
NS	1804-0107	Low Pressure Switch (Flare) ①	X	X	X	X	X	X	X	X	X	X
NS	CMA-6	Low Ambient Control (Flare) ①	X	X	X	X	X	X	X	X	X	X

NS – Not Shown

① – Optional on these models

# CONTROL PANEL



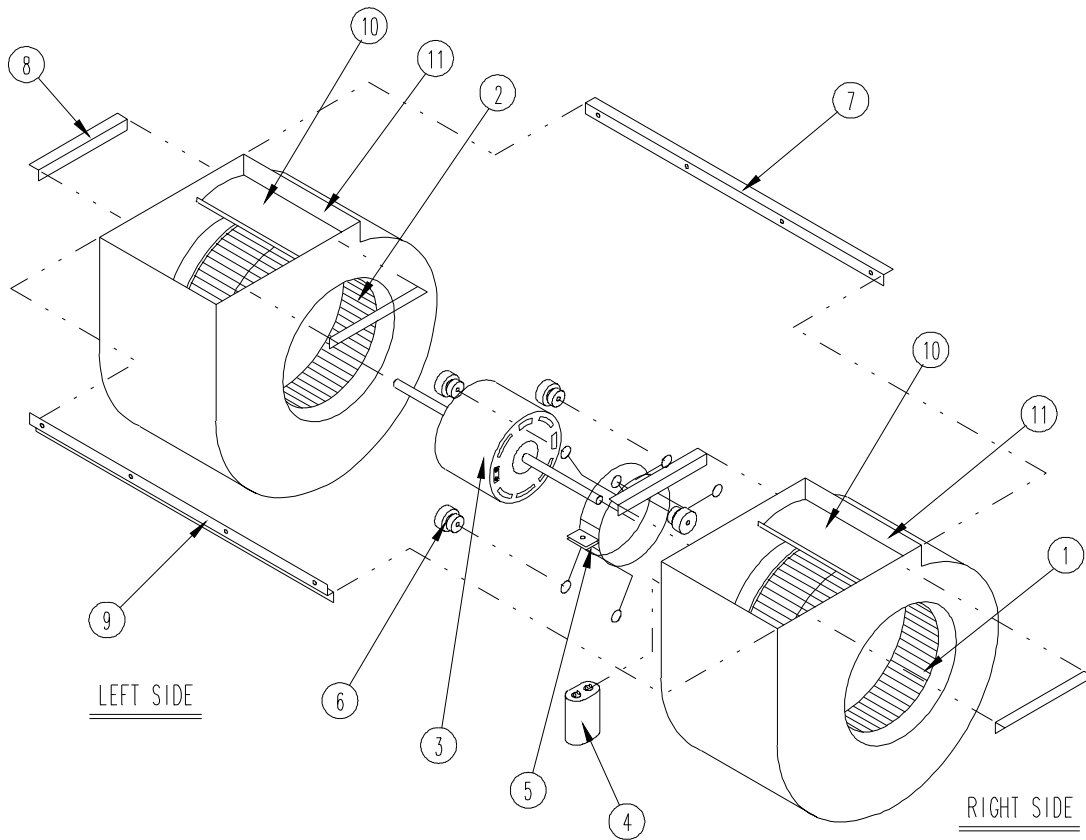
SEXP-328

# CONTROL PANEL

Drawing No.	Part No.	Description	WL4822A	WL4823A	WL6022A	WL6023A	WL602NA	WL4822B	WL4823B	WL6022B	WL6023B	WL602NB
1	8607-020	Low Voltage Terminal Strip		X						X		
2	8607-013	Terminal Block 2 Pole		X								
2	8607-014	Terminal Block								X		
3	8201-056	Blower Control		X						X		
4	8407-034	Transformer		X						X		
5	8401-025	Compressor Contactor		X								
5	8401-002	Compressor Contactor								X		
6	8552-058	Compressor Capacitor		X								
6	8552-005	Putdoor Fan Capacitor								X		
7	135-130	Wire Shield		X						X		
8	8611-006	Ground Terminal		X						X		
9	3000-978	6 Pin Connector		X						X		
10	8201-085	Phase Monitor		X						X		
11	8607-017	Terminal Block (Optional)		X						X		
12	8201-088	Compressor Control Module		X						X		
13	8201-062	Alarm Relay (Optional)		X						X		
14	8551-005	Start Device (PTRC) (Optional)		X								
15	8201-032	Outdoor Fan Relay (Optional)		X						X		
16	117Y139	Low Voltage Box		X						X		
17	117Y143	Control Panel		X						X		
NS	4095-128	Wiring Diagram		X								
NS	4095-227	Wiring Diagram										X

NS – Not Shown

# BLOWER ASSEMBLY



SEXP-178

Drawing No.	Part No.	Description	900-185	900-183
1	5152-011	10 Inch Wheel (CW)	X	
1	5152-057	9 Inch Wheel (CW)		X
2	5152-012	10 Inch Wheel (CCW)	X	
2	5152-058	9 Inch Wheel (CCW)		X
3	8106-030	Blower Motor (230/208)	X	
4	8552-005	Capacitor	X	X
5	8200-040	Motor Mount	X	X
6	5451-011	Grommets	6	6
7	105-880	Back Brace	X	X
8	105-881	Side Angle	4	4
9	103-389	Front Brace	X	X
10	151-101	Housing	2	2
11	144-166	Diffuser	2	2