
REPLACEMENT PARTS MANUAL

WALL MOUNTED PACKAGE AIR CONDITIONER

Models: **WA182, WA242**

General Notes

- Revised and/or additional pages may be issued from time to time.
- A complete and current manual consists of pages shown in the following contents section.

Important

- Contact the installing and/or local Bard distributor for all parts requirements. Make sure you have the complete model and serial number available from the unit rating plates.

Contents

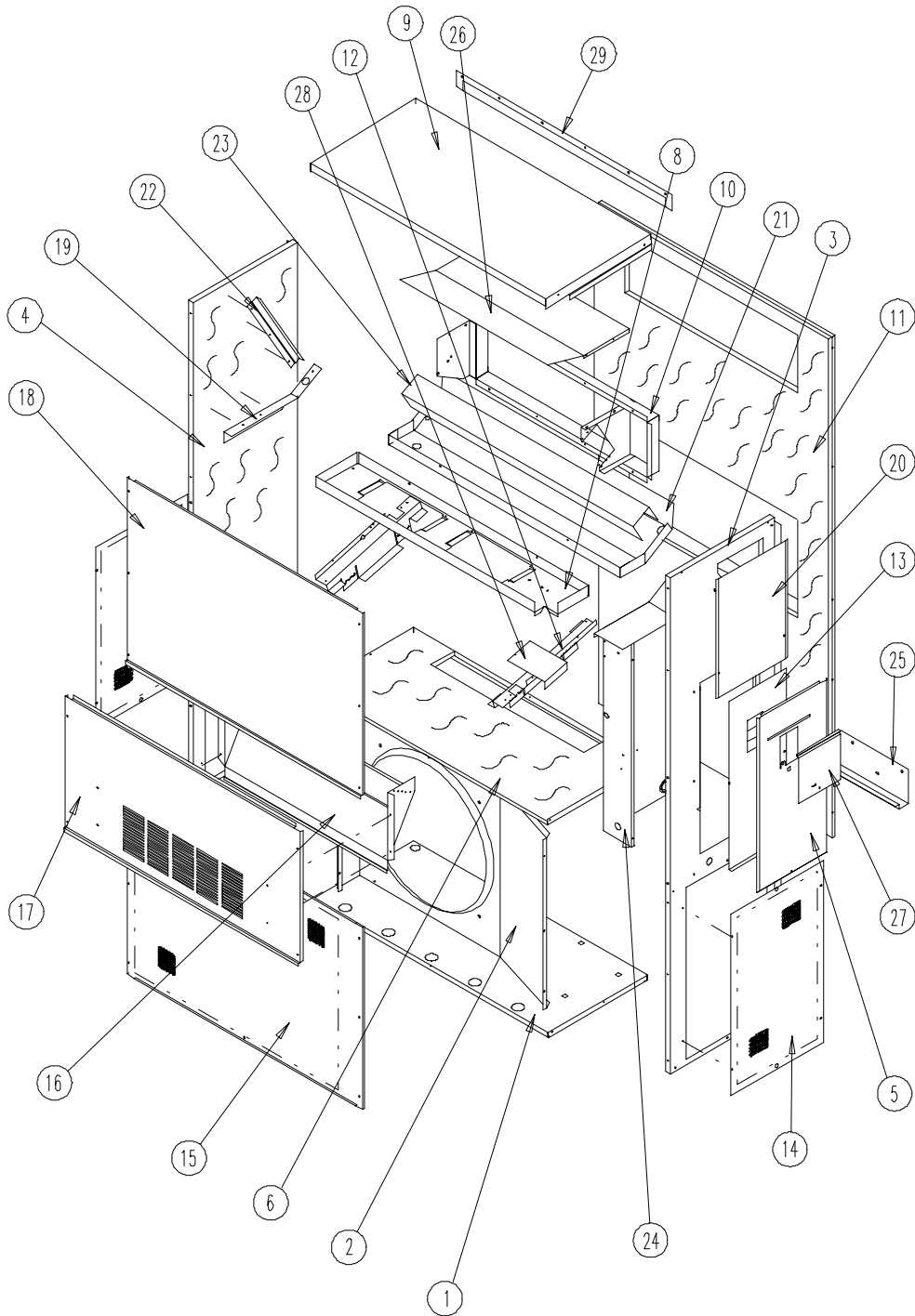
| Description | Page |
|-----------------------|------|
| Cabinet Components | |
| ♦ Exploded View | 1 |
| ♦ Usage List | 2 |
| Functional Components | |
| ♦ Exploded View | 3 |
| ♦ Usage List | 4 |
| Control Panel | |
| ♦ Exploded View | 5 |
| ♦ Usage List | 6 |
| Blower Assembly | |
| ♦ Exploded View | 7 |
| ♦ Usage List | 7 |



BARD MANUFACTURING COMPANY
Bryan, Ohio 43506
Since 1914...Moving ahead, just as planned.

Manual: 2110-442A
Supersedes: 2110-422
File: 2150-004, Tab 16
Date: 03-25-02

CABINET COMPONENTS



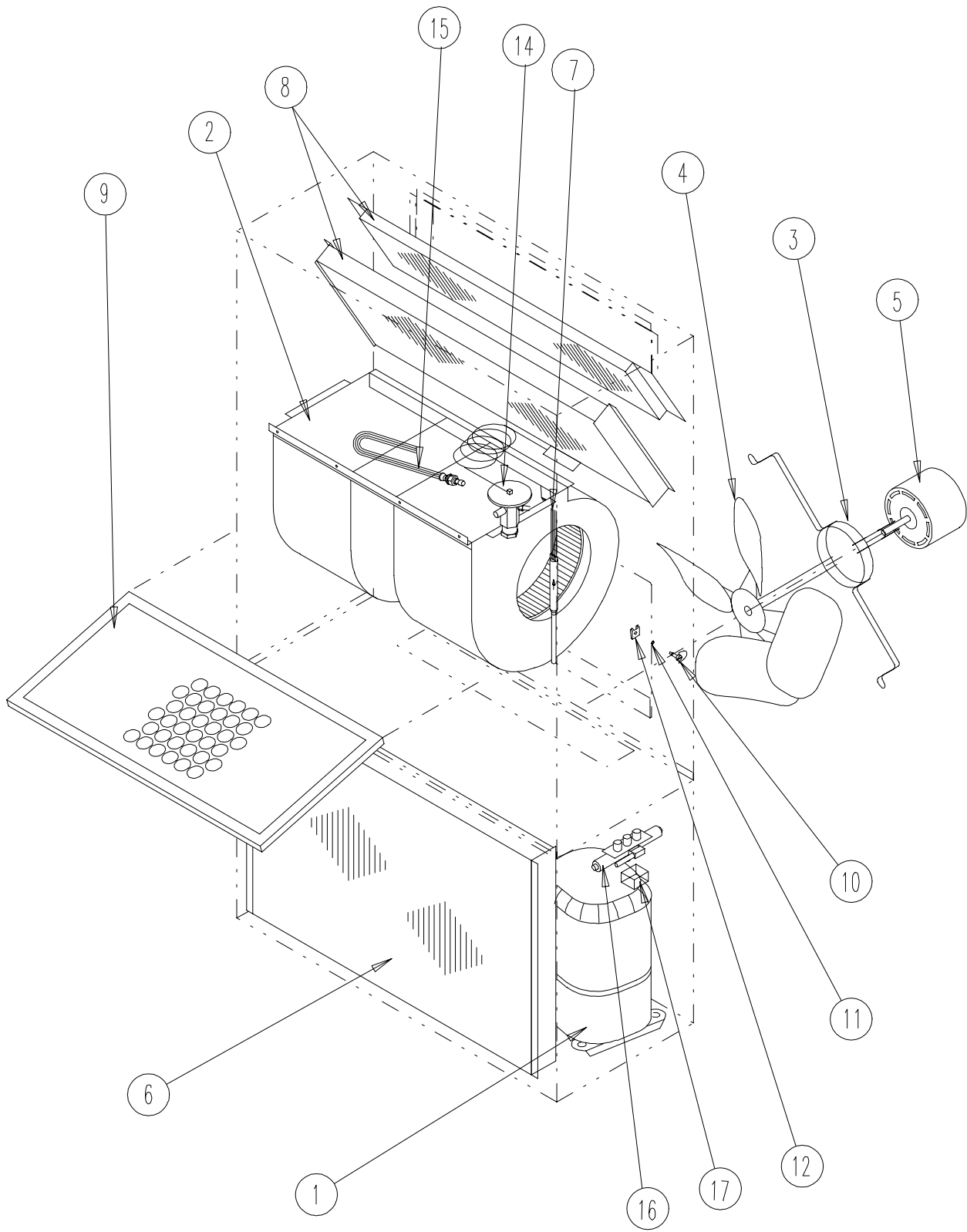
SEXP-171

CABINET COMPONENTS

| Drawing No. | Part No. | Description | WA182-A, D | WA242-A, B, D | WA242-F | WA242HA | WA242HB |
|----------------|---------------------------|--|------------|---------------|---------|---------|---------|
| 1 | S127-204 | Lower Base | X | X | X | X | X |
| 2 | 125-023 | Fan Shroud | X | X | X | X | X |
| 3 | S500-228-* ① | Right Side | X | X | X | X | X |
| 4 | S500-229-* ① | Left Side | X | X | X | X | X |
| 5 | S533-109-* ① | Control Panel Cover (Outer) | X | X | X | X | X |
| 6 | S521X204 | Condenser Partition | X | X | X | X | X |
| 8 | 121X190 | Blower Partition | X | X | X | X | X |
| 9 | S506-137-* ① | Top | X | X | X | X | X |
| 10 | S111X032 | Outlet Airframe Assembly | X | X | X | X | X |
| 11 | S508-097 | Back | X | X | X | X | X |
| 12 | 113X195 | Filter Bracket | 2 | 2 | 2 | 2 | 2 |
| 13 | S132-104 | Control Panel Cover (Inner) | X | X | | X | X |
| 13 | 132-110 | Control Panel Cover (Inner) | | | X | | |
| 14 | 118-028-* ① | Side Grille | 2 | 2 | 2 | X | X |
| 15 | 118-030-* ① | Condenser Grille | X | X | X | X | X |
| 16 | BFAD-2 | Fresh Air Damper Assembly | X | X | X | X | X |
| 17 | S552-213-* ① | Service Door | X | X | X | X | X |
| 18 | S514-076-* ① | Upper Front | X | X | X | X | X |
| 19 | 105X850 | Left Side Support | X | X | X | X | X |
| 20 | S143-034-* ① | Right Side Cover Plate (Outer) | X | X | X | X | X |
| 21 | S123-080 | Drain Pan | X | X | X | X | X |
| 22 | 147-044 | Left Evaporator Support | X | X | X | X | X |
| 23 | 137-195 | Bottom Evaporator Fill | X | X | X | X | X |
| 24 | Control Panel Assembly | See Control Panel Assembly Drawing and Parts List | X | X | X | X | X |
| 25 | 113-140 | Bottom Mounting Bracket | X | X | X | X | X |
| 26 | 135X127 | Heat Shield | X | X | X | X | X |
| 27 | S153-218-* ① | Disconnect Access Door | X | X | X | X | X |
| 28 | 137-259 | Fill Plate | X | X | X | | |
| 28 | 136-212 | Fill Plate | | | | X | X |
| 29 | 113-141-* ① | Top Rain Flashing | X | X | X | X | X |

① NOTE: Exterior cabinet parts are manufactured with various paint color options. To insure that you receive the proper paint color, you must include the complete model and serial number of the unit for which cabinet parts are being ordered.

FUNCTIONAL COMPONENTS



SEXP-162

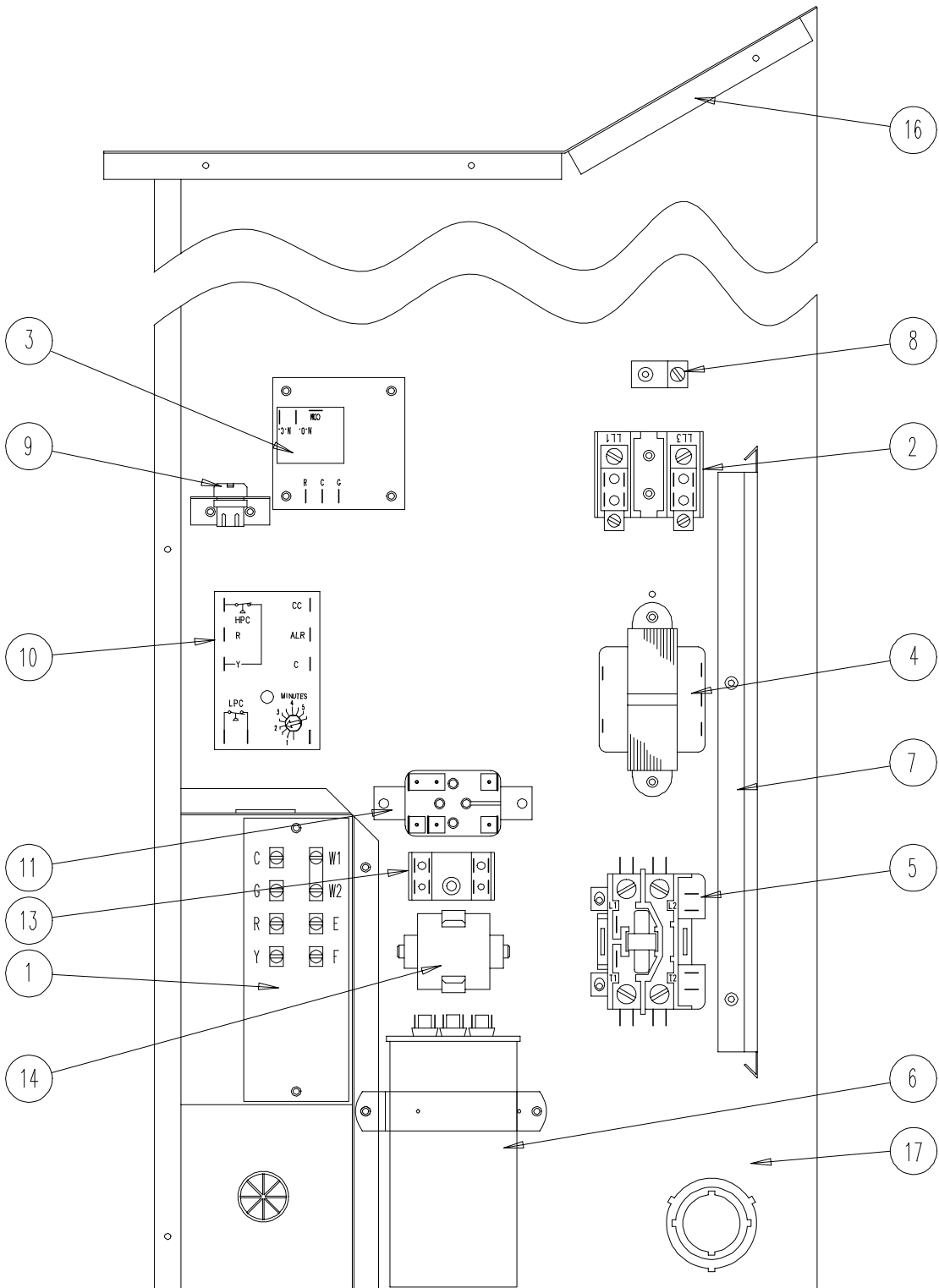
FUNCTIONAL COMPONENTS

| Dwg. No. | Part No. | Description | WA182-A | WA182-D | WA242-A | WA242-B | WA242-D | WA242-F | WA242HA | WA242HB |
|----------|-----------|--------------------------------|---------|---------|---------|---------|---------|---------|---------|---------|
| 1 | 8000-139 | Compressor | X | | | | | | | |
| 1 | 8000-140 | Compressor | | | X | | | | X | |
| 1 | 8000-141 | Compressor | | | | X | | | | X |
| 1 | 8000-142 | Compressor | | | | | | X | | |
| 1 | 8000-143 | Compressor | | | | | X | | | |
| 1 | 8000-186 | Compressor | | X | | | | | | |
| 2 | S900-248 | Blower Assembly | X | X | X | X | X | X | X | X |
| 3 | 8200-001 | Fan Motor Mount | X | X | X | X | X | X | X | X |
| 4 | 5151-033 | Fan Blade | X | X | X | X | X | X | X | X |
| 5 | 8103-016 | Condensor Motor | X | X | X | X | X | X | X | X |
| 6 | 5051-071 | Condensor Coil | X | X | X | X | X | X | X | X |
| 7 | 800-0197 | Cooling Capillary Assembly | X | X | | | | | | |
| 7 | 800-0198 | Cooling Capillary Assembly | | | X | X | X | X | | |
| 8 | 5060-066 | Evaporator Coil | | | X | X | X | X | X | X |
| 8 | 5060-067 | Evaporator Coil | X | X | | | | | | |
| 9 | 7004-011 | Air Filter 1" Throw-Away | X | X | X | X | X | X | X | X |
| 9 | 7003-032 | Air Filter 1" Washable ① | X | X | X | X | X | X | X | X |
| 9 | 7004-025 | Air Filter 2" Pleated ① | X | X | X | X | X | X | X | X |
| 10 | 1171-022 | 1/4" Turn Fastener | X | X | X | X | X | X | X | X |
| 11 | 1171-024 | 1/4" Turn Retainer | X | X | X | X | X | X | X | X |
| 12 | 1171-023 | 1/4" Receptacle | X | X | X | X | X | X | X | X |
| NS | 1804-0106 | High Pressure Switch (Flare) ① | X | X | X | X | X | X | X | X |
| NS | 1804-0107 | Low Pressure Switch (Flare) ① | X | X | X | X | X | | | |
| NS | CMA-6 | Low Ambient Control (Flare) ① | X | X | X | X | X | X | X | X |
| NS | 5201-001 | Filter Dryer | | | | | | | X | X |
| NS | 5201-014 | Sight Glass | | | | | | | X | X |
| NS | 5202-016 | Accumulator | | | | | | | X | X |
| NS | 5203-004 | Receiver | | | | | | | X | X |
| NS | 5651-051 | Shut-Off Valve | | | | | | | X | X |
| NS | 5651-096 | Hot Gas Bypass Valve | | | | | | | X | X |
| NS | 5651-097 | Head Pressure Control Valve | | | | | | | X | X |
| NS | 5651-098 | Distributor | | | | | | | X | X |
| NS | 5651-099 | TXV | | | | | | | X | X |

NS – Not Shown

①– Optional on these models

CONTROL PANEL



SEXP-163

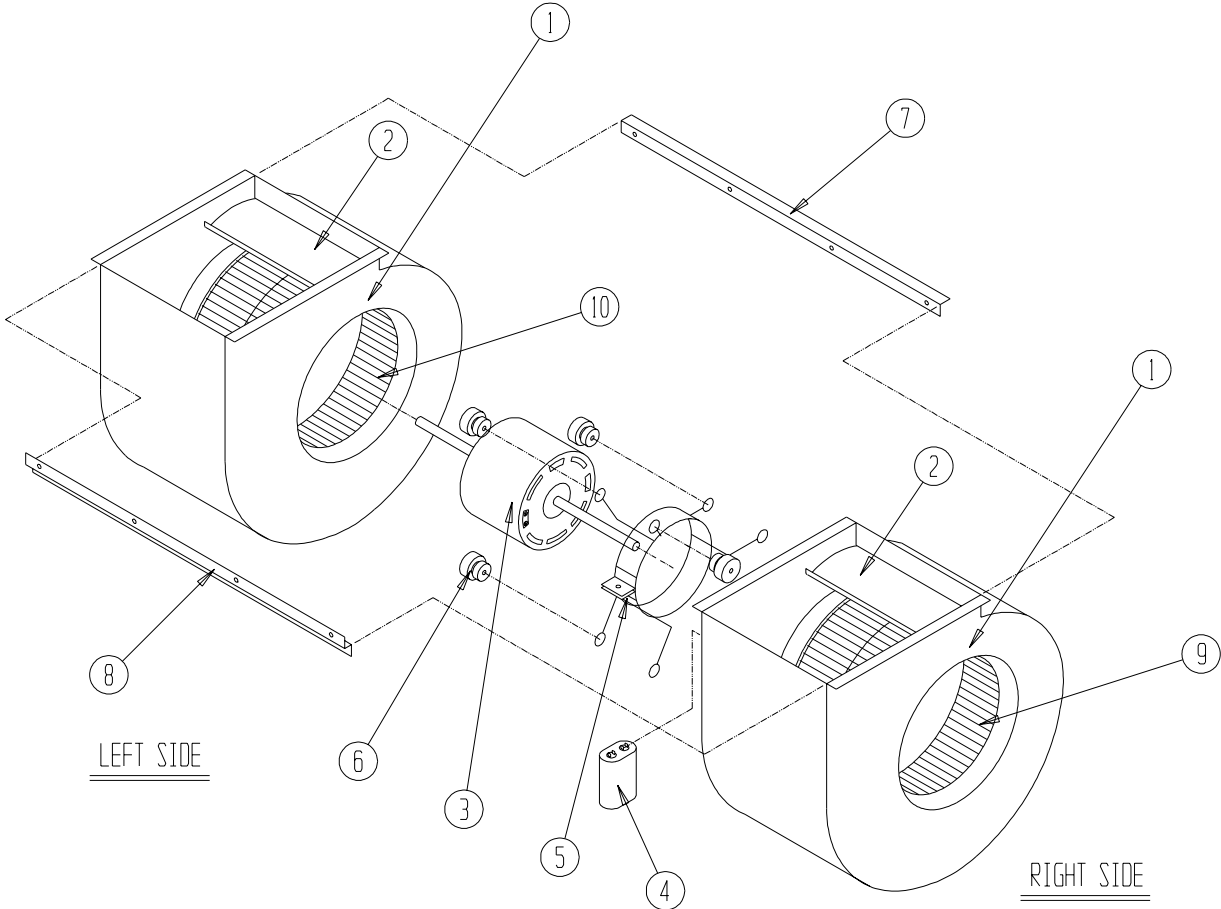
CONTROL PANEL

| Drawing No. | Part No. | Description | WA182-A | WA182-D | WA242-A | WA242-B | WA242-D | WA242-F | WA242HA | WA242HB |
|-------------|----------|------------------------------------|---------|---------|---------|---------|---------|---------|---------|---------|
| 1 | 8607-020 | Low Voltage Terminal Strip | X | X | X | X | X | X | X | X |
| 2 | 8607-013 | Terminal Block 2 Pole | X | X | X | | X | 2 | X | |
| 2 | 8607-014 | Terminal Block 3 Pole | | | | X | | | | X |
| 3 | 8201-056 | Blower Control | X | X | X | X | X | X | X | X |
| 4 | 8407-034 | Transformer | X | X | X | X | X | X | X | X |
| 5 | 8401-007 | Compressor Contactor | X | X | X | | X | | X | |
| 5 | 8401-002 | Compressor Contactor | | | | X | | X | | X |
| 6 | 8552-046 | Compressor Capacitor | X | X | | | | | | |
| 6 | 8552-047 | Compressor Capacitor | | | X | | X | | X | |
| 6 | 8552-002 | Outdoor MotorCapacitor | | | | X | | X | | X |
| 7 | 135-122 | Wire Shield | X | X | X | X | X | X | X | X |
| 8 | 8611-006 | Ground Terminal | X | X | X | X | X | X | X | X |
| 9 | 3000-968 | 6 Pin Connector | X | X | X | X | X | X | X | X |
| 10 | 8201-088 | Compressor Control Module (Opt.) | X | X | X | X | X | X | X | X |
| 11 | 8201-062 | Alarm Relay (Optional) | X | X | X | X | X | X | X | X |
| 11 | 8201-089 | Low Voltage Terminal Strip | | | | | | | | |
| 12 | 8201-050 | Compressor TDR (Optional) | X | X | X | X | X | X | X | X |
| 13 | 8607-017 | Terminal Block (Optional) | X | X | X | X | X | X | X | X |
| 14 | 8551-005 | Start Device (PTCR) (Optional) | X | X | X | | X | X | X | |
| 16 | 117-137 | Control Panel Top | X | X | X | X | X | X | X | X |
| 17 | 117-123 | Control Panel | X | X | X | X | X | X | X | X |
| NS | 8615-035 | Circuit Breaker 20 A 2 Pole (Opt)① | X | X | X | | X | | | |
| NS | 8615-053 | Pull Disconnect (Optional) ① | | | | | | X | | |
| NS | 8615-056 | Circuit Breaker 15 A 3 Pole (Opt)① | | | | X | | | | |
| NS | 4095-130 | Wiring Diagram | X | X | X | | X | | X | |
| NS | 4095-228 | Wiring Diagram | | | | X | | | | X |
| NS | 4095-621 | Wiring Diagram | | | | | | X | | |

NS = Not Shown

- ① Circuit breakers listed are for units without electric heat, "0Z" models. Hot gas bypass models not available without electric heat. See Heater Replacement Parts Manual for units with electric heat.

BLOWER ASSEMBLY



SEXP-346

Drawing

| No. | Part No. | Description | S900-248 |
|-----|----------|------------------------|----------|
| 1 | 151-115 | Housing | X |
| 2 | 144-183 | Cutoff | X |
| 3 | 8102-011 | Blower Motor (230/208) | X |
| 4 | 8552-002 | Capacitor | X |
| 5 | 8200-031 | Motor Mount | X |
| 6 | 5451-011 | Grommets | 6 |
| 7 | 105-1061 | Back Brace | X |
| 8 | 103-435 | Front Brace | X |
| 9 | 5152-092 | Wheel 9-6 CW | X |
| 10 | 5152-093 | Wheel 9-6 CCW | X |