

---

# REPLACEMENT PARTS MANUAL

# WALL MOUNTED PACKAGE AIR CONDITIONER

Models: **WA182, WA242**

---

## General Notes

- Revised and/or additional pages may be issued from time to time.
- A complete and current manual consists of pages shown in the following contents section.

## Important

- Contact the installing and/or local Bard distributor for all parts requirements. Make sure you have the complete model and serial number available from the unit rating plates.

## Contents

Description	Page
Cabinet Components	
♦ Exploded View .....	2
♦ Usage List .....	3
Functional Components	
♦ Exploded View .....	4
♦ Usage List .....	5
Control Panel	
♦ Exploded View .....	6
♦ Usage List .....	7
Blower Assembly	
♦ Exploded View .....	8
♦ Usage List .....	8

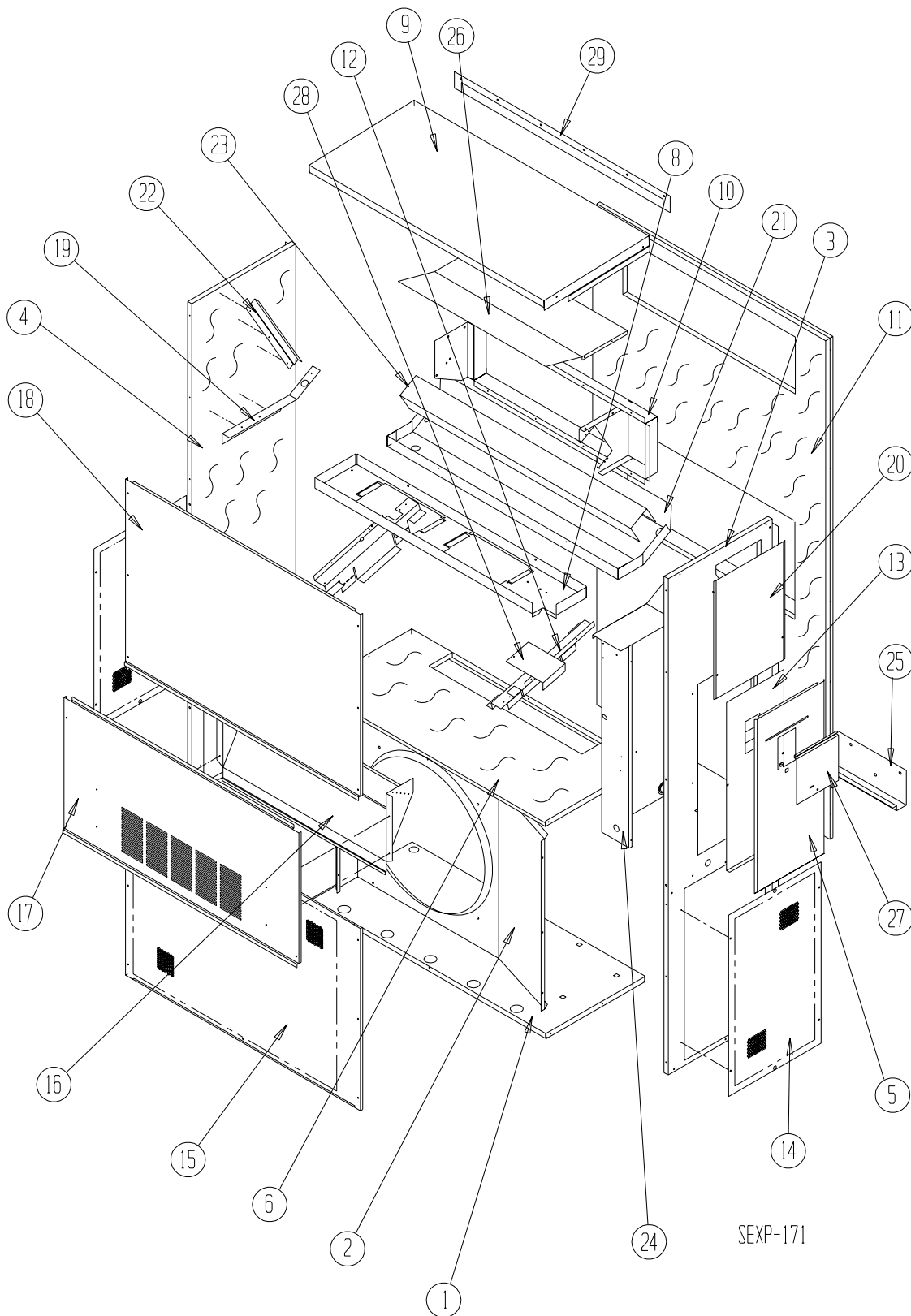


CLIMATE CONTROL SOLUTIONS

Bard Manufacturing Company, Inc.  
Bryan, Ohio 43506  
*Since 1914...Moving ahead, just as planned.*

Manual: 2110-442D  
Supersedes: 2110-442C  
File: Tab 16  
Date: 06-05-07

# CABINET COMPONENTS



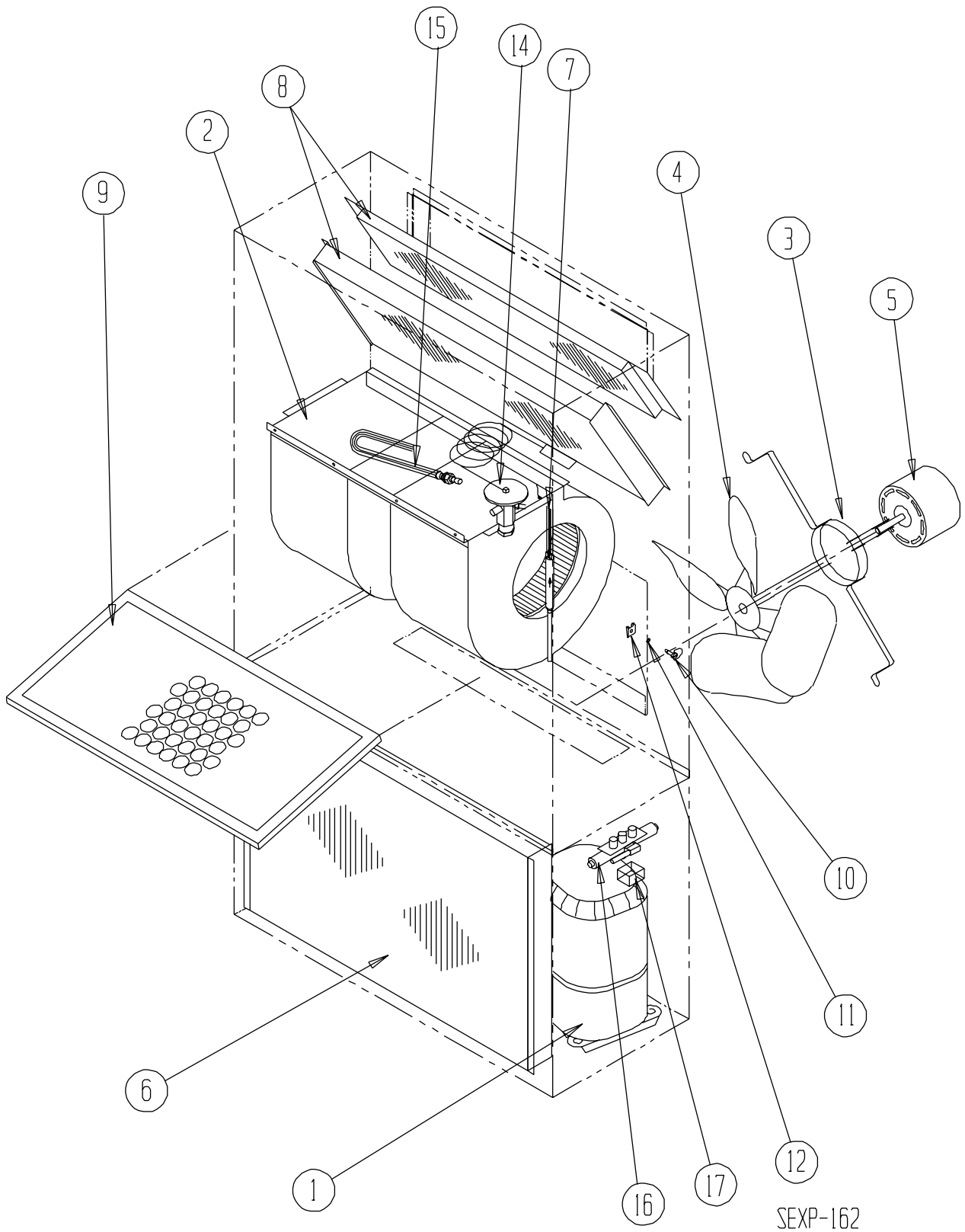
# CABINET COMPONENTS

Dwg. No.	Part Number	Description	WA182-A	WA242-A, B, D	WA242-F, C	WA242HA	WA242HB
1	S127-204	Lower Base	X	X	X	X	X
2	125-023	Fan Shroud	X	X	X	X	X
3	S500-228-* ①	Right Side	X	X	X	X	X
3	S500-441-* ②	Right Side	X	X			
4	S500-229-* ①	Left Side	X	X	X	X	X
4	S500-442-* ②	Left Side	X	X			
5	S533-109-* ①	Control Panel Cover (Outer)	X	X	X	X	X
5	S533-182-* ②	Control Panel Cover (Outer)	X	X			
6	S521X204	Condenser Partition	X	X	X	X	X
8	121X336	Blower Partition	X	X	X	X	X
9	S506-137-* ①	Top	X	X	X	X	X
9	S506-270-* ②	Top	X	X			
10	S111X032	Outlet Air Frame Assembly	X	X	X	X	X
11	S508-097	Back	X	X	X	X	X
11	S508-208 ②	Back	X	X			
12	113X195	Filter Bracket	2	2	2	2	2
13	S132-104	Control Panel Cover (Inner)	X	X		X	X
13	S132-172	Control Panel Cover (Inner)			X		
14	118-056-* ①	Side Grille	2	2	2	2	2
14	118-060-* ②	Side Grille	2	2			
15	118-050-* ①	Condenser Grille	X	X	X	X	X
15	118-070-* ②	Condenser Grille	X	X			
16	BFAD-2	Fresh Air Damper Assembly	X	X	X	X	X
17	S552-213-* ①	Service Door	X	X	X	X	X
17	S552-436-* ②	Service Door	X	X			
18	S514-076-* ①	Upper Front	X	X	X	X	X
18	S514-155-* ②	Upper Front	X	X			
19	105X850	Side Support	X	X	X	X	X
20	S143-034-* ①	Right Side Cover Plate (Outer)	X	X	X	X	X
20	S143-103-* ②	Right Side Cover Plate (Outer)	X	X			
21	S123-080	Drain Pan	X	X	X	X	X
22	147-044	Left Evaporator Support	X	X	X	X	X
23	137-195	Bottom Evaporator Fill	X	X	X	X	X
24	Control Panel Assembly	See Control Panel Assembly Drawing and Parts List Assembly	X	X	X	X	X
25	113-140	Bottom Mounting Bracket	X	X	X	X	X
26	135X127	Heat Shield	X	X	X	X	X
27	S153-218-* ①	Disconnect Access Door	X	X	X	X	X
27	S153-387-* ②	Disconnect Access Door	X	X			
28	137-259	Fill Plate	X	X	X	X	X
29	113-141-* ①	Top Rain Flashing	X	X	X	X	X
NS	S536-176	Cond. Part. Block Off Plate	X	X	X	X	X

① NOTE: Exterior cabinet parts are manufactured with various paint color options. To insure that you receive the proper paint color, you must include the complete model and serial number of the unit for which cabinet parts are being ordered.

② NOTE: Exterior cabinet parts are manufactured from aluminum Code "A".

# FUNCTIONAL COMPONENTS



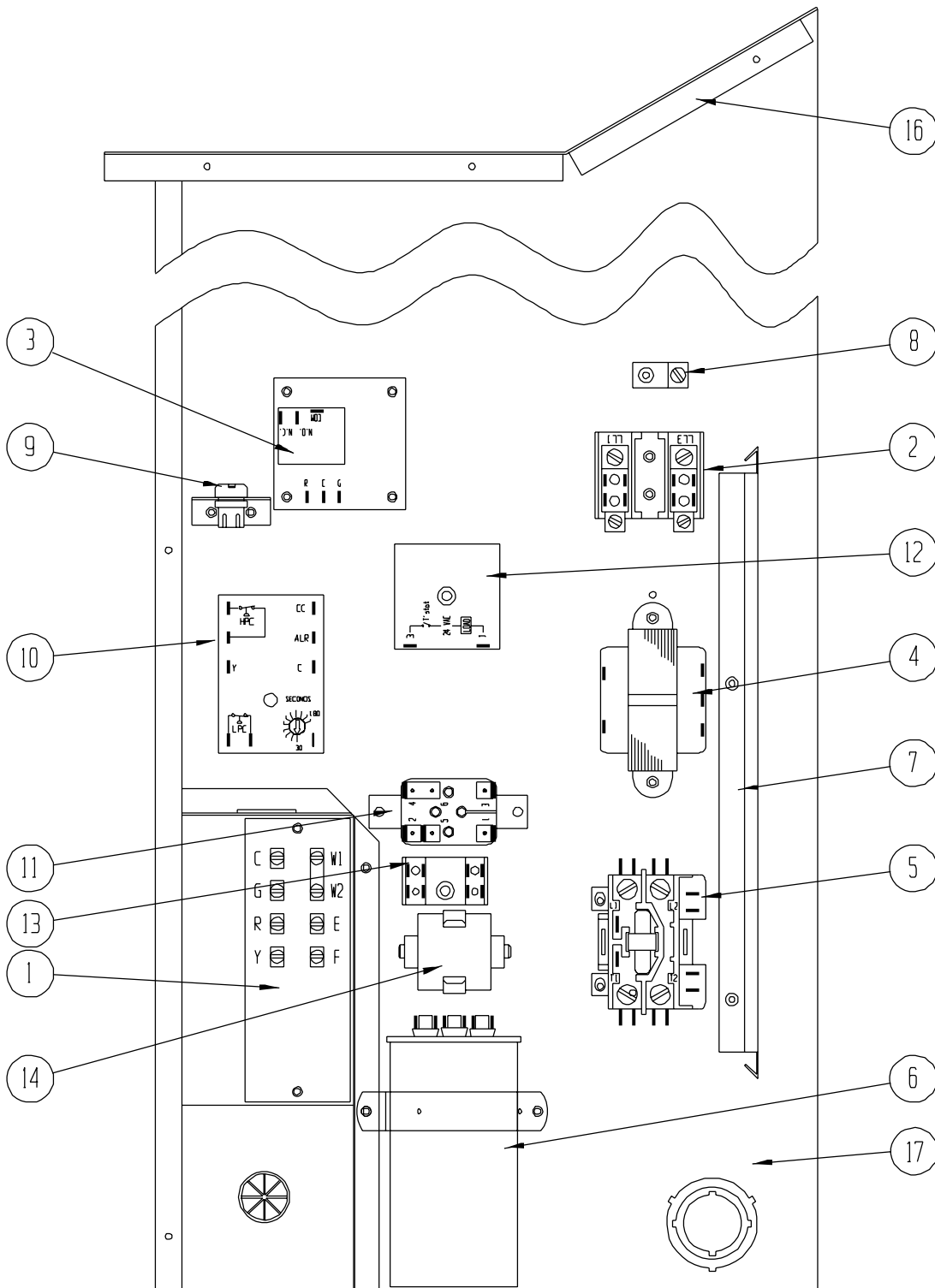
# FUNCTIONAL COMPONENTS

Dwg. No.	Part No.	Description	WA182-A	WA242-A	WA242-B	WA242-D	WA242-F	WA242HA	WA242HB	WA242-C
1	8000-139	Compressor	X							
1	8000-140	Compressor		X				X		
1	8000-141	Compressor			X				X	
1	8000-142	Compressor					X			X
1	8000-143	Compressor				X				
2	S900-248	Blower Assembly	X	X	X	X	X	X	X	
2	S900-250	Blower Assembly								X
3	8200-001	Fan Motor Mount	X	X	X	X	X	X	X	X
4	5151-033	Fan Blade	X	X	X	X	X	X	X	
4	5151-046	Fan Blade								X
5	8103-016	Condensor Motor	X	X	X	X	X	X	X	
5	8103-020	Condensor Motor								X
6	5051-071BX	Condensor Coil	X	X	X	X	X	X	X	X
7	800-0197	Cooling Capillary Assembly	X							
7	800-0198	Cooling Capillary Assembly		X	X	X	X			X
8	5060-066BX	Evaporator Coil		X	X	X	X	X	X	X
8	5060-067BX	Evaporator Coil	X							
9	7004-011	Air Filter 1" Throw-Away	X	X	X	X	X	X	X	X
9	7003-032	Air Filter 1" Washable ①	X	X	X	X	X	X	X	X
9	7004-025	Air Filter 2" Pleated ①	X	X	X	X	X	X	X	X
10	1171-022	1/4" Turn Fastener	X	X	X	X	X	X	X	X
11	1171-024	1/4" Turn Retainer	X	X	X	X	X	X	X	X
12	1171-023	1/4" Receptacle	X	X	X	X	X	X	X	X
NS	1804-0106	High Pressure Switch (Flare) ①	X	X	X	X	X	X	X	X
NS	1804-0107	Low Pressure Switch (Flare) ①	X	X	X	X	X			X
NS	CMA-6	Low Ambient Control (Flare) ①	X	X	X	X	X	X	X	X
NS	5201-001	Filter Dryer						X	X	
NS	5201-014	Sight Glass						X	X	
NS	5202-022	Accumulator						X	X	
NS	5203-004	Receiver						X	X	
NS	5651-051	Shut-Off Valve						X	X	
NS	5651-096	Hot Gas Bypass Valve						X	X	
NS	5651-097	Head Pressure Control Valve						X	X	
NS	5651-098	Distributor						X	X	
NS	5651-099	TXV						X	X	

NS – Not Shown

① – Optional on these models

# CONTROL PANEL



SEXP-163A

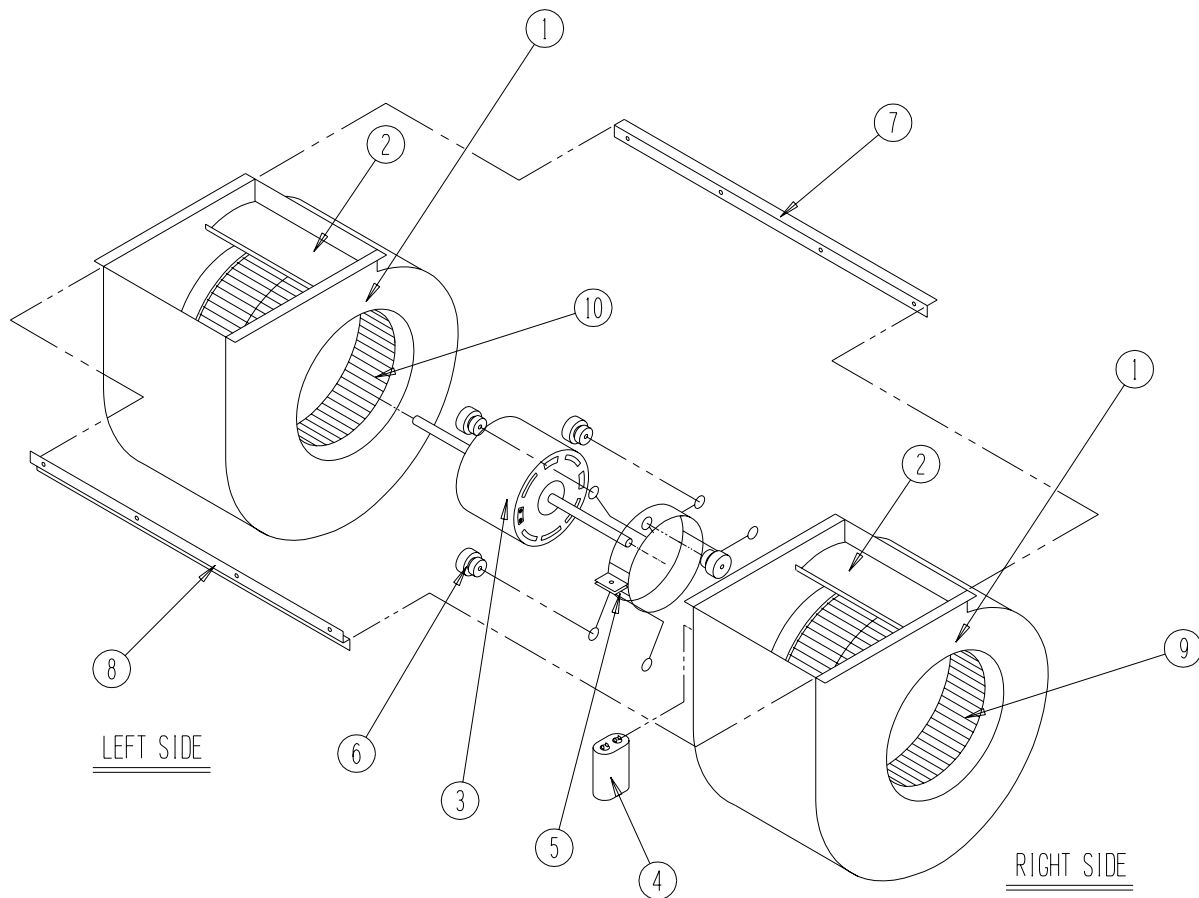
# CONTROL PANEL

Drawing No.	Part No.	Description	WA182-A	WA242-A	WA242-B	WA242-D	WA242-F	WA242HA	WA242HB	WA242-C
1	8607-020	Low Voltage Terminal Strip	X	X	X	X	X	X	X	X
2	8607-013	Terminal Block 2 Pole	X	X		X	2	X		
2	8607-014	Terminal Block 3 Pole			X				X	X
3	8201-032	Blower Control								X
3	8201-056	Blower Control	X	X	X	X	X	X	X	
4	8407-034	Transformer	X	X	X	X	X	X	X	X
4	8407-042	Transformer								X
5	8401-007	Compressor Contactor	X	X		X		X		
5	8401-002	Compressor Contactor			X		X		X	X
6	8552-046	Compressor Capacitor	X							
6	8552-047	Compressor Capacitor		X		X		X		
6	8552-002	Outdoor Motor Capacitor			X		X		X	X
7	135-122	Wire Shield	X	X	X	X	X	X	X	X
8	8611-006	Ground Terminal	X	X	X	X	X	X	X	X
9	3000-968	6-Pin Connector	X	X	X	X	X	X	X	X
10	8201-088	Compressor Control Module (Opt.)	X	X	X	X	X	X	X	X
11	8201-062	Alarm Relay (Optional)	X	X	X	X	X	X	X	X
12	8201-050	Compressor TDR (Optional)	X	X	X	X	X	X	X	X
13	8607-017	Terminal Block (Optional)	X	X	X	X	X	X	X	X
14	8551-004	Start Device (PTCR) (Optional)	X	X		X	X	X		
16	117X137	Control Panel Top	X	X	X	X	X	X	X	X
17	117X123	Control Panel	X	X	X	X	X	X	X	X
NS	8615-035	Circuit Breaker 20A 2 Pole (Opt.) ①	X	X		X				
NS	WMPD-01C	Pull Disconnect (Optional) ①					X			X
NS	8615-056	Circuit Breaker 15A 3 Pole (Opt.) ①			X					
NS	4095-130	Wiring Diagram	X	X		X		X		
NS	4095-228	Wiring Diagram			X				X	
NS	4095-621	Wiring Diagram					X			
NS	4091-319	Wiring Diagram								X

NS = Not Shown

① Circuit breakers listed are for units without electric heat, "0Z" models. Hot gas bypass models not available without electric heat. See Heater Replacement Parts Manual for units with electric heat.

# BLOWER ASSEMBLY



SEXP-346

Drawing No.	Part No.	Description	S900-248	S900-250
1	151-115	Housing	X	X
2	144-183	Cutoff	X	X
3	8102-011	Blower Motor (230/208)	X	
3	8105-033	Blower Motor (460V)		X
4	8552-002	Capacitor	X	X
5	8200-031	Motor Mount	X	X
6	5451-011	Grommets	6	6
7	105-1061	Back Brace	X	X
8	103-435	Front Brace	X	X
9	5152-092	Wheel 9-6 CW	X	X
10	5152-093	Wheel 9-6 CCW	X	X