
REPLACEMENT PARTS MANUAL

WALL MOUNTED PACKAGE AIR CONDITIONER

Model: **WE121**

General Notes

- Revised and/or additional pages may be issued from time to time.
- A complete and current manual consists of pages shown in the following contents section.

Important

- Contact the installing and/or local Bard distributor for all parts requirements. Make sure you have the complete model and serial number available from the unit rating plates.

Contents

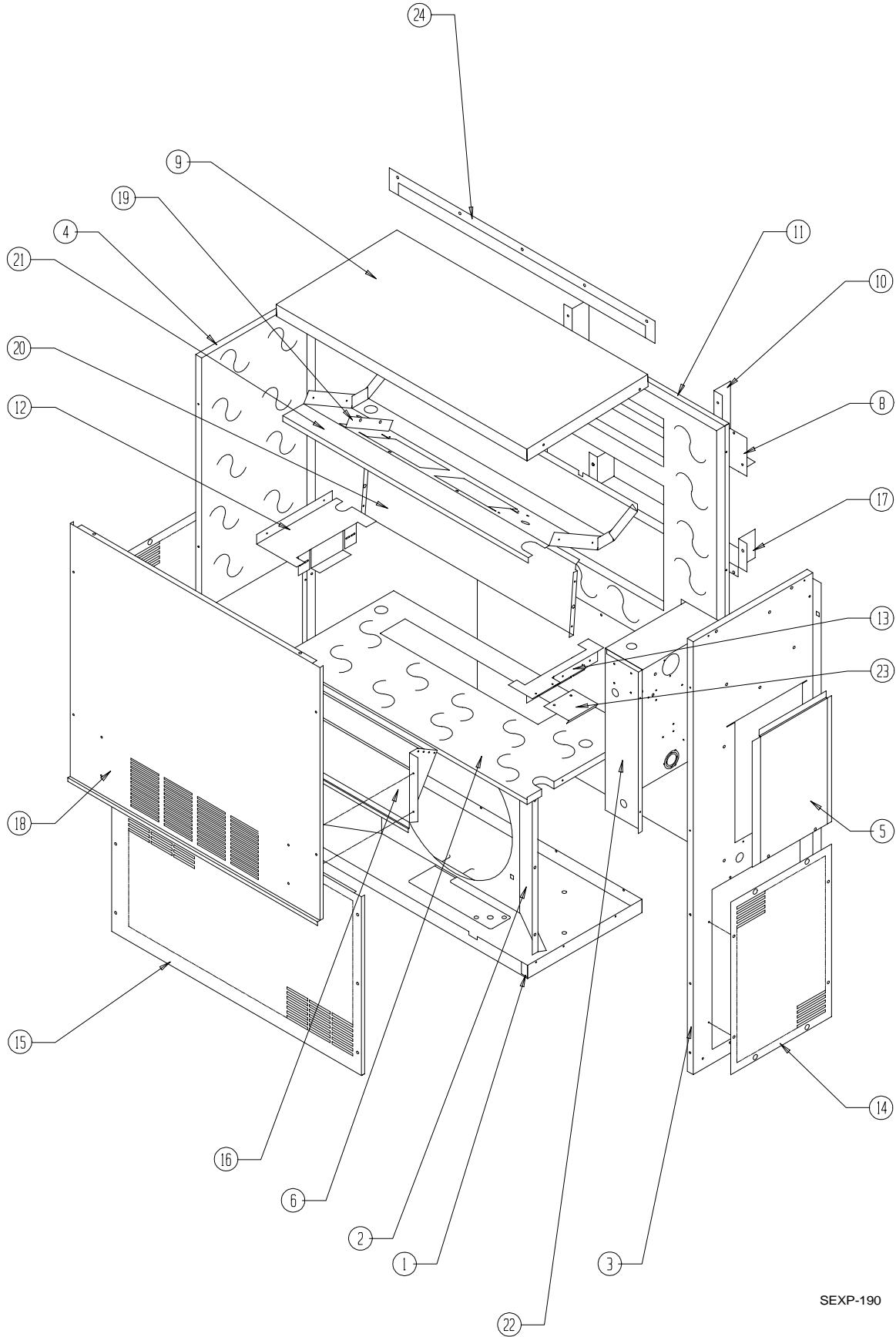
Description	Page
Cabinet Components	
♦ Exploded View	1
♦ Usage List	2
Functional Components	
♦ Exploded View	3
♦ Usage List	4
Control Panel	
♦ Exploded View	5
♦ Usage List	6
Blower Assembly	
♦ Exploded View	7
♦ Usage List	7



BARD MANUFACTURING COMPANY
Bryan, Ohio 43506
Since 1914...Moving ahead, just as planned.

Manual: 2110-447
Supersedes:
File: 2150-004, Tab 16
Date: 08-20-01

CABINET COMPONENTS



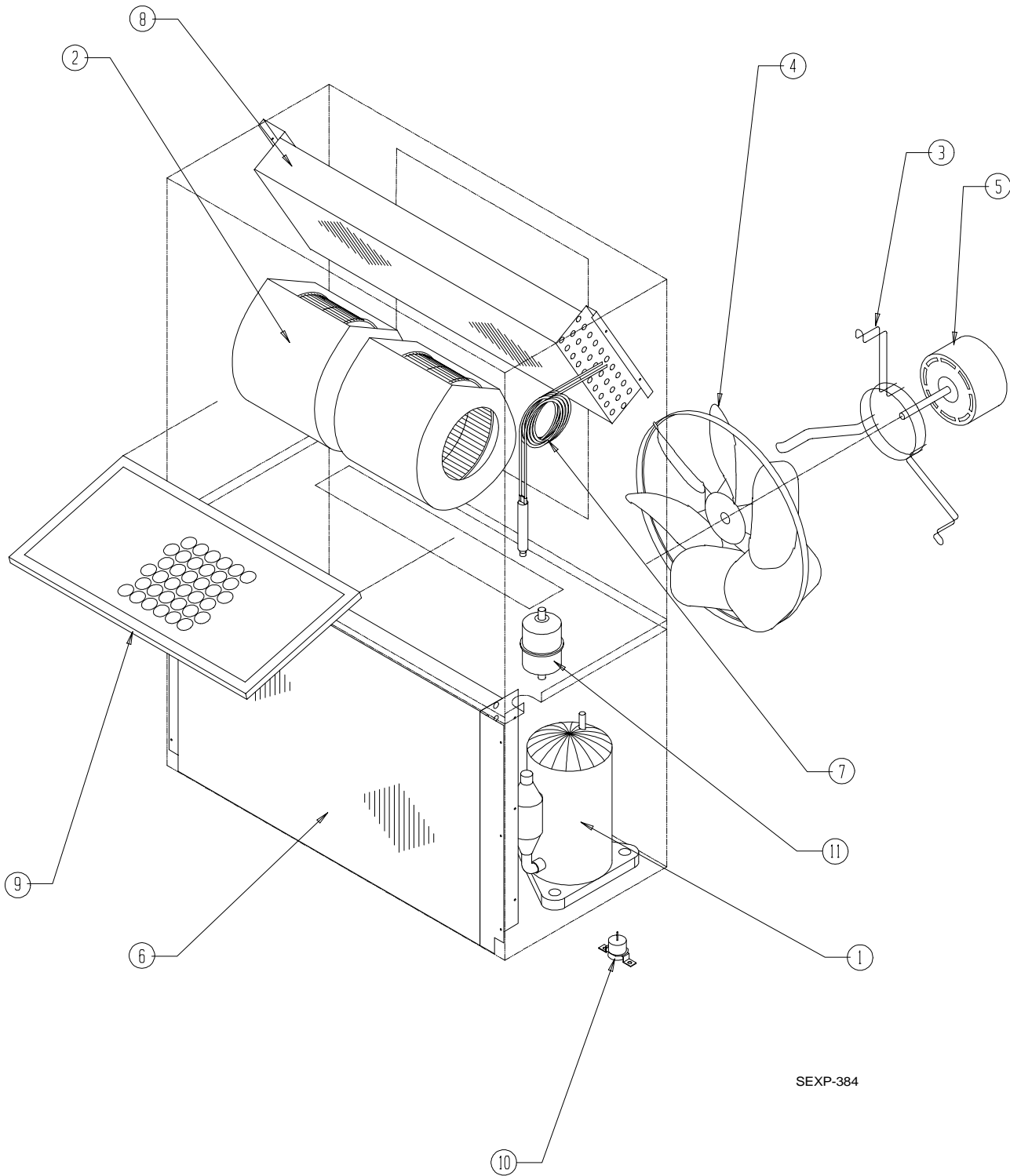
SEXP-190

CABINET COMPONENTS

Drawing No.	Part No.	Description	WE121-G
1	S126-223	Lower Base	X
2	124-025	Fan Shroud	X
3	500-274-* ①	Right Side	X
4	500-275-* ①	Left Side	X
5	S133-120-* ①	Control Panel Cover (Outer)	X
6	520-243	Condenser Partition	X
8	111-037	Top Return Air Frame Angle	X
9	506-148-* ①	Top	X
10	111-036	Outlet Air Frame Angle	X
11	508-102	Back	X
12	113-197	Left Filter Bracket	X
13	113-198	Right Filter Bracket	X
14	118-033-* ①	Side Grille	2
15	119-034-* ①	Condenser Grille	X
16	BFAD-1	Fresh Air Damper Assembly	X
17	111-038	Bottom Return Air Frame Angle	X
18	S514-085-* ①	Upper Front	X
19	113-176	Heater Bracket	X
20	121-245	Return Partition	X
21	S123-244	Drain Pan	X
22	Control Panel Assembly	See Control Panel Assembly Drawing and Parts List	X
23	135-138	Fill Plate	X
24	113-178-* ①	Top Rain Flashing	X

① NOTE: Exterior cabinet parts are manufactured with various paint color options. To insure that you receive the proper paint color, you must include the complete model and serial number of the unit for which cabinet parts are being ordered.

FUNCTIONAL COMPONENTS



SEXP-384

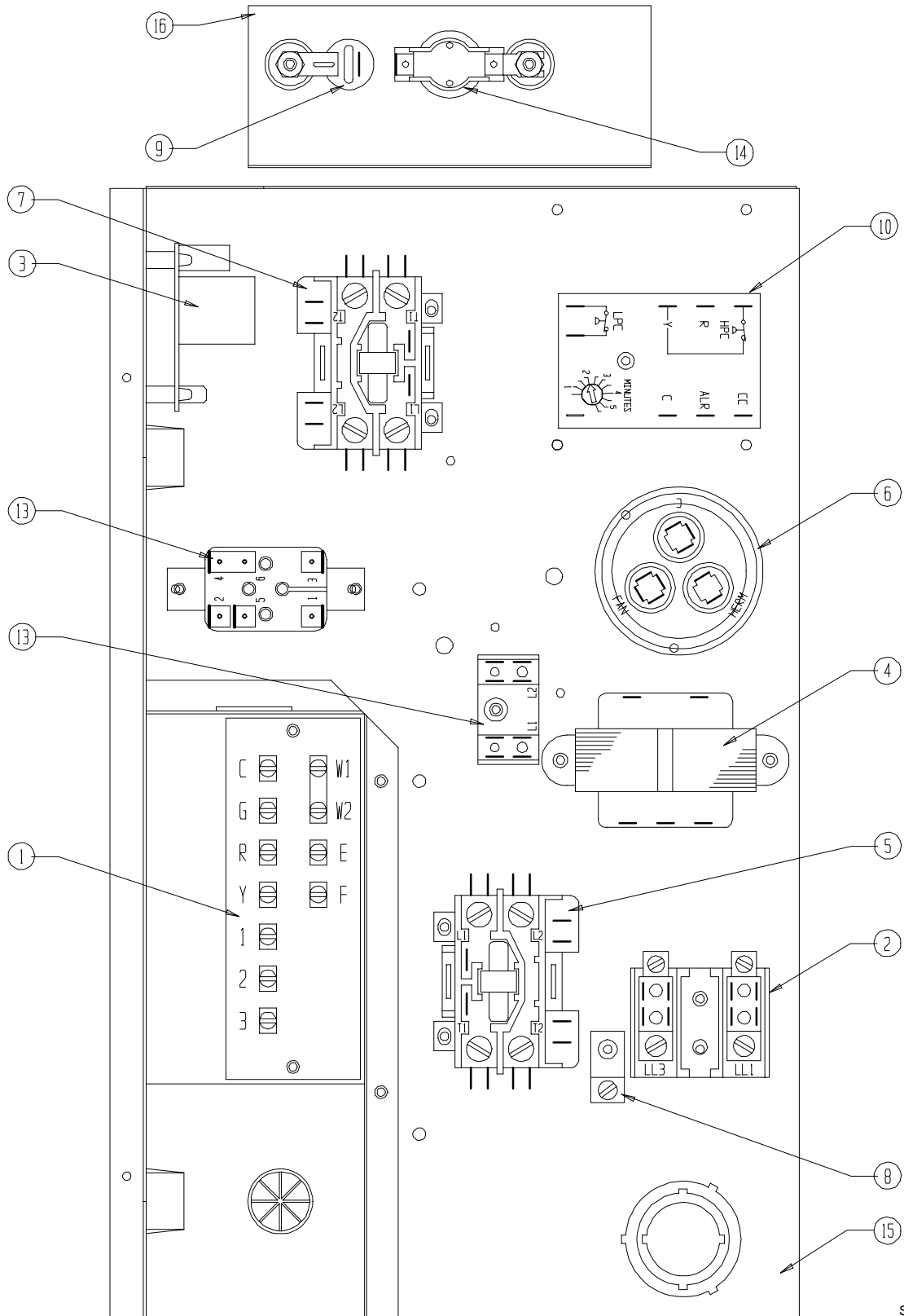
FUNCTIONAL COMPONENTS

Drawing No.	Part No.	Description	WE121-G
1	8000-237	Compressor	X
2	S900-200	Blower Assembly 240V	X
3	8200-041	Fan Motor Mount	X
4	5151-047	Fan Blade	X
5	8101-007	Condenser Motor 240V	X
6	5051-081	Condenser Coil	X
7	800-0221	Cooling Capillary Assembly	X
8	5060-074	Evaporator Coil	X
9	7003-021	Air Filter 1" Washable	X
9	7004-001	Air Filter 1" Throw-Away	X
9	7004-028	Air Filter 2" Pleated ①	X
10	5651-110	Drain Valve	X
11	5201-001	Liquid Line Filter Drier	X
NS	1804-0106	High Pressure Switch Service Kit (Flare) ①	X
NS	1804-0107	Low Pressure Switch Service Kit (Flare) ①	X
NS	CMA-25	Low Ambient Control Service Kit (Flare) ①	X
NS	8402-085	Compressor Over Load	X

NS – Not Shown

① – Optional on these models

CONTROL PANEL



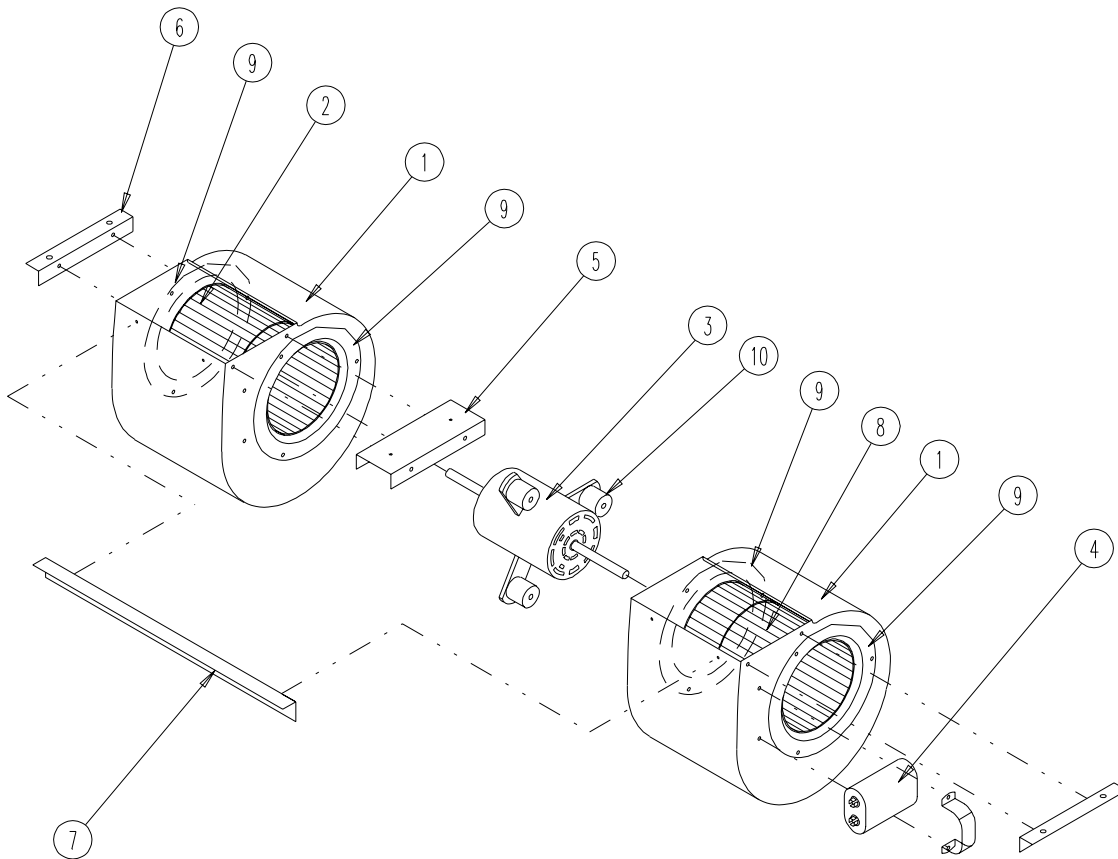
SEXP-195

CONTROL PANEL

Drawing No.	Part No.	Description	WE121-G00	WE121-G02	WE121-G03
1	8607-020	Low Voltage Terminal Strip	X	X	X
2	8607-013	Terminal Block 2 Pole	X	X	X
3	8201-056	Blower Control	X	X	X
4	8407-034	Transformer	X	X	X
5	8401-007	Compressor Contactor	X	X	X
6	8552-046	Compressor Capacitor	X	X	X
7	8401-007	Heat Contactor		X	X
8	8611-006	Ground Terminal	X	X	X
9	8402-093	Thermal Cut Off		X	X
10	8201-088	Compressor Control Module	X	X	X
14	8402-084	Limit		X	X
15	117-154	Control Panel	X	X	X
16	8604-097	Heat Strip 3.6 KW			X
16	8604-109	Heat Strip 2.0 KW		X	
NS	4095-114	Wiring Diagram		X	X
NS	4095-115	Wiring Diagram	X		

NS – Not Shown

BLOWER ASSEMBLY



SEXP-196

Drawing No.	Part No.	Description	900-200
1	151-114	Housing *	2
2	5152-085	Wheel (CCW) left	X
3	8101-009	Blower Motor (230/208)	X
4	8552-001	Capacitor 4MFD	X
5	141-203	Center Blower Support	X
6	105-908	Side Angle	2
7	105-902	Front Brace	X
8	5152-084	Wheel (CW) Right	X
9	144-180	Inlet Ring	4
11	5451-018	Mounting Grommet	3

* Note: Replace with new rings.