
REPLACEMENT PARTS MANUAL

WALL MOUNTED PACKAGE AIR CONDITIONER

MODEL: WE701

General Notes

- Revised and/or additional pages may be issued from time to time.
- A complete and current manual consists of pages shown in the following contents section.

Important

- Contact the installing and/or local Bard distributor for all parts requirements. Make sure you have the complete model and serial number available from the unit rating plates.

Contents

Description	Page
Cabinet Components	
♦ Exploded View	1
♦ Usage List	2
Functional Components	
♦ Exploded View	3
♦ Usage List	4
Control Panel	
♦ Exploded View	5
♦ Usage List	6
Blower Assembly	
♦ Exploded View	7
♦ Usage List	7



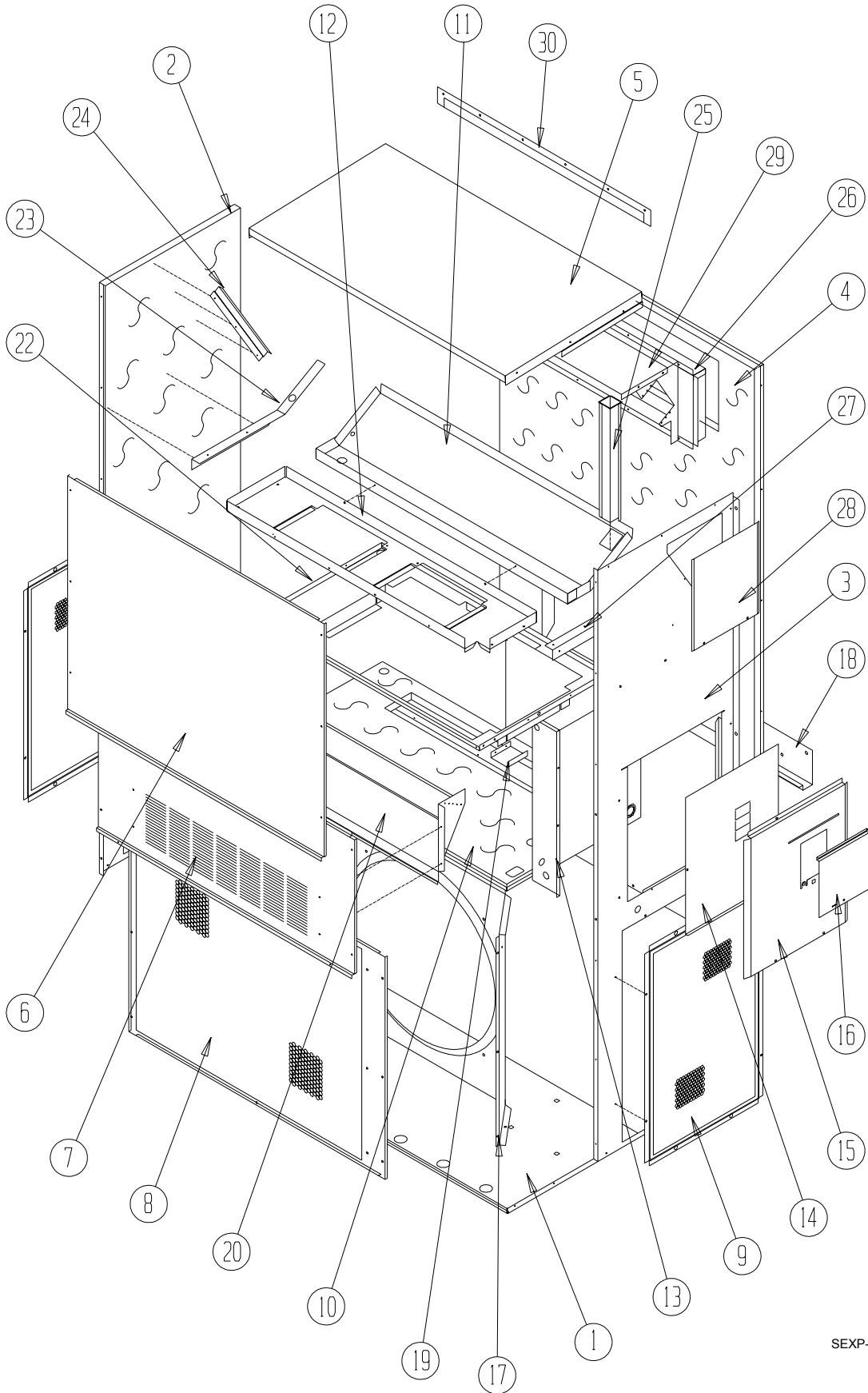
CLIMATE CONTROL SOLUTIONS

BARD MANUFACTURING COMPANY
Bryan, Ohio 43506

Since 1914...Moving ahead, just as planned.

Manual: 2110-451B
Supersedes: 2110-451A
File: 2150-004 Tab 16
Date: 07-15-04

CABINET COMPONENTS



SEXP-175

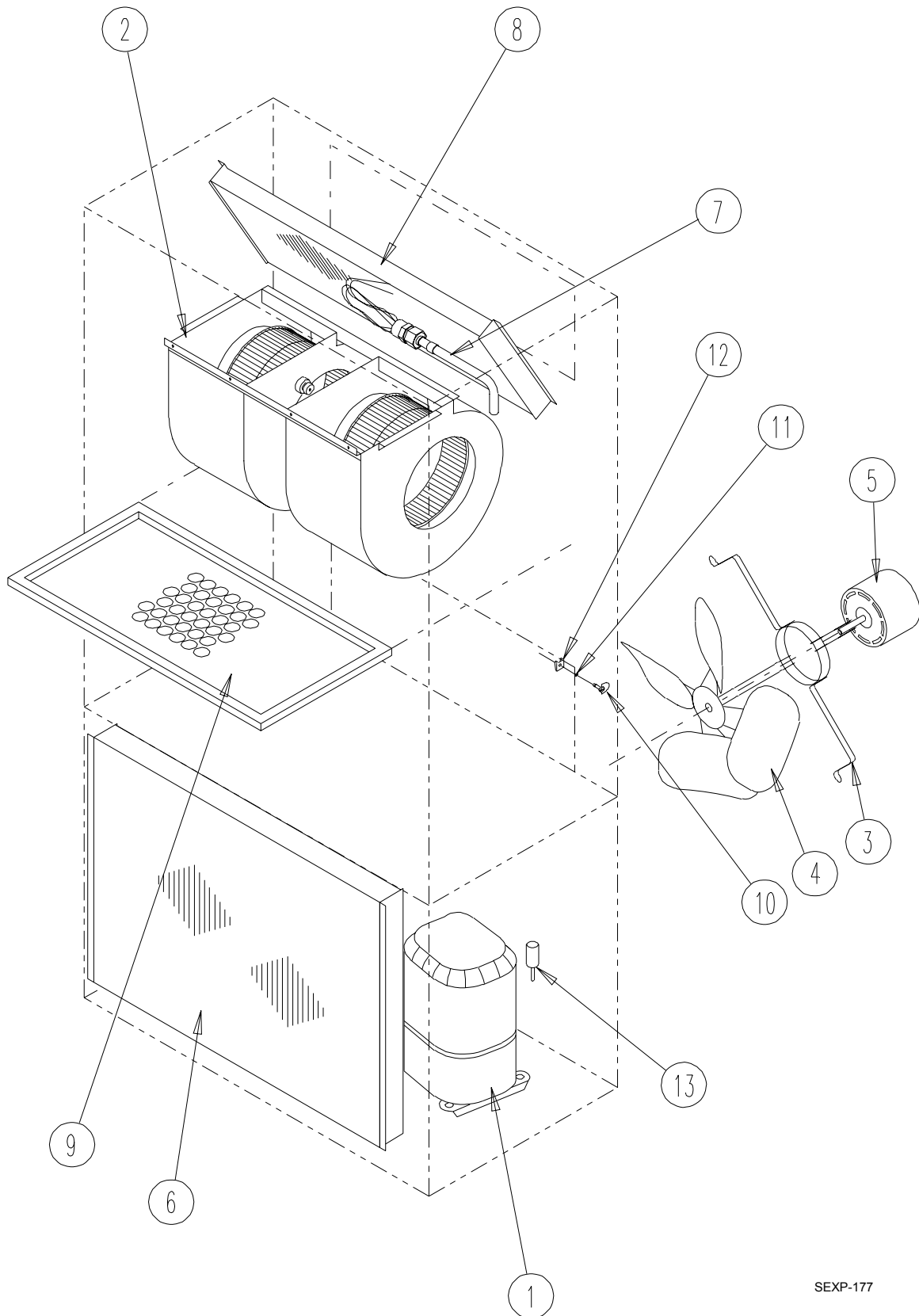
CABINET COMPONENTS

Drawing No.	Part No.	Description	WE701-F
1	S127X214	Lower Base	X
2	S500-316-* ①	Left Side	X
3	S500-315-* ①	Right Side	X
4	S508-129	Back	X
5	S506-142-* ①	Top	X
6	S514-077-* ①	Upper Front	X
7	S552-224-* ①	Service Door	X
8	118-052-* ①	Condenser Grille	X
9	118-058-* ①	Side Grille	2
10	S520X216	Condenser Partition	X
11	123-083	Drain Pan	X
12	121X216	Blower Partition	X
13	Control Panel Assembly	See Control Panel Assembly Drawing & Parts List	X
14	S133-115	Control Panel Cover (Inner)	X
15	S533-113-* ①	Control Panel Cover (Outer)	X
16	S153-218-* ①	Disconnect Access Door	X
17	125-029	Fan Shroud	X
18	113-140	Bottom Mounting Bracket	X
19	137-209	Fill	X
20	BFAD-5	Fresh Air Damper Assembly	X
22	131X099	Filter Tray	X
23	105X877	Left Side Support	X
24	147-046-* ①	Left Evaporator Support	X
25	135-128	Raceway	2
26	111X034	Outlet Air Frame Assembly	X
27	105X878	Right Side Support	X
28	S143-042-* ①	Right Side Cover Plate (Outer)	X
29	135X129	Heat Shield	X
30	113-150-* ①	Top Rain Flashing	X

① *NOTE: Exterior cabinet parts are manufactured with various paint color options. To insure*

that you receive the proper paint color, you must include the complete model and serial number of the unit for which cabinet parts are being ordered.

FUNCTIONAL COMPONENTS



SEXP-177

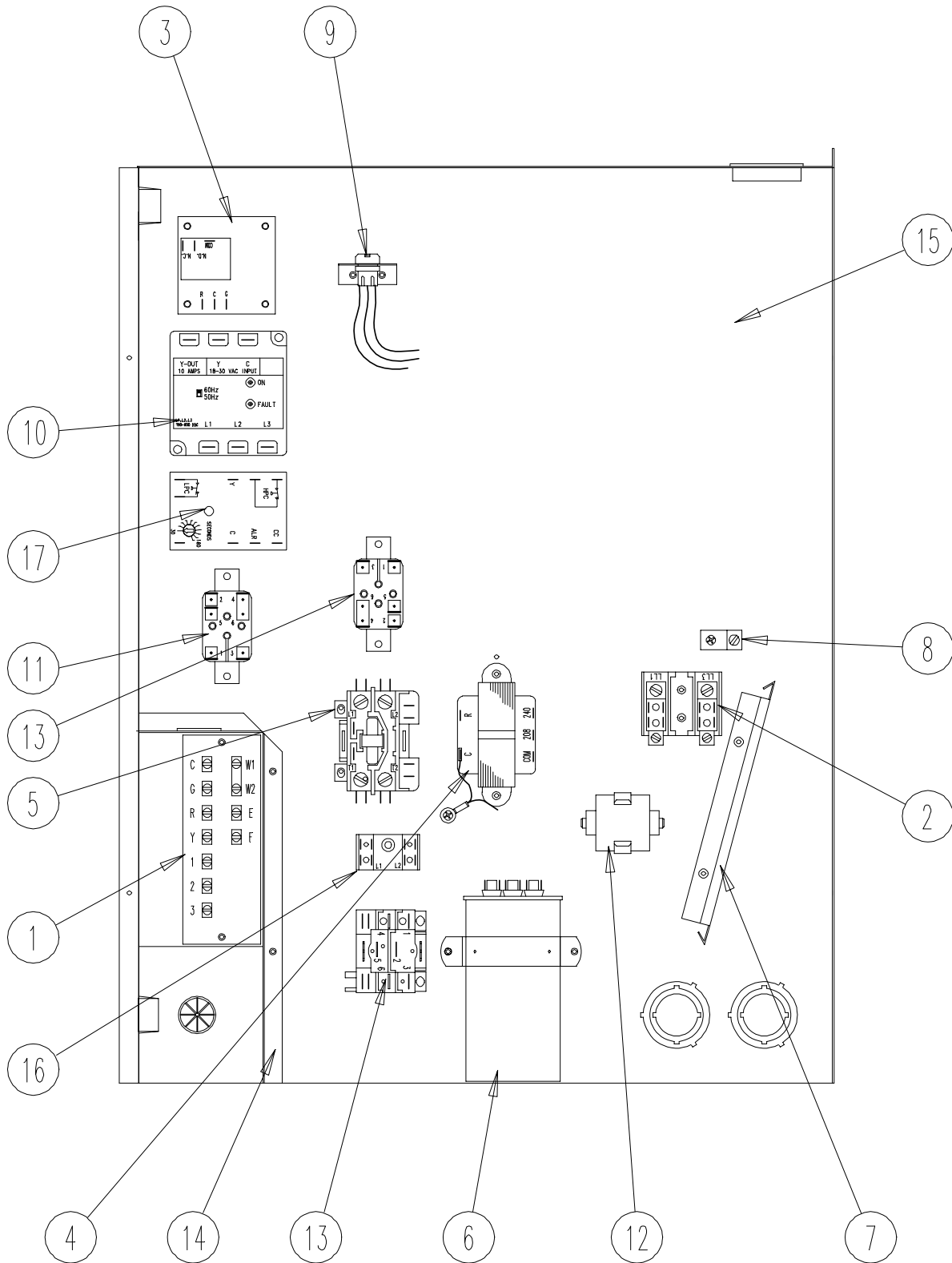
FUNCTIONAL COMPONENTS

Drawing No.	Part No.	Description	WE701-F
1	8000-247	Compressor	X
2	S900-185	Blower Assembly	X
3	8200-004	Fan Motor Mount	X
4	5151-027	Fan Blade	X
5	8105-039	Condenser Motor	X
6	5051-088	Condenser Coil	X
7	5651-131	Expansion Valve	X
8	5060-082	Evaporator Coil	X
9	7004-016	Air Filter 1" Throw-Away	X
9	7003-030	Air Filter 1" Washable	X
9	7004-027	Air Filter 2" Pleated	X
10	1171-022	1/4 Turn Fastener	X
11	1171-024	1/4 Turn Retainer	X
12	1171-023	1/4 Turn Receptacle	X
13	1804-0106	High Pressure Switch (Flare)	X
NS	1804-0107	Low Pressure Switch (Flare) ①	X
NS	CMA-6	Low Ambient Control (Flare) ①	X
NS	8605-012	Crankcase Heater 230V	X

NS = Not Shown

① = Optional

CONTROL PANEL



SEXP-180

CONTROL PANEL

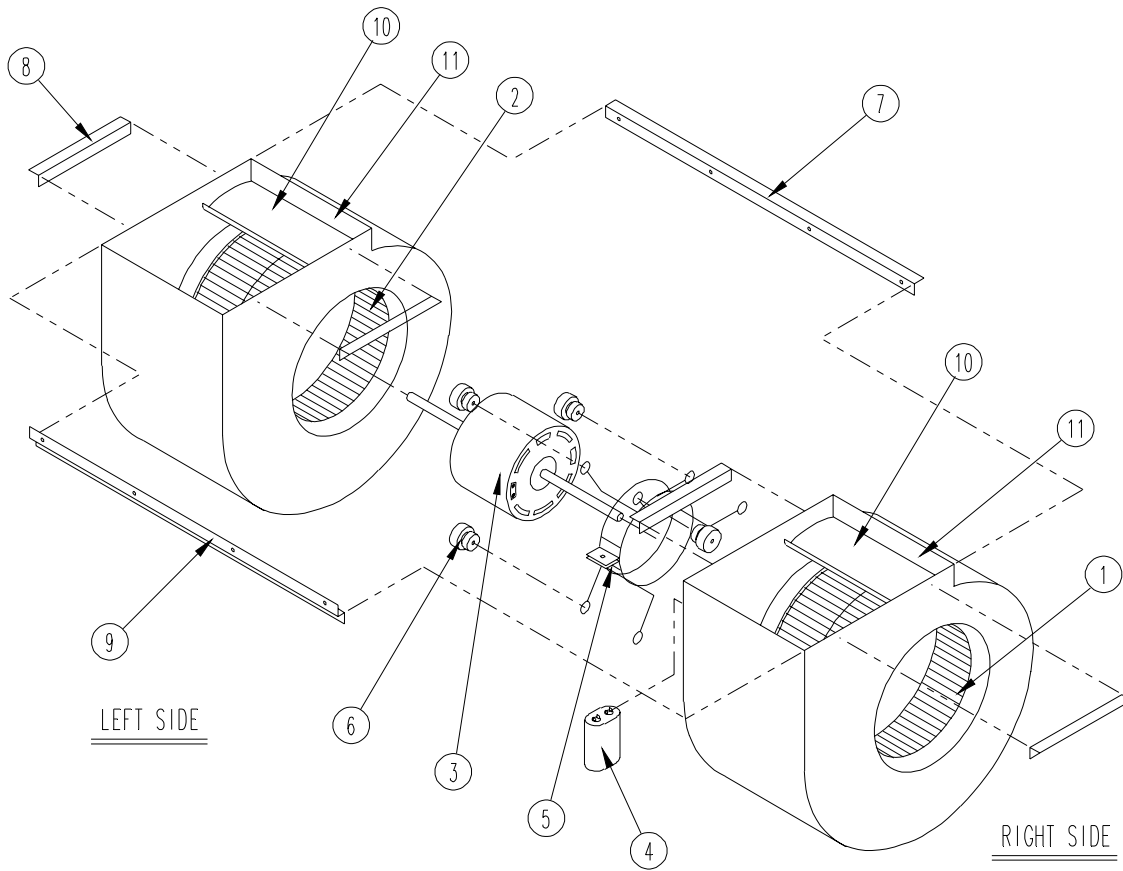
Drawing No.	Part No.	Description	WE701-F
1	8607-020	Low Voltage Terminal Strip	X
2	8607-013	Terminal Block 2 Pole	2
3	8201-056	Blower Control	X
4	8407-034	Transformer	X
5	8401-027	Compressor Contactor	X
6	8552-005	Outdoor Motor Capacitor	X
7	135-122	Wire Shield	X
8	8611-006	Ground Terminal	X
9	3000-978	6 Pin Connector	X
10	8201-085	Phase Monitor	X
11	8201-062	Alarm Relay (Optional)	X
14	117X139	Low Voltage Box	X
15	117X143	Control Panel	X
16	8607-017	Terminal Block (Optional)	X
17	8201-088	Compressor Control Module	X
NS	8615-053	Pull Disconnect	X
NS	4095-627	Wiring Diagram	X

NS = Not Shown

BLOWER ASSEMBLY

900-185

Drawing No.	Part No.	Description	
1	5152-011	10 Inch Wheel (CW)	X
2	5152-012	10 Inch Wheel (CCW)	X
3	8106-030	Blower Motor (230/208)	X
4	8552-005	Capacitor	X
5	8200-040	Motor Mount	X
6	5451-011	Grommets	6
7	105-880	Back Brace </td <td>X</td>	X
8	105-881	Side Angle	4
9	103-389	Front Brace	X
10	151-101	Housing	2
11	144-166	Diffuser	2



SEXP-178