

---

# REPLACEMENT PARTS MANUAL

# WALL MOUNTED PACKAGE AIR CONDITIONER

MODEL: WE702

---

## General Notes

- Revised and/or additional pages may be issued from time to time.
- A complete and current manual consists of pages shown in the following contents section.

## Important

- Contact the installing and/or local Bard distributor for all parts requirements. Make sure you have the complete model and serial number available from the unit rating plates.

## Contents

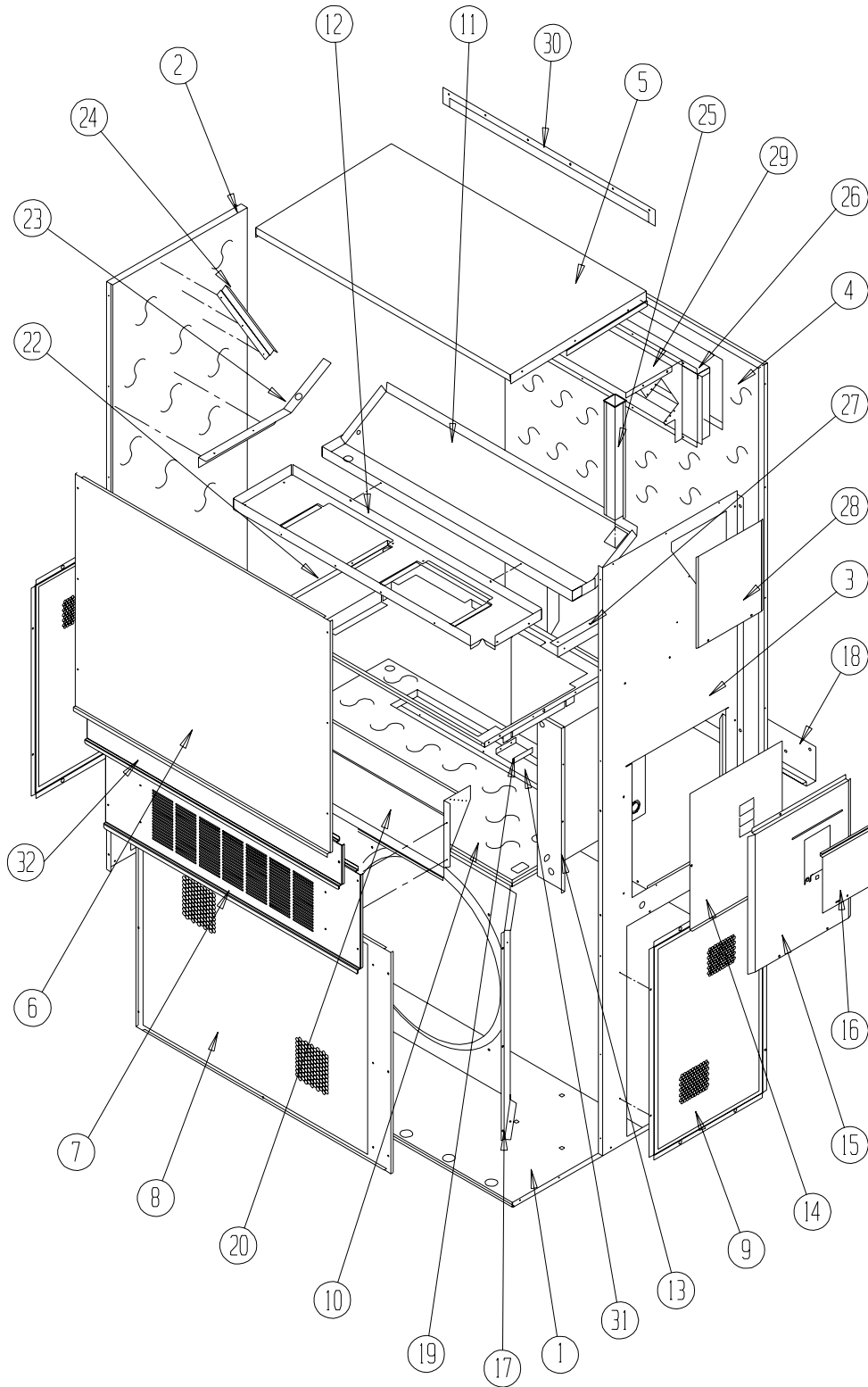
Description	Page
Cabinet Components	
♦ Exploded View .....	2
♦ Usage List .....	3
Functional Components	
♦ Exploded View .....	4
♦ Usage List .....	5
Control Panel	
♦ Exploded View .....	6
♦ Usage List .....	7
Blower Assembly	
♦ Exploded View .....	8
♦ Usage List .....	8



Bard Manufacturing Company, Inc.  
Bryan, Ohio 43506  
*Since 1914...Moving ahead, just as planned.*

Manual: 2110-451C  
Supersedes: 2110-451B  
File: 2150-004 Tab 16  
Date: 10-22-10

# CABINET COMPONENTS



SEXP-511

# CABINET COMPONENTS

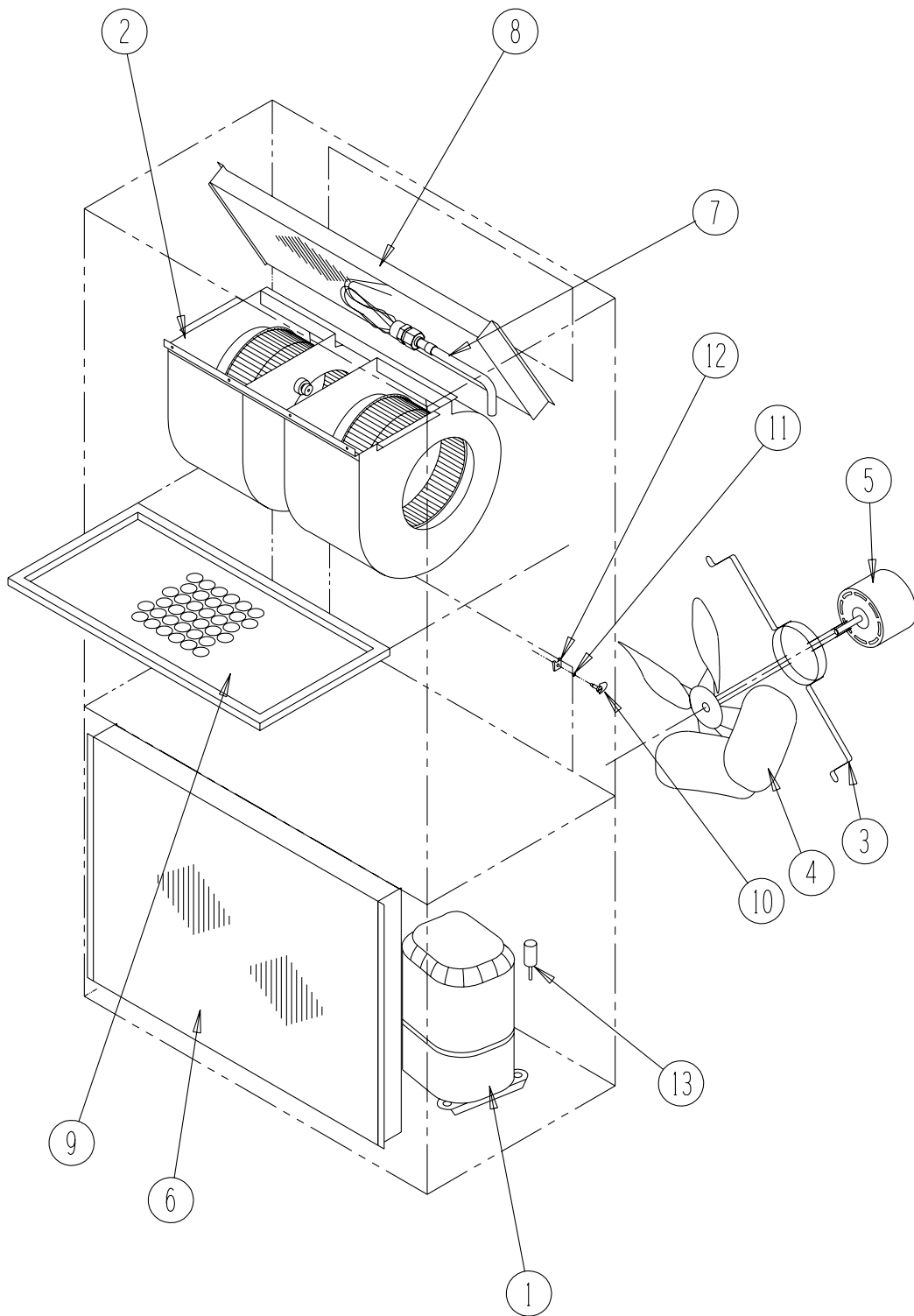
Dwg. No.	Part Number	Description	WE702-F
1	S127X214	Lower Base	X
1	S127X369 ③	Lower Base	X
2	S500-316-* ①	Left Side	X
2	S500-545 ②	Left Side	X
2	S500-543 ③	Left Side	X
3	S500-315-* ①	Right Side	X
3	S500-546 ②	Right Side	X
3	S500-544 ③	Right Side	X
4	S508-129	Back	X
4	S508-229 ②	Back	X
4	S508-228 ③	Back	X
5	S506-142-* ①	Top	X
5	S506-251 ②	Top	X
5	S506-274 ③	Top	X
6	S515-144-* ①	Upper Front	X
6	S514-142 ②	Upper Front	X
6	S514-162 ③	Upper Front	X
7	S552-383-* ①	Vent Option Door	X
7	S553-408-* ①	Vent Option Door with ERV	X
7	S552-456 ②	Vent Option Door	X
7	S553-449 ③	Vent Option Door	X
8	118-052-* ①	Condenser Grille	X
8	118-080 ②	Condenser Grille	X
8	118-078 ③	Condenser Grille	X
9	118-058-* ①	Side Grille	2
9	118-081 ②	Side Grille	2
9	118-079 ③	Side Grille	2
10	S521X258	Condenser Partition	X
11	S123-122	Drain Pan	X
12	121X216	Blower Partition	X
13	Control Panel Assy.	See Control Panel Assy. Dwg. & Parts List	X
14	S132-171	Control Panel Cover (Inner)	X
15	S533-113-* ①	Control Panel Cover (Outer)	X
15	S533-185 ②	Control Panel Cover (Outer)	X
15	S533X195 ③	Control Panel Cover (Outer)	X
16	S153-218-* ①	Disconnect Access Door	X
16	S153-387 ②	Disconnect Access Door	X
16	S153-405 ③	Disconnect Access Door	X
17	125-029	Fan Shroud	X
17	125-059 ③	Fan Shroud	X
18	113-140	Bottom Mounting Bracket	X
19	137-209	Fill	X
20	BFAD-5	Fresh Air Damper Assembly	X
22	131X099	Filter Tray	X
23	105X877	Left Side Support	X
24	147-046	Left Evaporator Support	X
25	135-128	Raceway	X
26	S111X034	Outlet Air Frame Assembly	X
27	105X878	Right Side Support	X
28	S143-042-* ①	Right Side Cover Plate (Outer)	X
28	S143-105 ②	Right Side Cover Plate (Outer)	X
28	S143-125 ③	Right Side Cover Plate (Outer)	X
29	135-129	Heat Shield	X
30	113-150-* ①	Top Rain Flashing	X
30	113-359 ③	Top Rain Flashing	X
31	S536-258	Cond. Partition Block Off Plate	X
32	S553-384-* ①	Filter Door Assembly	X
32	S552-457 ②	Filter Door Assembly	X
32	S553-450 ③	Filter Door Assembly	X

① Exterior cabinet parts are manufactured with various paint color options. To insure that you receive the proper paint color, you must include the complete model and serial number of the unit for which cabinet parts are being ordered.

② Note: Exterior cabinet parts are manufactured from aluminum Code "A"

③ Note: Exterior cabinet parts are manufactured from stainless steel Code "S"

# FUNCTIONAL COMPONENTS



SEXP-177

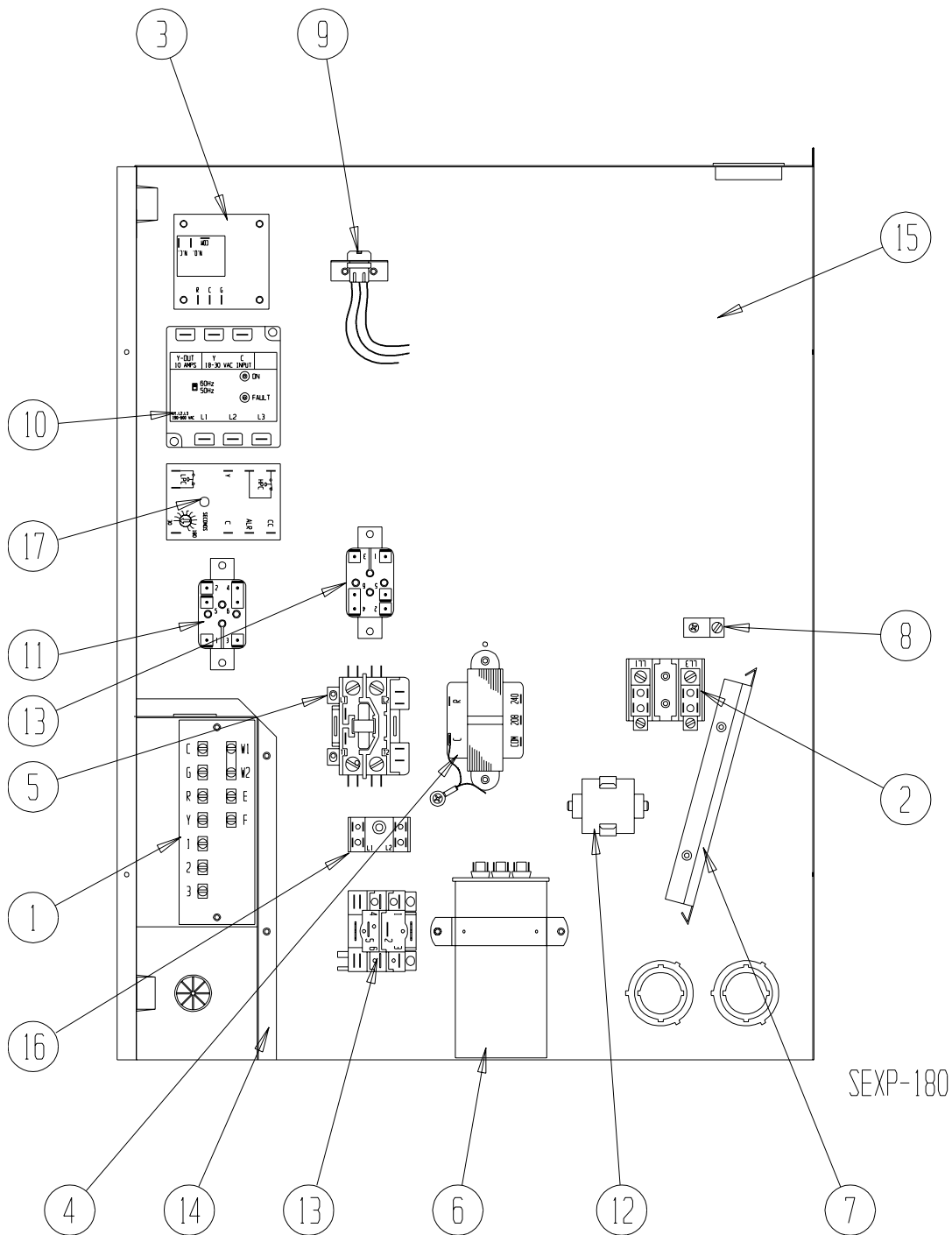
## FUNCTIONAL COMPONENTS

Drawing No.	Part No.	Description	WE702-F
1	8000-247	Compressor	X
2	S900-185	Blower Assembly	X
3	8200-004	Fan Motor Mount	X
4	5151-027	Fan Blade	X
5	8105-039	Condenser Motor	X
6	5051-088	Condenser Coil	X
7	5651-131	Expansion Valve	X
8	5060-082	Evaporator Coil	X
9	7004-016	Air Filter 1" Throw-Away	X
9	7003-030	Air Filter 1" Washable	X
9	7004-027	Air Filter 2" Pleated	X
10	1171-022	1/4 Turn Fastener	X
11	1171-024	1/4 Turn Retainer	X
12	1171-023	1/4 Turn Receptacle	X
13	1804-0106	High Pressure Switch (Flare) ①	X
NS	1804-0107	Low Pressure Switch (Flare) ①	X
NS	CMA-6	Low Ambient Control (Flare) ①	X
NS	8605-012	Crankcase Heater 230V	X

NS = Not Shown

① = Optional

# CONTROL PANEL

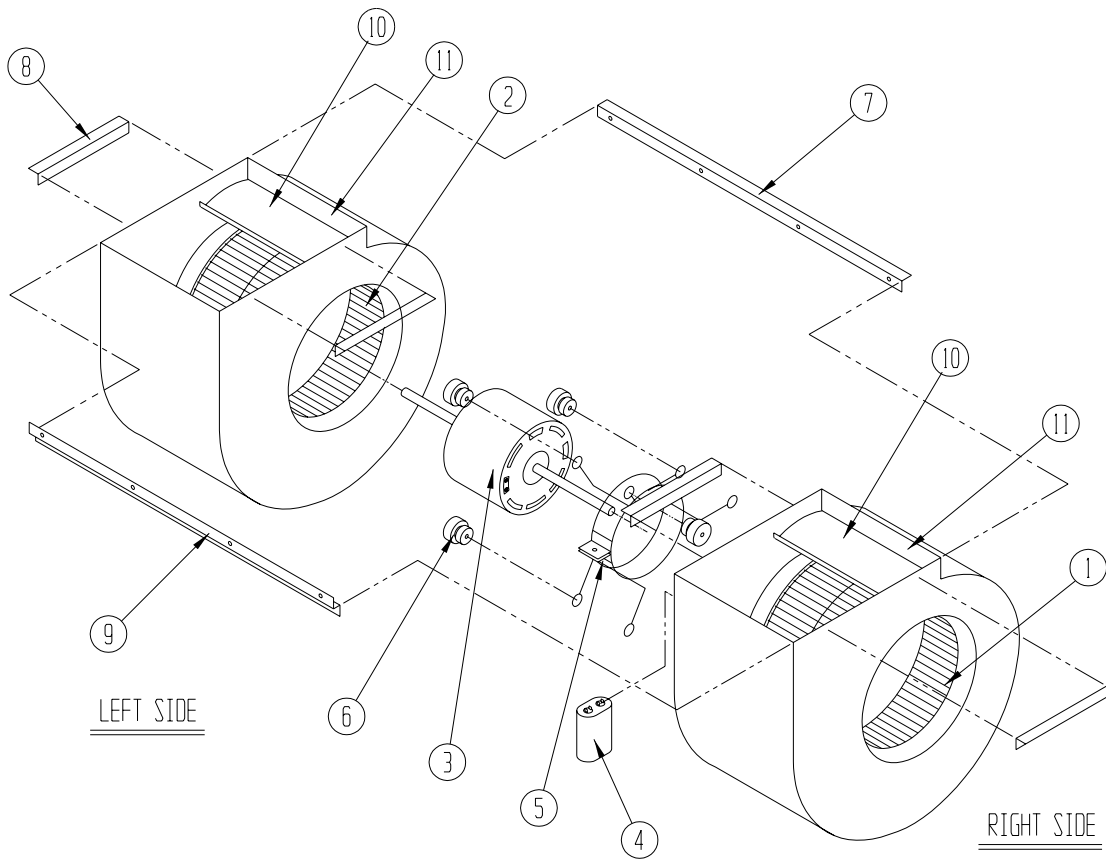


# CONTROL PANEL

Drawing No.	Part No.	Description	WE702-F
1	8607-020	Low Voltage Terminal Strip	X
2	8607-013	Terminal Block 2 Pole	2
3	8201-056	Blower Control	X
4	8407-034	Transformer	X
5	8401-027	Compressor Contactor	X
6	8552-005	Outdoor Motor Capacitor	X
7	135-122	Wire Shield	X
8	8611-006	Ground Terminal	X
9	3000-978	6 Pin Connector	X
10	8201-085	Phase Monitor	X
11	8201-062	Alarm Relay (Optional)	X
14	117X139	Low Voltage Box	X
15	117X143	Control Panel	X
16	8607-017	Terminal Block (Optional)	X
17	8201-088	Compressor Control Module	X
NS	8615-053	Pull Disconnect	X
NS	4095-627	Wiring Diagram	X

NS = Not Shown

# BLOWER ASSEMBLY



SEXP-178

Drawing No.	Part No.	Description	900-185
1	5152-011	10 Inch Wheel (CW)	X
2	5152-012	10 Inch Wheel (CCW)	X
3	8106-030	Blower Motor (230/208)	X
4	8552-005	Capacitor	X
5	8200-040	Motor Mount	X
6	5451-011	Grommets	6
7	105-880	Back Brace	X
8	105-881	Side Angle	4
9	103-389	Front Brace	X
10	151-101	Housing	2
11	144-166	Diffuser	2