
REPLACEMENT PARTS MANUAL

WALL MOUNTED PACKAGE AIR CONDITIONER

MODELS: WL484H
WL602H

General Notes

- Revised and/or additional pages may be issued from time to time.
- A complete and current manual consists of pages shown in the following contents section.

Important

- Contact the installing and/or local Bard distributor for all parts requirements. Make sure you have the complete model and serial number available from the unit rating plates.

Contents

Description	Page
Cabinet Components	
♦ Exploded View	2
♦ Usage List	3
Functional Components	
♦ Exploded View	4
♦ Usage List	5
Control Panel	
♦ Exploded View	6
♦ Usage List	7
Blower Assembly	
♦ Exploded View	8
♦ Usage List	8

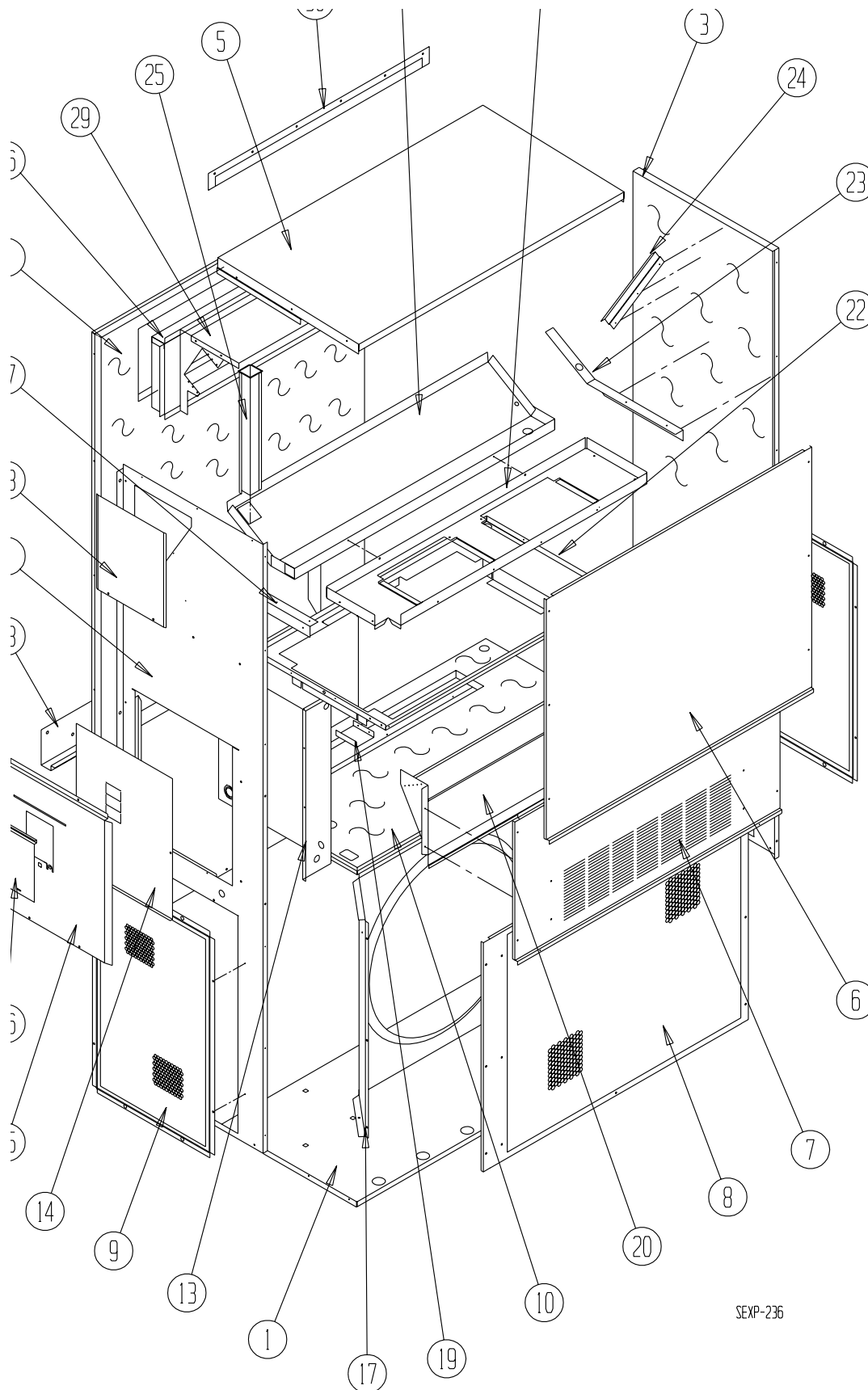


Climate Control Solutions

Bard Manufacturing Company, Inc.
Bryan, Ohio 43506
Since 1914...Moving ahead, just as planned.

Manual: 2110-459B
Supersedes: 2110-459A
File: Tab 16
Date: 11-11-05

CABINET COMPONENTS



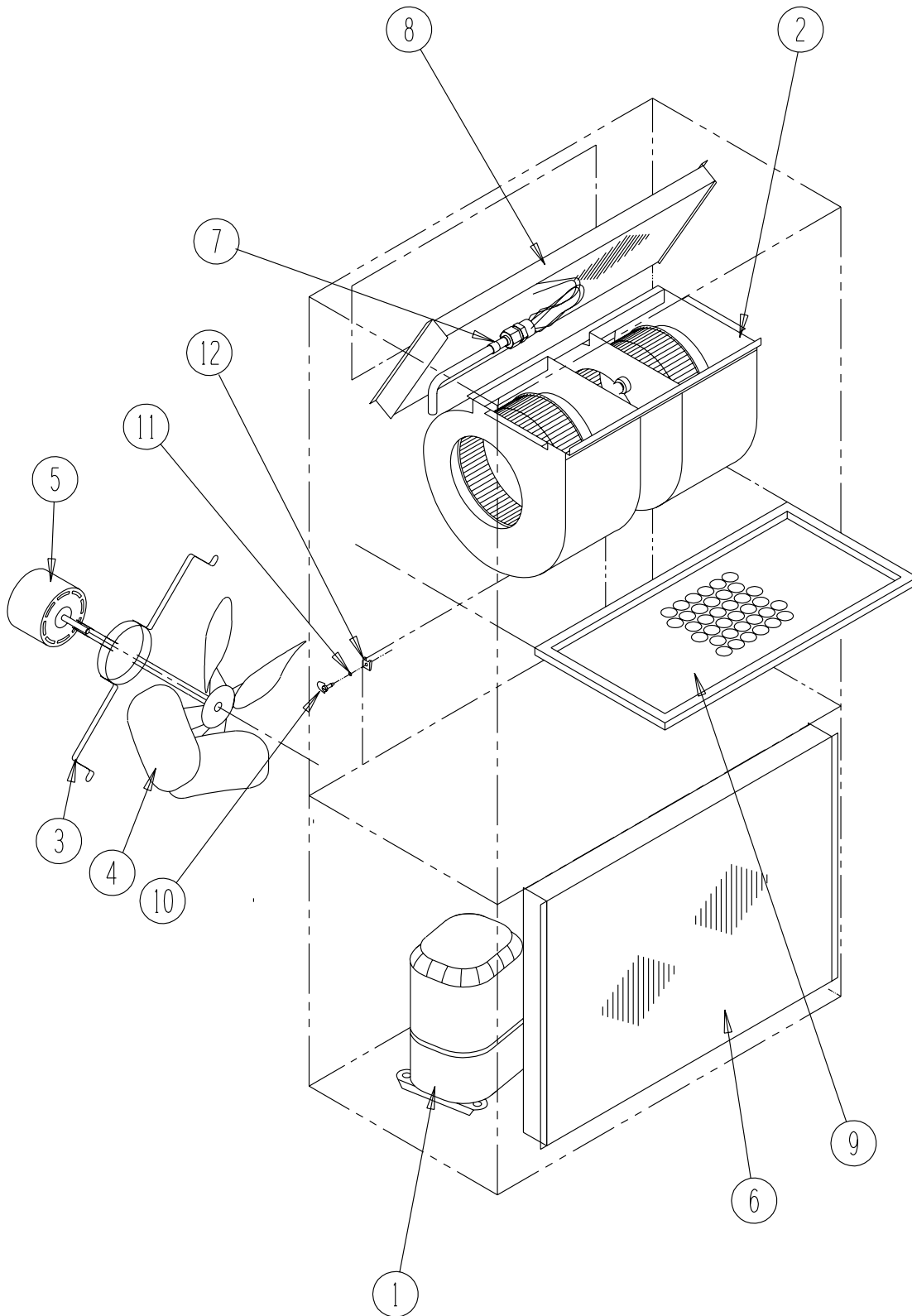
SEXP-236

CABINET COMPONENTS

Drawing No.	Part No.	Description	WL484HA, B	WL484HC, F	WL602HA, B	WL602HC, F
1	S127Y214	Lower Base	X	X	X	X
2	S500-319-* ①	Right Side	X	X	X	X
3	S500-320-* ①	Left Side	X	X	X	X
4	S508-098	Back	X	X	X	X
5	S506-142-* ①	Top	X	X	X	X
6	S514-077-* ①	Upper Front	X	X	X	X
7	S552-224-* ①	Service Door	X	X	X	X
8	118-049-* ①	Condenser Grille	X	X	X	X
9	118-057-* ①	Side Grille	2	2	2	2
10	S520Y258	Condenser Partition	X	X	X	X
11	123-083	Drain Pan	X	X	X	X
12	121Y216	Blower Partition	X	X	X	X
13	Control Panel Assy.	See Control Panel Assembly Drawing & Parts List	X	X	X	X
14	S133-114	Control Panel Cover (Inner)	X		X	
14	S133-171	Control Panel Cover (Inner)		X		X
15	S533-140-* ①	Control Panel Cover (Outer)	X	X	X	X
16	S153-218-* ①	Disconnect Access Door	X	X	X	X
17	125-024	Fan Shroud	X	X	X	X
18	113-140	Bottom Mounting Bracket	X	X	X	X
19	137-209	Fill	X	X	X	X
20	BFAD-5	Fresh Air Damper Assembly	X	X	X	X
22	131Y099	Filter Tray	X	X	X	X
23	105Y877	Left Side Support	X	X	X	X
24	147-046	Left Evaporator Support	X	X	X	X
25	135-128	Raceway	X	X	X	X
26	111Y034	Oulet Airframe Assembly	X	X	X	X
27	105Y878	Right Side Support	X	X	X	X
28	S143-042-* ①	Right Side Cover Plate (Outer)	X	X	X	X
29	135-129	Heat Shield	X	X	X	X
30	113-150-* ①	Top Rain Flashing	X	X	X	X

① **NOTE:** Exterior cabinet parts are manufactured with various paint color options. To insure that you receive the proper paint color, you must include the complete model and serial number of the unit for which cabinet parts are being ordered.

FUNCTIONAL COMPONENTS



SEXP-237

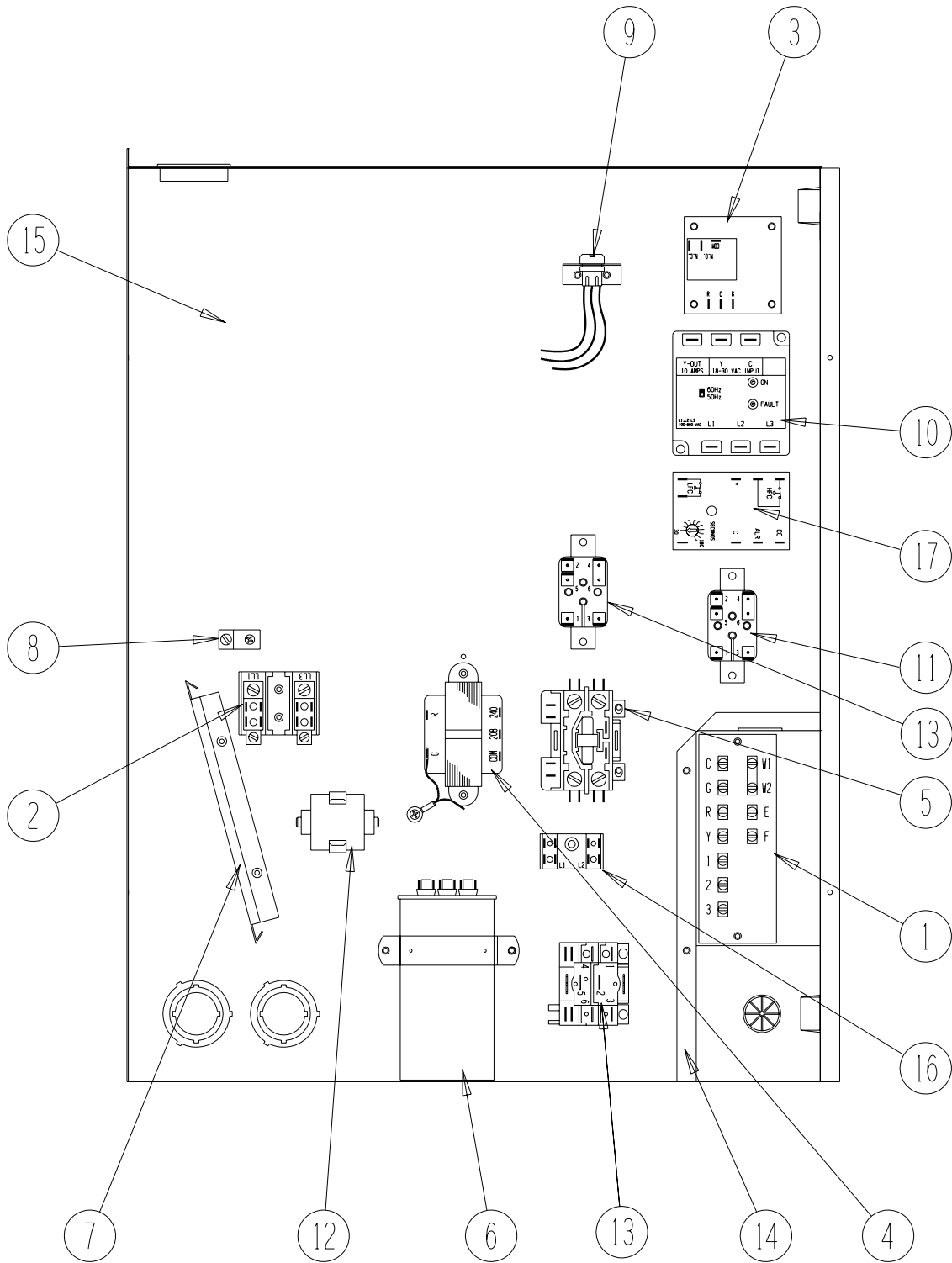
FUNCTIONAL COMPONENTS

Drawing No.	Part No.	Description	WL484HA	WL484HB	WL484HC	WL602HA	WL602HB	WL602HC	WL484HF	WL602HF
1	8000-153	Compressor				X				
1	8000-154	Compressor					X			
1	8000-155	Compressor						X		X
1	8000-236	Compressor	X							
1	8000-221	Compressor		X						
1	8000-222	Compressor			X				X	
2	S900-183	Blower Assembly	X	X					X	
2	S900-184	Blower Assembly			X					
2	S900-185	Blower Assembly				X	X			X
2	S900-186	Blower Assembly						X		
3	8200-004	Fan Motor Mount	X	X	X	X	X	X	X	X
4	5151-027	Fan Blade	X	X	X	X	X	X	X	X
5	8105-030	Condenser Motor			X			X		
5	8105-039	Condenser Motor	X	X		X	X		X	X
6	5051-093	Condenser Coil	X	X	X	X	X	X		
7	5651-101	Expansion Valve	X	X	X				X	
7	5651-082	Expansion Valve				X	X	X		X
8	5060-070	Evaporator Coil	X	X	X				X	
8	5060-071	Evaporator Coil				X	X	X		X
9	7004-016	Air Filter 1" Throw-Away	X	X	X	X	X	X	X	X
9	7003-030	Air Filter 1" Washable ①	X	X	X	X	X	X	X	X
9	7004-027	Air Filter 2" Pleated ①	X	X	X	X	X	X	X	X
10	1171-022	1/4 Turn Fastener	X	X	X	X	X	X	X	X
11	1171-024	1/4 Turn Retainer	X	X	X	X	X	X	X	X
12	1171-023	1/4 Receptacle	X	X	X	X	X	X	X	X
14	5651-015	Head Pressure Control Valve	X	X	X	X	X	X	X	X
15	5651-016	Pressure Differential Valve	X	X	X	X	X	X	X	X
16	5651-051	Shut-Off Valve	X	X	X	X	X	X	X	X
17	5651-096	Hot Gas Bypass Valve	X	X	X	X	X	X	X	X
18	5201-002	Filter Dryer	X	X	X	X	X	X	X	X
19	5201-014	Sight Glass	X	X	X	X	X	X	X	X
20	5202-018	Accumulator	X	X	X	X	X	X	X	X
21	5203-006	Receiver	X	X	X	X	X	X	X	X
22	5651-109	Distributor	X	X	X	X			X	
22	5651-108	Distributor					X	X		X
23	8605-012	Crankcase Heater	X	X		X	X		X	X
23	8605-013	Crankcase Heater			X			X		
NS	1804-0106	High Pressure Switch	X	X	X	X	X	X	X	X
NS	1804-0107	Low Pressure Switch	X	X	X	X	X	X	X	X

NS = Not Shown

① Optional

CONTROL PANEL



SFXP-335

CONTROL PANEL

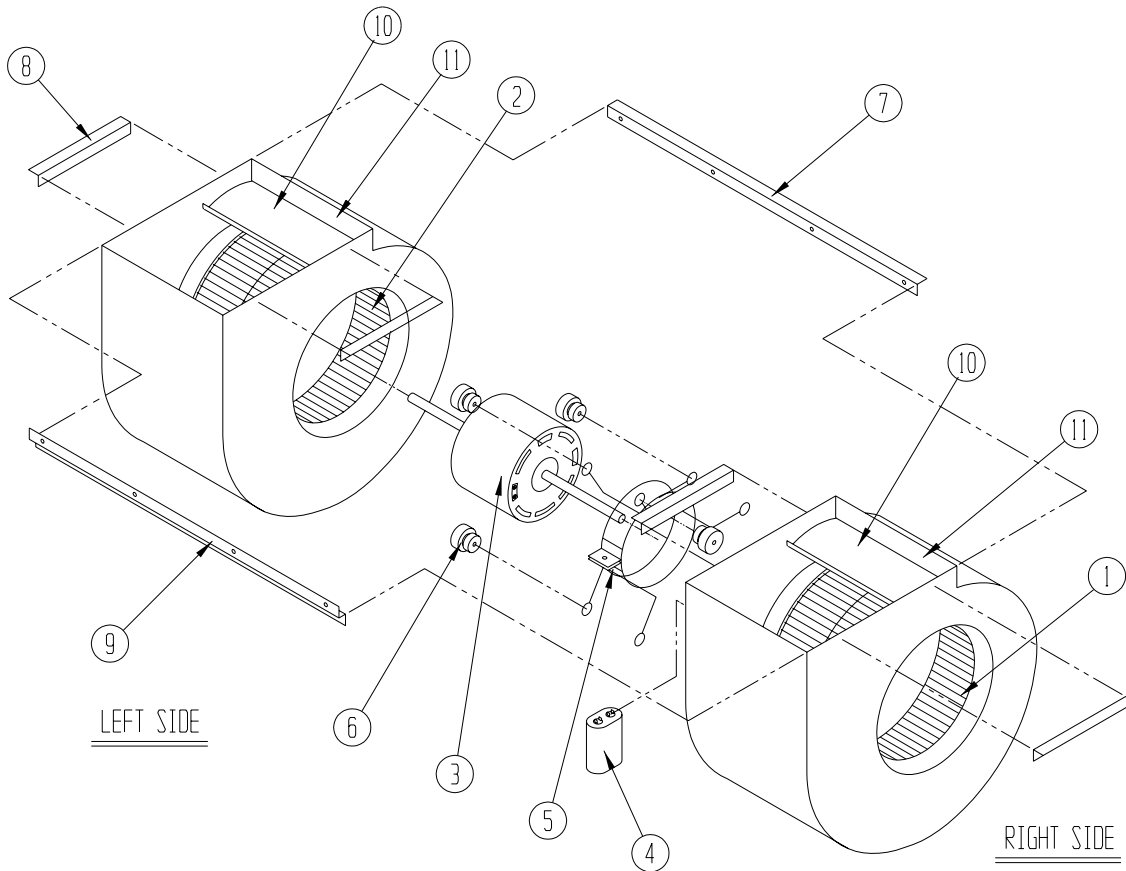
Drawing No.	Part No.	Description	WL484HA	WL484HB	WL484HC	WL602HA	WL602HB	WL602HC	WL484HF	WL602HF
1	8607-020	Low Voltage Terminal Strip	X	X	X	X	X	X	X	X
2	8607-013	Terminal Block 2 Pole	X			X			2	2
2	8607-014	Terminal Block 3 Pole		X	X		X	X		
2	8607-015	Phenolic Insulator			X			X		
3	8201-056	Blower Control	X	X		X	X		X	X
3	8201-032	Blower Relay			X			X		
4	8407-034	Transformer	X	X		X	X		X	X
4	8407-042	Transformer			X			X		
5	8401-002	Compressor Contactor		X	X		X	X	X	X
5	8401-025	Compressor Contactor	X			X				
6	8552-005	Outdoor Motor Capacitor		X			X		X	X
6	8552-026	Outdoor Motor Capacitor			X			X		
6	8552-058	Compressor Capacitor				X				
6	8552-072	Compressor Capacitor	X							
7	135-130	Wire Shield	X	X	X	X	X	X	X	X
8	8611-006	Ground Terminal	X	X	X	X	X	X	X	X
9	3000-978	6 Pin Connector	X	X	X	X	X	X	X	X
10	8201-085	Phase Monitor		X	X		X	X	X	X
11	8201-062	Alarm Relay A	X	X	X	X	X	X	X	X
12	8552-003	Start Kit	X			X				
13	8201-009	Crankcase Heat Relay	X	X		X	X		X	X
13	8201-032	Crankcase Heat Relay			X			X		
14	117Y139	Low Voltage Box	X	X	X	X	X	X	X	X
15	117Y143	Control Panel	X	X	X	X	X	X	X	X
17	8201-088	Compressor Control Module	X	X	X	X	X	X	X	X
NS	4095-129	Wiring Diagram	X			X				
NS	4095-231	Wiring Diagram		X			X			
NS	4095-320	Wiring Diagram			X			X		
NS	4095-624	Wiring Diagram							X	X

NS = Not Shown

Ⓢ = Optional

BLOWER ASSEMBLY

Drawing			900-183	900-184	900-185	900-186
No.	Part No.	Description				
1	5152-011	10 Inch Wheel (CW)			X	X
1	5152-057	9 Inch Wheel (CW)	X	X		
2	5152-012	10 Inch Wheel (CCW)			X	X
2	5152-058	9 Inch Wheel (CCW)	X	X		
3	8106-030	Blower Motor (230/208)	X		X	
3	8106-025	Blower Motor (460)		X		X
4	8552-005	Capacitor	X	X	X	X
5	8200-040	Motor Mount	X	X	X	X
6	5451-011	Grommets	6	6	6	6
7	105-881	Back Brace	X	X	X	X
8	105-880	Side Angle	4	4	4	4
9	103-389	Front Brace	X	X	X	X
10	151-101	Housing	2	2	2	2
11	144-166	Diffuser	2	2	2	2



SEXP-178