

---

# Replacement Parts Manual

# Wall Mounted Package Air Conditioner

Model: **WL372T**

---

## General Notes

- Revised and/or additional pages may be issued from time to time.
- A complete and current manual consists of pages shown in the following contents section.

## Important

- Contact the installing and/or local Bard distributor for all parts requirements. Make sure you have the complete model and serial number available from the unit rating plate.

## Contents

Description	Page
Cabinet Components	
♦ Exploded View .....	1
♦ Usage List .....	2
Functional Components	
♦ Exploded View .....	3
♦ Usage List .....	4
Control Panel	
♦ Layout View .....	5
♦ Usage List .....	6
Blower Housing	
♦ Exploded View .....	7
♦ Usage List .....	7



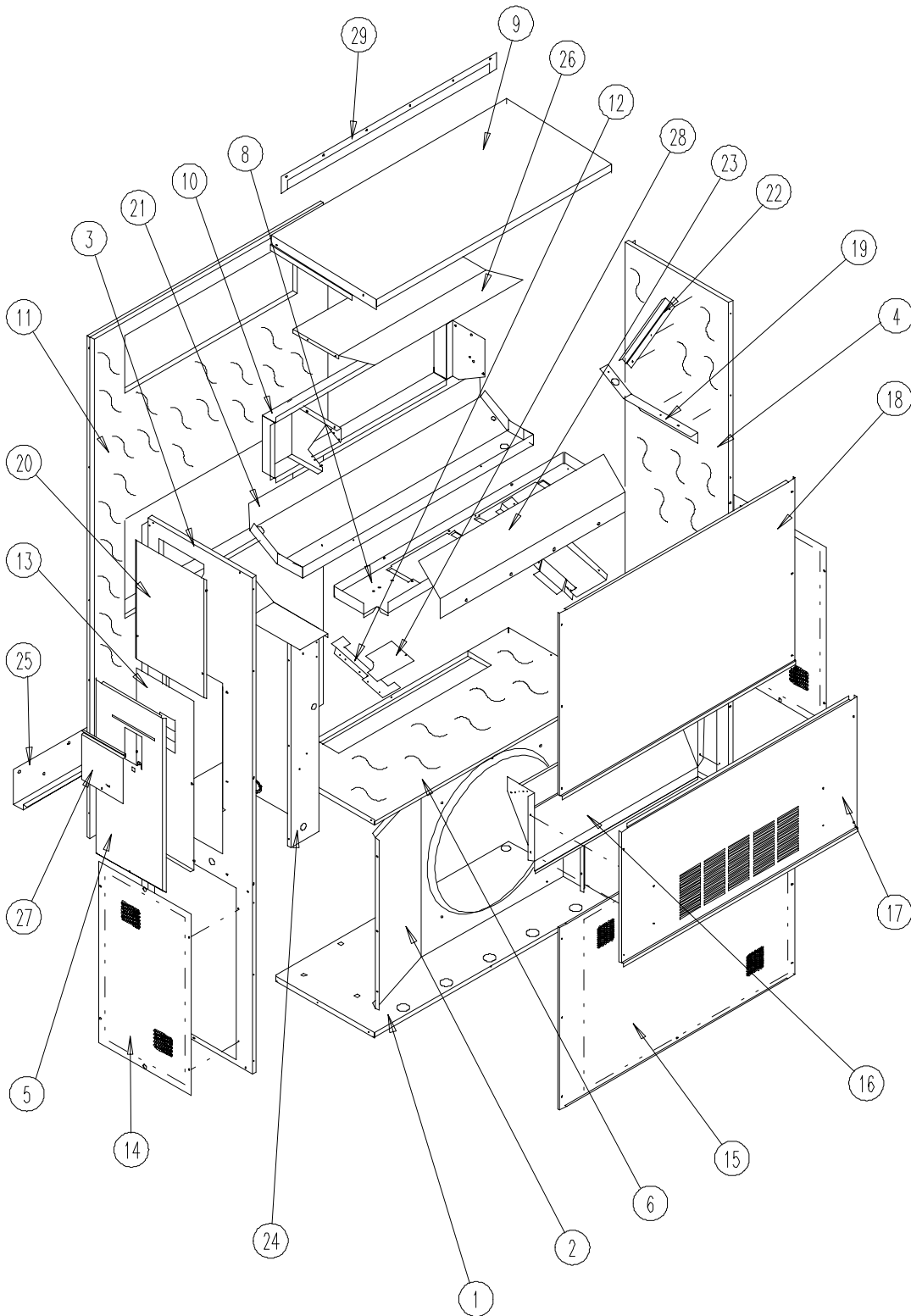
CLIMATE CONTROL SOLUTIONS

BARD MANUFACTURING COMPANY  
Bryan, Ohio 43506

*Since 1914...Moving ahead, just as planned.*

Manual: 2110-465  
Supersedes:  
File: Tab 16  
Date: 04-01-02

# CABINET COMPONENTS

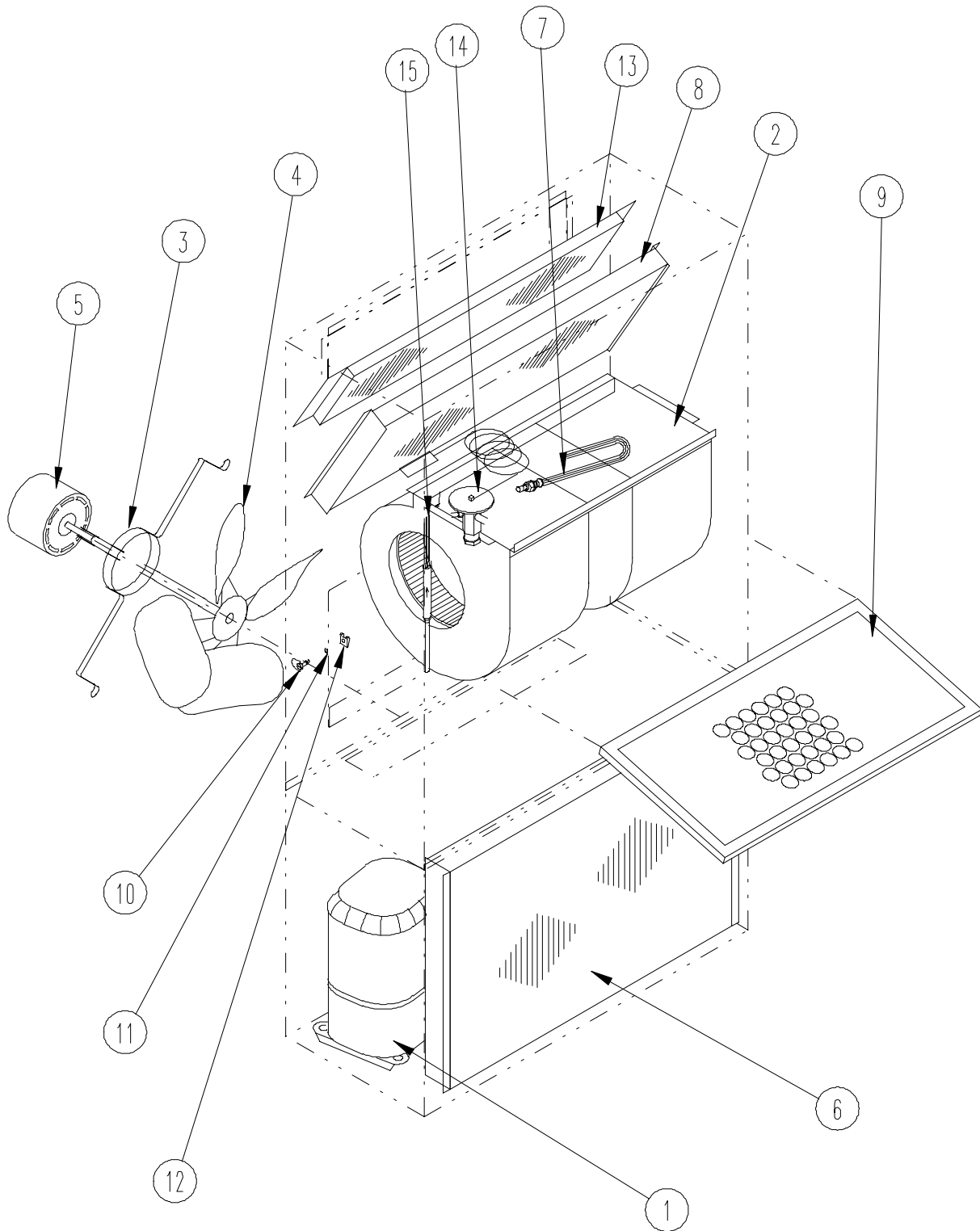


## CABINET COMPONENTS

Drawing No.	Part No.	Description	WL372TB	WL372TF
1	S127-199	Lower Base	X	X
2	125-022	Fan Shroud	X	X
3	S500-317-* (1)	Right Side	X	X
4	S500-318-* (1)	Left Side	X	X
5	S533-136-* (1)	Control Panel Cover (outer)	X	X
6	S521Y181	Condenser Partition	X	X
8	121Y182	Blower Partition	X	X
9	S506-130-* (1)	Top	X	X
10	S111Y030	Outlet Airframe Assembly	X	X
11	S508-088	Back	X	X
12	113Y195	Filter Bracket	2	2
13	S132-104	Control Panel Cover (inner)	X	
13	S132-172	Control Panel Cover (inner)		X
14	118-028-* (1)	Side Grille	2	2
15	118-029-* (1)	Condenser Grille	X	X
16	962014	Fresh Air Damper Assembly	X	X
17	S552-206-* (1)	Service Door	X	X
18	S514-072-* (1)	Upper Front	X	X
19	105Y850	Left Side Support	X	X
20	S143-034-* (1)	Side Cover Plate (outer)	X	X
21	S123-090	Drain Pan	X	X
22	147-044-* (1)	Right Evaporator Support	X	X
23	135-124	Air Baffle	X	X
24	Control Panel Assembly	(See Control Panel Assembly Drawing and Parts List)	X	X
25	113-140	Bottom Mounting Bracket	1	1
26	135Y123	Heat Shield	X	X
27	S153-218-* (1)	Disconnect Access Door	X	X
28	137-259	Fill Plate	X	X
29	113-149-* (1)	Top Rain Flashing	X	X

- (1) Exterior cabinet parts are manufactured with various color options. To insure that you receive the proper color, must include the complete model and serial number of the unit for which parts are being ordered.

# FUNCTIONAL COMPONENTS



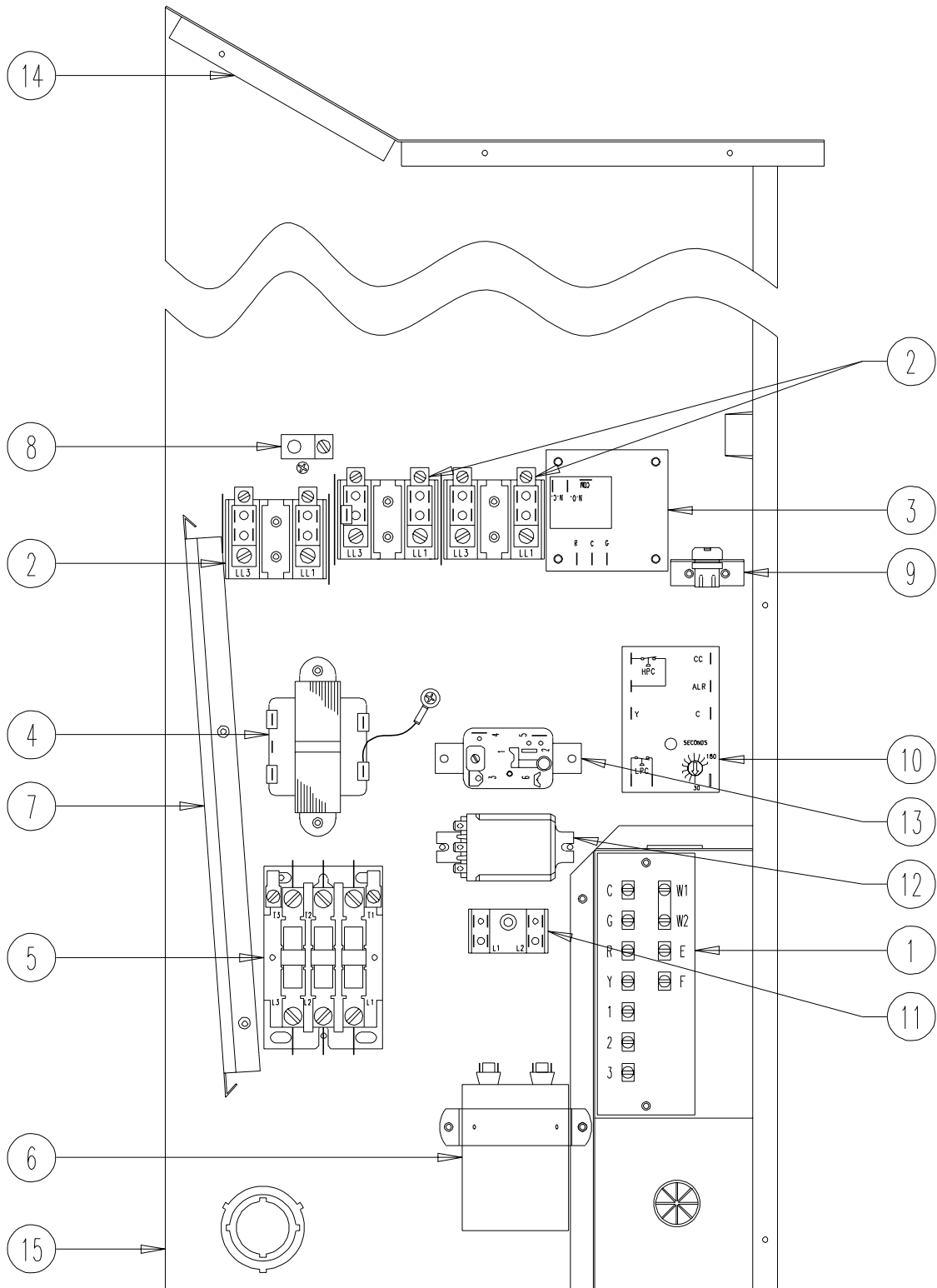
SEXP-228

## FUNCTIONAL COMPONENTS

Drawing No.	Part No.	Description	WL372TB	WL372TF
1	8000-214	Compressor	X	
1	8000-217	Compressor		X
2	S900-179	Blower Assembly	X	X
3	8200-001	Fan Motor Mount	X	X
4	5151-045	Fan Blade	X	X
5	8103-023	Condenser Motor	X	X
6	5051-089	Condenser Coil	X	X
7	800-0185	Cooling Capillary Assembly	X	X
8	5060-064	Evaporator Coil	X	X
9	7004-019	Air Filter 1" Throw-Away	X	X
9	7003-031	Air Filter 1" Washable (Optional)	X	X
9	7004-026	Air Filter 2" Pleated (Optional)	X	X
10	1171-022	1/4 Turn Fastener	X	X
11	1171-024	1/4 Turn Retainer	X	X
12	1171-023	1/4 Turn Receptacle	X	X
NS	1804-0106	High Pressure Switch (Flare)	X	X
NS	1804-0107	Low Pressure Switch (Flare)	X	X
NS	CMA-6	Low Ambient Control (Flare)	X	X
NS	8406-087	Modulating Low Ambient Control 60 Hz (Optional)	X	X

NS — Not Shown

# CONTROL PANEL COMPONENTS



SEXP-248

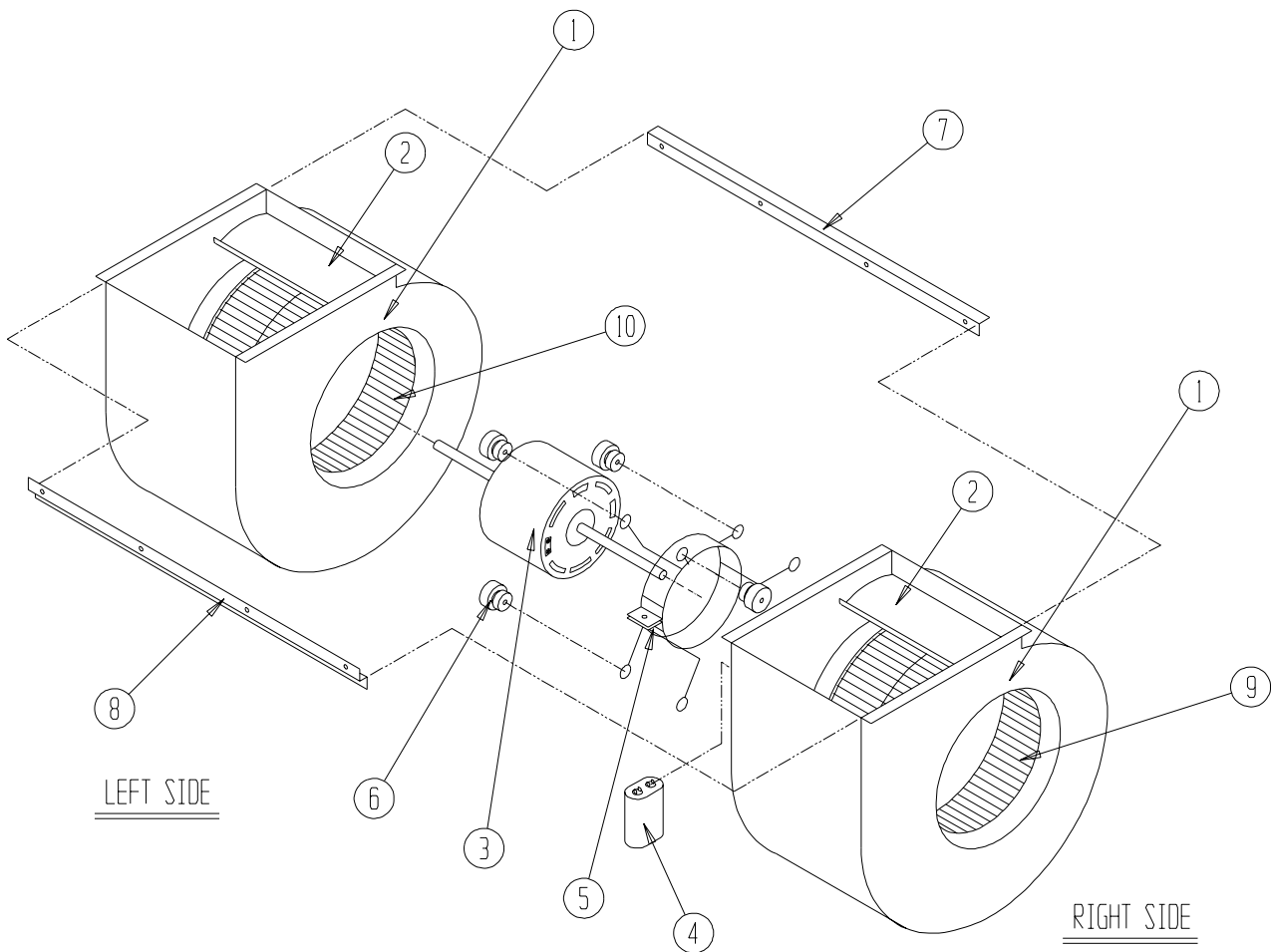
## CONTROL PANEL COMPONENTS

Drawing No.	Part No.	Description	WL372TB	WL372TF
1	8607-020	Low Voltage Terminal Strip	X	X
2	8607-013	Terminal Block 2 Pole	X	3
2	8607-014	Terminal Block 3 Pole	X	
2	134-051	Phelnolic Insulator		2
3	8201-056	Blower Control	X	X
4	8407-034	Transformer	X	X
5	8401-002	Compressor Contactor	X	X
6	8552-002	Outdoor Motor Capacitor	X	X
7	135-122	Wire Shield	X	X
8	8611-006	Ground Terminal	X	X
9	3000-1066	6 Pin Connector	X	X
10	8201-087	Compressor Control Module	X	X
11	8607-017	Terminal Block	X	X
12	8201-074	Inverter Relay	X	X
13	8201-062	Alarm Relay	X	X
14	117-137	Control Panel Top	X	X
15	117-123	Control Panel	X	X
NS	4095-629	Wiring Diagram		X
NS	4095-232	Wiring Diagram	X	

NS — Not Shown

# BLOWER ASSEMBLY

Drawing No.	Part No.	Description	900-179
1	151-111	Blower Housing	2
2	144-174	Diffuser	2
3	8105-029	Blower Motor (230/208)	X
4	8552-002	Capacitor	X
5	8200-031	Motor Mount	X
6	5451-011	Grommets	6
7	105-870	Back Brace	X
8	103-401	Front Brace	X
9	5152-090	Wheel (CW)	X
10	5152-091	Wheel (CCW)	X



SEXP-346