
REPLACEMENT PARTS MANUAL

WALL MOUNTED PACKAGE AIR CONDITIONER

MODEL: WA7013B, WA7023A

General Notes

- Revised and/or additional pages may be issued from time to time.
- A complete and current manual consists of pages shown in the following contents section.

Important

- Contact the installing and/or local Bard distributor for all parts requirements. Make sure you have the complete model and serial number available from the unit rating plates.

Contents

Description	Page
Cabinet Components	
♦ Exploded View	1
♦ Usage List	2
Functional Components	
♦ Exploded View	3
♦ Usage List	4
Control Panel	
♦ Exploded View	5
♦ Usage List	6
Blower Assembly	
♦ Exploded View	7
♦ Usage List	7

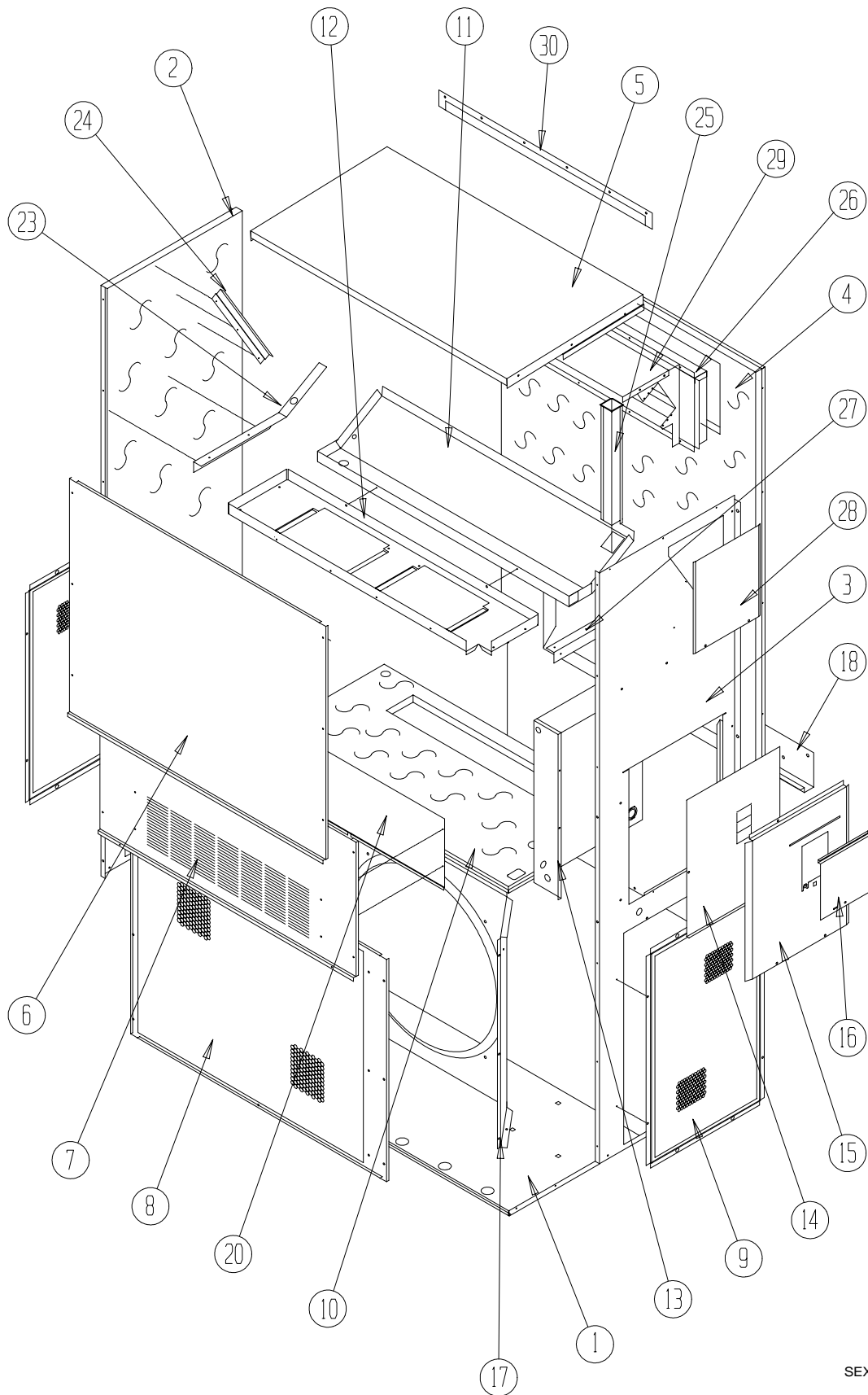


BARD MANUFACTURING COMPANY
Bryan, Ohio 43506
Since 1914...Moving ahead, just as planned.

Manual: 2110-470
Supersedes
File: 2150-004 Tab 16
Date: 01-01-03

CLIMATE CONTROL SOLUTIONS

CABINET COMPONENTS



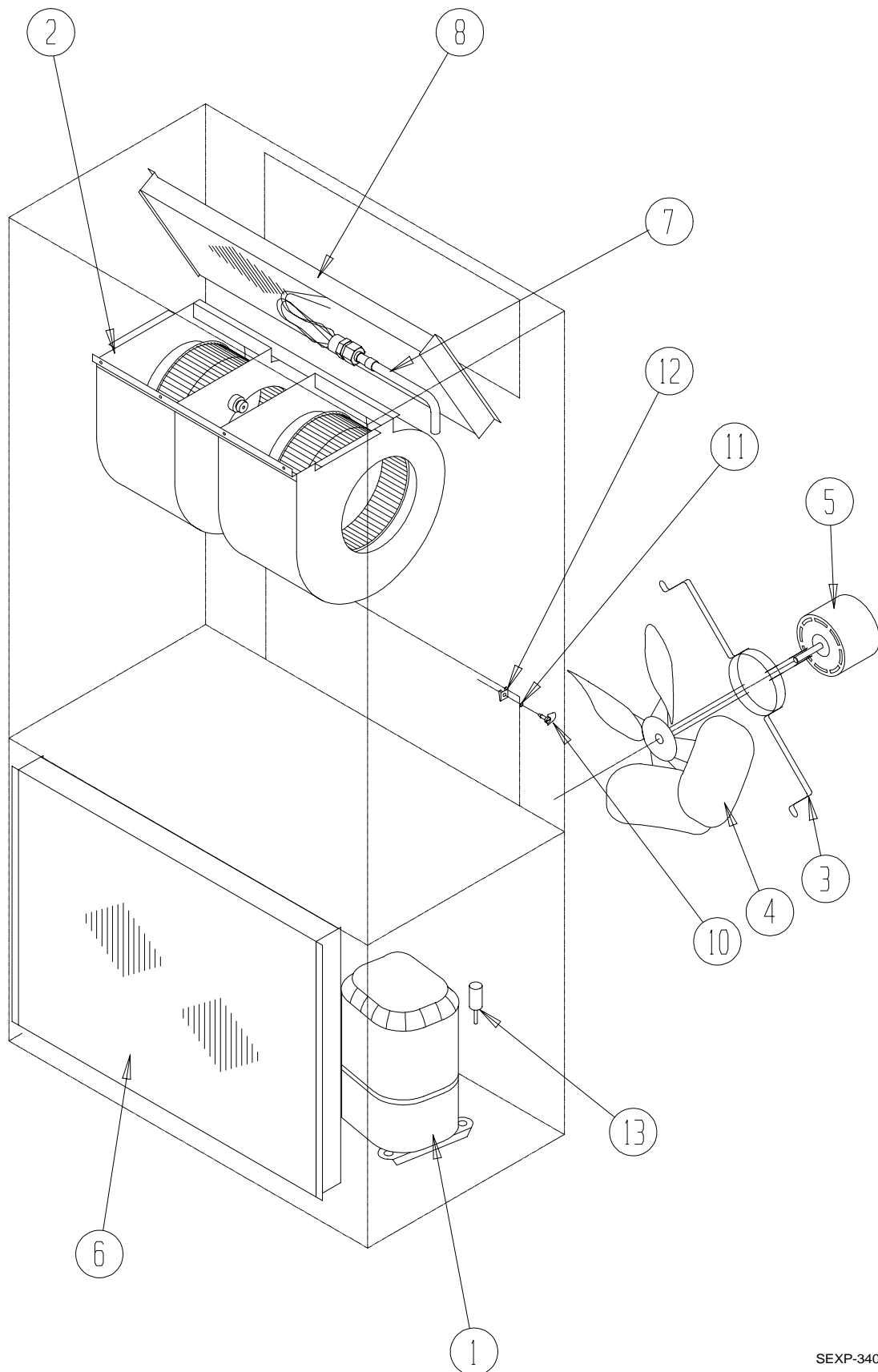
SEXP-339

CABINET COMPONENTS

Drawing No.	Part No.	Description	WA7023A	WA7013B
1	S127X214	Lower Base	X	X
2	S500-316-* ①	Left Side	X	X
3	S500-315-* ①	Right Side	X	X
4	S508-159	Back	X	X
5	S506-142-* ①	Top	X	X
6	S514-077-* ①	Upper Front	X	X
7	S552-224-* ①	Service Door	X	X
8	118-040-* ①	Condenser Grille	X	X
9	118-041-* ①	Side Grille	2	2
10	521X333	Condenser Partition	X	X
11	123-083	Drain Pan	X	X
12	121X216	Blower Partition	X	X
13	Control Panel Assy.	See Control Panel Assembly Drawing and Parts List	X	X
14	S132-144	Control Panel Cover (Inner)	X	X
15	S533-113-* ①①	Control Panel Cover (Outer)	X	X
16	S153-218-* ①	Disconnect Access Door	X	X
17	125-029	Fan Shroud	X	X
18	113-140	Bottom Mounting Bracket	X	X
20	BOP-5	Blank Off Plate	X	X
23	105X877	Left Side Support	X	X
24	147-046	Left Evaporator Support	X	X
25	135-128	Raceway	2	2
26	111X030	Outlet Airframe Assembly	X	X
27	105X878	Right Side Support	X	X
28	S143-042-* ①	Right Side Cover Plate (Outer)	X	X
29	135X123	Heat Shield	X	X
30	113-150-* ①	Top Rain Flashing	X	X

① *NOTE: Exterior cabinet parts are manufactured with various paint color options. To insure that you receive the proper paint color, you must include the complete model and serial number of the unit for which cabinet parts are being ordered.*

FUNCTIONAL COMPONENTS



SEXP-340

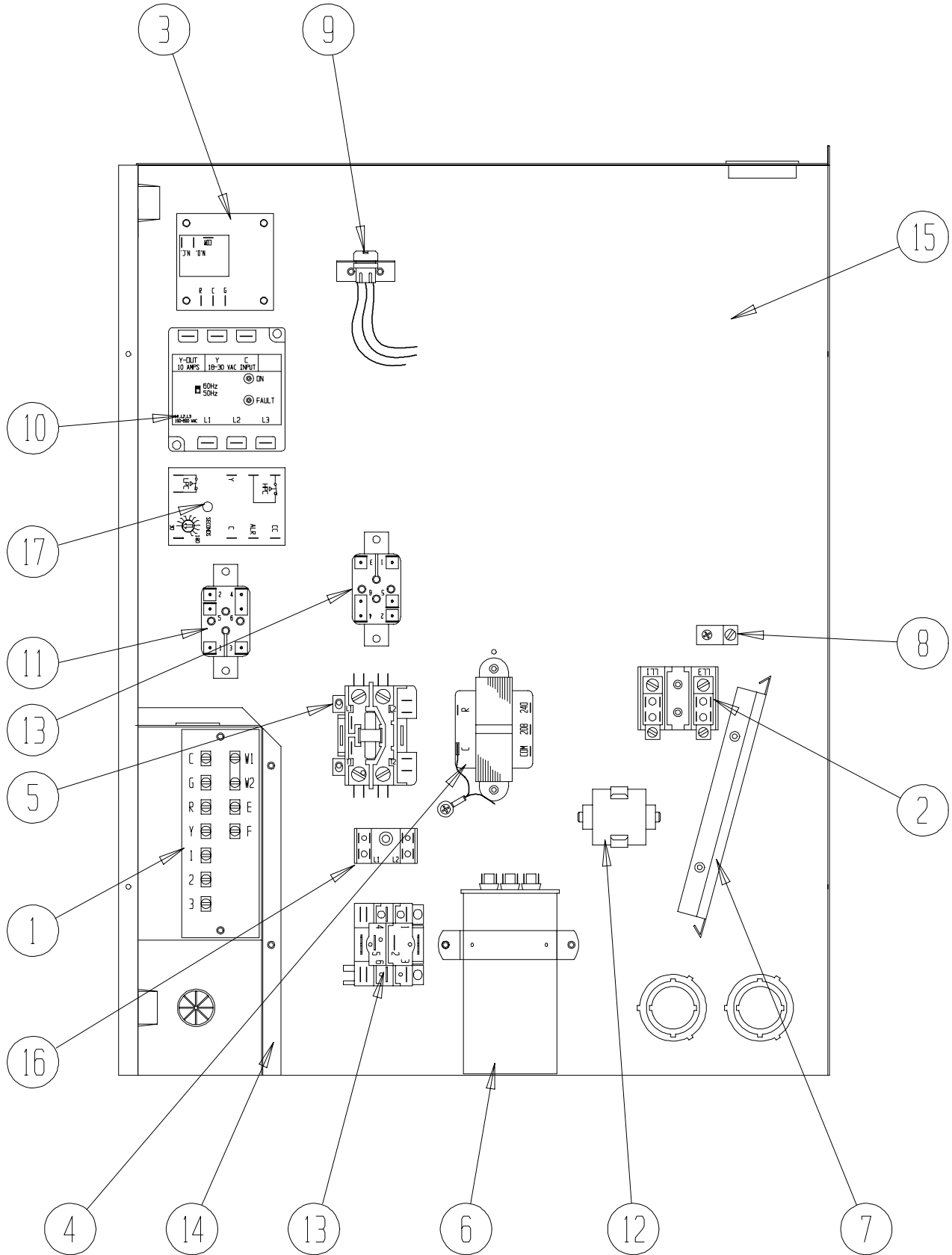
FUNCTIONAL COMPONENTS

Drawing No.	Part No.	Description	WA7023A	WA7013B
1	8000-264	Compressor	X	
1	8000-187	Compressor		X
2	S900-185	Blower Assembly	X	X
3	8200-004	Fan Motor Mount	X	X
4	5151-027	Fan Blade	X	X
5	8105-039	Condenser Motor	X	X
6	5051-088	Condenser Coil	X	X
7	5651-131	Expansion Valve	X	X
8	5060-082	Evaporator Coil	X	X
10	1171-022	1/4 Turn Fastener	X	X
11	1171-024	1/4 Turn Retainer	X	X
12	1171-023	1/4 Receptacle	X	X
NS	1804-0106	High Pressure Switch (Flare) ①	X	X
NS	1804-0107	Low Pressure Switch (Flare) ①	X	X
NS	CMA-6	Low Ambient Control (Flare) ①	X	X

NS = Not Shown

① = Optional

CONTROL PANEL



SEXP-180

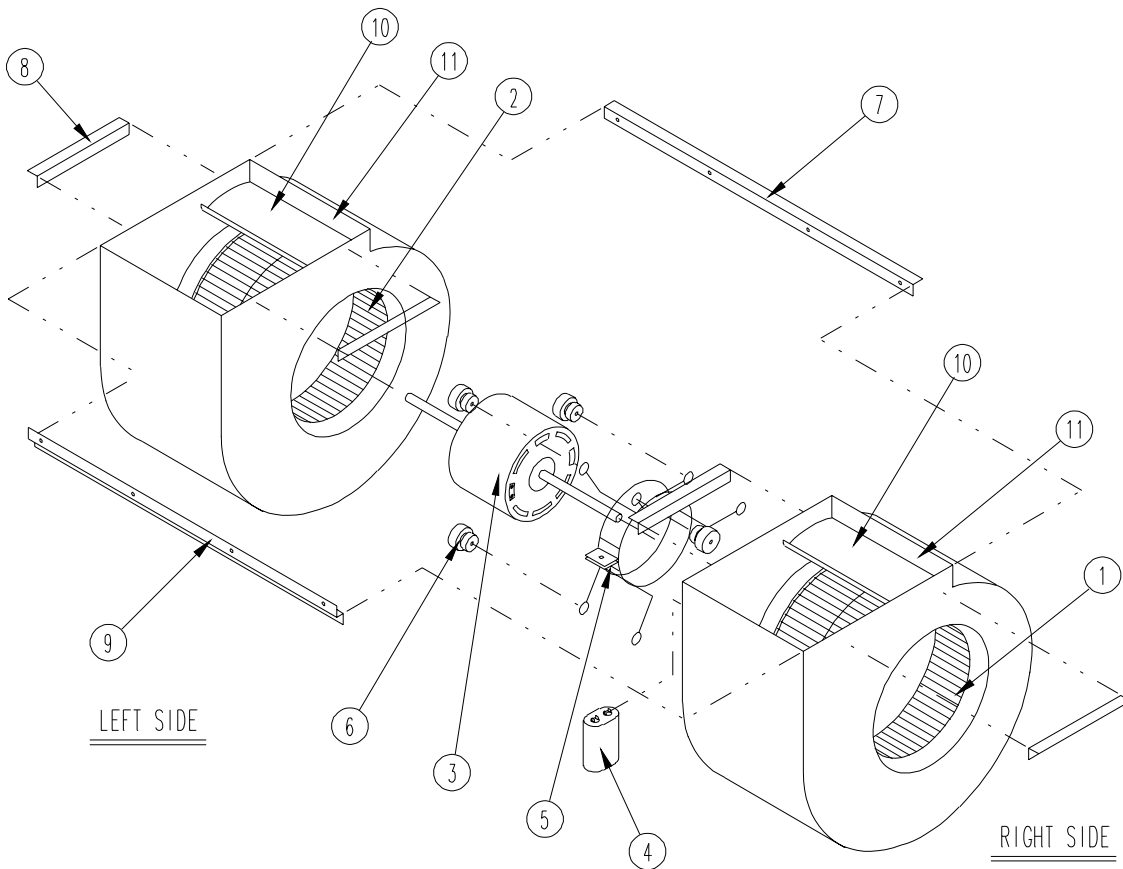
CONTROL PANEL

Drawing No.	Part No.	Description	WA7023A	WA7013B
1	8607-020	Low Voltage Terminal Strip	X	X
2	8607-013	Terminal Block 2 Pole	X	
2	8607-014	Terminal Block 3 Pole		X
3	8201-056	Blower Control	X	X
4	8407-034	Transformer	X	X
5	8401-025	Compressor Contactor	X	
5	8401-027	Compressor Contactor		X
6	8552-058	Compressor Capacitor	X	
6	8552-005	Outdoor Motor Capacitor		X
7	135-122	Wire Shield	X	X
8	8611-006	Ground Terminal	X	X
9	3000-978	6 Pin Connector	X	X
10	8201-085	Phase Monitor		X
11	8201-062	Alarm Relay (Optional)	X	X
12	8552-003	Start Kit (Optional)	X	
13	8201-009	Crankcase Heat Relay	X	X
14	117X139	Low Voltage Box	X	X
15	117X143	Control Panel	X	X
16	8607-017	Terminal Block (Optional)	X	X
17	8201-081	Compressor Control Module	X	X
NS	4095-129	Wiring Diagram	X	
NS	4095-231	Wiring Diagram		X

NS = Not Shown

BLOWER ASSEMBLY

Drawing No.	Part No.	Description	900-185	900-186
1	5152-011	10 Inch Wheel (CW)	X	X
2	5152-012	10 Inch Wheel (CCW)	X	X
3	8106-030	Blower Motor (230/208)	X	
3	8106-025	Blower Motor (460)		X
4	8552-005	Capacitor	X	X
5	8200-040	Motor Mount	X	X
6	5451-011	Grommets	6	6
7	105-880	Back Brace	X	X
8	105-881	Side Angle	4	4
9	103-389	Front Brace	X	X
10	151-101	Housing	2	2
11	144-166	Diffuser	2	2



SEXP-178