

---

# REPLACEMENT PARTS MANUAL

# WALL MOUNTED PACKAGE AIR CONDITIONER

Models: **YA302, YA372**

---

## General Notes

- Revised and/or additional pages may be issued from time to time.
- A complete and current manual consists of pages shown in the following contents section.

## Important

- Contact the installing and/or local Bard distributor for all parts requirements. Make sure you have the complete model and serial number available from the unit rating plates.

## Contents

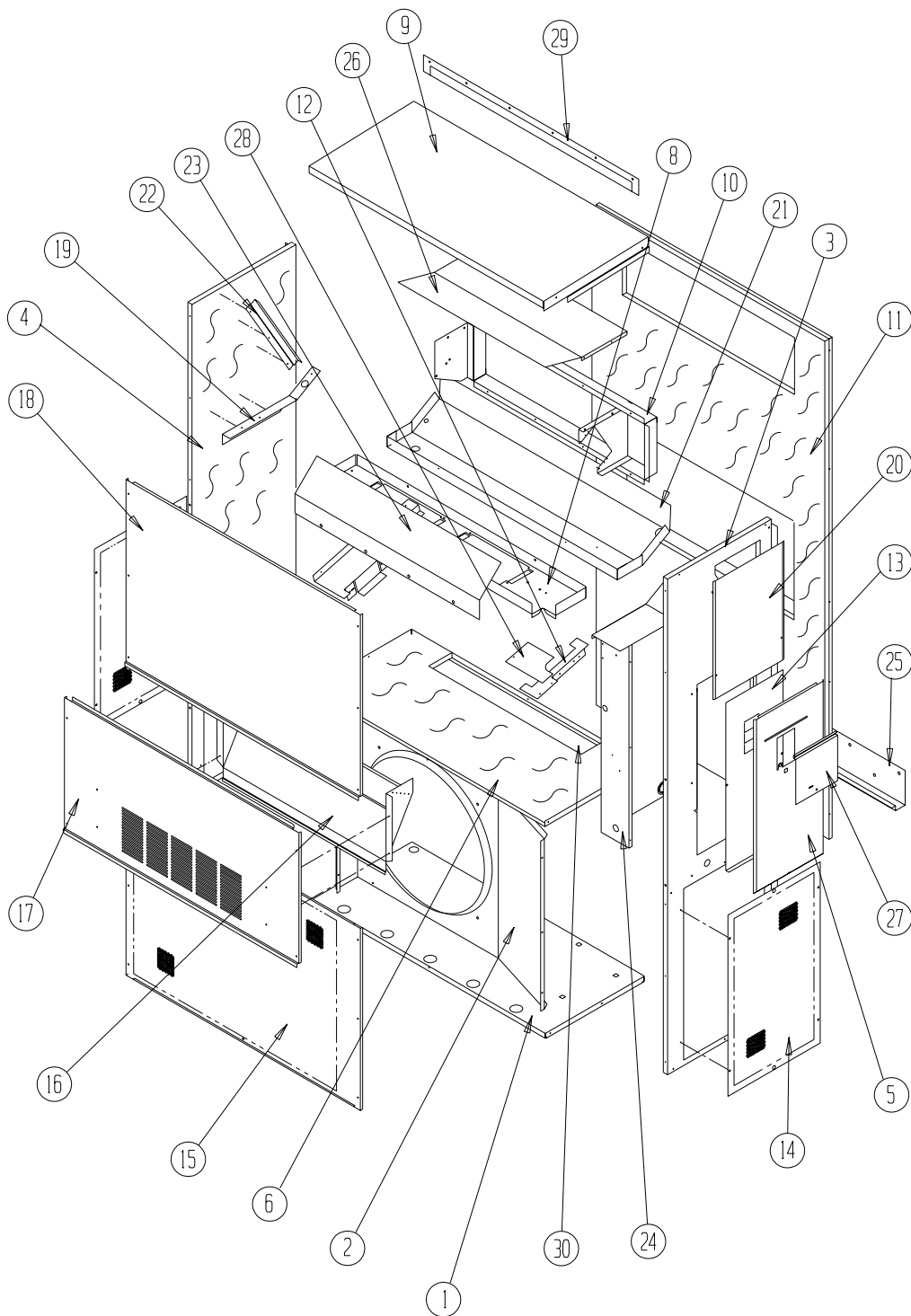
| Description           | Page |
|-----------------------|------|
| Cabinet Components    |      |
| ♦ Exploded View ..... | 1    |
| ♦ Usage List .....    | 2    |
| Functional Components |      |
| ♦ Exploded View ..... | 3    |
| ♦ Usage List .....    | 4    |
| Control Panel         |      |
| ♦ Exploded View ..... | 5    |
| ♦ Usage List .....    | 6    |
| Blower Assembly       |      |
| ♦ Exploded View ..... | 7    |
| ♦ Usage List .....    | 7    |

---

Manual: 2110-473  
Supersedes:  
Date: 06-20-05

# CABINET COMPONENTS

---



SEXP-160

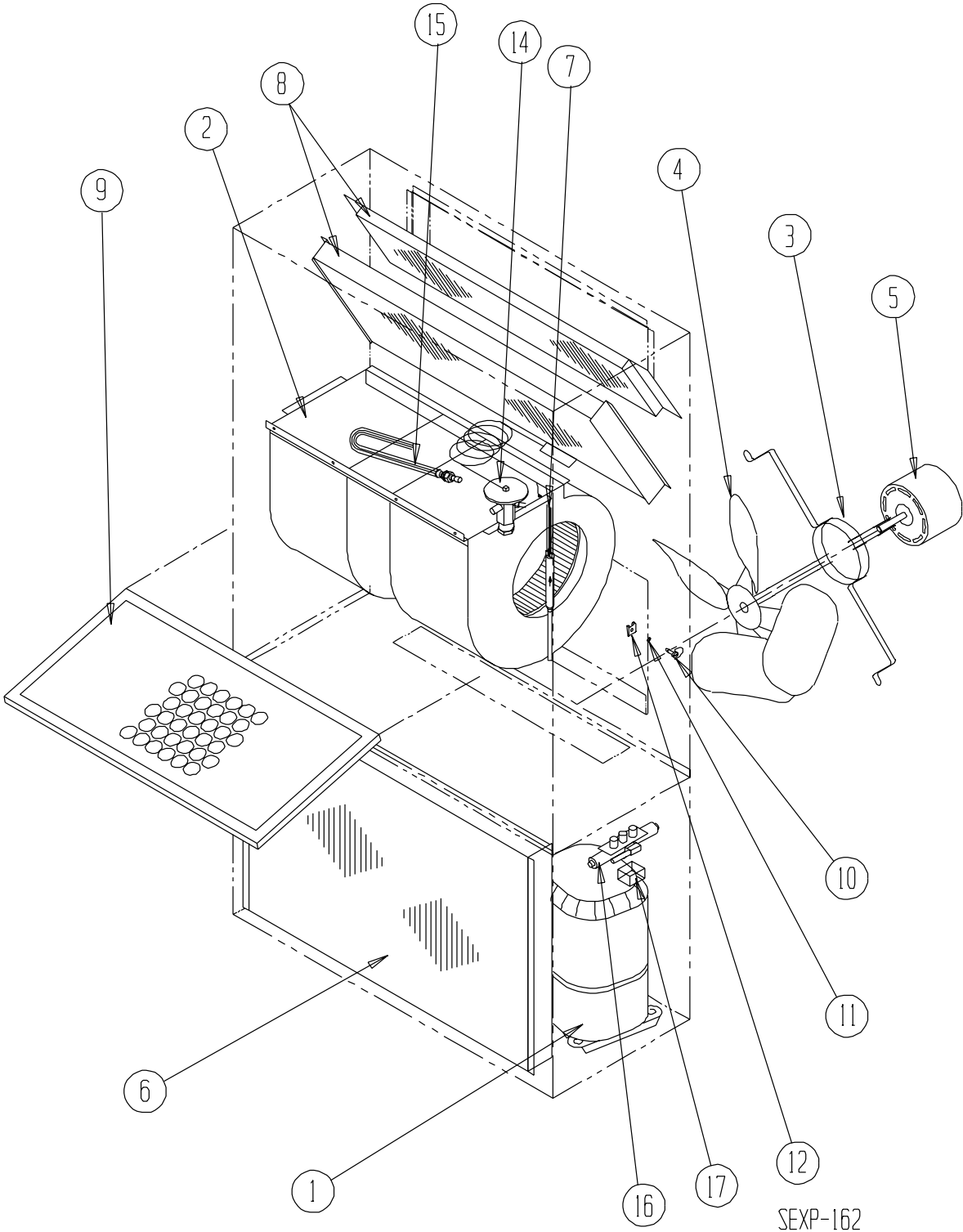
# CABINET COMPONENTS

| Drawing<br>No. | Part No.                  | Description  | YA302-A,B | YA302-C | YA372-A,B | YA372-C |
|----------------|---------------------------|--|-----------|---------|-----------|---------|
| 1              | S127-199                  | Lower Base   | X         | X       | X         | X       |
| 2              | 125-022                   | Fan Shroud   | X         | X       | X         | X       |
| 3              | S500-228-* ①              | Right Side   | X         | X       | X         | X       |
| 3              | S500-441 ②                | Right Side   | X         | X       | X         | X       |
| 4              | S500-229-* ①              | Left Side  | X         | X       | X         | X       |
| 4              | S500-442 ②                | Left Side  | X         | X       | X         | X       |
| 5              | S533-109-* ①              | Control Panel Cover (Outer)                          | X         | X       | X         | X       |
| 5              | S533-182 ②                | Control Panel Cover (Outer)                          | X         | X       | X         | X       |
| 6              | S521X181                  | Condenser Partition                                  | X         | X       | X         | X       |
| 8              | 121X182                   | Blower Partition                                     | X         | X       | X         | X       |
| 9              | S506-130-* ①              | Top  | X         | X       | X         | X       |
| 9              | S506-245 ②                | Top  | X         | X       | X         | X       |
| 10             | S111X030                  | Outlet Airframe Assembly                             | X         | X       | X         | X       |
| 11             | S508-088                  | Back   | X         | X       | X         | X       |
| 11             | S508-185 ②                | Back   | X         | X       | X         | X       |
| 12             | 113X195                   | Filter Bracket                                       | 2         | 2       | 2         | 2       |
| 13             | S132-104                  | Control Panel Cover (Inner)                          | X         |         | X         |         |
| 13             | S132-172                  | Control Panel Cover (Inner)                          |           | X       |           | X       |
| 14             | 118-056-* ①               | Side Grille  | 2         | 2       | 2         | 2       |
| 14             | 118-060 ②                 | Side Grille  | 2         | 2       | 2         | 2       |
| 15             | 118-059-* ①               | Condenser Grille                                     | X         | X       | X         | X       |
| 15             | 118-061 ②                 | Condenser Grille                                     | X         | X       | X         | X       |
| 16             | BFAD-3                    | Fresh Air Damper Assembly                            | X         | X       | X         | X       |
| 17             | S552-206-* ①              | Service Door   | X         | X       | X         | X       |
| 17             | S552-386 ②                | Service Door   | X         | X       | X         | X       |
| 18             | S514-072-* ①              | Upper Front  | X         | X       | X         | X       |
| 18             | S514-140 ②                | Upper Front  | X         | X       | X         | X       |
| 19             | 105X850                   | Left Side Support                                    | X         | X       | X         | X       |
| 20             | S143-034-* ①              | Right Side Cover Plate (Outer)                       | X         | X       | X         | X       |
| 20             | S143-103 ②                | Right Side Cover Plate (Outer)                       | X         | X       | X         | X       |
| 21             | S123-078                  | Drain Pan  | X         | X       | X         | X       |
| 22             | 147-044                   | Evaporator Support                                   | X         | X       | X         | X       |
| 23             | 135-124                   | Air Baffle   | X         | X       | X         | X       |
| 24             | Control Panel<br>Assembly | See Control Panel Assembly<br>Drawing and Parts List | X         | X       | X         | X       |
| 25             | 113-140                   | Bottom Mounting Bracket                              | 1         | 1       | 1         | 1       |
| 26             | 135X123                   | Heat Shield  | X         | X       | X         | X       |
| 27             | S153-218-* ①              | Disconnect Access Door                               | X         | X       | X         | X       |
| 27             | S153-387 ②                | Disconnect Access Door                               | X         | X       | X         | X       |
| 28             | 137-259                   | Fill Plate   | X         | X       | X         | X       |
| 29             | 113-149-* ①               | Top Rain Flashing                                    | X         | X       | X         | X       |

① NOTE: Exterior cabinet parts are manufactured with various paint color options. To insure that you receive the proper paint color, you must include the complete model and serial number of the unit for which cabinet parts are being ordered.

② NOTE: Exterior cabinet parts are manufactured from aluminum Code "A".

# FUNCTIONAL COMPONENTS



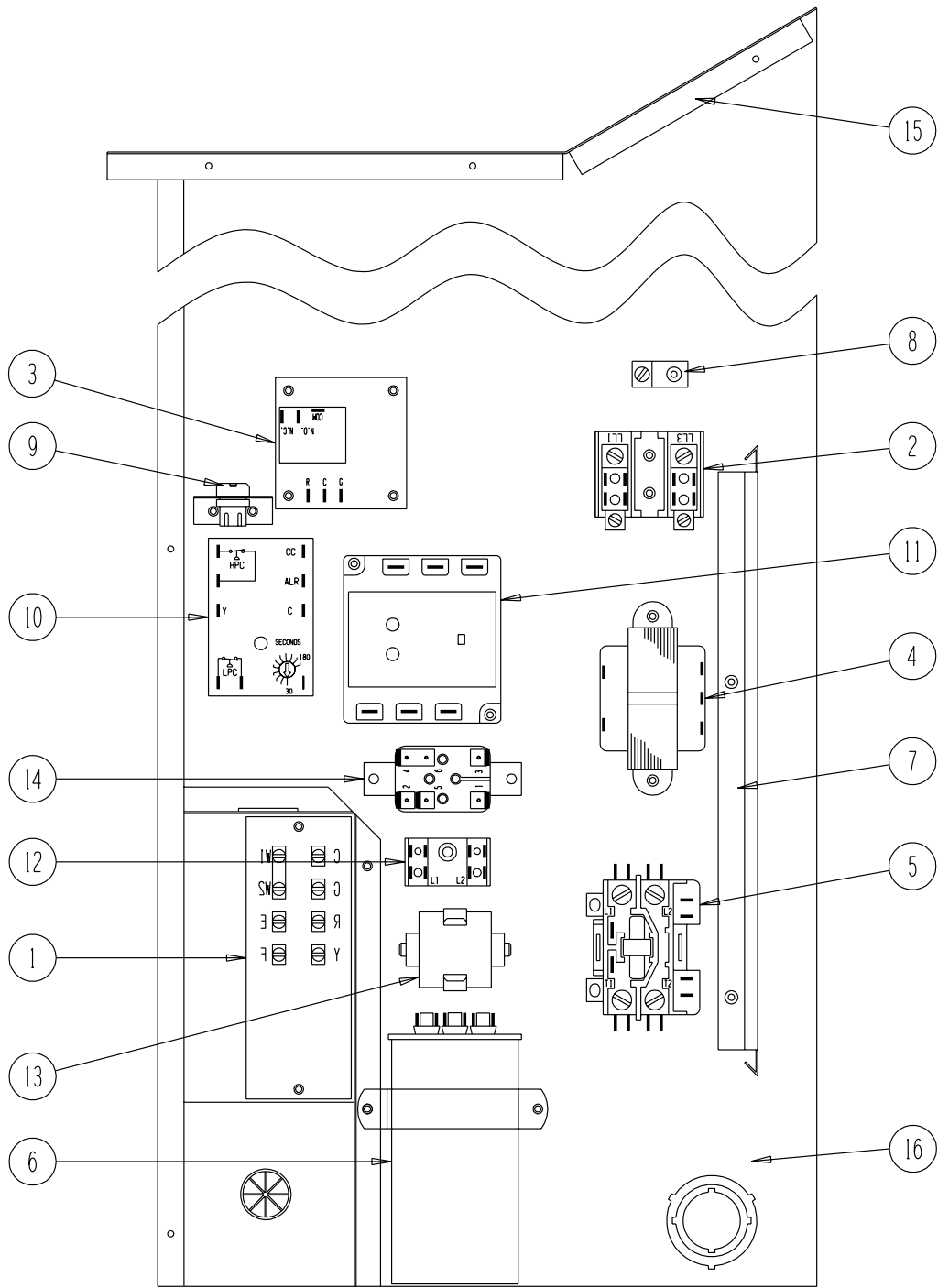
# FUNCTIONAL COMPONENTS

| Drawing No. | Part No.  | Description                    | YA302-A | YA302-B | YA302-C | YA372-A | YA372-B | YA372-C |
|-------------|-----------|--------------------------------|---------|---------|---------|---------|---------|---------|
| 1           | 8000-255  | Compressor                     | X       |         |         |         |         |         |
| 1           | 8000-203  | Compressor                     |         | X       |         |         |         |         |
| 1           | 8000-214  | Compressor                     |         |         |         |         | X       |         |
| 1           | 8000-217  | Compressor                     |         |         |         |         |         | X       |
| 1           | 8000-225  | Compressor                     |         |         |         | X       |         |         |
| 1           | 8000-204  | Compressor                     |         |         | X       |         |         |         |
| 2           | S900-231  | Blower Assembly                | X       | X       |         | X       | X       |         |
| 2           | S900-232  | Blower Assembly                |         |         | X       |         |         | X       |
| 3           | 8200-001  | Fan Motor Mount                | X       | X       | X       | X       | X       | X       |
| 4           | 5151-045  | Fan Blade                      | X       | X       | X       | X       | X       | X       |
| 5           | 8103-013  | Condenser Motor                | X       | X       |         | X       | X       |         |
| 5           | 8103-020  | Condenser Motor                |         |         | X       |         |         | X       |
| 6           | 5051-066  | Condenser Coil                 | X       | X       | X       | X       | X       | X       |
| 7           | 800-0185  | Cooling Capillary Assembly     |         |         |         | X       | X       | X       |
| 7           | 800-0184  | Cooling Capillary Assembly     | X       | X       | X       |         |         |         |
| 8           | 5060-064  | Evaporator Coil                | X       | X       | X       | X       | X       | X       |
| 9           | 7004-019  | Air Filter 1" Throw-Away       | X       | X       | X       | X       | X       | X       |
| 9           | 7003-031  | Air Filter 1" Washable ①       | X       | X       | X       | X       | X       | X       |
| 9           | 7004-026  | Air Filter 2" Pleated ①        | X       | X       | X       | X       | X       | X       |
| 10          | 1171-022  | 1/4 Turn Fastener              | X       | X       | X       | X       | X       | X       |
| 11          | 1171-024  | 1/4 Turn Retainer              | X       | X       | X       | X       | X       | X       |
| 12          | 1171-023  | 1/4 Turn Receptacle            | X       | X       | X       | X       | X       | X       |
| NS          | 1804-0106 | High Pressure Switch (Flare) ① | X       | X       | X       | X       | X       | X       |
| NS          | 1804-0107 | Low Pressure Switch (Flare) ①  | X       | X       | X       | X       | X       | X       |
| NS          | CMA-6     | Low Ambient Control (Flare) ①  | X       | X       | X       | X       | X       | X       |

NS – Not Shown

① Optional

# CONTROL PANEL



SEXP-291

# CONTROL PANEL

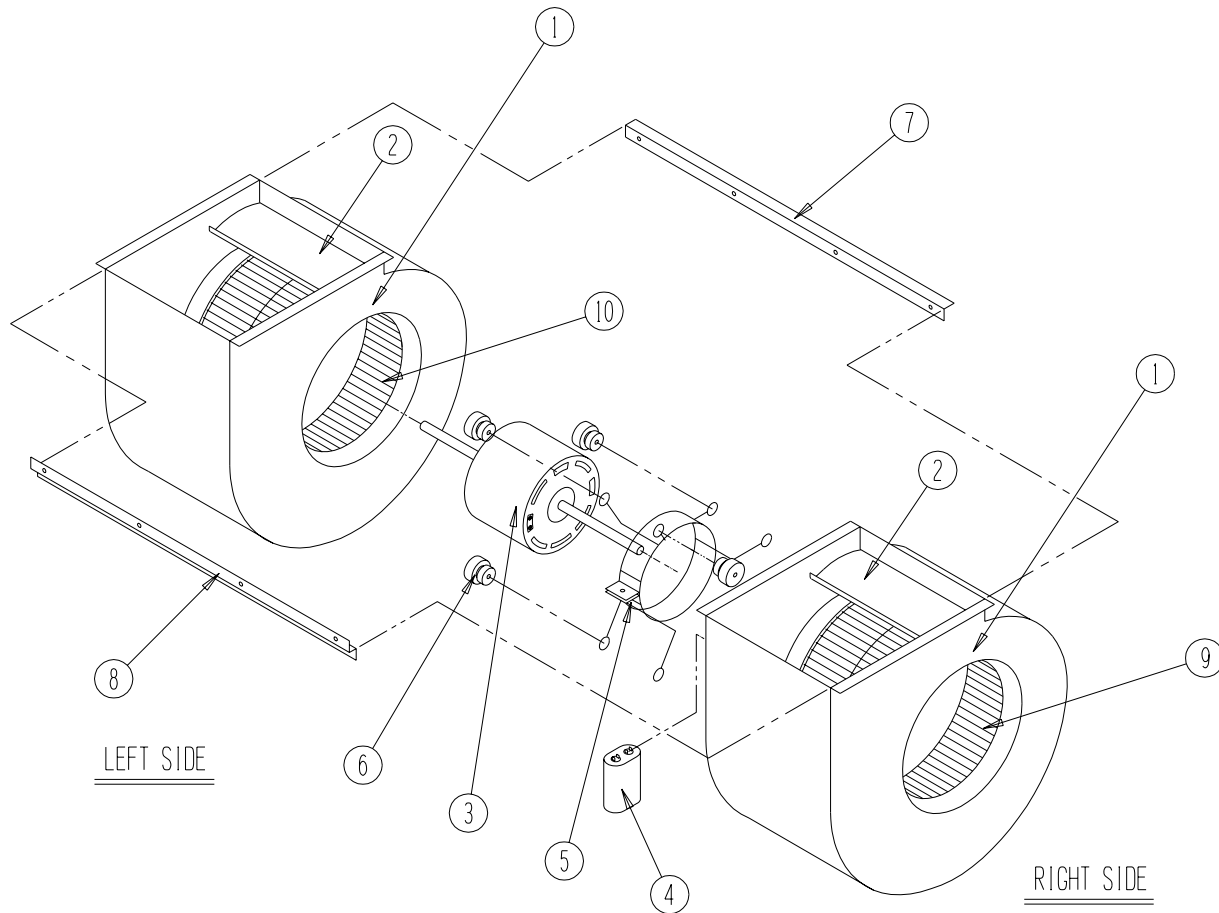
| Drawing No. | Part No. | Description                          | YA302-A | YA302-B | YA302-C | YA372-A | YA372-B | YA372-C |
|-------------|----------|--------------------------------------|---------|---------|---------|---------|---------|---------|
| 1           | 8607-020 | Low Voltage Terminal Strip           | X       | X       | X       | X       | X       | X       |
| 2           | 8607-013 | Terminal Block 2 Pole                | X       |         |         | X       |         |         |
| 2           | 8607-014 | Terminal Block 3 Pole                |         | X       | X       |         | X       | X       |
| 2           | 8607-015 | Phenolic Insulator                   |         |         | X       |         |         | X       |
| 3           | 8201-056 | Blower Control                       | X       | X       |         | X       | X       |         |
| 3           | 8201-032 | Blower Relay                         |         |         | X       |         |         | X       |
| 4           | 8407-034 | Transformer                          | X       | X       |         | X       | X       |         |
| 4           | 8407-042 | Transformer                          |         |         | X       |         |         | X       |
| 5           | 8401-007 | Compressor Contactor                 | X       |         |         | X       |         |         |
| 5           | 8401-002 | Compressor Contactor                 |         | X       | X       |         | X       | X       |
| 6           | 8552-049 | Compressor Capacitor                 | X       |         |         |         |         |         |
| 6           | 8552-051 | Compressor Capacitor                 |         |         |         | X       |         |         |
| 6           | 8552-002 | Outdoor Motor Capacitor              |         | X       | X       |         | X       | X       |
| 7           | 135-122  | Wire Shield                          | X       | X       | X       | X       | X       | X       |
| 8           | 8611-006 | Ground Terminal                      | X       | X       | X       | X       | X       | X       |
| 9           | 3000-968 | 6 Pin Connector                      | X       | X       | X       | X       | X       | X       |
| 10          | 8201-088 | Compressor Control Module (Optional) | X       | X       | X       | X       | X       | X       |
| 10          | 8201-050 | Compressor TDR (Optional)            | X       | X       | X       | X       | X       | X       |
| 11          | 8201-085 | Phase Monitor                        |         | X       | X       |         | X       | X       |
| 12          | 8607-017 | Terminal Block (Optional)            | X       | X       | X       | X       | X       | X       |
| 13          | 8551-005 | Start Device (PTRC) (Optional)       | X       |         |         | X       |         |         |
| 14          | 8201-062 | Alarm Relay (Optional)               | X       | X       | X       | X       | X       | X       |
| 15          | 117-137  | Control Panel Top                    | X       | X       | X       | X       | X       | X       |
| 16          | 117-123  | Control Panel                        | X       | X       | X       | X       | X       | X       |
| NS          | 8615-038 | Circuit Breaker 35A 2 Pole (Opt) ①   | X       |         |         | X       |         |         |
| NS          | 8615-054 | Circuit Breaker 20A 3 Pole (Opt) ①   |         | X       |         |         |         |         |
| NS          | 8615-051 | Circuit Breaker 25A 3 Pole (Opt) ①   |         |         |         |         | X       |         |
| NS          | 8615-067 | Toggle Disconnect (Optional)         |         |         | X       |         |         | X       |
| NS          | 4095-134 | Wiring Diagram                       | X       |         |         | X       |         |         |
| NS          | 4095-234 | Wiring Diagram                       |         | X       |         |         | X       |         |
| NS          | 4095-321 | Wiring Diagram                       |         |         | X       |         |         | X       |

NS – Not Shown

① Circuit breakers listed are for units without electric heat "0Z" models. See Heater Replacement Parts Manual for units with electric heat.

# BLOWER ASSEMBLY

| Drawing No. | Part No. | Description            | 900-231 | 900-232 |
|-------------|----------|------------------------|---------|---------|
| 1           | 151-111  | Blower Housing         | 2       | 2       |
| 2           | 144-174  | Diffuser               | 2       | 2       |
| 3           | 8105-029 | Blower Motor (230/208) | X       |         |
| 3           | 8105-033 | Blower Motor (460)     |         | X       |
| 4           | 8552-002 | Capacitor              | X       | X       |
| 5           | 8200-031 | Motor Mount            | X       | X       |
| 6           | 5451-011 | Grommets               | 6       | 6       |
| 7           | 105-870  | Back Brace             | X       | X       |
| 8           | 103-401  | Front Brace            | X       | X       |
| 9           | 5152-090 | Wheel (CW)             | X       | X       |
| 10          | 5152-091 | Wheel (CCW)            | X       | X       |



SEXP-346