
WALL MOUNTED PACKAGE AIR CONDITIONER

REPLACEMENT PARTS MANUAL

Models: **WA3S1-A** **WA3S1-B**
WA3S1-C **WA4S1-A**
WA4S1-B **WA4S1-C**
WA5S1-A **WA5S1-B**
WA5S1-C

General Notes

- Revised and/or additional pages may be issued from time to time.
- A complete and current manual consists of pages shown in the following contents section.

Important

- Contact the installing and/or local Bard distributor for all parts requirements. Make sure you have the complete model and serial number available from the unit rating plates.

Contents

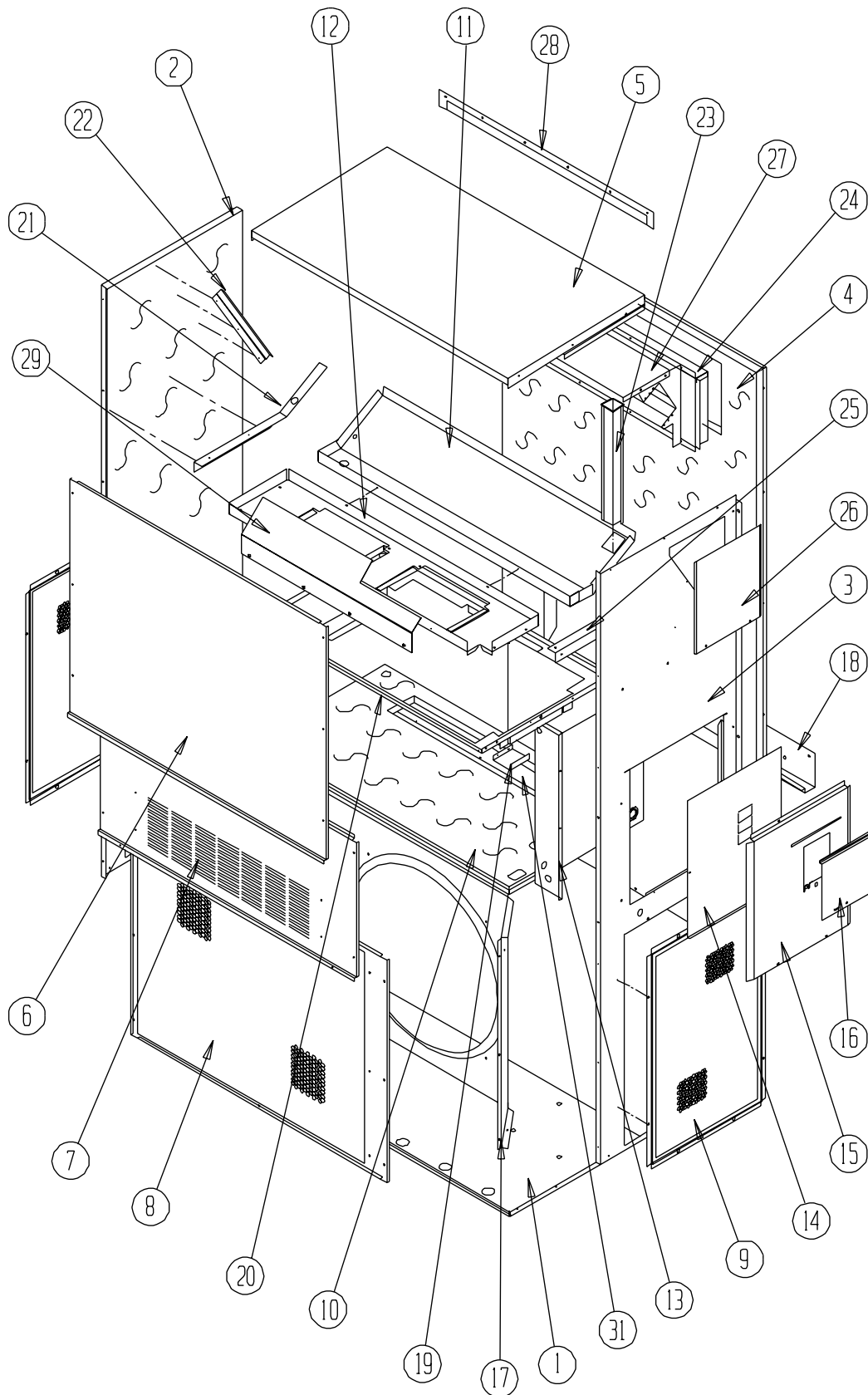
Description	Page
Cabinet Components	
♦ Exploded View	2
♦ Usage List	3
Functional Components	
♦ Exploded View	4
♦ Usage List	5
Control Panel	
♦ Exploded View	6
♦ Usage List	7
Blower Assembly	
♦ Exploded View	8
♦ Usage List	8



Bard Manufacturing Company, Inc.
Bryan, Ohio 43506
Since 1914...Moving ahead, just as planned.

Manual: 2110-474D
Supersedes: 2110-474C
File: Tab 16
Date: 05-13-08

CABINET COMPONENTS



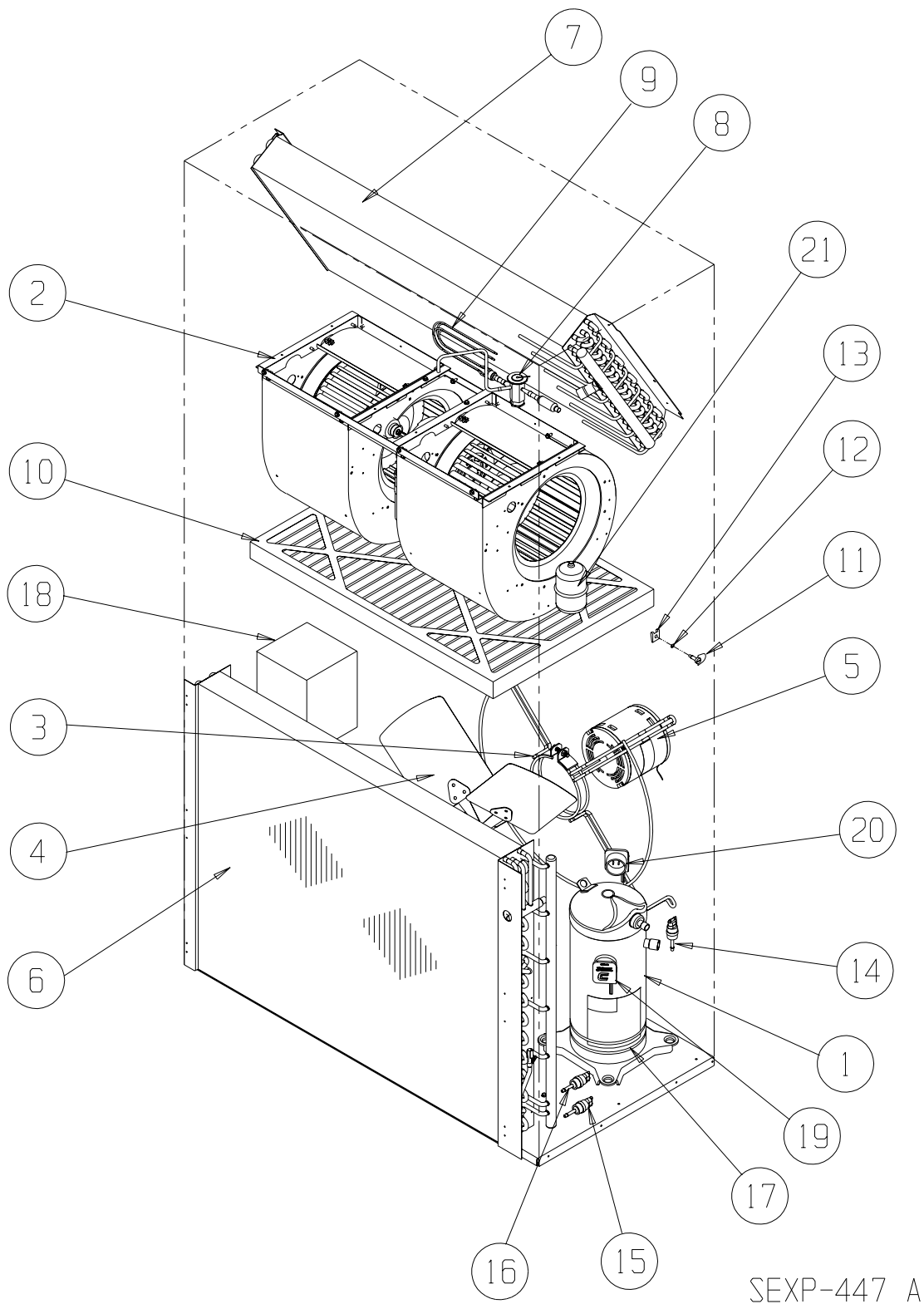
SEXP-446

CABINET COMPONENTS

Drawing No.	Part No.	Description	WA3S1-A	WA3S1-B	WA3S1-C	WA4S1-A	WA4S1-B	WA4S1-C	WA5S1-A	WA5S1-B	WA5S1-C
1	S127X214	Lower Base	X	X	X	X	X	X	X	X	X
2	S500-262-* ①	Left Side	X	X	X						
2	S500-316-* ①					X	X	X	X	X	X
3	S500-261-* ①	Right Side	X	X	X						
3	S500-315-* ①					X	X	X	X	X	X
4	S508-098	Back	X	X	X						
4	S508-129					X	X	X	X	X	X
5	S506-142-* ①	Top	X	X	X	X	X	X	X	X	X
6	S514-077-* ①	Upper Front	X	X	X	X	X	X	X	X	X
7	S552-224-* ①	Service Door	X	X	X	X	X	X	X	X	X
8	118-048-* ①	Condenser Grille	X	X	X						
8	118-052-* ①					X	X	X	X	X	X
9	118-057-* ①	Side Grille	X	X	X						
9	118-058-* ①					X	X	X	X	X	X
10	S521X258	Condenser Partition	X	X	X	X	X	X	X	X	X
11	523-112	Drain Pan Assembly	X	X	X	X	X	X	X	X	X
12	121X216	Blower Partition	X	X	X	X	X	X	X	X	X
13	Control Panel Assy.	See Control Panel Assembly Drawing and Parts List	X	X	X	X	X	X	X	X	X
14	S133-114	Control Panel Cover (Inner)	X	X		X	X		X	X	
14	S132-171				X			X			X
15	S533-113-* ①	Control Panel Cover (Outer)	X	X	X	X	X	X	X	X	X
16	S153-218-* ①	Disconnect Access Door	X	X	X	X	X	X	X	X	X
17	125-051	Fan Shroud	X	X	X						
17	125-050					X	X	X	X	X	X
18	113-140	Bottom Mounting Bracket	X	X	X	X	X	X	X	X	X
19	137-209	Fill	X	X	X	X	X	X	X	X	X
20	131X099	Filter Tray	X	X	X	X	X	X	X	X	X
21	105X877	Left Side Support	X	X	X	X	X	X	X	X	X
22	147-046	Left Evaporator Support	X	X	X	X	X	X	X	X	X
23	135-128	Raceway	X	X	X						
24	S111X034	Outlet Airframe Assembly	X	X	X	X	X	X	X	X	X
25	105X878	Right Side Support	X	X	X	X	X	X	X	X	X
26	543-042-* ①	Right Side Cover Plate (Outer)	X	X	X	X	X	X	X	X	X
27	135X129	Heat Shield	X	X	X	X	X	X	X	X	X
28	113-150-* ①	Top Rain Flashing	X	X	X	X	X	X	X	X	X
29	135-175	Air Deflector	X	X	X						

① NOTE: Exterior cabinet parts are manufactured with various paint color options. To insure that you receive the proper paint color, you must include the complete model and serial number of the unit for which cabinet parts are being ordered.

FUNCTIONAL COMPONENTS



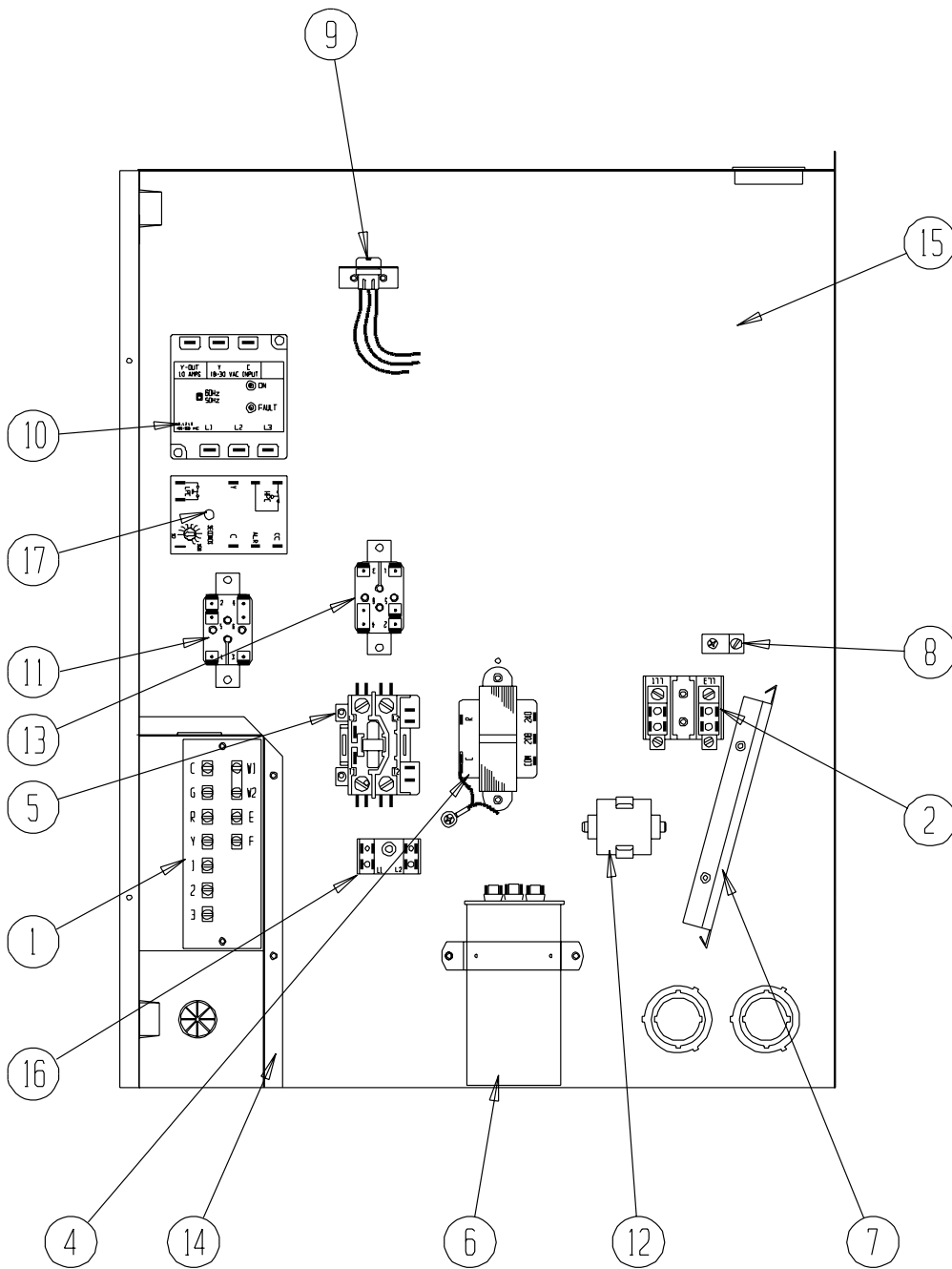
SEXP-447 A

FUNCTIONAL COMPONENTS

			WA3S1-A	WA3S1-B	WA3S1-C	WA4S1-A	WA4S1-B	WA4S1-C	WA5S1-A	WA5S1-B	WA5S1-C
1	8000-269	Compressor	X								
1	8000-272	Compressor		X							
1	8000-275	Compressor			X						
1	8000-267	Compressor				X					
1	8000-270	Compressor					X				
1	8000-273	Compressor						X			
1	8000-268	Compressor							X		
1	8000-271	Compressor								X	
1	8000-274	Compressor									X
2	S900-273-001	Blower Assembly	X	X	X	X	X	X			
2	S900-273-002	Blower Assembly				X	X	X	X	X	X
2	S900-273-003	Blower Assembly									
3	8200-004	Fan Motor Mount	X	X	X	X	X	X	X	X	X
4	5151-027	Fan Blade	X	X	X	X	X	X	X	X	X
5	8105-039	Condenser Motor	X	X		X	X		X	X	
5	8105-030	Condenser Motor			X			X			X
6	5051-131BX	Condenser Coil	X	X	X						
6	5051-129BX	Condenser Coil				X	X	X	X	X	X
7	5060-124BX	Evaporator	X	X	X						
7	5060-122BX	Evaporator				X	X	X	X	X	X
8	905-0350	TXV Assembly	X	X	X						
8	905-0351	TXV Assembly				X	X	X			
8	905-0352	TXV Assembly							X	X	X
9	800-0340	Cooling Distributor	X	X	X						
9	800-0342	Cooling Distributor				X	X	X	X	X	X
10	7004-016	20" x 30" x 1" Disposable	X	X	X	X	X	X	X	X	X
10	7003-030	20" x 30" x 1" Washable	X	X	X	X	X	X	X	X	X
10	7004-027	20" x 30" x 2" Pleated Filter	X	X	X	X	X	X	X	X	X
11	1171-022	1/4 Turn Fastener	X	X	X	X	X	X	X	X	X
12	1171-024	1/4 Turn Retainer	X	X	X	X	X	X	X	X	X
13	1171-023	1/4 Turn Receptacle	X	X	X	X	X	X	X	X	X
14	1804-0107	Low Pressure Switch (Flare)	X	X	X	X	X	X	X	X	X
15	8406-112	Low Ambient Control (Flare)ⓐ	X	X	X	X	X	X	X	X	X
16	1804-0316	High Pressure Switch (Flare)	X	X	X	X	X	X	X	X	X
17	8605-017	Crankcase Heater	X	X		X	X		X	X	
17	8605-018	Crankcase Heater			X			X			X
18	8407-003	Step-Down Transformer 1.5 KVA									
18	8407-004	Step-Down Transformer 2.0 KVA						X			X
19	3000-1222	Compressor Power Lead	X			X			X		
19	3000-1224	Compressor Power Lead					X	X		X	X
19	3000-1230	Compressor Power Lead									
19	3000-1231	Compressor Power Lead		X	X						
20	3000-1223	Compressor Staging Solenoid Lead	X	X	X	X	X	X	X	X	X
21	5201-001	Liquid Line Filter Drier	X	X	X	X	X	X	X	X	X
21	5201-002	Liquid Line Filter Drier				X	X	X	X	X	X

ⓐ = Optional

CONTROL PANEL



SEXP-449

CONTROL PANEL

Drawing No.	Part No.	Description	WA3S1-A	WA3S1-B	WA3S1-C	WA4S1-A	WA4S1-B	WA4S1-C	WA5S1-A	WA5S1-B	WA5S1-C
1	8607-024	Low Voltage Terminal Strip	X	X	X	X	X	X	X	X	X
2	8607-013	Terminal Block 2-Pole	X			X			X		
2	8607-014	Terminal Block 3-Pole		X	X		X	X		X	X
2	8607-015	Phenolic Insulator			X			X			X
4	8407-035	Transformer (50VA)	X	X		X	X		X	X	
4	8407-042	Transformer (50VA)			X			X			X
5	8401-025	Compressor Contactor	X			X			X		
5	8401-002	Compressor Contactor		X	X		X	X		X	X
6	8552-080	Compressor/Fan Capacitor	X								
6	8552-079	Compressor/Fan Capacitor				X					
6	8552-058	Compressor/Fan Capacitor							X		
6	8552-005	Outdoor Fan Capacitor		X			X			X	
6	8552-026	Outdoor Fan Capacitor			X			X			X
7	135-122	Wire Shield	X	X	X	X	X	X	X	X	X
8	8611-006	Ground Terminal	X	X	X	X	X	X	X	X	X
9	3000-1219	6-Pin Connector	X	X	X	X	X	X	X	X	X
10	8201-085	Phase Monitor (3-PH Only)		X	X		X	X		X	X
11	8201-062	Alarm Relay ①	X	X	X	X	X	X	X	X	X
12	8551-004	Motor Starting Device (1-PH Only)	X			X			X		
13	8201-009	Crankcase Heat Relay	X	X	X	X	X	X	X	X	X
14	117X139	Low Voltage Box	X	X	X	X	X	X	X	X	X
15	117X143	Control Panel	X	X	X	X	X	X	X	X	X
16	8607-017	Terminal Block ①	X	X	X	X	X	X	X	X	X
17	8201-088	Compressor Control Module	X	X	X	X	X	X	X	X	X
NS	4095-141	Wiring Diagram	X			X			X		
NS	4095-241	Wiring Diagram		X			X			X	
NS	4095-341	Wiring Diagram			X			X			X

NS = Not Shown

① = Optional

BLOWER ASSEMBLY

			WA3S1-A	WA3S1-B	WA3S1-C	WA4S1-A	WA4S1-B	WA4S1-C	WA5S1-A	WA5S1-B	WA5S1-C
1	5152-011	10 Inch Wheel (CW)	X	X	X	X	X	X	X	X	X
2	5152-012	10 Inch Wheel (CCW)	X	X	X	X	X	X	X	X	X
3	8106-041-0037	1/2 HP ECM Motor with Programmed Control	X	X	X						
3	8107-011-0039	3/4 HP ECM Motor with Programmed Control				X	X	X			
3	8107-011-0036	3/4 HP ECM Motor with Programmed Control							X	X	X
4	C8106-041-0037	Programmed Motor Control-Only	X	X	X						
4	C8107-011-0039	Programmed Motor Control-Only				X	X	X			
4	C8107-011-0036	Programmed Motor Control-Only							X	X	X
5	112-314	Blower Motor Control Bracket	X	X	X	X	X	X	X	X	X
6	8200-040	Motor Mount	X	X	X	X	X	X	X	X	X
7	5451-011	Grommets	6	6	6	6	6	6	6	6	6
8	105-881	Back Brace	X	X	X	X	X	X	X	X	X
9	105-880	Side Angle	4	4	4	4	4	4	4	4	4
10	103-389	Front Brace	X	X	X	X	X	X	X	X	X
11	151-101	Housing	2	2	2	2	2	2	2	2	2
12	144-166	Diffuser	2	2	2	2	2	2	2	2	2

