

---

# REPLACEMENT PARTS MANUAL

# WALL MOUNTED PACKAGE AIR CONDITIONER

Models: **W42A1**      **W42A1D**  
**W48A1**      **W48A1D**  
**W60A1**      **W60A1D**



## General Notes

- Revised and/or additional pages may be issued from time to time.
- A complete and current manual consists of pages shown in the following contents section.

## Important

- Contact the installing and/or local Bard distributor for all parts requirements. Make sure you have the complete model and serial number available from the unit rating plates.

## Contents

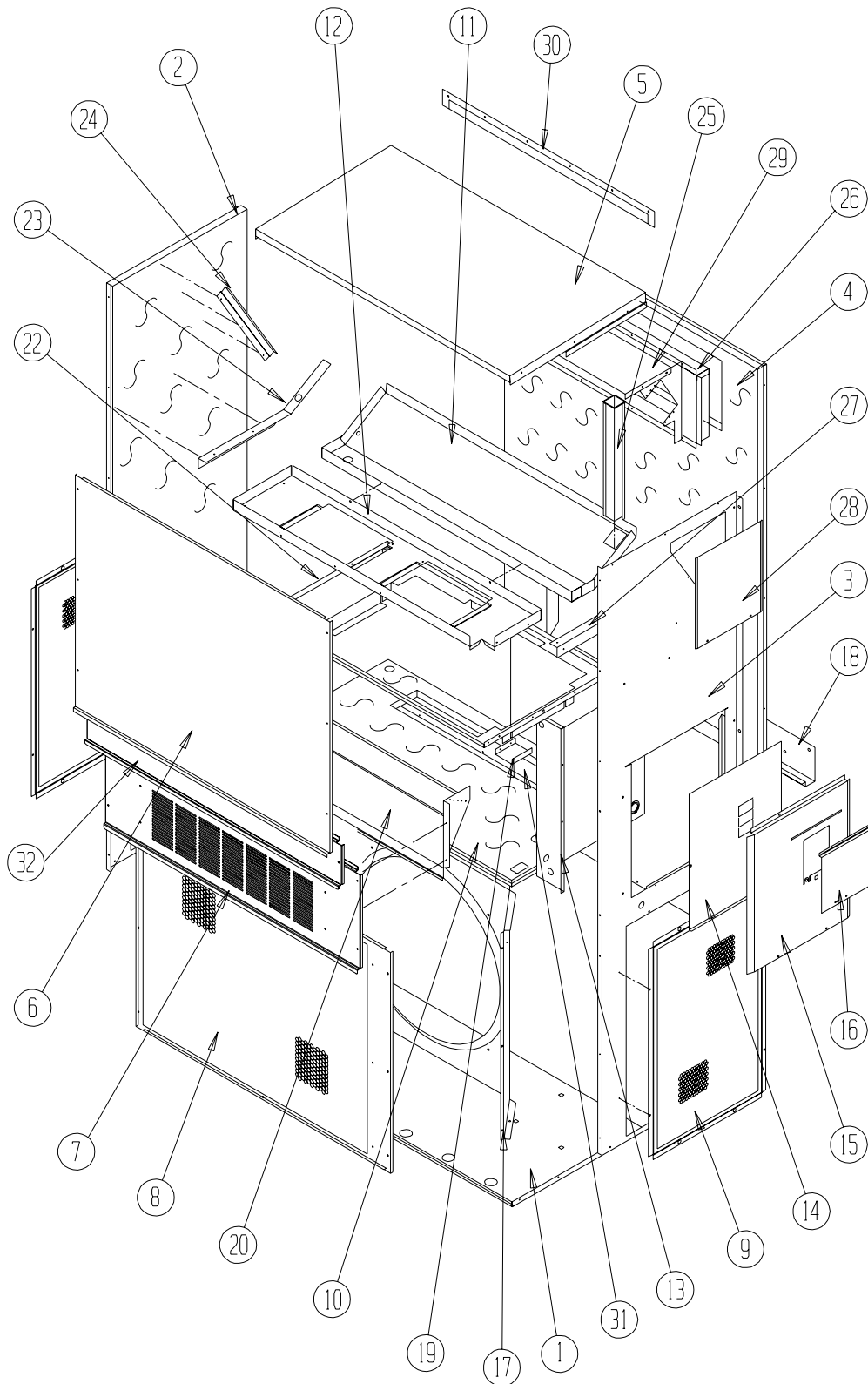
| Description           | Page |
|-----------------------|------|
| Cabinet Components    |      |
| ♦ Exploded View ..... | 2    |
| ♦ Usage List .....    | 3    |
| ♦ Usage List .....    | 4    |
| Functional Components |      |
| ♦ Exploded View ..... | 5    |
| ♦ Usage List .....    | 6    |
| ♦ Usage List .....    | 7    |
| Control Panel         |      |
| ♦ Exploded View ..... | 8    |
| ♦ Usage List .....    | 9    |
| ♦ Usage List .....    | 10   |
| ♦ Blank Page .....    | 11   |
| ♦ Exploded View ..... | 12   |
| ♦ Usage List .....    | 13   |
| Blower Assembly       |      |
| ♦ Exploded View ..... | 14   |
| ♦ Usage List .....    | 14   |



Bard Manufacturing Company, Inc.  
Bryan, Ohio 43506  
*Since 1914...Moving ahead, just as planned.*

Manual: 2110-481G  
Supersedes: 2110-481F  
File: Tab 16  
Date: 08-20-12

# CABINET COMPONENTS



SEXP-511

**This drawing is referenced in Tables on Pages 3 and 4**

# CABINET COMPONENTS

| Dwg. No. | Part Number            | Description                                       | W42A1-A, B, E | W42A1-C, F | W42A1DA, B | W42A1DC | W48A1-A, B, E | W48A1-C, F | W48A1DA, B | W48A1DC |
|----------|------------------------|---|---------------|------------|------------|---------|---------------|------------|------------|---------|
| 1        | S127X214               | Lower Base  | X             | X          | X          | X       | X             | X          | X          | X       |
| 1        | S127X369 ③             | Lower Base  | X             | X          | X          | X       | X             | X          | X          | X       |
| 2        | S500-262-* ①           | Left Side   | X             | X          | X          | X       | X             | X          | X          | X       |
| 2        | S500-464 ②             | Left Side   | X             | X          | X          | X       | X             | X          | X          | X       |
| 2        | S500-518 ③             | Left Side   | X             | X          | X          | X       | X             | X          | X          | X       |
| 3        | S500-261-* ①           | Right Side  | X             | X          | X          | X       | X             | X          | X          | X       |
| 3        | S500-463 ②             | Right Side  | X             | X          | X          | X       | X             | X          | X          | X       |
| 3        | S500-517 ③             | Right Side  | X             | X          | X          | X       | X             | X          | X          | X       |
| 4        | S508-098               | Back  | X             | X          | X          | X       | X             | X          | X          | X       |
| 4        | S508-191 ②             | Back  | X             | X          | X          | X       | X             | X          | X          | X       |
| 4        | S508-221 ③             | Back  | X             | X          | X          | X       | X             | X          | X          | X       |
| 5        | S506-142-* ①           | Top   | X             | X          | X          | X       | X             | X          | X          | X       |
| 5        | S506-251 ②             | Top   | X             | X          | X          | X       | X             | X          | X          | X       |
| 5        | S506-274 ③             | Top   | X             | X          | X          | X       | X             | X          | X          | X       |
| 6        | S515-144-* ①           | Upper Front                                       | X             | X          | X          | X       | X             | X          | X          | X       |
| 6        | S514-142 ②             | Upper Front                                       | X             | X          | X          | X       | X             | X          | X          | X       |
| 6        | S514-162 ③             | Upper Front                                       | X             | X          | X          | X       | X             | X          | X          | X       |
| 7        | S553-383-* ①           | Vent Option Door                                  | X             | X          | X          | X       | X             | X          | X          | X       |
| 7        | S553-408-* ①           | Vent Option Door with ERV                         | X             | X          | X          | X       | X             | X          | X          | X       |
| 7        | S552-456 ②             | Vent Option Door                                  | X             | X          | X          | X       | X             | X          | X          | X       |
| 7        | S553-449 ③             | Vent Option Door                                  | X             | X          | X          | X       | X             | X          | X          | X       |
| 8        | 118-048-* ①            | Condenser Grille                                  | X             | X          | X          | X       | X             | X          | X          | X       |
| 8        | 118-064 ②              | Condenser Grille                                  | X             | X          | X          | X       | X             | X          | X          | X       |
| 8        | 118-072 ③              | Condenser Grille                                  | X             | X          | X          | X       | X             | X          | X          | X       |
| 9        | 118-057-* ①            | Side Grille                                       | 2             | 2          | 2          | 2       | 2             | 2          | 2          | 2       |
| 9        | 118-063 ②              | Side Grille                                       | 2             | 2          | 2          | 2       | 2             | 2          | 2          | 2       |
| 9        | 118-073 ③              | Side Grille                                       | 2             | 2          | 2          | 2       | 2             | 2          | 2          | 2       |
| 10       | S521X258               | Condenser Partition                               | X             | X          | X          | X       | X             | X          | X          | X       |
| 11       | S123-102               | Drain Pan   | X             | X          | X          | X       | X             | X          | X          | X       |
| 12       | 121X216                | Blower Partition                                  | X             | X          | X          | X       | X             | X          | X          | X       |
| 13       | Control Panel Assembly | See Control Panel Assembly Drawing and Parts List | X             | X          | X          | X       | X             | X          | X          | X       |
| 14       | S132-114               | Control Panel Cover (Inner)                       | X             |            | X          |         | X             |            | X          |         |
| 14       | S132-171               | Control Panel Cover (Inner)                       |               | X          |            | X       |               | X          |            | X       |
| 15       | S533-113-* ①           | Control Panel Cover (Outer)                       | X             | X          | X          | X       | X             | X          | X          | X       |
| 15       | S533-185 ②             | Control Panel Cover (Outer)                       | X             | X          | X          | X       | X             | X          | X          | X       |
| 15       | S533-195 ③             | Control Panel Cover (Outer)                       | X             | X          | X          | X       | X             | X          | X          | X       |
| 16       | S153-218-* ①           | Disconnect Access Door                            | X             | X          | X          | X       | X             | X          | X          | X       |
| 16       | S153-387 ②             | Disconnect Access Door                            | X             | X          | X          | X       | X             | X          | X          | X       |
| 16       | S153-405 ③             | Disconnect Access Door                            | X             | X          | X          | X       | X             | X          | X          | X       |
| 17       | 125-024                | Fan Shroud  | X             | X          | X          | X       | X             | X          | X          | X       |
| 17       | 125-058 ③              | Fan Shroud  | X             | X          | X          | X       | X             | X          | X          | X       |
| 18       | 113-140                | Bottom Mounting Bracket                           | X             | X          | X          | X       | X             | X          | X          | X       |
| 19       | 137-209                | Fill  | X             | X          | X          | X       | X             | X          | X          | X       |
| 20       | BFAD-5                 | Fresh Air Damper Assembly                         | X             | X          | X          | X       | X             | X          | X          | X       |
| 22       | 131X099                | Filter Tray                                       | X             | X          | X          | X       | X             | X          | X          | X       |
| 23       | 105X877                | Left Side Support                                 | X             | X          | X          | X       | X             | X          | X          | X       |
| 24       | 147-046                | Left Evaporator Support                           | X             | X          | X          | X       | X             | X          | X          | X       |
| 25       | 135-128                | Raceway   | X             | X          | X          | X       | X             | X          | X          | X       |
| 26       | S111X034               | Outlet Air Frame Assembly                         | X             | X          | X          | X       | X             | X          | X          | X       |
| 27       | 105X878                | Right Side Support                                | X             | X          | X          | X       | X             | X          | X          | X       |
| 28       | S143-042-* ①           | Right Side Cover Plate (Outer)                    | X             | X          | X          | X       | X             | X          | X          | X       |
| 28       | S143-105 ②             | Right Side Cover Plate (Outer)                    | X             | X          | X          | X       | X             | X          | X          | X       |
| 28       | S143-125 ③             | Right Side Cover Plate (Outer)                    | X             | X          | X          | X       | X             | X          | X          | X       |
| 29       | 135-129                | Heat Shield                                       | X             | X          | X          | X       | X             | X          | X          | X       |
| 30       | 113-150-* ①            | Top Rain Flashing                                 | X             | X          | X          | X       | X             | X          | X          | X       |
| 30       | 113-359 ③              | Top Rain Flashing                                 | X             | X          | X          | X       | X             | X          | X          | X       |
| 31       | S536-258               | Cond. Partition Block Off Plate                   | X             | X          | X          | X       | X             | X          | X          | X       |
| 32       | S553-384-* ①           | Filter Door Assembly                              | X             | X          | X          | X       | X             | X          | X          | X       |
| 32       | S552-457 ②             | Filter Door Assembly                              | X             | X          | X          | X       | X             | X          | X          | X       |
| 32       | S553-450 ③             | Filter Door Assembly                              | X             | X          | X          | X       | X             | X          | X          | X       |

① Exterior cabinet parts are manufactured with various paint color options. To ensure that you receive the proper paint color, you must include the complete model and serial number of the unit for which cabinet parts are being ordered.

② Note: Exterior cabinet parts are manufactured from aluminum Code "A"

③ Note: Exterior cabinet parts are manufactured from stainless steel Code "S"

# CABINET COMPONENTS

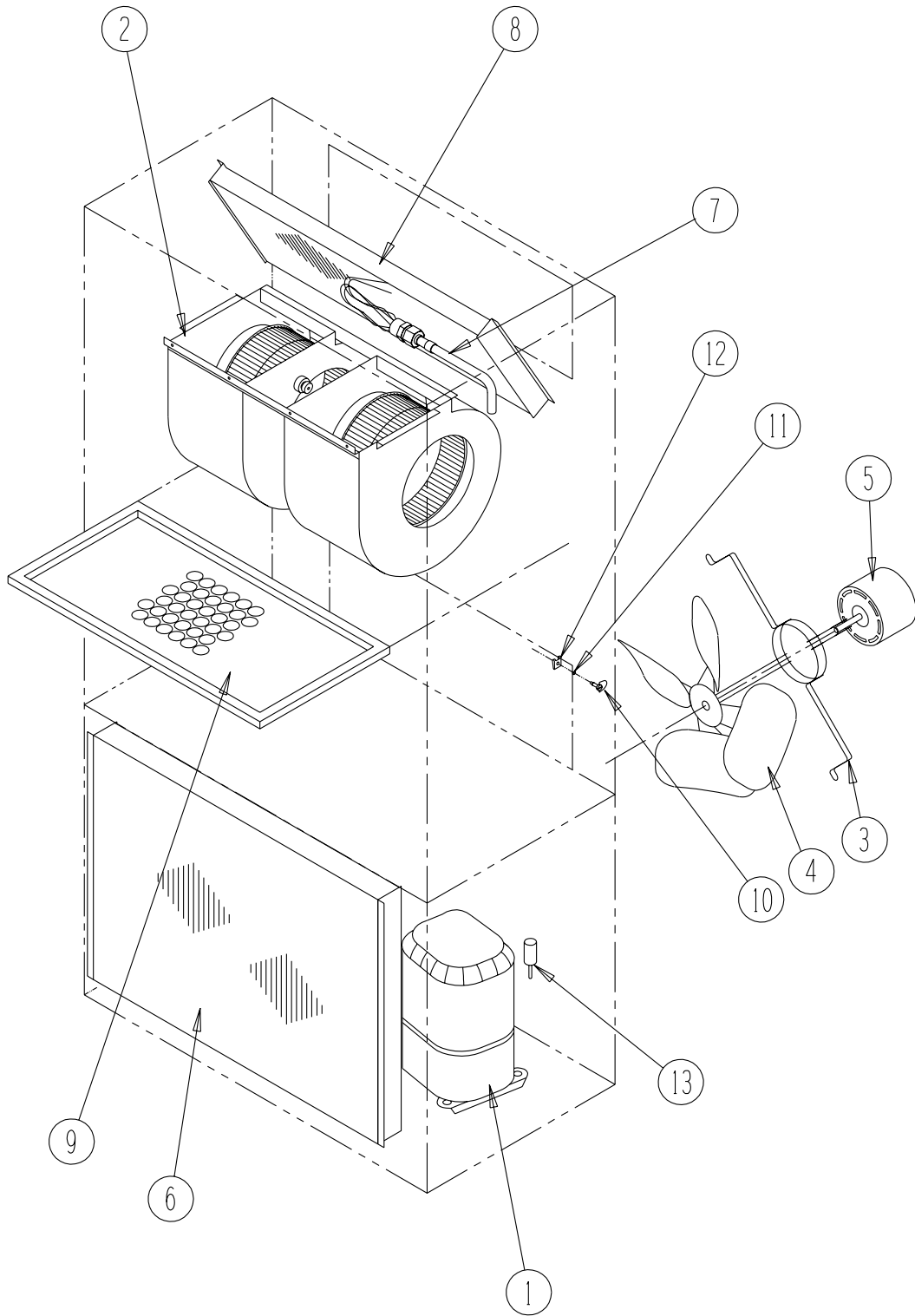
| Dwg. No. | Part Number         | Description                               | W60A1-A, B, E | W60A1-C, F | W60A1DA, B | W60A1DC |
|----------|---------------------|---|---------------|------------|------------|---------|
| 1        | S127X214            | Lower Base                                | X             | X          | X          | X       |
| 1        | S127X369 ③          | Lower Base                                | X             | X          | X          | X       |
| 2        | S500-262-* ①        | Left Side                                 | X             | X          | X          | X       |
| 2        | S500-464 ②          | Left Side                                 | X             | X          | X          | X       |
| 2        | S500-518 ③          | Left Side                                 | X             | X          | X          | X       |
| 3        | S500-261-* ①        | Right Side                                | X             | X          | X          | X       |
| 3        | S500-463 ②          | Right Side                                | X             | X          | X          | X       |
| 3        | S500-517 ③          | Right Side                                | X             | X          | X          | X       |
| 4        | S508-098            | Back                                      | X             | X          | X          | X       |
| 4        | S508-191 ②          | Back                                      | X             | X          | X          | X       |
| 4        | S508-221 ③          | Back                                      | X             | X          | X          | X       |
| 5        | S506-142-* ①        | Top                                       | X             | X          | X          | X       |
| 5        | S506-251 ②          | Top                                       | X             | X          | X          | X       |
| 5        | S506-274 ③          | Top                                       | X             | X          | X          | X       |
| 6        | S515-144-* ①        | Upper Front                               | X             | X          | X          | X       |
| 6        | S514-142 ②          | Upper Front                               | X             | X          | X          | X       |
| 6        | S514-162 ③          | Upper Front                               | X             | X          | X          | X       |
| 7        | S553-383-* ①        | Vent Option Door                          | X             | X          | X          | X       |
| 7        | S552-408-* ①        | Vent Option Door with ERV                 | X             | X          | X          | X       |
| 7        | S552-456 ②          | Vent Option Door                          | X             | X          | X          | X       |
| 7        | S553-449 ③          | Vent Option Door                          | X             | X          | X          | X       |
| 8        | 118-048-* ①         | Condenser Grille                          | X             | X          | X          | X       |
| 8        | 118-064 ②           | Condenser Grille                          | X             | X          | X          | X       |
| 8        | 118-072 ③           | Condenser Grille                          | X             | X          | X          | X       |
| 9        | 118-057-* ①         | Side Grille                               | 2             | 2          | 2          | 2       |
| 9        | 118-063 ②           | Side Grille                               | 2             | 2          | 2          | 2       |
| 9        | 118-073 ③           | Side Grille                               | 2             | 2          | 2          | 2       |
| 10       | S521X258            | Condenser Partition                       | X             | X          | X          | X       |
| 11       | S123-102            | Drain Pan                                 | X             | X          | X          | X       |
| 12       | 121X216             | Blower Partition                          | X             | X          | X          | X       |
| 13       | Control Panel Assy. | See Control Panel Assy. Dwg. & Parts List | X             | X          | X          | X       |
| 14       | S132-114            | Control Panel Cover (Inner)               | X             |            | X          |         |
| 14       | S132-171            | Control Panel Cover (Inner)               |               | X          |            | X       |
| 15       | S533-113-* ①        | Control Panel Cover (Outer)               | X             | X          | X          | X       |
| 15       | S533-185 ②          | Control Panel Cover (Outer)               | X             | X          | X          | X       |
| 15       | S533-195 ③          | Control Panel Cover (Outer)               | X             | X          | X          | X       |
| 16       | S153-218-* ①        | Disconnect Access Door                    | X             | X          | X          | X       |
| 16       | S153-387 ②          | Disconnect Access Door                    | X             | X          | X          | X       |
| 16       | S153-405 ③          | Disconnect Access Door                    | X             | X          | X          | X       |
| 17       | 125-024             | Fan Shroud                                | X             | X          | X          | X       |
| 17       | 125-058 ③           | Fan Shroud                                | X             | X          | X          | X       |
| 18       | 113-140             | Bottom Mounting Bracket                   | X             | X          | X          | X       |
| 19       | 137-209             | Fill                                      | X             | X          | X          | X       |
| 20       | BFAD-5              | Fresh Air Damper Assembly                 | X             | X          | X          | X       |
| 22       | 131X099             | Filter Tray                               | X             | X          | X          | X       |
| 23       | 105X877             | Left Side Support                         | X             | X          | X          | X       |
| 24       | 147-046             | Left Evaporator Support                   | X             | X          | X          | X       |
| 25       | 135-128             | Raceway                                   | X             | X          | X          | X       |
| 26       | S111X034            | Outlet Air Frame Assembly                 | X             | X          | X          | X       |
| 27       | 105X878             | Right Side Support                        | X             | X          | X          | X       |
| 28       | S143-042-* ①        | Right Side Cover Plate (Outer)            | X             | X          | X          | X       |
| 28       | S143-105 ②          | Right Side Cover Plate (Outer)            | X             | X          | X          | X       |
| 28       | S143-125 ③          | Right Side Cover Plate (Outer)            | X             | X          | X          | X       |
| 29       | 135-129             | Heat Shield                               | X             | X          | X          | X       |
| 30       | 113-150-* ①         | Top Rain Flashing                         | X             | X          | X          | X       |
| 30       | 113-359 ③           | Top Rain Flashing                         | X             | X          | X          | X       |
| 31       | S536-258            | Cond. Partition Block Off Plate           | X             | X          | X          | X       |
| 32       | S553-384-* ①        | Filter Door Assembly                      | X             | X          | X          | X       |
| 32       | S552-457 ②          | Filter Door Assembly                      | X             | X          | X          | X       |
| 32       | S553-450 ③          | Filter Door Assembly                      | X             | X          | X          | X       |

① Exterior cabinet parts are manufactured with various paint color options. To ensure that you receive the proper paint color, you must include the complete model and serial number of the unit for which cabinet parts are being ordered.

② Note: Exterior cabinet parts are manufactured from aluminum Code "A"

③ Note: Exterior cabinet parts are manufactured from stainless steel Code "S"

# FUNCTIONAL COMPONENTS



SEXP-177

This Exploded View references Tables on Page 6 and 7

# FUNCTIONAL COMPONENTS

| Dwg. No. | Part Number | Description                                 | W42A1-A | W42A1-B, E | W42A1-C | W42A1-F | W42A1DA | W42A1DB | W42A1DC |
|----------|-------------|---|---------|------------|---------|---------|---------|---------|---------|
| 1        | 8000-318    | Compressor                                  | X       |            |         |         | X       |         |         |
| 1        | 8000-319    | Compressor                                  |         | X          |         |         |         | X       |         |
| 1        | 8000-320    | Compressor                                  |         |            | X       | X       |         |         | X       |
| 2        | S900-183    | Blower Assembly                             | X       | X          |         | X       | X       | X       |         |
| 2        | S900-184    | Blower Assembly                             |         |            | X       |         |         |         | X       |
| 3        | 8200-004    | Fan Motor Mount                             | X       | X          | X       | X       | X       | X       | X       |
| 4        | 5151-027    | Fan Blade                                   | X       | X          | X       | X       | X       | X       | X       |
| 5        | 8105-030    | Condenser Motor                             |         |            | X       |         |         |         | X       |
| 5        | 8105-039    | Condenser Motor                             | X       | X          |         | X       | X       | X       |         |
| 6        | 5051-151BX  | Condenser Coil                              | X       | X          | X       | X       | X       | X       | X       |
| 7        | 5651-0178   | Expansion Valve Assembly                    |         |            |         |         | X       | X       | X       |
| 7        | 800-0367    | Distributor Assembly                        | X       | X          | X       | X       |         |         |         |
| 8        | 917-0077BX  | Evaporator Coil                             |         |            |         |         | X       | X       | X       |
| 8        | 5060-113BX  | Evaporator Coil                             | X       | X          | X       | X       |         |         |         |
| 9        | 7004-016    | Air Filter 1" Throw-Away                    | X       | X          | X       | X       | X       | X       | X       |
| 9        | 7003-030    | Air Filter 1" Washable                      | X       | X          | X       | X       | X       | X       | X       |
| 9        | 7004-027    | Air Filter 2" Pleated                       | X       | X          | X       | X       | X       | X       | X       |
| 10       | 1171-022    | 1/4 Turn Fastener                           | X       | X          | X       | X       | X       | X       | X       |
| 11       | 1171-024    | 1/4 Turn Retainer                           | X       | X          | X       | X       | X       | X       | X       |
| 12       | 1171-023    | 1/4 Receptacle                              | X       | X          | X       | X       | X       | X       | X       |
| 13       | 1804-0385   | High Pressure Switch (Flare)                | X       | X          | X       | X       | X       | X       | X       |
| 13       | 1804-0386   | Low Pressure Switch (Flare)                 | X       | X          | X       | X       | X       | X       | X       |
| NS       | 5201-002    | Filter Drier                                | X       | X          | X       | X       | X       | X       | X       |
| NS       | 5650-042    | Rev. Valve Solenoid, Red Casing (Ranco)     |         |            |         |         | X       | X       | X       |
| NS       | 5650-046    | Rev. Valve Solenoid, Black Casing (San Hua) |         |            |         |         | X       | X       | X       |
| NS       | 5650-045    | Three-Way Valve with 24V Solenoid Coil      |         |            |         |         | X       | X       | X       |
| NS       | 800-0271    | Drain Back Capillary                        |         |            |         |         | X       | X       | X       |
| NS       | CMA-28      | Low Ambient Control (Flare) ①               | X       | X          | X       | X       |         |         |         |

NS – Not Shown

① – Optional on these models

This Table references Exploded View on Page 5

# FUNCTIONAL COMPONENTS

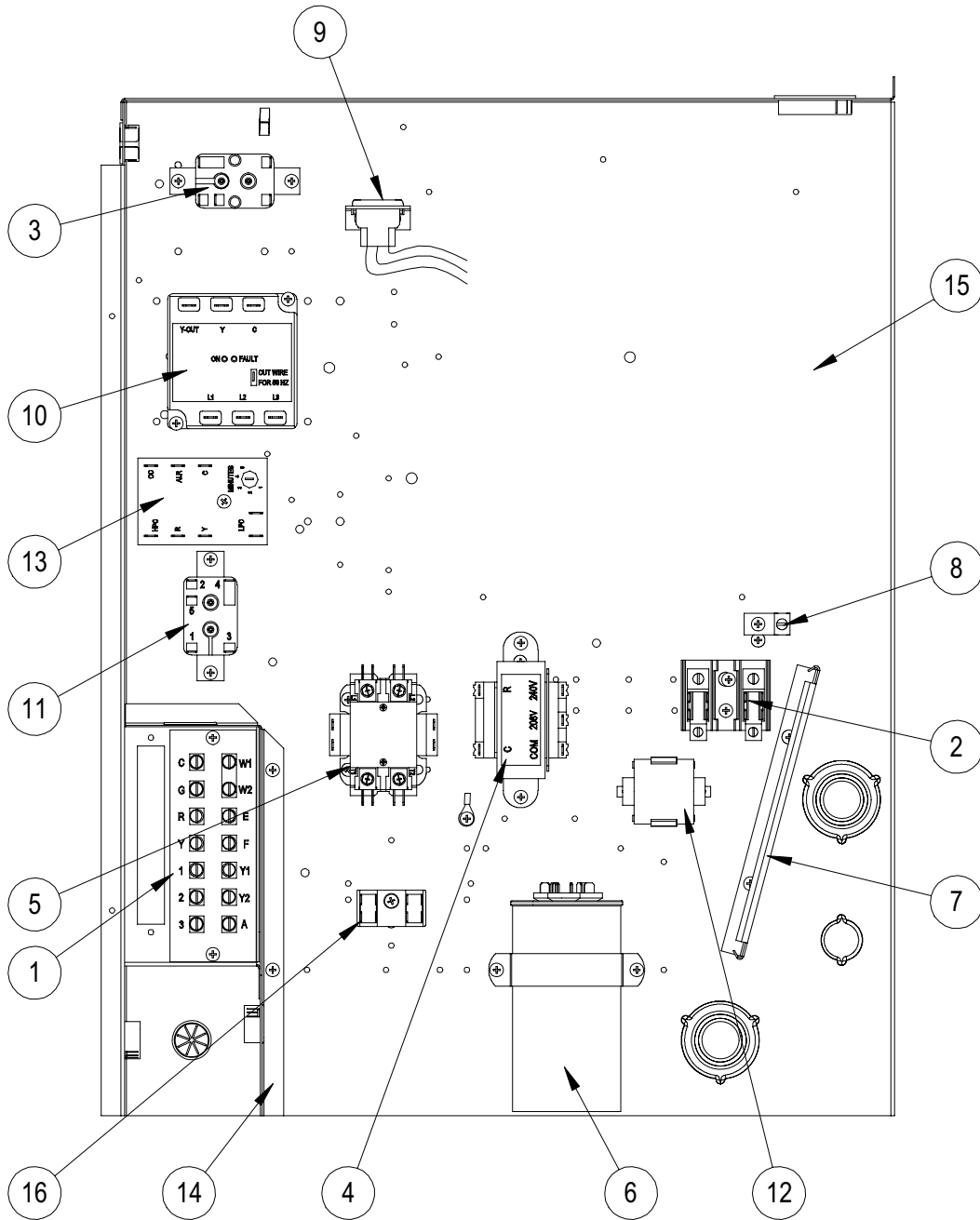
| Dwg. No. | Part Number | Description                                 | W48A1-A | W48A1-B, E | W48A1-C | W48A1-F | W48A1DA | W4A18DB | W48A1DC | W60A1-A | W60A1-B, E | W60A1-C | W60A1-F | W60A1DA | W60A1DB | W60A1DC |
|----------|-------------|---|---------|------------|---------|---------|---------|---------|---------|---------|------------|---------|---------|---------|---------|---------|
| 1        | 8000-324    | Compressor                                  |         |            |         |         |         |         |         | X       |            |         |         | X       |         |         |
| 1        | 8000-325    | Compressor                                  |         | X          |         |         |         | X       |         |         | X          |         |         |         | X       |         |
| 1        | 8000-344    | Compressor                                  |         |            | X       | X       |         |         | X       |         |            |         |         |         |         |         |
| 1        | 8000-345    | Compressor                                  |         |            |         |         |         |         | X       |         |            |         |         |         |         |         |
| 1        | 8000-343    | Compressor                                  | X       |            |         |         | X       |         |         |         |            |         |         |         |         |         |
| 1        | 8000-326    | Compressor                                  |         |            |         |         |         |         |         |         |            | X       | X       |         |         | X       |
| 2        | S900-183    | Blower Assembly                             | X       | X          |         | X       | X       | X       |         |         |            |         |         |         |         |         |
| 2        | S900-184    | Blower Assembly                             |         |            | X       |         |         |         | X       |         |            |         |         |         |         |         |
| 2        | S900-185    | Blower Assembly                             |         |            |         |         |         |         |         | X       | X          |         |         | X       | X       |         |
| 2        | S900-186    | Blower Assembly                             |         |            |         |         |         |         |         |         |            | X       | X       |         |         | X       |
| 3        | 8200-004    | Fan Motor Mount                             | X       | X          | X       | X       | X       | X       | X       | X       | X          | X       | X       | X       | X       | X       |
| 4        | 5151-027    | Fan Blade                                   | X       | X          | X       | X       | X       | X       | X       | X       | X          | X       | X       | X       | X       | X       |
| 5        | 8105-030    | Condenser Motor                             |         |            | X       |         |         |         | X       |         |            | X       | X       |         |         | X       |
| 5        | 8105-039    | Condenser Motor                             | X       | X          |         | X       | X       | X       |         | X       | X          |         |         | X       | X       |         |
| 6        | 5051-151BX  | Condenser Coil                              | X       | X          | X       | X       | X       | X       |         |         |            |         |         |         |         |         |
| 6        | 5051-083BX  | Condenser Coil                              |         |            |         |         |         |         | X       | X       | X          | X       | X       | X       | X       | X       |
| 7        | 800-0369    | Distributor Assembly                        | X       | X          | X       | X       |         |         |         |         |            |         |         |         |         |         |
| 7        | 800-0370    | Distributor Assembly                        |         |            |         |         |         |         |         | X       | X          | X       | X       |         |         |         |
| 7        | 905-0400    | Expansion Valve Assembly                    |         |            |         |         | X       | X       | X       |         |            |         |         |         |         |         |
| 7        | 905-0401    | Expansion Valve Assembly                    |         |            |         |         |         |         |         |         |            |         |         | X       | X       | X       |
| 8        | 5060-070BX  | Evaporator Coil                             | X       | X          | X       | X       |         |         |         |         |            |         |         |         |         |         |
| 8        | 5060-082BX  | Evaporator Coil                             |         |            |         |         |         |         |         | X       | X          | X       | X       |         |         |         |
| 8        | 917-0042BX  | Evaporator Coil                             |         |            |         |         | X       | X       | X       |         |            |         |         |         |         |         |
| 8        | 917-0044BX  | Evaporator Coil                             |         |            |         |         |         |         |         |         |            |         |         | X       | X       | X       |
| 9        | 7004-016    | Air Filter 1" Throw-Away                    | X       | X          | X       | X       | X       | X       | X       | X       | X          | X       | X       | X       | X       | X       |
| 9        | 7003-030    | Air Filter 1" Washable                      | X       | X          | X       | X       | X       | X       | X       | X       | X          | X       | X       | X       | X       | X       |
| 9        | 7004-027    | Air Filter 2" Pleated                       | X       | X          | X       | X       | X       | X       | X       | X       | X          | X       | X       | X       | X       | X       |
| 10       | 1171-022    | 1/4 Turn Fastener                           | X       | X          | X       | X       | X       | X       | X       | X       | X          | X       | X       | X       | X       | X       |
| 11       | 1171-024    | 1/4 Turn Retainer                           | X       | X          | X       | X       | X       | X       | X       | X       | X          | X       | X       | X       | X       | X       |
| 12       | 1171-023    | 1/4 Receptacle                              | X       | X          | X       | X       | X       | X       |         |         |            |         |         |         |         |         |
| 13       | 1804-0385   | High Pressure Switch (Flare)                | X       | X          | X       | X       | X       | X       | X       | X       | X          | X       | X       | X       | X       | X       |
| 13       | 1804-0386   | Low Pressure Switch (Flare)                 | X       | X          | X       | X       | X       | X       | X       | X       | X          | X       | X       | X       | X       | X       |
| NS       | 5201-002    | Filter Drier                                | X       | X          | X       | X       | X       | X       | X       | X       | X          | X       | X       | X       | X       | X       |
| NS       | 5650-042    | Rev. Valve Solenoid, Red Casing (Ranco)     |         |            |         |         | X       | X       | X       |         |            |         |         | X       | X       | X       |
| NS       | 5650-046    | Rev. Valve Solenoid, Black Casing (San Hua) |         |            |         |         | X       | X       | X       |         |            |         |         | X       | X       | X       |
| NS       | 5650-045    | Three-Way Valve with 24V Solenoid Coil      |         |            |         |         | X       | X       | X       |         |            |         |         | X       | X       | X       |
| NS       | 800-0272    | Drain Back Capillary                        |         |            |         |         | X       | X       | X       |         |            |         |         | X       | X       | X       |
| NS       | CMA-28      | Low Ambient Control (Flare) ①               | X       | X          | X       | X       |         |         |         | X       | X          | X       | X       |         |         |         |

NS – Not Shown

① – Optional on these models

**This Table references Exploded View on Page 5**

# CONTROL PANEL



SEXP-512

**This drawing is referenced in Tables on Pages 9 and 10**



# CONTROL PANEL

| Drawing No. | Part No.  | Description                  | W42A1-A | W42A1-B | W42A1-C | W42A1-E | W42A1-F | W48A1-A | W48A1-B | W48A1-C | W48A1-E | W48A1-F |
|-------------|-----------|------------------------------|---------|---------|---------|---------|---------|---------|---------|---------|---------|---------|
| 1           | 8607-024  | Low Voltage Terminal Strip   | X       | X       | X       | X       | X       | X       | X       | X       | X       | X       |
| 2           | 8607-013  | Terminal Block 2 Pole        | X       |         |         |         | 2       | X       |         |         |         | 2       |
| 2           | 8607-014  | Terminal Block 3 Pole        |         | X       | X       | X       |         |         | X       | X       | X       |         |
| 2           | 8607-015  | Phenolic Insulator           |         |         | X       |         |         |         |         | X       |         |         |
| 3           | 8201-009  | Blower Control Relay         | X       | X       |         | X       | X       | X       | X       |         | X       | X       |
| 3           | 8201-032  | Blower Control Relay         |         |         | X       |         |         |         |         | X       |         |         |
| 4           | 8407-034  | Transformer                  | X       | X       |         | X       | X       | X       | X       |         | X       | X       |
| 4           | 8407-042  | Transformer                  |         |         | X       |         |         |         |         | X       |         |         |
| 5           | 8401-002  | Compressor Contactor         |         | X       | X       | X       | X       |         | X       | X       | X       | X       |
| 5           | 8401-025  | Compressor Contactor         | X       |         |         |         |         | X       |         |         |         |         |
| 6           | 8552-005  | Outdoor Motor Capacitor      |         | X       |         | X       | X       |         | X       |         | X       | X       |
| 6           | 8552-026  | Outdoor Motor Capacitor      |         |         | X       |         |         |         |         | X       |         |         |
| 6           | 8552-079  | Compressor Capacitor         | X       |         |         |         |         |         |         |         |         |         |
| 6           | 8552-089  | Compressor Capacitor         |         |         |         |         |         | X       |         |         |         |         |
| 7           | 135-130   | Wire Shield                  | X       | X       | X       | X       | X       | X       | X       | X       | X       | X       |
| 8           | 8611-006  | Ground Terminal              | X       | X       | X       | X       | X       | X       | X       | X       | X       | X       |
| 9           | 3000-1017 | 6 Pin Connector              | X       | X       | X       | X       | X       | X       | X       | X       | X       | X       |
| 10          | 8201-085  | Phase Monitor                |         | X       | X       | X       | X       |         | X       | X       | X       | X       |
| 11          | 8201-062  | Alarm Relay ①                | X       | X       | X       | X       | X       | X       | X       | X       | X       | X       |
| 12          | 8551-004  | Start Device                 | X       |         |         |         |         | X       |         |         |         |         |
| 13          | 8201-088  | Compressor Control Module    | X       | X       | X       | X       | X       | X       | X       | X       | X       | X       |
| 14          | 117X139   | Low Voltage Box              | X       | X       | X       | X       | X       | X       | X       | X       | X       | X       |
| 15          | 117X143   | Control Panel                | X       | X       | X       | X       | X       | X       | X       | X       | X       | X       |
| 16          | 8607-017  | Terminal Block ①             | X       | X       | X       | X       | X       | X       | X       | X       | X       | X       |
| NS          | 8615-040  | Circuit Breaker 50A 2 Pole ② | X       |         |         |         |         | X       |         |         |         |         |
| NS          | 8615-042  | Circuit Breaker 35A 3 Pole ② |         | X       |         | X       |         |         | X       |         | X       |         |
| NS          | 8615-067  | Toggle Disconnect ②          |         |         | X       |         | X       |         |         | X       |         | X       |
| NS          | 4095-144  | Wiring Diagram               | X       |         |         |         |         | X       |         |         |         |         |
| NS          | 4095-242  | Wiring Diagram               |         | X       |         |         |         |         | X       |         |         |         |
| NS          | 4095-343  | Wiring Diagram               |         |         | X       |         |         |         |         | X       |         |         |
| NS          | 4095-243  | Wiring Diagram               |         |         |         | X       |         |         |         |         | X       |         |
| NS          | 4095-632  | Wiring Diagram               |         |         |         |         | X       |         |         |         |         | X       |

① Optional on these models.

② Circuit breakers listed are for units without electric heat "0Z" models. Hot gas bypass models not available without electric heat. See Heater Replacement Parts Manual for units with electric heat.

NS = Not shown

**This Table is references drawing on Page 8**

# CONTROL PANEL

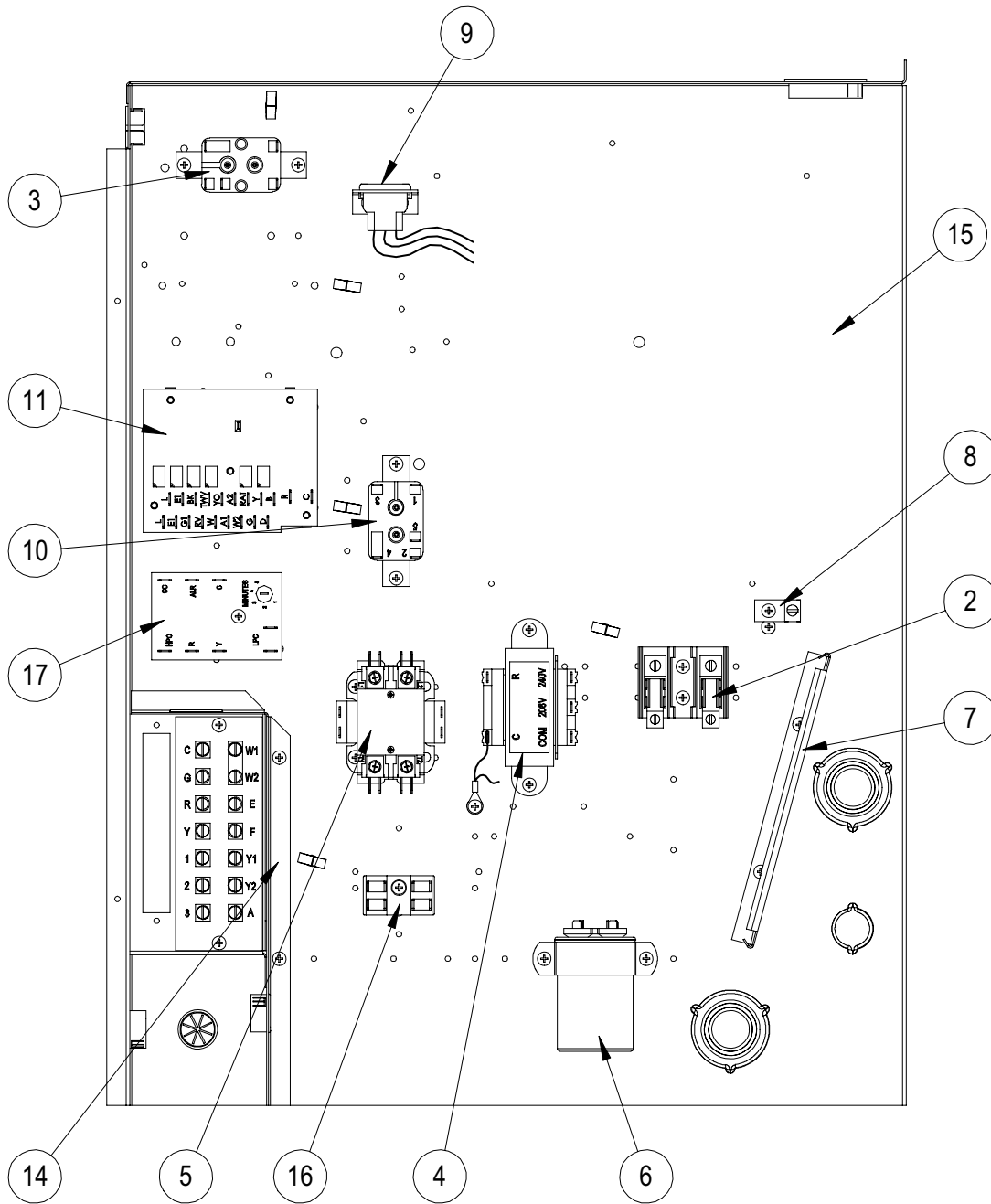
| Drawing No. | Part No.  | Description                  | W60A1-A | W60A1-B | W60A1-C | W60A1-E | W60A1-F |
|-------------|-----------|------------------------------|---------|---------|---------|---------|---------|
| 1           | 8607-024  | Low Voltage Terminal Strip   | X       | X       | X       | X       | X       |
| 2           | 8607-013  | Terminal Block 2 Pole        | X       |         |         |         | 2       |
| 2           | 8607-014  | Terminal Block 3 Pole        |         | X       | X       | X       |         |
| 2           | 8607-015  | Phenolic Insulator           |         |         | X       |         |         |
| 3           | 8201-009  | Blower Control Relay         | X       | X       |         | X       | X       |
| 3           | 8201-032  | Blower Control Relay         |         |         | X       |         |         |
| 4           | 8407-034  | Transformer                  | X       | X       |         | X       | X       |
| 4           | 8407-042  | Transformer                  |         |         | X       |         |         |
| 5           | 8401-002  | Compressor Contactor         |         | X       | X       | X       | X       |
| 5           | 8401-025  | Compressor Contactor         | X       |         |         |         |         |
| 6           | 8552-050  | Compressor Capacitor         | X       |         |         |         |         |
| 6           | 8552-050  | Outdoor Motor Capacitor      |         | X       |         |         |         |
| 6           | 8552-026  | Outdoor Motor Capacitor      |         |         | X       |         |         |
| 6           | 8552-005  | Outdoor Motor Capacitor      |         |         |         | X       | X       |
| 7           | 135-130   | Wire Shield                  | X       | X       | X       | X       | X       |
| 8           | 8611-006  | Ground Terminal              | X       | X       | X       | X       | X       |
| 9           | 3000-1017 | 6 Pin Connector              | X       | X       | X       | X       | X       |
| 10          | 8201-085  | Phase Monitor                |         | X       | X       | X       | X       |
| 11          | 8201-062  | Alarm Relay ①                | X       | X       | X       | X       | X       |
| 12          | 8551-004  | Start Device (PTCR) ①        | X       |         |         |         |         |
| 13          | 8201-088  | Compressor Control Module    | X       | X       | X       | X       | X       |
| 14          | 117X139   | Low Voltage Box              | X       | X       | X       | X       | X       |
| 15          | 117X143   | Control Panel                | X       | X       | X       | X       | X       |
| 16          | 8607-017  | Terminal Block ①             | X       | X       | X       | X       | X       |
| NS          | 8615-041  | Circuit Breaker 60A 2 Pole ② | X       |         |         |         |         |
| NS          | 8615-043  | Circuit Breaker 40A 3 Pole ② |         | X       |         | X       |         |
| NS          | 8615-067  | Toggle Disconnect ②          |         |         | X       |         | X       |
| NS          | 4095-144  | Wiring Diagram               | X       |         |         |         |         |
| NS          | 4095-242  | Wiring Diagram               |         | X       |         |         |         |
| NS          | 4095-343  | Wiring Diagram               |         |         | X       |         |         |
| NS          | 4095-243  | Wiring Diagram               |         |         |         | X       |         |
| NS          | 4095-632  | Wiring Diagram               |         |         |         |         | X       |

② Circuit breakers listed are for units without electric heat "0Z" models. Hot gas bypass models not available without electric heat. See Heater Replacement Parts Manual for units with electric heat.  
 NS = Not shown

This Table is references drawing on Page 8

***This Page Intentionally Left Blank***

# CONTROL PANEL



SEXP-513

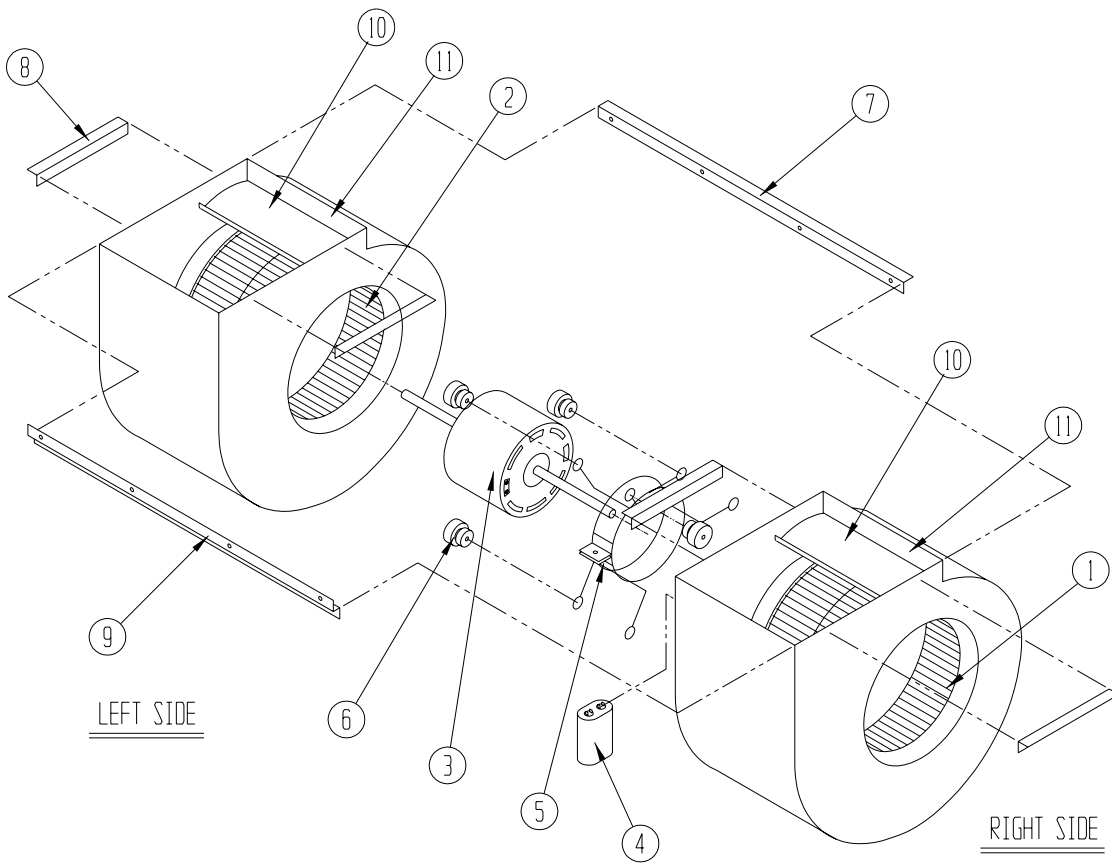
# CONTROL PANEL

| Dwg. No. | Part Number | Description                          | W42A1DA | W42A1DB | W42A1DC | W48A1DA | W48A1DB | W48A1DC | W60A1DA | W60A1DB | W60A1DC |
|----------|-------------|--------------------------------------|---------|---------|---------|---------|---------|---------|---------|---------|---------|
| 1        | 8607-024    | Low Voltage Terminal Strip           | X       | X       | X       | X       | X       | X       | X       | X       | X       |
| 2        | 8607-013    | Terminal Block 2 Pole                | X       |         |         | X       |         |         | X       |         |         |
| 2        | 8607-014    | Terminal Block 3 Pole                |         | X       | X       |         | X       | X       |         | X       | X       |
| 2        | 8607-015    | Phenolic Insulator                   |         |         | X       |         |         | X       |         |         | X       |
| 3        | 8201-009    | Blower Control Relay                 | X       | X       |         | X       | X       |         | X       | X       |         |
| 3        | 8201-032    | Blower Control Relay                 |         |         | X       |         |         | X       |         |         | X       |
| 4        | 8407-035    | Transformer                          | X       | X       |         | X       | X       |         | X       | X       |         |
| 4        | 8407-042    | Transformer                          |         |         | X       |         |         | X       |         |         | X       |
| 5        | 8401-002    | Compressor Contactor                 |         | X       | X       |         | X       | X       |         | X       | X       |
| 5        | 8401-025    | Compressor Contactor                 | X       |         |         | X       |         |         | X       |         |         |
| 6        | 8552-079    | Compressor Capacitor 45/10 MFD-370V  | X       |         |         |         |         |         |         |         |         |
| 6        | 8552-005    | Outdoor Motor Capacitor 10 MFD-370V  |         | X       |         |         | X       |         |         |         |         |
| 6        | 8552-026    | Outdoor Motor Capacitor 15 MFD-370V  |         |         | X       |         |         | X       |         |         | X       |
| 6        | 8552-089    | Compressor Capacitor 70/10 MFD-370V  |         |         |         | X       |         |         |         |         |         |
| 6        | 8552-058    | Compressor Capacitor 80/10 MFD-440V  |         |         |         |         |         |         | X       |         |         |
| 6        | 8552-004    | Outdoor Motor Capacitor 7.5 MFD-370V |         |         |         |         |         |         |         | X       |         |
| 7        | 135-130     | Wire Shield                          | X       | X       | X       | X       | X       | X       | X       | X       | X       |
| 8        | 8611-006    | Ground Terminal                      | X       | X       | X       | X       | X       | X       | X       | X       | X       |
| 9        | 3000-1017   | 6 Pin Connector                      | X       | X       | X       | X       | X       | X       | X       | X       | X       |
| 10       | 8201-062    | Relay                                | X       | X       | X       | X       | X       | X       | X       | X       | X       |
| 11       | 8201-113    | Logic Board                          | X       | X       | X       | X       | X       | X       | X       | X       | X       |
| 14       | 117X139     | Low Voltage Box                      | X       | X       | X       | X       | X       | X       | X       | X       | X       |
| 15       | 117X143     | Control Panel                        | X       | X       | X       | X       | X       | X       | X       | X       | X       |
| 16       | 8607-017    | Terminal Block (Optional)            | X       | X       | X       | X       | X       | X       | X       | X       | X       |
| 17       | 8201-088    | Compressor Control Module            | X       | X       | X       | X       | X       | X       | X       | X       | X       |
| NS       | 8615-040    | Circuit Breaker 50A 2 Pole ②         | X       |         |         | X       |         |         |         |         |         |
| NS       | 8615-042    | Circuit Breaker 35A 3 Pole ②         |         | X       |         |         | X       |         |         |         |         |
| NS       | 8615-067    | Toggle Disconnect ②                  |         |         | X       |         |         | X       |         |         | X       |
| NS       | 8615-041    | Circuit Breaker 60A 2 Pole ②         |         |         |         |         |         |         | X       |         |         |
| NS       | 8615-044    | Circuit Breaker 45A 3 Pole ②         |         |         |         |         |         |         |         | X       |         |
| NS       | 4095-145    | Wiring Diagram                       | X       |         |         | X       |         |         | X       |         |         |
| NS       | 4095-245    | Wiring Diagram                       |         | X       |         |         | X       |         |         | X       |         |
| NS       | 4095-345    | Wiring Diagram                       |         |         | X       |         |         | X       |         |         | X       |

② Circuit breakers listed are for units without electric heat "0Z" models. Hot gas bypass models not available without electric heat. See Heater Replacement Parts Manual for units with electric heat.

NS = Not shown

# BLOWER ASSEMBLY



SEXP-178

| Drawing No. | Part No. | Description            | 900-183 | 900-184 | 900-185 | 900-186 |
|-------------|----------|------------------------|---------|---------|---------|---------|
| 1           | 5152-011 | 10 Inch Wheel (CW)     |         |         | X       | X       |
| 1           | 5152-057 | 9 Inch Wheel (CW)      | X       | X       |         |         |
| 2           | 5152-012 | 10 Inch Wheel (CCW)    |         |         | X       | X       |
| 2           | 5152-058 | 9 Inch Wheel (CCW)     | X       | X       |         |         |
| 3           | 8106-030 | Blower Motor (230/208) | X       |         | X       |         |
| 3           | 8106-025 | Blower Motor (460)     |         | X       |         | X       |
| 4           | 8552-005 | Capacitor              | X       | X       | X       | X       |
| 5           | 8200-040 | Motor Mount            | X       | X       | X       | X       |
| 6           | 5451-011 | Grommets               | 6       | 6       | 6       | 6       |
| 7           | 105-881  | Back Brace             | X       | X       | X       | X       |
| 8           | 105-880  | Side Angle             | 4       | 4       | 4       | 4       |
| 9           | 103-389  | Front Brace            | X       | X       | X       | X       |
| 10          | 151-101  | Housing                | 2       | 2       | 2       | 2       |
| 11          | 144-166  | Diffuser               | 2       | 2       | 2       | 2       |