
REPLACEMENT PARTS MANUAL

WALL MOUNTED PACKAGE AIR CONDITIONER

Models: **W42L1**
W48L1
W60L1

General Notes

- Revised and/or additional pages may be issued from time to time.
- A complete and current manual consists of pages shown in the following contents section.

Important

- Contact the installing and/or local Bard distributor for all parts requirements. Make sure you have the complete model and serial number available from the unit rating plates.

Contents

| Description | Page |
|-----------------------|------|
| Cabinet Components | |
| ♦ Exploded View | 2 |
| ♦ Usage List | 3 |
| Functional Components | |
| ♦ Exploded View | 4 |
| ♦ Usage List | 5 |
| Control Panel | |
| ♦ Exploded View | 6 |
| ♦ Usage List | 7 |
| Blower Assembly | |
| ♦ Exploded View | 8 |
| ♦ Usage List | 8 |

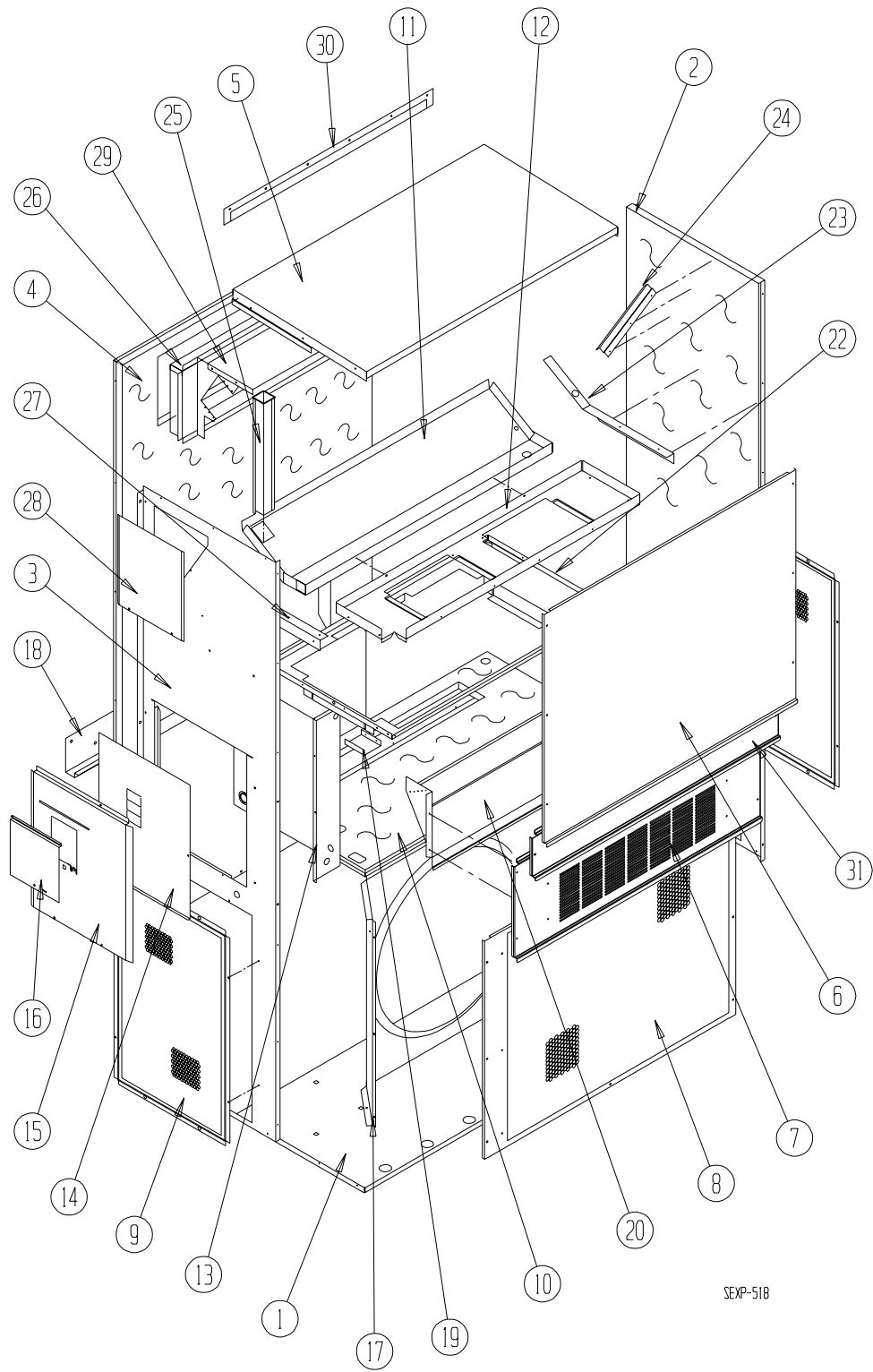


CLIMATE CONTROL SOLUTIONS

Bard Manufacturing Company, Inc.
Bryan, Ohio 43506
Since 1914...Moving ahead, just as planned.

Manual: 2110-484B
Supersedes: 2110-484A
File: Tab 16
Date: 08-18-09

CABINET COMPONENTS



SEXP-518

CABINET COMPONENTS

| Drawing No. | Part No. | Description | W42L1-A, B | W42L1-C | W48L1-A, B | W48L1-C | W60L1-A, B | W60L1-C |
|-------------|------------------------|---|------------|---------|------------|---------|------------|---------|
| 1 | S127Y214 | Lower Base | X | X | X | X | X | X |
| 1 | S127Y369 ③ | Lower Base | X | X | X | X | X | X |
| 2 | S500-319-* ① | Right Side | X | X | X | X | X | X |
| 2 | S500-465 ② | Right Side | X | X | X | X | X | X |
| 2 | S500Y516 ③ | Right Side | X | X | X | X | X | X |
| 3 | S500-320-* ① | Left Side | X | X | X | X | X | X |
| 3 | S500-466 ② | Left Side | X | X | X | X | X | X |
| 3 | S500-519 ③ | Left Side | X | X | X | X | X | X |
| 4 | S508-098 | Back | X | X | X | X | X | X |
| 4 | S508-191 ② | Back | X | X | X | X | X | X |
| 4 | S508-221 ③ | Back | X | X | X | X | X | X |
| 5 | S506-142-* ① | Top | X | X | X | X | X | X |
| 5 | S506-251 ② | Top | X | X | X | X | X | X |
| 5 | S506-274 ③ | Top | X | X | X | X | X | X |
| 6 | S515-144-* ① | Upper Front | X | X | X | X | X | X |
| 6 | S514-142 ② | Upper Front | X | X | X | X | X | X |
| 6 | S514-162 ③ | Upper Front | X | X | X | X | X | X |
| 7 | S552-383-* ① | Vent Option Door | X | X | X | X | X | X |
| 7 | S552-456 ② | Vent Option Door | X | X | X | X | X | X |
| 7 | S553-449 ③ | Vent Option Door | X | X | X | X | X | X |
| 8 | 118-049-* ① | Condenser Grille | X | X | X | X | X | X |
| 8 | 118-065 ② | Condenser Grille | X | X | X | X | X | X |
| 8 | 118-074 ③ | Condenser Grille | X | X | X | X | X | X |
| 9 | 118-057-* ① | Side Grille | 2 | 2 | 2 | 2 | 2 | 2 |
| 9 | 118-063 ② | Side Grille | 2 | 2 | 2 | 2 | 2 | 2 |
| 9 | 118-073 ③ | Side Grille | 2 | 2 | 2 | 2 | 2 | 2 |
| 10 | S521Y258 | Condenser Partition | X | X | X | X | X | X |
| 11 | 123-091 | Drain Pan | X | X | X | X | X | X |
| 12 | 121Y216 | Blower Partition | X | X | X | X | X | X |
| 13 | Control Panel Assembly | See Control Panel Assembly Drawing & Parts List | X | X | X | X | X | X |
| 14 | S133-114 | Control Panel Cover (Inner) | X | | X | | X | |
| 14 | S133-171 | Control Panel Cover (Inner) | | X | | X | | X |
| 15 | S533-140-* ① | Control Panel Cover (Outer) | X | X | X | X | X | X |
| 15 | S533-186 ② | Control Panel Cover (Outer) | X | X | X | X | X | X |
| 15 | S533-203 ③ | Control Panel Cover (Outer) | X | X | X | X | X | X |
| 16 | S153-218-* ① | Disconnect Access Door | X | X | X | X | X | X |
| 16 | S153-387 ② | Disconnect Access Door | X | X | X | X | X | X |
| 16 | S153-405 ③ | Disconnect Access Door | X | X | X | X | X | X |
| 17 | 125-024 | Fan Shroud | X | X | X | X | X | X |
| 18 | 113-140 | Bottom Mounting Bracket | X | X | X | X | X | X |
| 19 | 137-209 | Fill | X | X | X | X | X | X |
| 20 | BFAD-5 | Fresh Air Damper Assembly | X | X | X | X | X | X |
| 22 | 131Y099 | Filter Tray | X | X | X | X | X | X |
| 23 | 105Y878 | Left Side Support | X | X | X | X | X | X |
| 24 | 147-046 | Left Evaporator Support | X | X | X | X | X | X |
| 25 | 135-128 | Raceway | 2 | 2 | 2 | 2 | 2 | 2 |
| 26 | S111Y034 | Outlet Air Frame Assembly | X | X | X | X | X | X |
| 27 | 105Y877 | Right Side Support | X | X | X | X | X | X |
| 28 | S143-042-* ① | Right Side Cover Plate (Outer) | X | X | X | X | X | X |
| 28 | S143-105 ② | Right Side Cover Plate (Outer) | X | X | X | X | X | X |
| 28 | S143-125 ③ | Right Side Cover Plate (Outer) | X | X | X | X | X | X |
| 29 | 135-129 | Heat Shield | X | X | X | X | X | X |
| 30 | 113-150-* ① | Top Rain Flashing | X | X | X | X | X | X |
| 30 | 113-359 ③ | Top Rain Flashing | X | X | X | X | X | X |
| 31 | S553-384-* ① | Filter Door Assembly | X | X | X | X | X | X |
| 31 | S552-457 ② | Filter Door Assembly | X | X | X | X | X | X |
| 31 | S553-450 ③ | Filter Door Assembly | X | X | X | X | X | X |
| NS | S536-498 | Condenser Partition Block Off Plate | X | X | X | X | X | X |

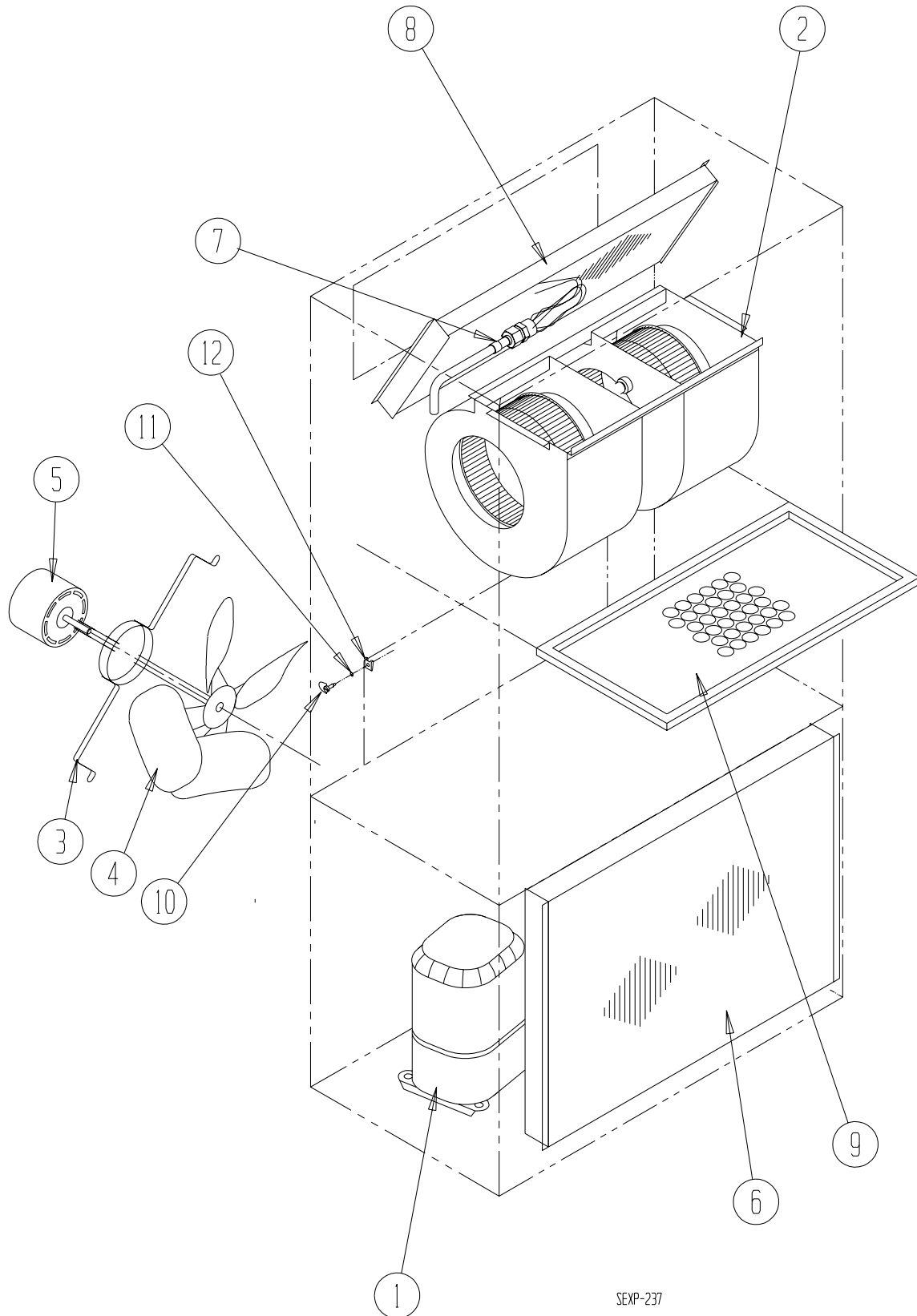
① Exterior cabinet parts are manufactured with various paint color options. To insure that you receive the proper paint color, you must include the complete model and serial number of the unit for which cabinet parts are being ordered.

② Note: Exterior cabinet parts are manufactured from aluminum Code "A"

NS = Not Shown

③ Note: Exterior cabinet parts are manufactured from stainless steel Code "S"

FUNCTIONAL COMPONENTS



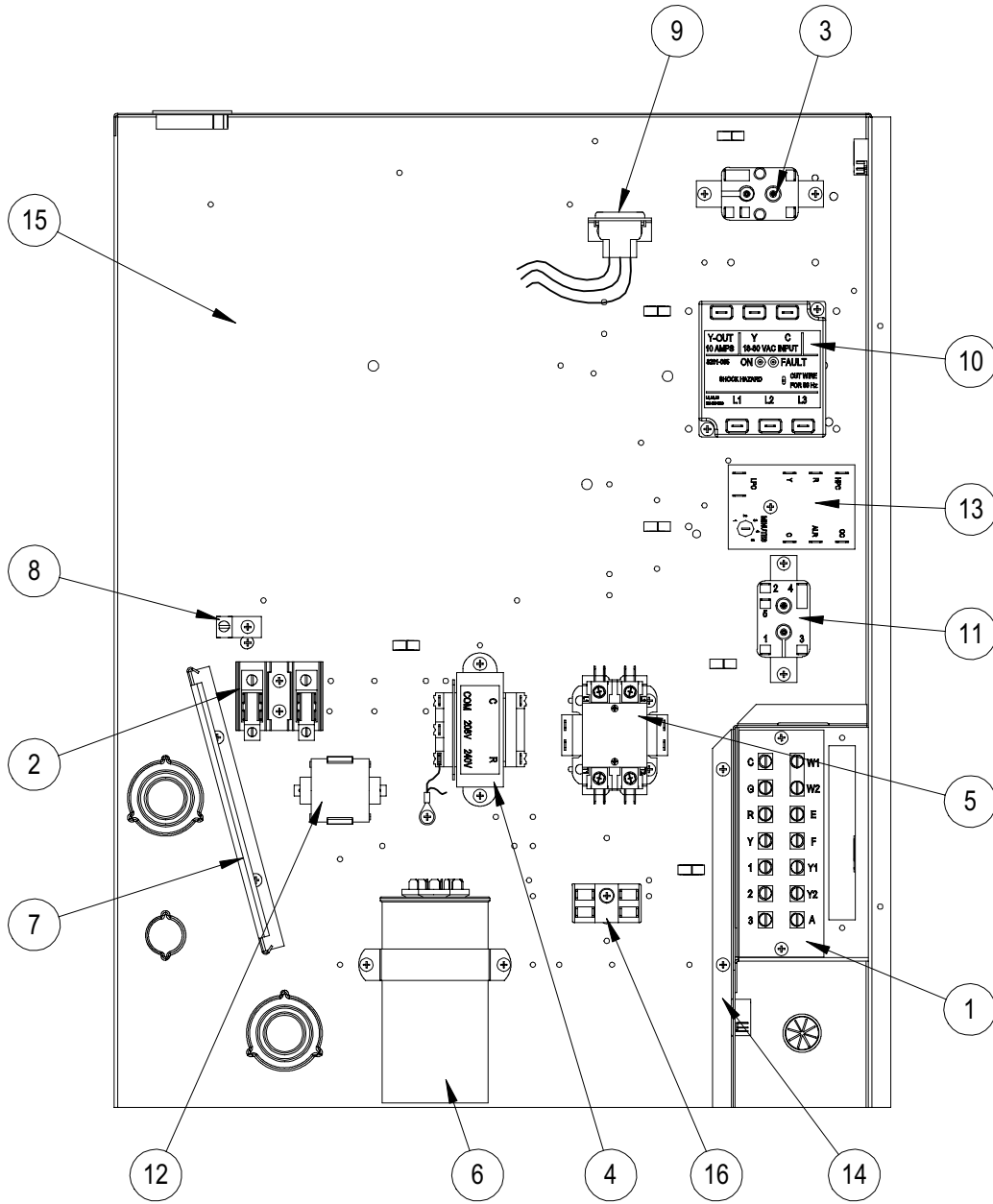
SEXP-237

FUNCTIONAL COMPONENTS

| Drawing No. | Part No. | Description | W42L 1-A | W42L 1-B | W42L 1-C | W48L 1-A | W48L 1-B | W48L 1-C | W60L 1-A | W60L 1-B | W60L 1-C |
|-------------|------------|------------------------------|----------|----------|----------|----------|----------|----------|----------|----------|----------|
| 1 | 8000-318 | Compressor | X | | | | | | | | |
| 1 | 8000-319 | Compressor | | X | | | | | | | |
| 1 | 8000-320 | Compressor | | | X | | | | | | |
| 1 | 8000-321 | Compressor | | | | X | | | | | |
| 1 | 8000-322 | Compressor | | | | | X | | | | |
| 1 | 8000-323 | Compressor | | | | | | X | | | |
| 1 | 8000-324 | Compressor | | | | | | | X | | |
| 1 | 8000-325 | Compressor | | | | | | | | X | |
| 1 | 8000-326 | Compressor | | | | | | | | | X |
| 2 | S900-183 | Blower Assembly | X | X | | X | X | | | | |
| 2 | S900-184 | Blower Assembly | | | X | | | X | | | |
| 2 | S900-185 | Blower Assembly | | | | | | | X | X | |
| 2 | S900-186 | Blower Assembly | | | | | | | | | X |
| 3 | 8200-004 | Fan Motor Mount | X | X | X | X | X | X | X | X | X |
| 4 | 5151-027 | Fan Blade | X | X | X | X | X | X | X | X | X |
| 5 | 8105-030 | Condenser Motor | | | X | | | X | | | X |
| 5 | 8105-039 | Condenser Motor | X | X | | X | X | | X | X | |
| 6 | 5051-152BX | Condenser Coil | X | X | X | X | X | X | | | |
| 6 | 5051-153BX | Condenser Coil | | | | | | | X | X | X |
| 7 | 800-0367 | Distributor Assembly | X | X | X | | | | | | |
| 7 | 800-0369 | Distributor Assembly | | | | X | X | X | | | |
| 7 | 800-0370 | Distributor Assembly | | | | | | | X | X | X |
| 8 | 5060-070BX | Evaporator Coil | | | | X | X | X | | | |
| 8 | 5060-082BX | Evaporator Coil | | | | | | | X | X | X |
| 8 | 5060-113BX | Evaporator Coil | X | X | X | | | | | | |
| 9 | 7004-016 | Air Filter 1" Throw-Away | X | X | X | X | X | X | X | X | X |
| 9 | 7003-030 | Air Filter 1" Washable | X | X | X | X | X | X | X | X | X |
| 9 | 7004-027 | Air Filter 2" Pleated | X | X | X | X | X | X | X | X | X |
| 10 | 1171-022 | 1/4 Turn Fastener | X | X | X | X | X | X | X | X | X |
| 11 | 1171-024 | 1/4 Turn Retainer | X | X | X | X | X | X | X | X | X |
| 12 | 1171-023 | 1/4 Turn Receptacle | X | X | X | X | X | X | X | X | X |
| NS | 5201-002 | Filter Drier | X | X | X | X | X | X | X | X | X |
| NS | CMA-28 | Low Ambient Control | X | X | X | X | X | X | X | X | X |
| NS | 1804-0385 | High Pressure Switch (Flare) | X | X | X | X | X | X | X | X | X |
| NS | 1804-0386 | Low Pressure Switch (Flare) | X | X | X | X | X | X | X | X | X |

NS = Not Shown

CONTROL PANEL



SEXP-519

CONTROL PANEL

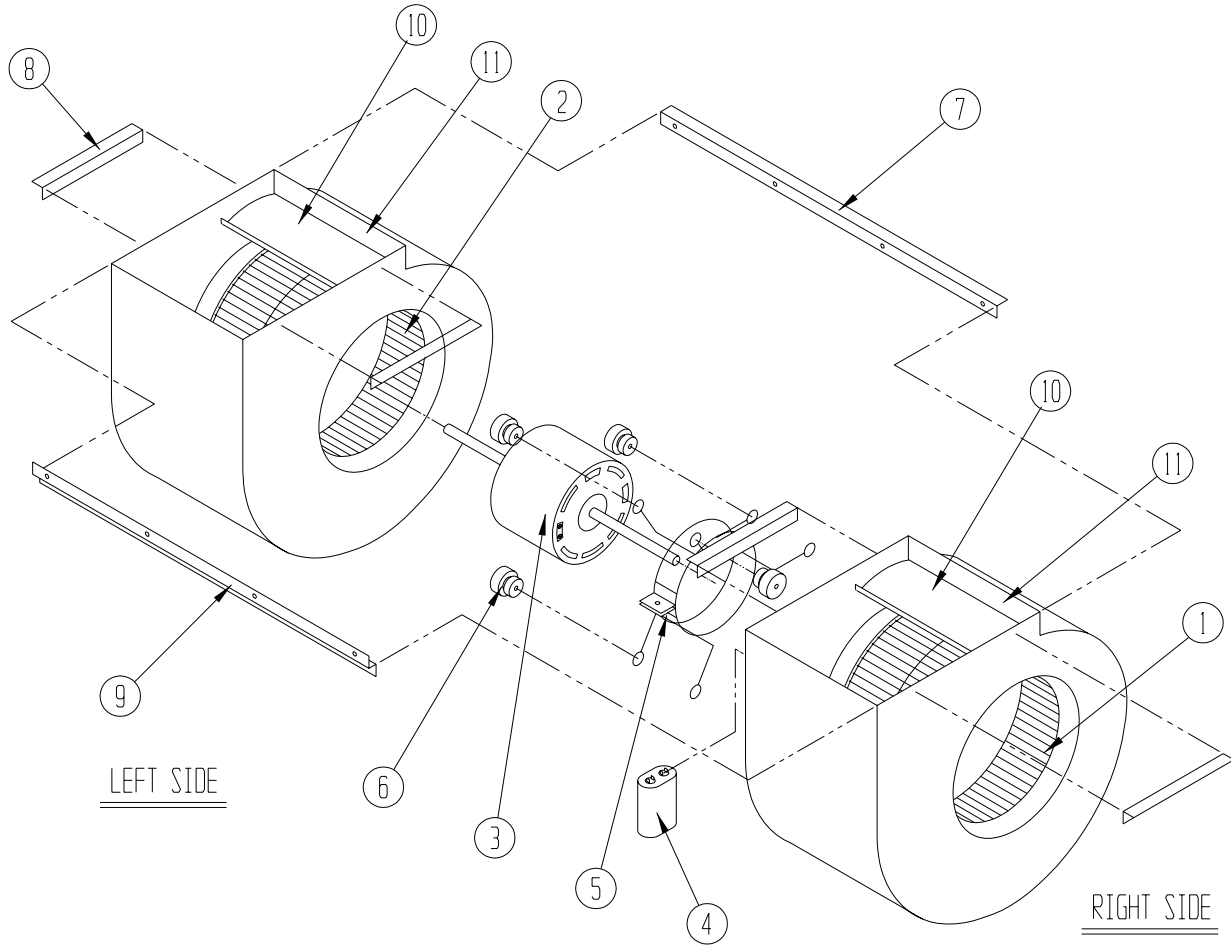
| Drawing No. | Part No. | Description | W42L1-A | W42L1-B | W42L1-C | W48L1-A | W48L1-B | W48L1-C | W60L1-A | W60L1-B | W60L1-C |
|-------------|----------|--------------------------------|---------|---------|---------|---------|---------|---------|---------|---------|---------|
| 1 | 8607-024 | Low Voltage Terminal Strip | X | X | X | X | X | X | X | X | X |
| 2 | 8607-013 | Terminal Block 2 Pole | X | | | X | | | X | | |
| 2 | 8607-014 | Terminal Block 3 Pole | | X | X | | X | X | | X | X |
| 2 | 8607-015 | Phenolic Insulator | | | X | | | X | | | X |
| 3 | 8201-009 | Blower Control Relay | X | X | | X | X | | X | X | |
| 3 | 8201-032 | Blower Control Relay | | | X | | | X | | | X |
| 4 | 8407-034 | Transformer | X | X | | X | X | | X | X | |
| 4 | 8407-042 | Transformer | | | X | | | X | | | X |
| 5 | 8401-002 | Compressor Contactor | | X | X | | X | X | | X | X |
| 5 | 8401-025 | Compressor Contactor | X | | | X | | | X | | |
| 6 | 8552-079 | Compressor Capacitor | X | | | | | | | | |
| 6 | 8552-005 | Outdoor Motor Capacitor | | X | | | X | | | | |
| 6 | 8552-026 | Outdoor Motor Capacitor | | | X | | | X | | | X |
| 6 | 8552-059 | Compressor Capacitor | | | | X | | | | | |
| 6 | 8552-058 | Compressor Capacitor | | | | | | | X | | |
| 6 | 8552-004 | Compressor Capacitor | | | | | | | | X | |
| 7 | 135-130 | Wire Shield | X | X | X | X | X | X | X | X | X |
| 8 | 8611-006 | Ground Terminal | X | X | X | X | X | X | X | X | X |
| 9 | 3000-978 | 6 Pin Connector | X | X | X | X | X | X | X | X | X |
| 10 | 8201-085 | Phase Monitor | | X | X | | X | X | | X | X |
| 11 | 8201-062 | Alarm Relay (Optional) | X | X | X | X | X | X | X | X | X |
| 12 | 8551-004 | Start Device (PTRC) (Optional) | X | | | X | | | X | | |
| 13 | 8201-088 | Compressor Control Module | X | X | X | X | X | X | X | X | X |
| 14 | 117-139 | Low Voltage Box | X | X | X | X | X | X | X | X | X |
| 15 | 117-143 | Control Panel | X | X | X | X | X | X | X | X | X |
| 16 | 8607-017 | Terminal Block (Optional) | X | X | X | X | X | X | X | X | X |
| NS | 8615-040 | Circuit Breaker 50A 2 Pole ② | X | | | X | | | | | |
| NS | 8615-042 | Circuit Breaker 35A 3 Pole ② | | X | | | X | | | | |
| NS | 8615-067 | Toggle Disconnect ② | | | X | | | X | | | X |
| NS | 8615-044 | Circuit Breaker 45A 3 Pole ② | | | | | | | | X | |
| NS | 8615-041 | Circuit Breaker 60A 2 Pole ② | | | | | | | X | | |
| NS | 4095-137 | Wiring Diagram | X | | | | | | | | |
| NS | 4095-128 | Wiring Diagram | | | | X | | | X | | |
| NS | 4095-234 | Wiring Diagram | | X | | | | | | | |
| NS | 4095-227 | Wiring Diagram | | | | | X | | | X | |
| NS | 4095-321 | Wiring Diagram | | | X | | | | | | |
| NS | 4095-318 | Wiring Diagram | | | | | | X | | | X |

① Optional on these models.

② Circuit breakers listed are for units without electric heat "0Z" models. Hot gas bypass models not available without electric heat. See Heater Replacement Parts Manual for units with electric heat.

NS = Not shown

BLOWER ASSEMBLY



SEXP-178

| Drawing No. | Part No. | Description | 900-183 | 900-184 | 900-185 | 900-186 |
|-------------|----------|------------------------|---------|---------|---------|---------|
| 1 | 5152-011 | 10 Inch Wheel (CW) | | | X | X |
| 1 | 5152-057 | 9 Inch Wheel (CW) | X | X | | |
| 2 | 5152-012 | 10 Inch Wheel (CCW) | | | X | X |
| 2 | 5152-058 | 9 Inch Wheel (CCW) | X | X | | |
| 3 | 8106-030 | Blower Motor (230/208) | X | | X | |
| 3 | 8106-025 | Blower Motor (460) | | X | | X |
| 4 | 8552-005 | Capacitor | X | X | X | X |
| 5 | 8200-040 | Motor Mount | X | X | X | X |
| 6 | 5451-011 | Grommets | 6 | 6 | 6 | 6 |
| 7 | 105-881 | Back Brace | X | X | X | X |
| 8 | 105-880 | Side Angle | 4 | 4 | 4 | 4 |
| 9 | 103-389 | Front Brace | X | X | X | X |
| 10 | 151-101 | Housing | 2 | 2 | 2 | 2 |
| 11 | 144-166 | Diffuser | 2 | 2 | 2 | 2 |