

---

# REPLACEMENT PARTS MANUAL

# WALL MOUNTED PACKAGE AIR CONDITIONER

Model: **W12A1**

---

## General Notes

- Revised and/or additional pages may be issued from time to time.
- A complete and current manual consists of pages shown in the following contents section.

## Important

- Contact the installing and/or local Bard distributor for all parts requirements. Make sure you have the complete model and serial number available from the unit rating plates.

## Contents

Description	Page
Cabinet Components	
♦ Exploded View .....	2
♦ Usage List .....	3
Functional Components	
♦ Exploded View .....	4
♦ Usage List .....	5
Control Panel	
♦ Exploded View .....	5
♦ Usage List .....	7
Blower Assembly	
♦ Exploded View .....	8
♦ Usage List .....	8



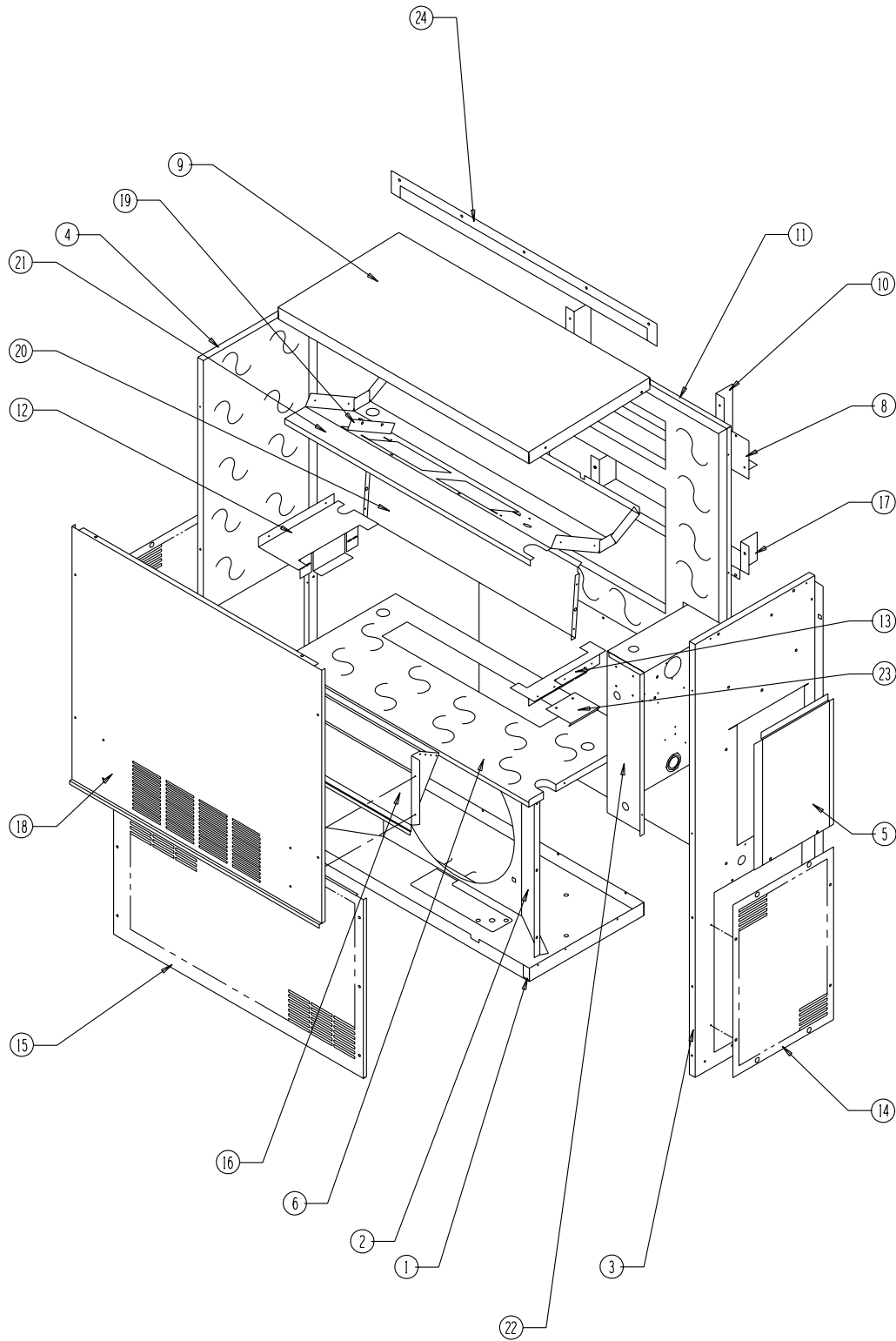
CLIMATE CONTROL SOLUTIONS

Bard Manufacturing Company, Inc.  
Bryan, Ohio 43506

*Since 1914...Moving ahead, just as planned.*

Manual: 2110-487A  
Supersedes: 2110-487  
File: 2150-004, Tab 16  
Date: 10-07-08

# CABINET COMPONENTS



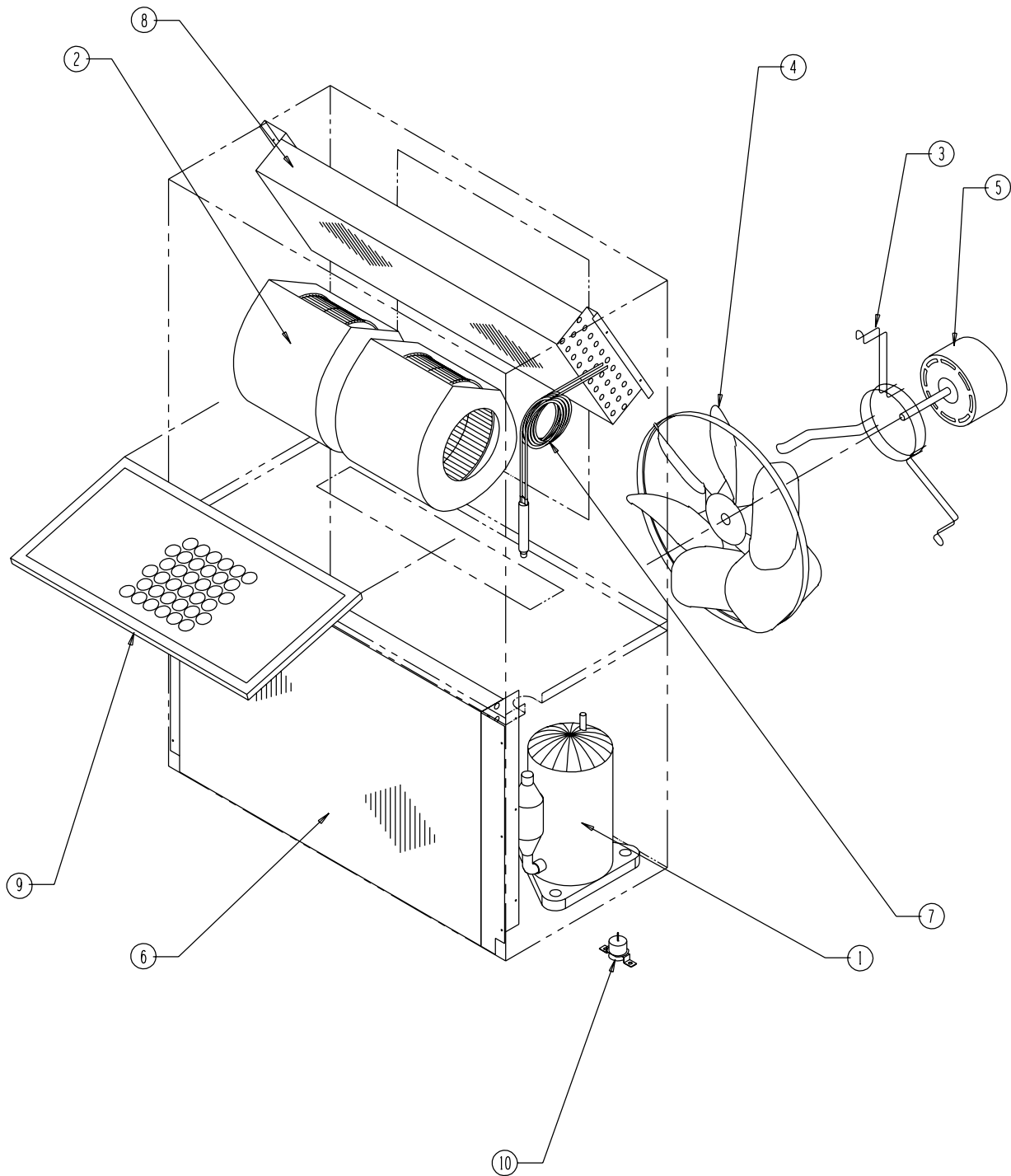
SEXP-190

# CABINET COMPONENTS

Drawing No.	Part No.	Description	W12A1-A	W12A1-K
1	S127-371-* ①	Lower Base	X	X
2	125-025	Fan Shroud	X	X
3	S500-275-* ①	Right Side	X	X
4	S500-274-* ①	Left Side	X	X
5	S133-120-* ①	Control Panel Cover (Outer)	X	X
6	520-243	Condenser Partition	X	X
8	111-037	Top Return Air Frame Angle	X	X
9	506-148-* ①	Top	X	X
10	111-036	Outlet Air Frame Angle	X	X
11	508-102	Back	X	X
12	113-197	Left Filter Bracket	X	X
13	113-198	Right Filter Bracket	X	X
14	118-033-* ①	Side Grille	2	2
15	119-034-* ①	Condenser Grille	X	X
16	BFAD-1	Fresh Air Damper Assembly	X	X
17	111-038	Bottom Return Air Frame Angle	X	X
18	S514-085-* ①	Upper Front	X	X
19	113-176	Heater Bracket	X	X
20	121-245	Return Partition	X	X
21	S121-244	Drain Pan	X	X
22	Control Panel Assembly	See Control Panel Assembly Drawing and Parts List	X	X
23	135-138	Fill Plate	X	X
24	113-178-* ①	Top Rain Flashing	X	X

① Exterior cabinet parts are manufactured with various paint color options. To insure that you receive the proper paint color, you must include the complete model and serial number of the unit for which cabinet parts are being ordered.

# FUNCTIONAL COMPONENTS



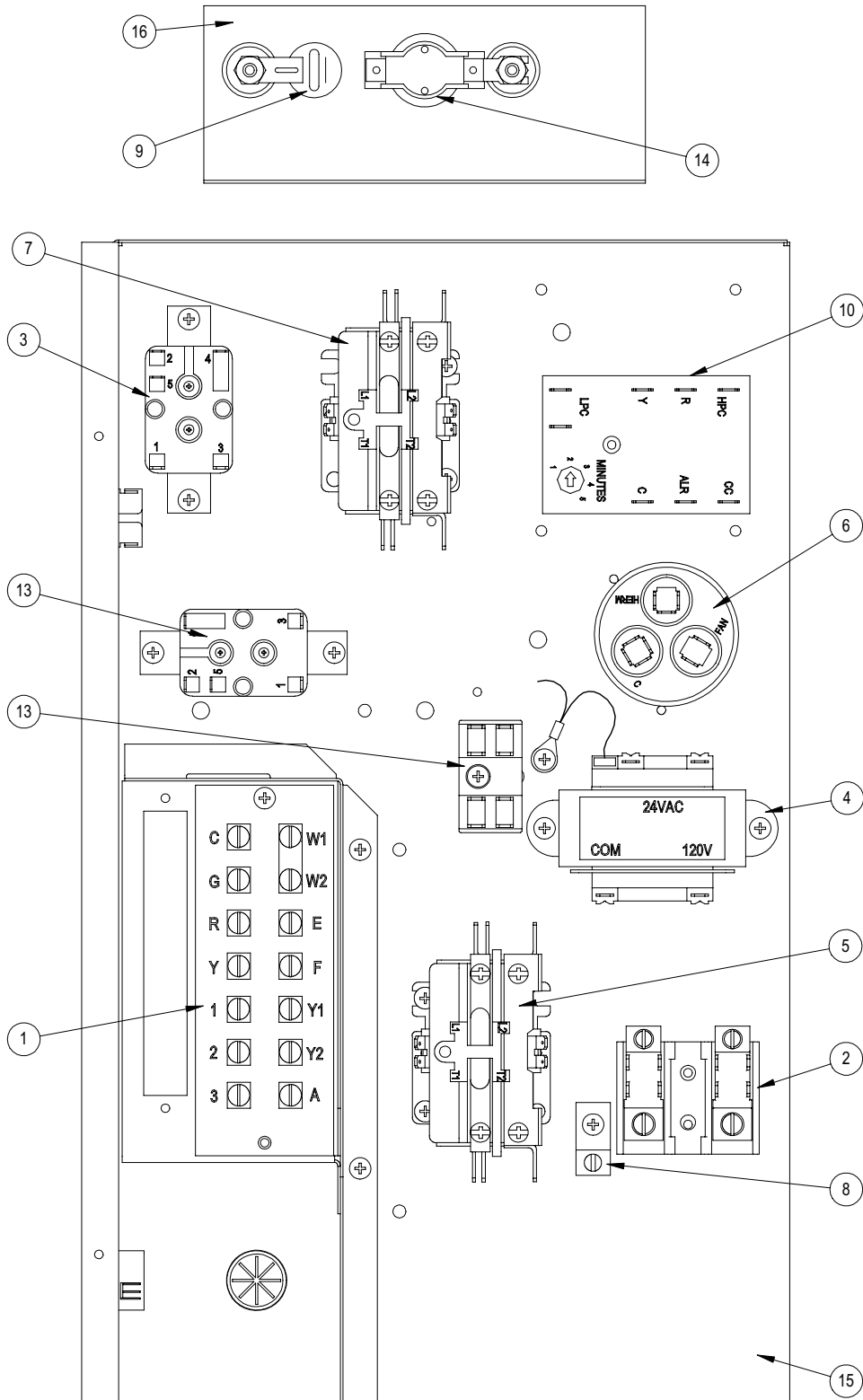
# FUNCTIONAL COMPONENTS

Drawing No.	Part No.	Description	W12A1-A	W12A1-K
1	8000-330	Compressor	X	
1	8000-331	Compressor		X
2	900-200	Blower Assembly 240V	X	
2	900-201	Blower Assembly 115V		X
3	8200-041	Fan Motor Mount	X	X
4	5151-047	Fan Blade	X	X
5	8101-007	Condenser Motor 240V	X	
5	8101-008	Condenser Motor 115V		X
6	5051-001 X	Condenser Coil	X	X
7	800-0373	Cooling Capillary Assembly	X	X
8	5060-074BX	Evaporator Coil	X	X
9	7003-021	Air Filter 1" Washable	X	X
9	7004-001	Air Filter 1" Throw Away	X	X
9	7004-028	Air Filter 2" Pleated ①	X	X
10	5651-110	Drain Valve	X	X
NS	1804-0327	High Pressure Switch Service Kit (Flare)	X	X
NS	1804-0386	Low Pressure Switch Service Kit (Flare)	X	X
NS	CMA-28	Low Ambient Control Service Kit (Flare) ①	X	X
NS	8402-169	Compressor Overload	X	
NS	8402-170	Compressor Overload		X
NS	5201-001	Filter Drier	X	X

NS – Not Shown

① – Optional on these models

# CONTROL PANEL



SEXP-524

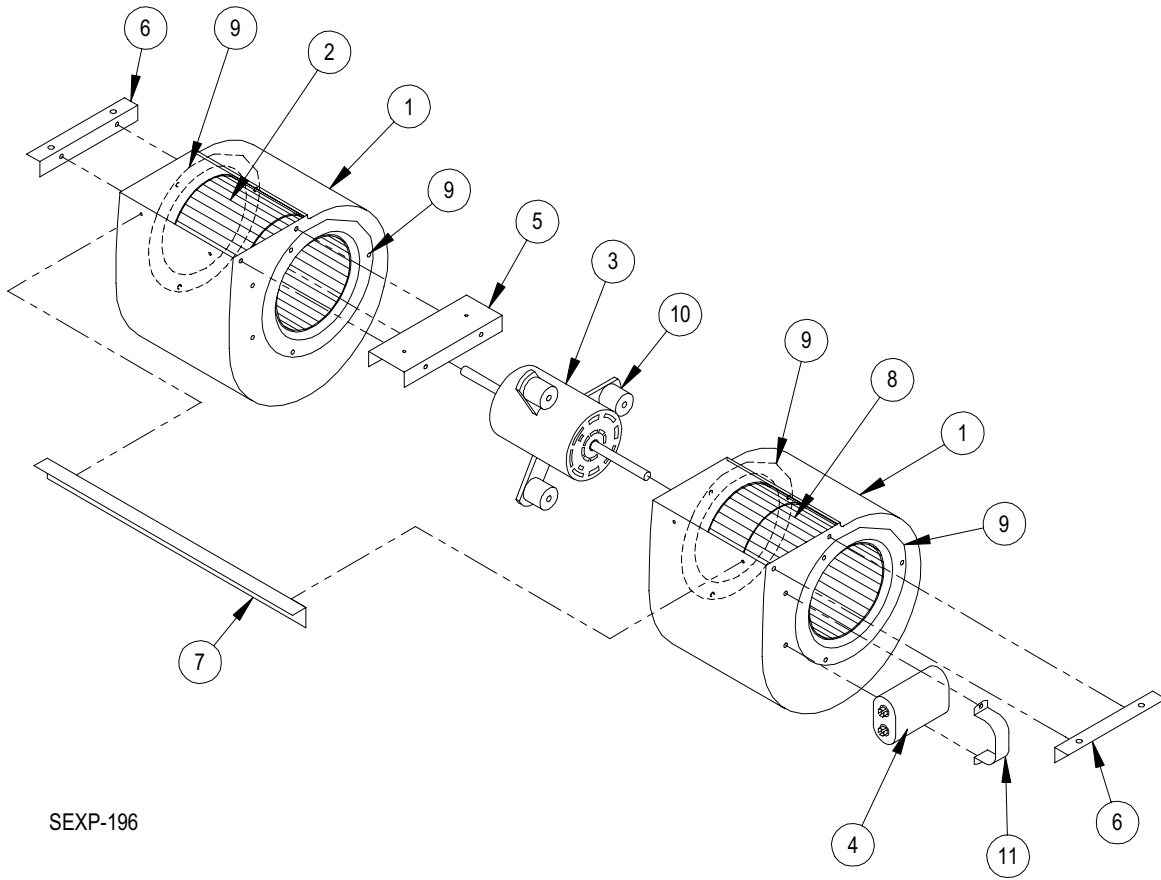
# CONTROL PANEL

Drawing No.	Part No.	Description	W12A1-A00	W12A1-A03	W12A1-A05	W12A1-K00	W12A1-K02
1	8607-024	Low Voltage Terminal Strip	X	X	X	X	X
2	8607-013	Terminal Block 2 Pole	X	X	X	X	X
3	8201-009	Blower Control Relay	X	X	X	X	X
4	8407-034	Transformer	X	X	X		
4	8407-039	Transformer				X	X
5	8401-007	Compressor Contactor	X	X	X	X	X
6	8552-090	Compressor Capacitor	X	X	X		
6	8552-048	Compressor Capacitor				X	X
7	8401-007	Heat Contactor		X	X		X
8	8611-006	Ground Terminal	X	X	X	X	X
9	8402-093	Thermal Cut Off		X	X		X
10	8201-088	Compressor Control Module	X	X	X	X	X
13	8201-062	Alarm Relay ①	X	X	X	X	X
13	8607-017	Terminal Block ① (Shown)	X	X	X	X	X
14	8402-084	Limit		X	X		X
15	117-154	Control Panel	X	X	X	X	X
16	8604-097	Heat Strip 3.6KW		X			
16	8604-098	Heat Strip 5.0KW			X		
16	8604-099	Heat Strip 2.2KW					X
NS	4095-146	Wiring Diagram		X	X		
NS	4095-147	Wiring Diagram	X				
NS	4095-148	Wiring Diagram				X	
NS	4095-149	Wiring Diagram					X

NS – Not Shown

① – Optional on these models

# BLOWER ASSEMBLY



SEXP-196

Drawing No.	Part No.	Description	900-200	900-201
1	151-114	Blower Housing *	X	X
2	5152-085	Wheel (CCW) Left	X	X
3	8101-009	Blower Motor (230/208)	X	
3	8101-010	Blower Motor (115)		X
4	8552-001	Capacitor 4MFD	X	
4	8552-002	Capacitor 5MFD		X
5	141-203	Center Blower Support	X	X
6	105-908	Side Angle	2	2
7	105-902	Front Brace	X	X
8	5152-084	Wheel (CW) Right	X	X
9	144-180	Inlet Ring	4	4
10	5451-018	Mounting Grommet	3	3
11	8550-003	Capacitor Bracket	4	4

\* Note: Replace with new rings.