
WALL MOUNTED PACKAGE AIR CONDITIONER

REPLACEMENT PARTS MANUAL

Models: **W48A12** **W48L12**
W48A13 **W48L13**
W60A12 **W60L12**
W60A13 **W60L13**

General Notes

- Revised and/or additional pages may be issued from time to time.
- A complete and current manual consists of pages shown in the following contents section.

Important

- Contact the installing and/or local Bard distributor for all parts requirements. Make sure you have the complete model and serial number available from the unit rating plates.

Contents

Description	Page
Cabinet Components	
♦ Exploded View - Right Hand	2
♦ Usage List - Right Hand	3
♦ Exploded View - Left Hand	4
♦ Usage List - Left Hand	5
Functional Components	
♦ Exploded View	6
♦ Usage List	7
Control Panel	
♦ Exploded View	8
♦ Usage List	9
Blower Assembly	
♦ Exploded View	10
♦ Usage List	10



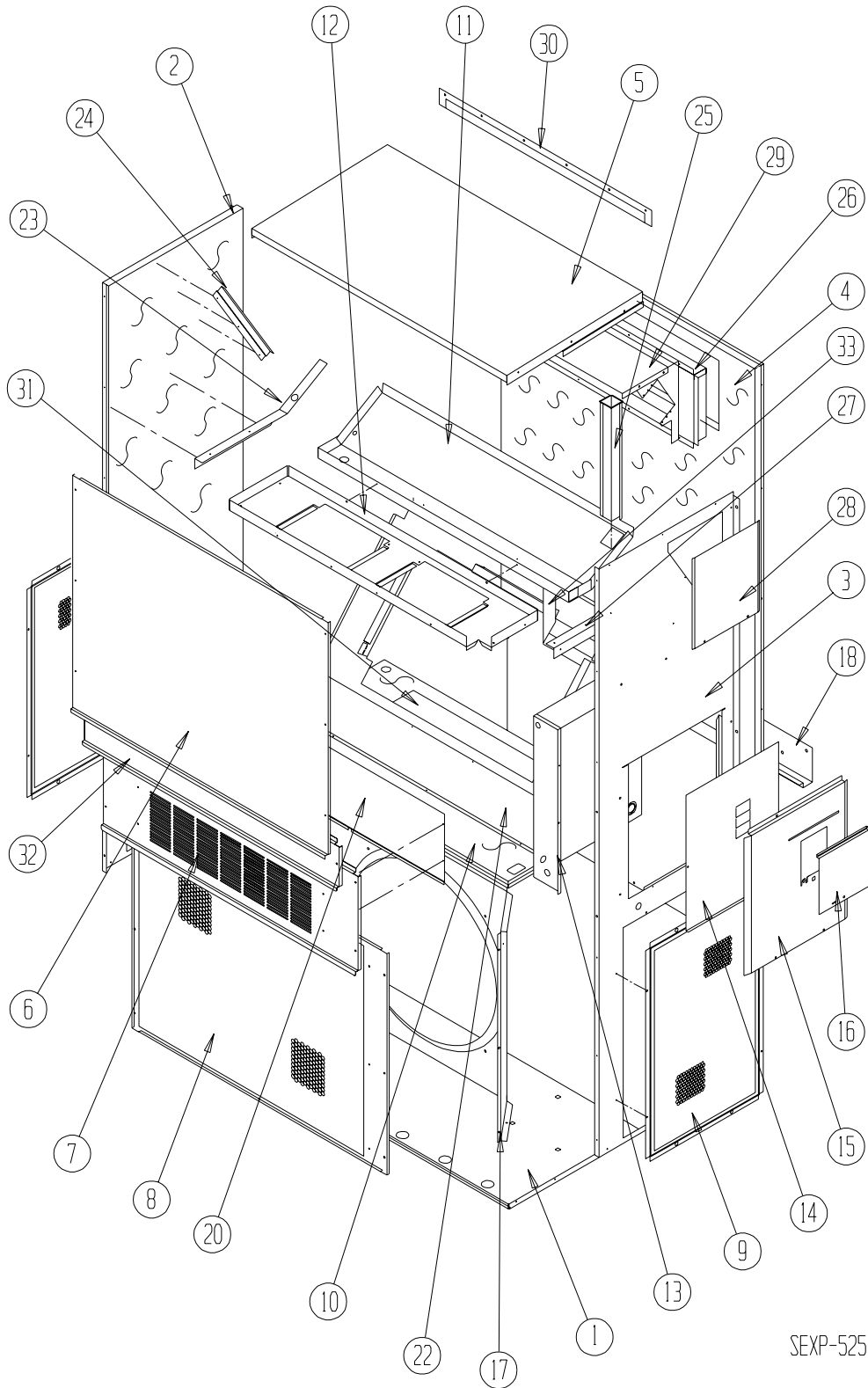
Climate Control Solutions

Bard Manufacturing Company, Inc.
Bryan, Ohio 43506

Since 1914...Moving ahead, just as planned.

Manual: 2110-488A
Supersedes: 2110-488
File: Tab 16
Date: 11-18-10

CABINET COMPONENTS



SEXP-525

This drawing is referenced in Table on Page 3

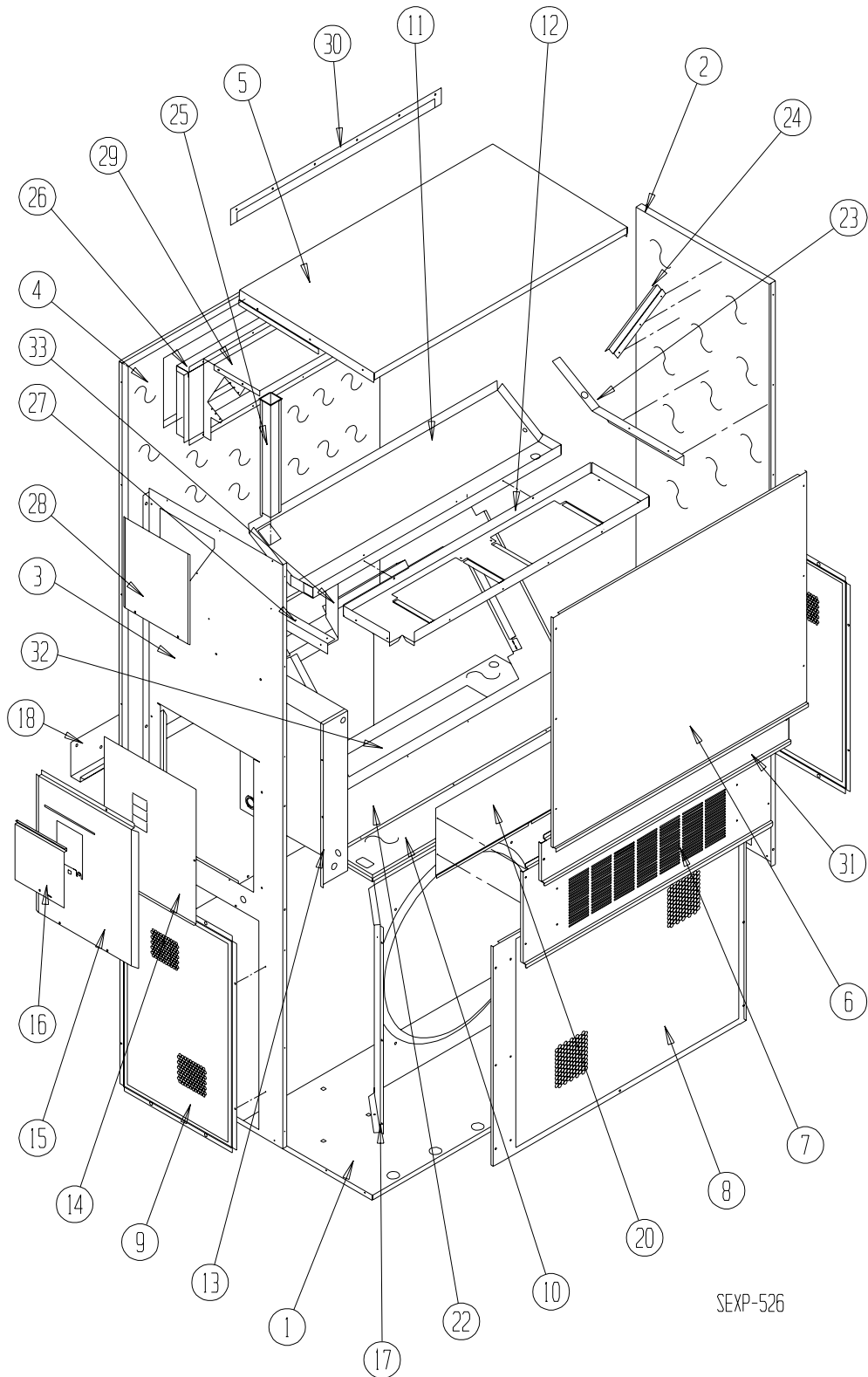
CABINET COMPONENTS

Dwg. No.	Part Number	Description	W48A12	W48A13	W60A12	W60A13
1	S127X214	Lower Base	X	X	X	X
2	S500-262-* ①	Left Side	X	X	X	X
3	S500-261-* ①	Right Side	X	X	X	X
4	S508-155	Back		X		X
4	S508-158	Back	X		X	
5	S506-142-* ①	Top	X	X	X	X
6	S515-144-* ①	Upper Front	X	X	X	X
7	S553-383-* ①	Vent Option Door	X	X	X	X
8	118-048-* ①	Condenser Grille	X	X	X	X
9	118-057-* ①	Side Grille	2	2	2	2
10	S521X333	Condenser Partition	X	X	X	X
11	S123-102	Drain Pan	X	X	X	X
12	121X216	Blower Partition	X	X	X	X
13	Control Panel Assembly	See Control Panel Assembly Drawing and Parts List	X	X	X	X
14	S132-114	Control Panel Cover (Inner)	X	X	X	X
15	S533-113-* ①	Control Panel Cover (Outer)	X	X	X	X
16	S153-218-* ①	Disconnect Access Door	X	X	X	X
17	125-024	Fan Shroud	X	X	X	X
18	113-140	Bottom Mounting Bracket	X	X	X	X
20	BOP-5	Blank Off Plate	X	X	X	X
22	131X135	Filter Tray	X	X	X	X
23	105X877	Left Side Support	X	X	X	X
24	147-046	Left Evaporator Support	X	X	X	X
25	135-128	Raceway	X	X	X	X
26	S111X064	Outlet Air Frame Assembly	X		X	
26	111-066	Outlet Air Frame Assembly		X		
26	S111X030	Outlet Air Frame Assembly				X
27	105X878	Right Side Support	X	X	X	X
28	S143-042-* ①	Right Side Cover Plate (Outer)	X	X	X	X
29	135X123	Heat Shield				X
30	113-150-* ①	Top Rain Flashing	X	X	X	X
31	S536-258	Cond. Partition Block Off Plate	X	X	X	X
32	S553-384-* ①	Filter Door Assembly	X	X	X	X
33	111-065	Inlet Airframe	X		X	

① Exterior cabinet parts are manufactured with various paint color options. To insure that you receive the proper paint color, you must include the complete model and serial number of the unit for which cabinet parts are being ordered.

This Table is references drawing on Page 2

CABINET COMPONENTS



SEXP-526

This drawing is referenced in Table on Page 5

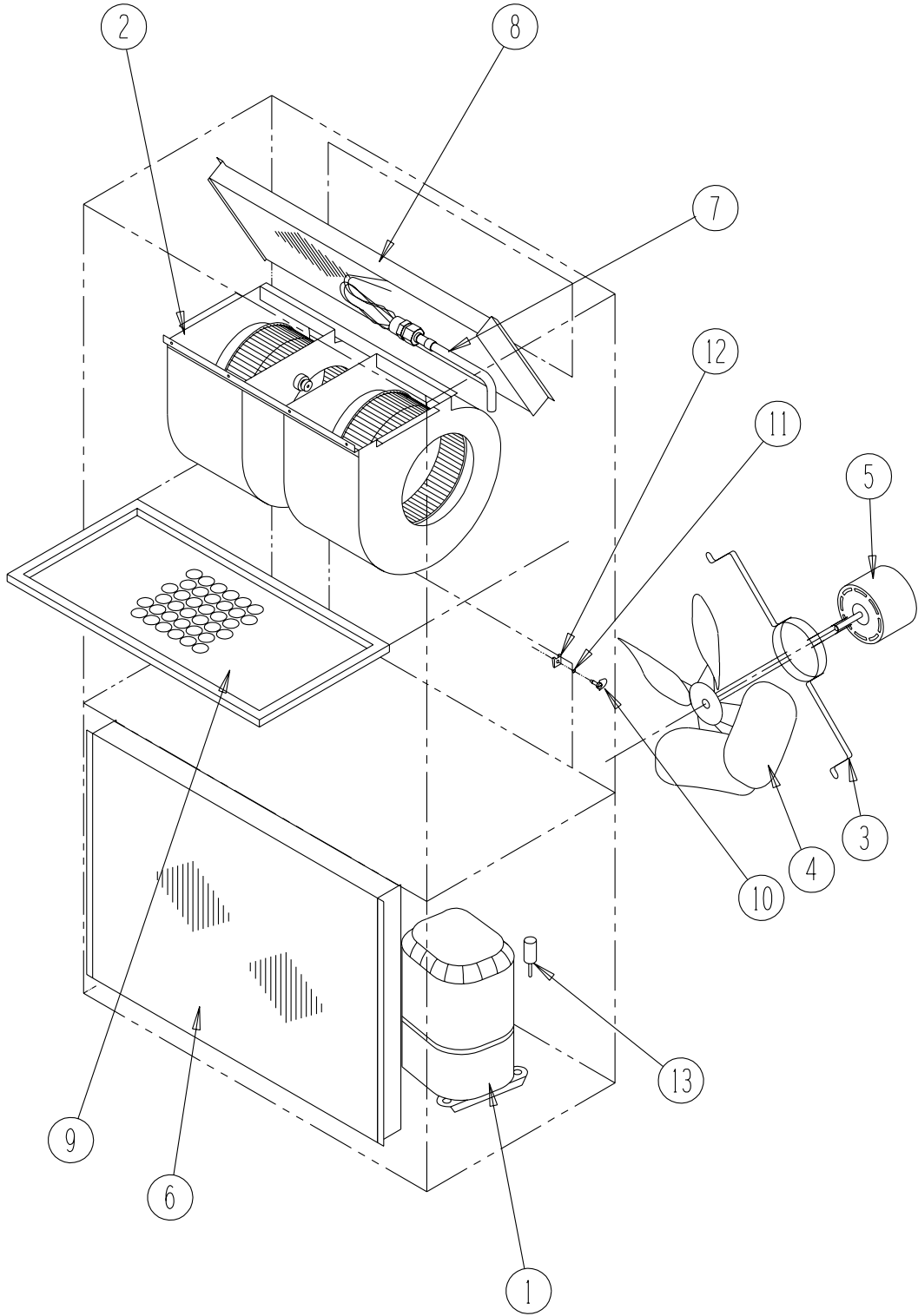
CABINET COMPONENTS

Drawing No.	Part No.	Description	W48L12	W48L13	W60L12	W60L13
1	S127Y214	Lower Base	X	X	X	X
2	S500-319-* ①	Right Side	X	X	X	X
3	S500-320-* ①	Left Side	X	X	X	X
4	S508-155	Back		X		X
4	S508-158	Back	X		X	
5	S506-142-* ①	Top	X	X	X	X
6	S515-144-* ①	Upper Front	X	X	X	X
7	S552-383-* ①	Vent Option Door	X	X	X	X
8	118-049-*①	Condenser Grille	X	X	X	X
9	118-057-*①	Side Grille	2	2	2	2
10	S521Y333	Condenser Partition	X	X	X	X
11	S123-091	Drain Pan	X	X	X	X
12	121Y216	Blower Partition	X	X	X	X
13	Control Panel Assembly	See Control Panel Assembly Drawing & Parts List	X	X	X	X
14	S132-114	Control Panel Cover (Inner)	X	X	X	X
15	S533-140-* ①	Control Panel Cover (Outer)	X	X	X	X
16	S153-218-* ①	Disconnect Access Door	X	X	X	X
17	125-024	Fan Shroud	X	X	X	X
18	113-140	Bottom Mounting Bracket	X	X	X	X
20	BOP-5	Blank Off Plate	X	X	X	X
22	131Y135	Filter Tray	X	X	X	X
23	105Y877	Left Side Support	X	X	X	X
24	147-046	Left Evaporator Support	X	X	X	X
25	135-128	Raceway	2	2	2	2
26	S111-064	Outlet Air Frame Assembly	X		X	
26	111-066	Outlet Air Frame Assembly		X		
26	S111Y030	Outlet Air Frame Assembly				X
27	105Y878	Right Side Support	X	X	X	X
28	S143-042-* ①	Right Side Cover Plate (Outer)	X	X	X	X
29	135Y123	Heat Shield				X
30	113-150-*①	Top Rain Flashing	X	X	X	X
31	S553-384-* ①	Filter Door Assembly	X	X	X	X
32	S536-498	Condenser Partition Block Off Plate	X	X	X	X
33	111-065	Inlet Airframe	X		X	

① Exterior cabinet parts are manufactured with various paint color options. To insure that you receive the proper paint color, you must include the complete model and serial number of the unit for which cabinet parts are being ordered.

This Table is references drawing on Page 4

FUNCTIONAL COMPONENTS



This Exploded View references Table on Page 7

SEXP-177

FUNCTIONAL COMPONENTS

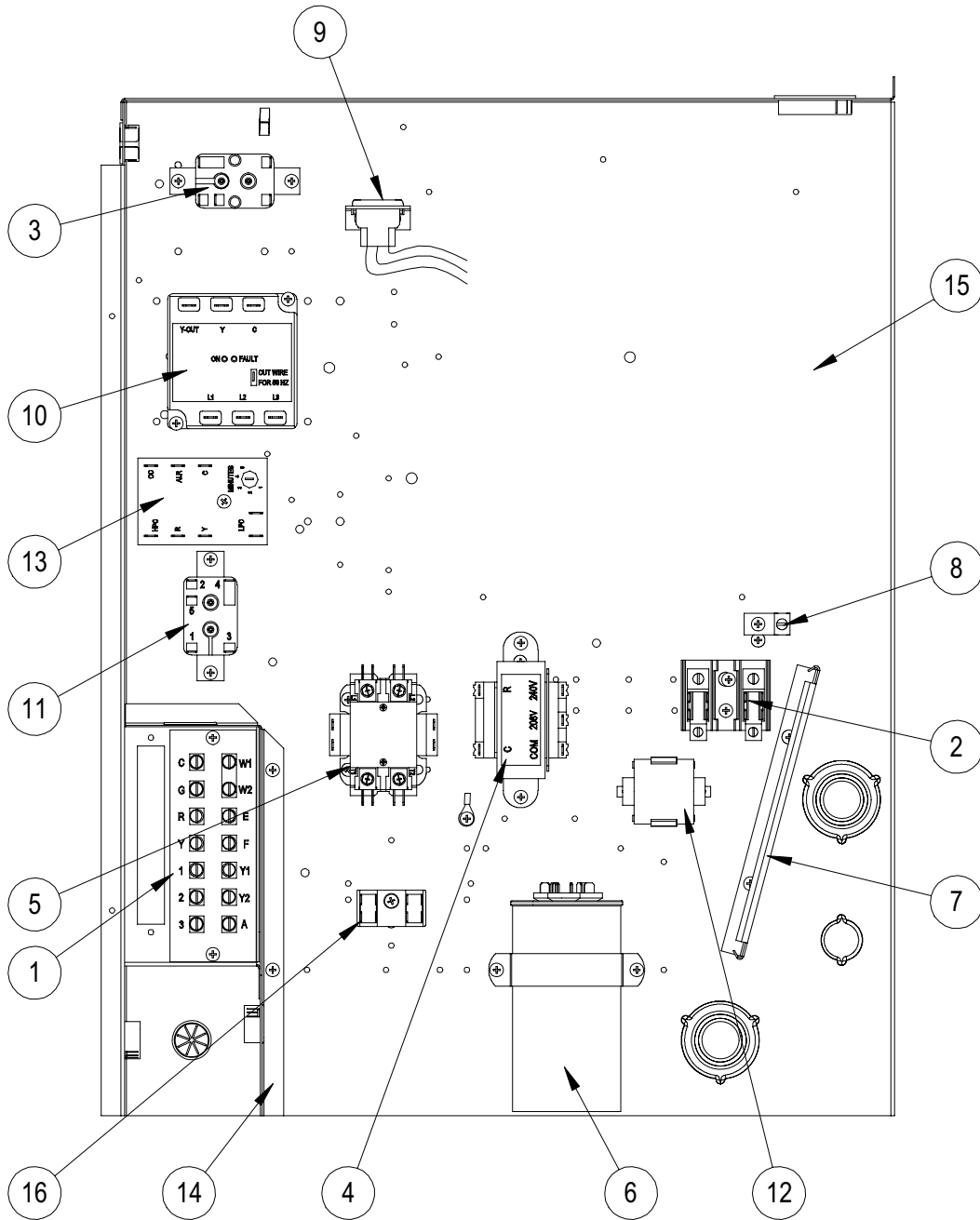
Dwg. No.	Part Number	Description	W48A12	W48A13	W60A12	W60A13	W48L12	W48L13	W60L12	W60L13
1	8000-343	Compressor	X	X			X	X		
1	8000-324	Compressor			X	X			X	X
2	S900-183	Blower Assembly	X	X			X	X		
2	S900-185	Blower Assembly			X	X			X	X
3	8200-004	Fan Motor Mount	X	X	X	X	X	X	X	X
4	5151-027	Fan Blade	X	X	X	X	X	X	X	X
5	8105-039	Condenser Motor	X	X	X	X	X	X	X	X
6	5051-151BX	Condenser Coil	X	X						
6	5051-152BX	Condenser Coil					X	X		
6	5051-083BX	Condenser Coil			X	X				
6	5051-153BX	Condenser Coil							X	X
7	800-0369	Distributor Assembly	X	X			X	X		
7	800-0370	Distributor Assembly			X	X			X	X
8	5060-070BX	Evaporator Coil	X	X			X	X		
8	5060-082BX	Evaporator Coil			X	X			X	X
9	7004-016	Air Filter 1" Throw-Away	X	X	X	X	X	X	X	X
9	7003-030	Air Filter 1" Washable	X	X	X	X	X	X	X	X
9	7004-027	Air Filter 2" Pleated	X	X	X	X	X	X	X	X
10	1171-022	1/4 Turn Fastener	X	X	X	X	X	X	X	X
11	1171-024	1/4 Turn Retainer	X	X	X	X	X	X	X	X
12	1171-023	1/4 Receptacle					X	X	X	X
NS	5201-002	Filter Drier	X	X	X	X	X	X	X	X
NS	1804-0385	High Pressure Switch (Flare)	X	X	X	X	X	X	X	X
NS	1804-0386	Low Pressure Switch (Flare)	X	X	X	X	X	X	X	X
NS	CMA-28	Low Ambient Control (Flare) ①	X	X	X	X	X	X	X	X

NS – Not Shown

① – Optional on these models

This Table references Exploded View on Page 6

CONTROL PANEL



SEXP-512

This drawing is referenced in Tables on Page 9

CONTROL PANEL

Drawing No.	Part No.	Description	W48A12	W48A13	W60A12	W60A13	W48L12	W48L13	W60L12	W60L13
1	8607-024	Low Voltage Terminal Strip	X	X	X	X	X	X	X	X
2	8607-013	Terminal Block 2 Pole	X	X	X	X	X	X	X	X
3	8201-009	Blower Control Relay	X	X	X	X	X	X	X	X
4	8407-034	Transformer	X	X	X	X	X	X	X	X
5	8401-025	Compressor Contactor	X	X	X	X	X	X	X	X
6	8552-058	Compressor Capacitor			X	X			X	X
6	8552-089	Compressor Capacitor	X	X			X	X		
7	135-130	Wire Shield	X	X	X	X	X	X	X	X
8	8611-006	Ground Terminal	X	X	X	X	X	X	X	X
9	3000-1277	6 Pin Connector	X	X	X	X	X	X	X	X
11	8201-062	Alarm Relay ①	X	X	X	X	X	X	X	X
12	8551-004	Start Device (PTCR)	X	X	X	X	X	X	X	X
13	8201-088	Compressor Control Module	X	X	X	X	X	X	X	X
14	117X139	Low Voltage Box	X	X	X	X				
14	117Y139	Low Voltage Box					X	X	X	X
15	117X143	Control Panel	X	X	X	X				
15	117Y143	Control Panel					X	X	X	X
16	8607-017	Terminal Block ①	X	X	X	X	X	X	X	X
NS	8615-040	Circuit Breaker 50A 2 Pole ②	X	X			X	X		
NS	8615-041	Circuit Breaker 60A 2 Pole ②			X	X			X	X
NS	4095-144	Wiring Diagram	X	X	X	X				
NS	4095-128	Wiring Diagram					X	X	X	X

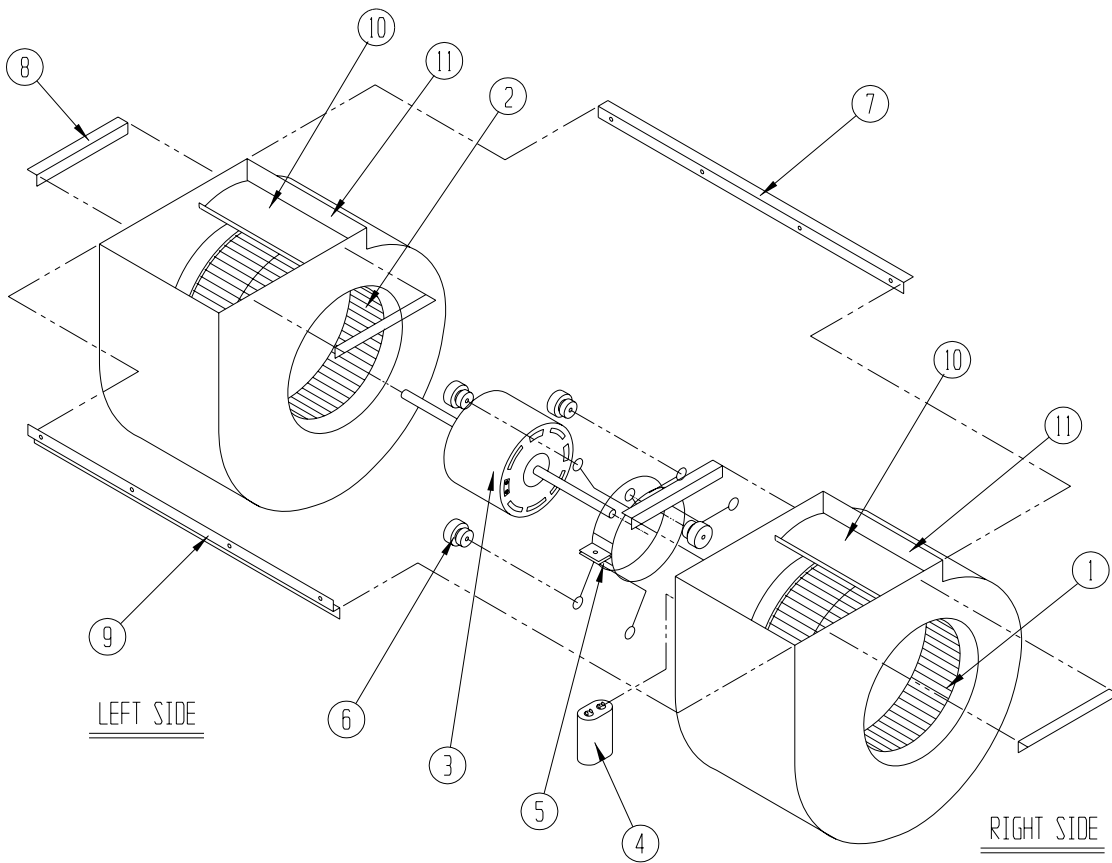
① Optional on these models.

② Circuit breakers listed are for units without electric heat "0Z" models. Hot gas bypass models not available without electric heat. See Heater Replacement Parts Manual for units with electric heat.

NS = Not shown

This Table is references drawing on Page 8

BLOWER ASSEMBLY



SEXP-178

Drawing No.	Part No.	Description	900-185	900-183
1	5152-011	10 Inch Wheel (CW)	X	
1	5152-057	9 Inch Wheel (CW)		X
2	5152-012	10 Inch Wheel (CCW)	X	
2	5152-058	9 Inch Wheel (CCW)		X
3	8106-030	Blower Motor (230/208)	X	X
4	8552-005	Capacitor	X	X
5	8200-040	Motor Mount	X	X
6	5451-011	Grommets	6	6
7	105-881	Back Brace	X	X
8	105-880	Side Angle	4	4
9	103-389	Front Brace	X	X
10	151-101	Housing	2	2
11	144-166	Diffuser	2	2