
REPLACEMENT PARTS MANUAL

WALL MOUNTED PACKAGE AIR CONDITIONER

Models: **W70A1**
W70L1

General Notes

- Revised and/or additional pages may be issued from time to time.
- A complete and current manual consists of pages shown in the following contents section.

Important

- Contact the installing and/or local Bard distributor for all parts requirements. Make sure you have the complete model and serial number available from the unit rating plates.

Contents

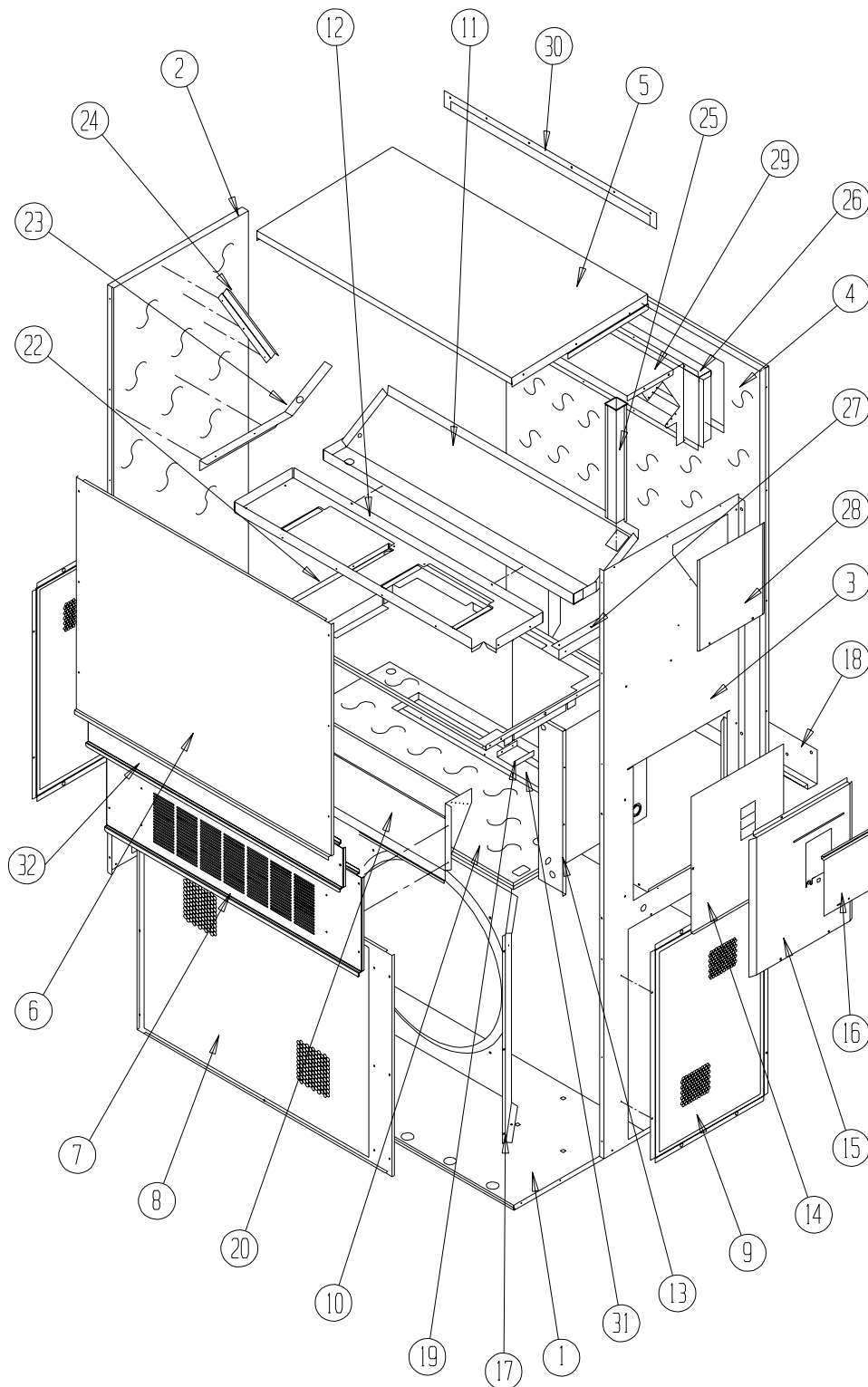
Description	Page
Cabinet Components	
♦ Exploded View	2
♦ Usage List	3
Functional Components	
♦ Exploded View	4
♦ Usage List	5
Control Panel	
♦ Exploded View	6
♦ Usage List	7
Blower Assembly	
♦ Exploded View	8
♦ Usage List	8



Bard Manufacturing Company, Inc.
Bryan, Ohio 43506
Since 1914...Moving ahead, just as planned.

Manual: 2110-490B
Supersedes: 2110-490A
File: Tab 16
Date: 04-26-10

CABINET COMPONENTS



SEXP-511

CABINET COMPONENTS

Dwg. No.	Part Number	Description	W70A1-A, B	W70A1-C, P
1	S127X214	Lower Base	X	X
1	S127X369 ③	Lower Base	X	X
2	S500-316-* ①	Left Side	X	X
2	S500-545 ②	Left Side	X	X
2	S500-543 ③	Left Side	X	X
3	S500-315-* ①	Right Side	X	X
3	S500-546 ②	Right Side	X	X
3	S500-544 ③	Right Side	X	X
4	S508-129	Back	X	X
4	S508-229 ②	Back	X	X
4	S508-228 ③	Back	X	X
5	S506-142-* ①	Top	X	X
5	S506-251 ②	Top	X	X
5	S506-274 ③	Top	X	X
6	S515-144-* ①	Upper Front	X	X
6	S514-142 ②	Upper Front	X	X
6	S514-162 ③	Upper Front	X	X
7	S552-388 ③	Vent Option Door	X	X
7	S553-4087 ①	Vent Option Door with ERV	X	X
7	S552-456 ②	Vent Option Door	X	X
7	S553-449 ③	Vent Option Door	X	X
8	118-052-* ①	Condenser Grille	X	X
8	118-080 ②	Condenser Grille	X	X
8	118-078 ③	Condenser Grille	X	X
9	118-058-* ①	Side Grille	2	2
9	118-081 ②	Side Grille	2	2
9	118-079 ③	Side Grille	2	2
10	S521X258	Condenser Partition	X	X
11	S123-102	Drain Pan	X	X
12	121X216	Blower Partition	X	X
13	Control Panel Assy.	See Control Panel Assy. Dwg. & Parts List	X	X
14	S132-114	Control Panel Cover (Inner)	X	
14	S132-171	Control Panel Cover (Inner)		X
15	S533-113-* ①	Control Panel Cover (Outer)	X	X
15	S533-185 ②	Control Panel Cover (Outer)	X	X
15	S533X195 ③	Control Panel Cover (Outer)	X	X
16	S153-218-* ①	Disconnect Access Door	X	X
16	S153-387 ②	Disconnect Access Door	X	X
16	S153-405 ③	Disconnect Access Door	X	X
17	125-029	Fan Shroud	X	X
17	125-059 ③	Fan Shroud	X	X
18	113-140	Bottom Mounting Bracket	X	X
19	137-209	Fill	X	X
20	BFAD-5	Fresh Air Damper Assembly	X	X
22	131X099	Filter Tray	X	X
23	105X877	Left Side Support	X	X
24	147-046	Left Evaporator Support	X	X
25	135-128	Raceway	X	X
26	S111X034	Outlet Air Frame Assembly	X	X
27	105X878	Right Side Support	X	X
28	S143-042-* ①	Right Side Cover Plate (Outer)	X	X
28	S143-105 ②	Right Side Cover Plate (Outer)	X	X
28	S143-125 ③	Right Side Cover Plate (Outer)	X	X
29	135-129	Heat Shield	X	X
30	113-150-* ①	Top Rain Flashing	X	X
30	113-359 ③	Top Rain Flashing	X	X
31	S536-258	Cond. Partition Block Off Plate	X	X
32	S553-384-* ①	Filter Door Assembly	X	X
32	S552-457 ②	Filter Door Assembly	X	X
32	S553-450 ③	Filter Door Assembly	X	X

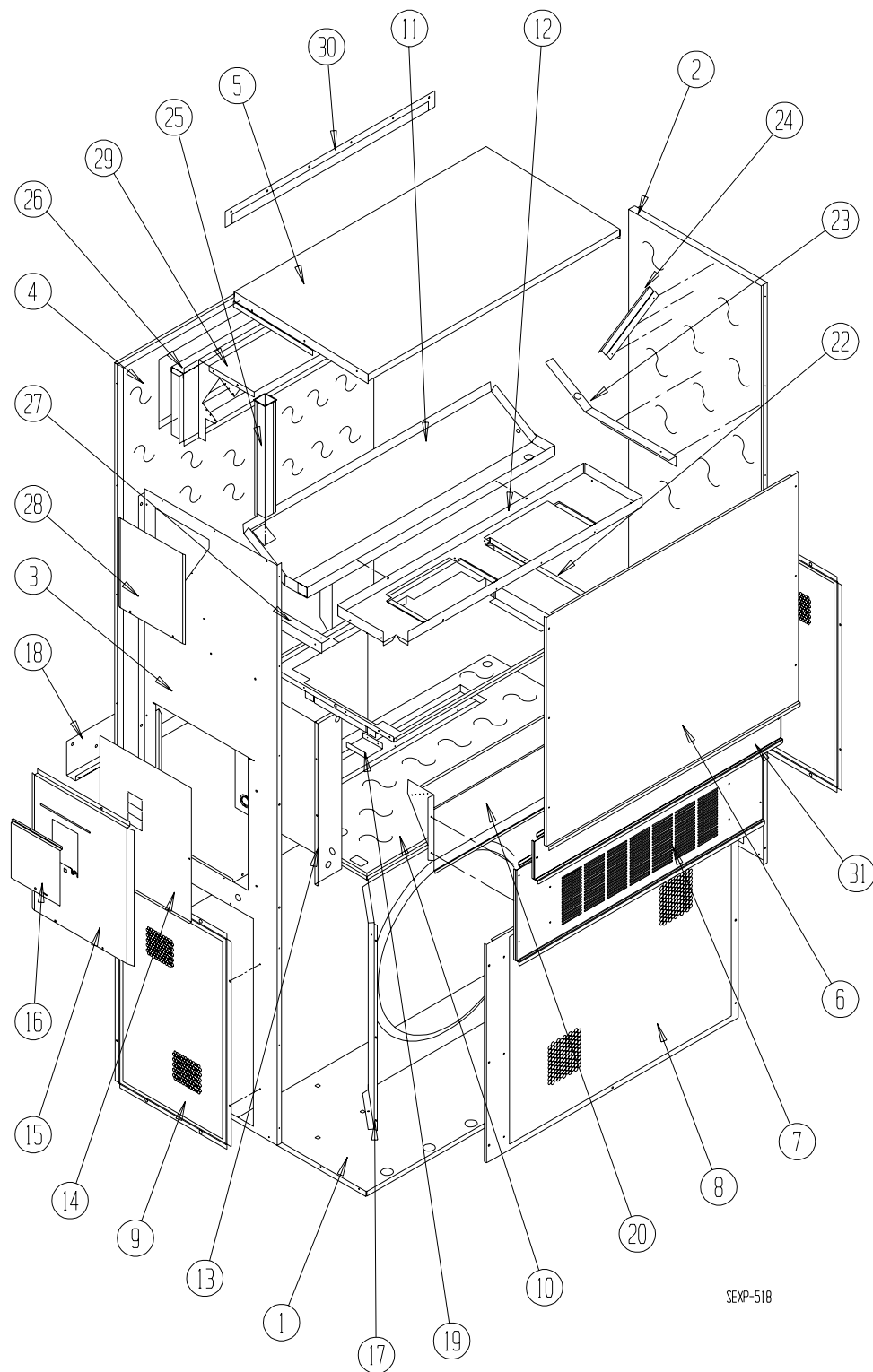
① Exterior cabinet parts are manufactured with various paint color options. To insure that you receive the proper paint color, you must include the complete model and serial number of the unit for which cabinet parts are being ordered.

② Note: Exterior cabinet parts are manufactured from aluminum Code "A"

NS = Not Shown

③ Note: Exterior cabinet parts are manufactured from stainless steel Code "S"

CABINET COMPONENTS

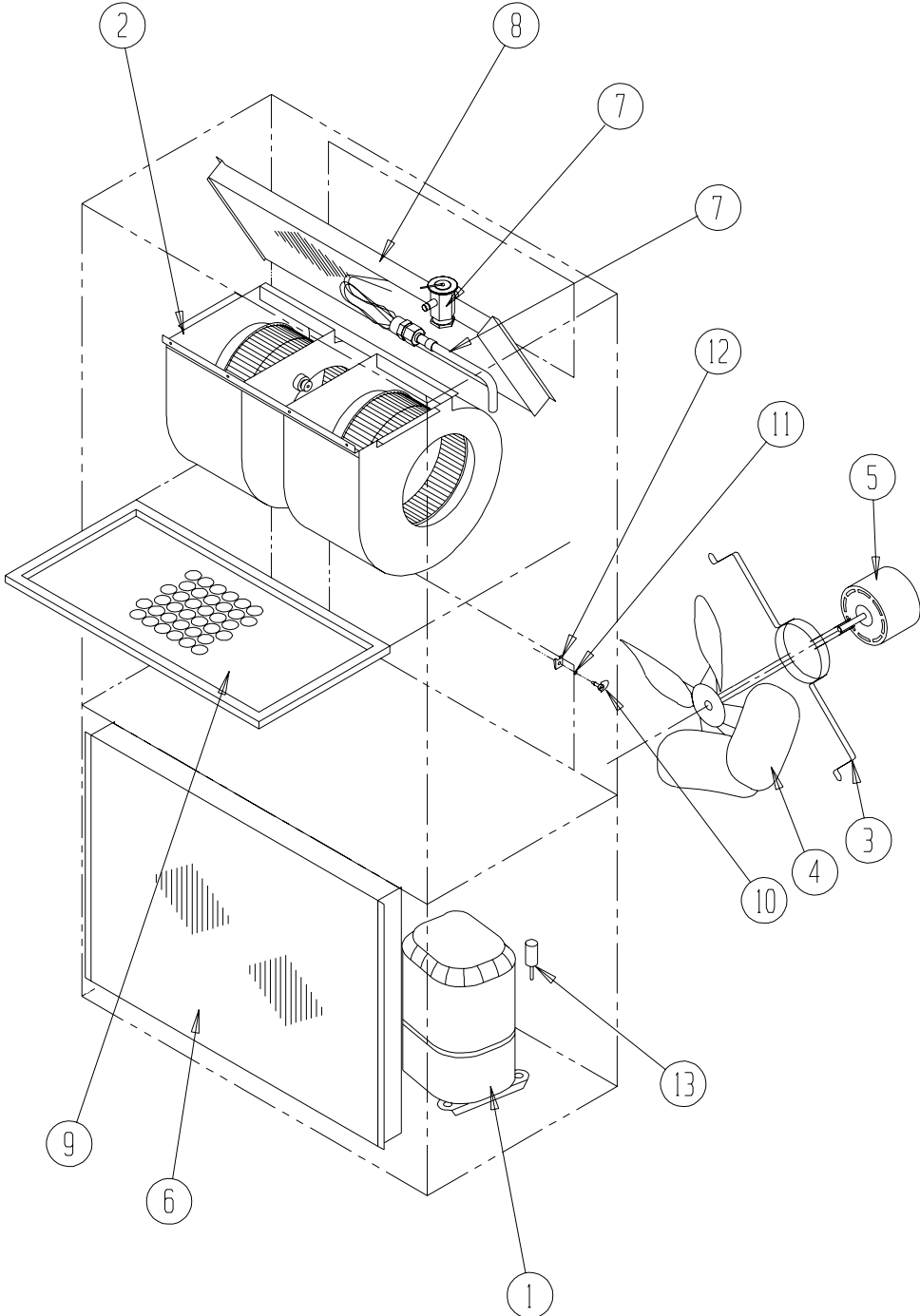


CABINET COMPONENTS

Drawing No.	Part No.	Description	W70L1-A, B	W70L1-C
1	S127Y214	Lower Base	X	X
2	S500-367-* ①	Right Side	X	X
2	S500-547 ②	Right Side	X	X
3	S500-368-* ①	Left Side	X	X
3	S500-548 ②	Left Side	X	X
4	S508-129	Back	X	X
4	S508-229 ②	Back	X	X
5	S506-142-* ①	Top	X	X
5	S506-251 ②	Top	X	X
6	S515-144-* ①	Upper Front	X	X
6	S514-142 ②	Upper Front	X	X
7	S552-383-* ①	Vent Option Door	X	X
7	S552-456 ②	Vent Option Door	X	X
8	118-053-*①	Condenser Grille	X	X
8	118-082 ②	Condenser Grille	X	X
9	118-058-*①	Side Grille	2	2
9	118-081 ②	Side Grille	2	2
10	S521Y258	Condenser Partition	X	X
11	123-091	Drain Pan	X	X
12	121Y216	Blower Partition	X	X
13	Control Panel Assembly	See Control Panel Assembly Drawing & Parts List	X	X
14	S133-114	Control Panel Cover (Inner)	X	
14	S133-171	Control Panel Cover (Inner)		X
15	S533-140-* ①	Control Panel Cover (Outer)	X	X
15	S533-186 ②	Control Panel Cover (Outer)	X	X
16	S153-218-* ①	Disconnect Access Door	X	X
16	S153-387 ②	Disconnect Access Door	X	X
17	125-029	Fan Shroud	X	X
17	125-059 ③	Fan Shroud	X	X
18	113-140	Bottom Mounting Bracket	X	X
19	137-209	Fill	X	X
20	BFAD-5	Fresh Air Damper Assembly	X	X
22	131Y099	Filter Tray	X	X
23	105Y878	Left Side Support	X	X
24	147-046	Left Evaporator Support	X	X
25	135-128	Raceway	2	2
26	S111Y034	Outlet Air Frame Assembly	X	X
27	105Y877	Right Side Support	X	X
28	S143-042-* ①	Right Side Cover Plate (Outer)	X	X
28	S143-105 ②	Right Side Cover Plate (Outer)	X	X
29	135-129	Heat Shield	X	X
30	113-150-*①	Top Rain Flashing	X	X
31	S553-384-* ①	Filter Door Assembly	X	X
31	S552-457 ②	Filter Door Assembly	X	X
NS	S536-498	Condenser Partition Block Off Plate	X	X

NS = Not Shown

FUNCTIONAL COMPONENTS



SEXP-177 A

FUNCTIONAL COMPONENTS

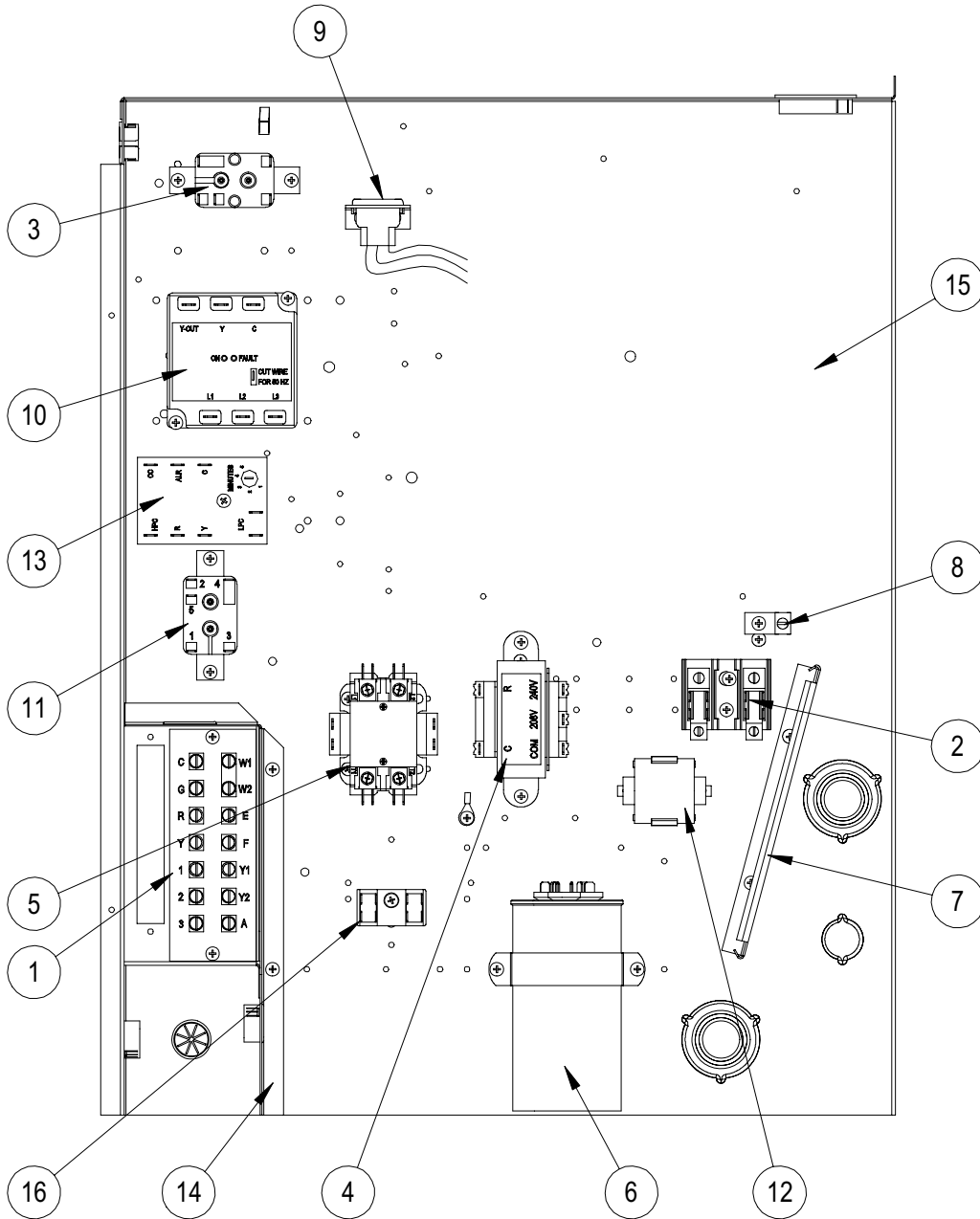
Drawing No.	Part No.	Description	W70A1-A/L1-A	W70A1-B/L1-B	W70A1-C/L1-C	W70A1-P
1	8000-337	Compressor	X			
1	8000-338	Compressor		X		
1	8000-339	Compressor			X	X
2	S900-185	Blower Assembly	X	X		X
2	S900-186	Blower Assembly			X	
3	8200-004	Fan Motor Mount	X	X	X	X
4	5151-030	Fan Blade	X	X	X	X
5	8107-010	Condenser Motor			X	
5	8106-016	Condenser Motor	X	X		X
6	5051-088BX	Condenser Coil	X	X	X	X
7	800-0395	Distributor Assembly	X	X	X	X
7	5651-189	TXV	X	X	X	X
8	5060-082BX	Evaporator Coil	X	X	X	X
9	7004-016	Air Filter 1" Throw-Away	X	X	X	X
9	7003-030	Air Filter 1" Washable	X	X	X	X
9	7004-027	Air Filter 2" Pleated	X	X	X	X
10	1171-022	1/4 Turn Fastener	X	X	X	X
11	1171-024	1/4 Turn Retainer	X	X	X	X
12	1171-023	1/4 Turn Receptacle	X	X	X	X
NS	5201-002	Filter Drier	X	X	X	X
NS	CMA-28	Low Ambient Control	X	X	X	X
NS	1804-0385	High Pressure Switch (Flare)	X	X	X	X
NS	1804-0386	Low Pressure Switch (Flare)	X	X	X	X

① Optional on these models.

② Circuit breakers listed are for units without electric heat "0Z" models. Hot gas bypass models not available without electric heat. See Heater Replacement Parts Manual for units with electric heat.

NS = Not shown

CONTROL PANEL



SEXP-512

CONTROL PANEL

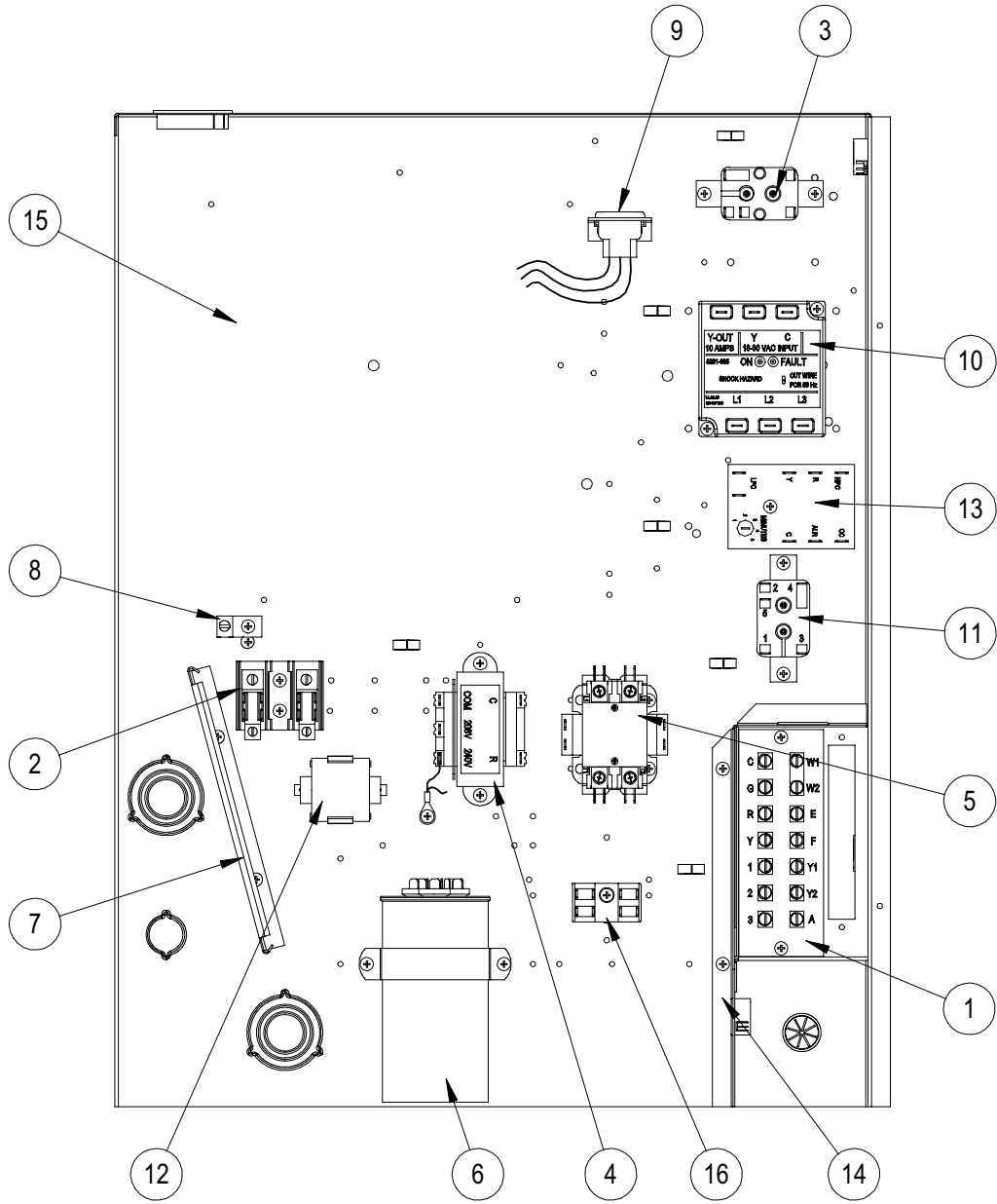
Drawing No.	Part No.	Description	W70A1-A	W70A1-B	W70A1-C	W70A1-P
1	8607-024	Low Voltage Terminal Strip	X	X	X	X
2	8607-013	Terminal Block 2 Pole	X			2
2	8607-014	Terminal Block 3 Pole		X	X	
2	8607-015	Phenolic Insulator			X	
3	8201-009	Blower Control Relay	X	X		X
3	8201-032	Blower Control Relay			X	
4	8407-034	Transformer	X	X		X
4	8407-042	Transformer			X	
5	8401-002	Compressor Contactor		X	X	X
5	8401-025	Compressor Contactor	X			
6	8552-082	Compressor Capacitor	X			
6	8552-004	Outdoor Motor Capacitor		X		
6	8552-005	Outdoor Motor Capacitor			X	X
7	135-130	Wire Shield	X	X	X	X
8	8611-006	Ground Terminal	X	X	X	X
9	3000-1017	6 Pin Connector	X	X	X	X
10	8201-085	Phase Monitor		X	X	X
11	8201-062	Alarm Relay ①	X	X	X	X
12	8551-004	Start Device (PTCR) ①	X			
13	8201-088	Compressor Control Module	X	X	X	X
14	117X139	Low Voltage Box	X	X	X	X
15	117X143	Control Panel	X	X	X	X
16	8607-017	Terminal Block ①	X	X	X	X
NS	8615-041	Circuit Breaker 60A 2 Pole ②	X			
NS	8615-045	Circuit Breaker 50A 3 Pole ②		X		
NS	8615-067	Toggle Disconnect ②			X	X
NS	4095-151	Wiring Diagram	X			
NS	4095-246	Wiring Diagram		X		
NS	4095-344	Wiring Diagram			X	
NS	4095-633	Wiring Diagram				X

① Optional on these models.

② Circuit breakers listed are for units without electric heat "OZ" models. Hot gas bypass models not available without electric heat. See Heater Replacement Parts Manual for units with electric heat.

NS = Not shown

CONTROL PANEL

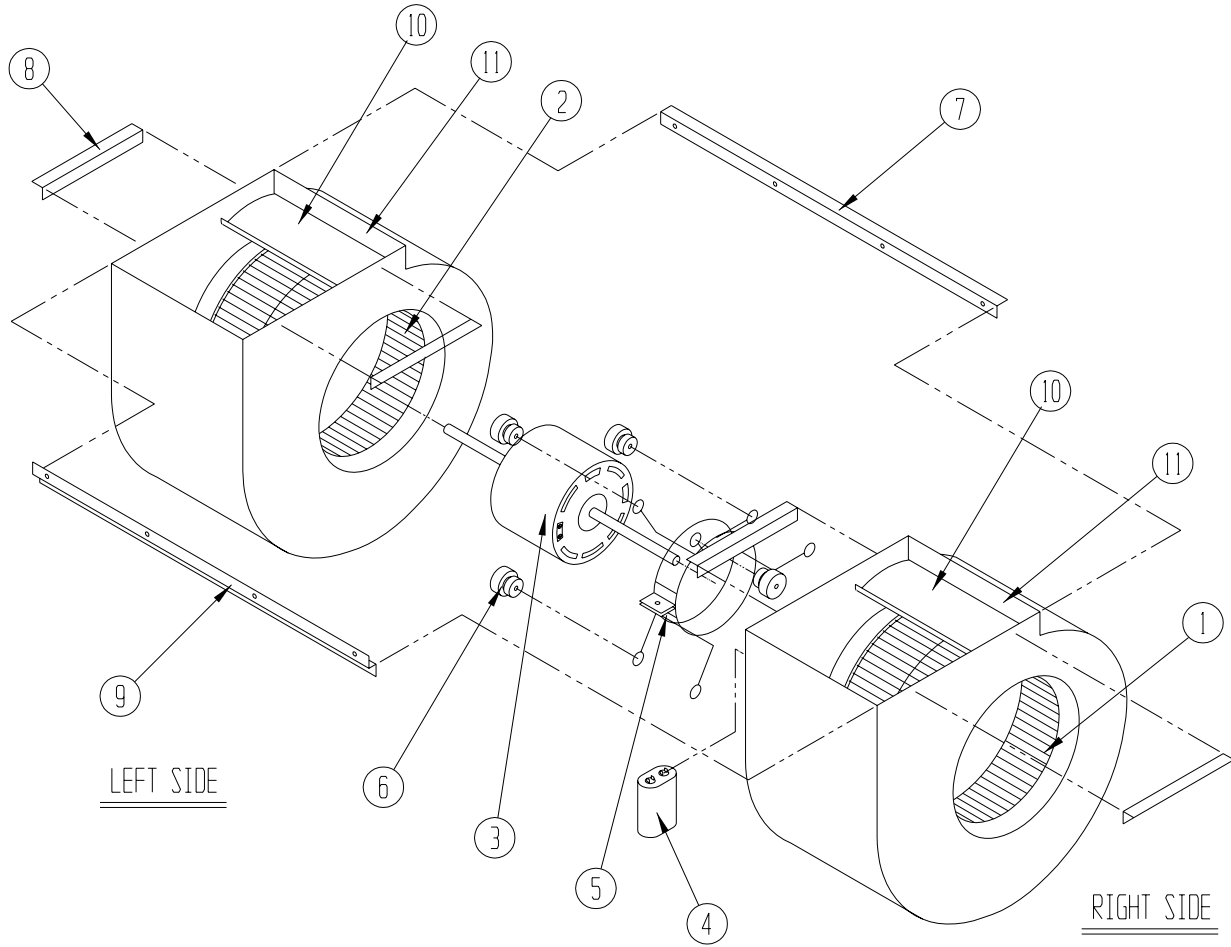


SEXP-519

CONTROL PANEL

Drawing No.	Part No.	Description	W70L1-A	W70L1-B	W70L1-C
1	8607-024	Low Voltage Terminal Strip	X	X	X
2	8607-013	Terminal Block 2 Pole	X		
2	8607-014	Terminal Block 3 Pole		X	X
2	8607-015	Phenolic Insulator			X
3	8201-009	Blower Control Relay	X	X	
3	8201-032	Blower Control Relay			X
4	8407-034	Transformer	X	X	
4	8407-042	Transformer			X
5	8401-002	Compressor Contactor		X	X
5	8401-025	Compressor Contactor	X		
6	8552-005	Outdoor Motor Capacitor			X
6	8552-082	Compressor Capacitor	X		
6	8552-004	Compressor Capacitor		X	
7	135-130	Wire Shield	X	X	X
8	8611-006	Ground Terminal	X	X	X
9	3000-1017	6 Pin Connector	X	X	X
10	8201-085	Phase Monitor		X	X
11	8201-062	Alarm Relay (Optional)	X	X	X
12	8551-004	Start Device (PTRC) (Optional)	X		
13	8201-088	Compressor Control Module	X	X	X
14	117Y139	Low Voltage Box	X	X	X
15	117Y143	Control Panel	X	X	X
16	8607-017	Terminal Block (Optional)	X	X	X
NS	8615-067	Toggle Disconnect ☉			X
NS	8615-045	Circuit Breaker 50A 3 Pole ☉		X	
NS	8615-041	Circuit Breaker 60A 2 Pole ☉	X		
NS	4095-151	Wiring Diagram	X		
NS	4095-246	Wiring Diagram		X	
NS	4095-344	Wiring Diagram			X

BLOWER ASSEMBLY



SEXP-178

Drawing No.	Part No.	Description	900-185	900-186
1	5152-011	10 Inch Wheel (CW)	X	X
2	5152-012	10 Inch Wheel (CCW)	X	X
3	8106-046	Blower Motor (230/208)	X	
3	8106-025	Blower Motor (460)		X
4	8552-011	Capacitor	X	X
5	8200-040	Motor Mount	X	X
6	5451-011	Grommets	6	6
7	105-881	Back Brace	X	X
8	105-880	Side Angle	4	4
9	103-389	Front Brace	X	X
10	151-101	Housing	2	2
11	144-166	Diffuser	2	2