
REPLACEMENT PARTS MANUAL

WALL MOUNTED PACKAGE AIR CONDITIONER

Models: **W3RV1, W3LV1**

General Notes

- Revised and/or additional pages may be issued from time to time.
- A complete and current manual consists of pages shown in the following contents section.

Important

- Contact the installing and/or local Bard distributor for all parts requirements. Make sure you have the complete model and serial number available from the unit rating plates.

Contents

| Description | Page |
|-----------------------------------|------|
| Cabinet Components | |
| ♦ Exploded View – Right | 2 |
| ♦ Usage List – Right | 3 |
| Cabinet Components | |
| ♦ Exploded View – Left | 4 |
| ♦ Usage List – Left | 5 |
| Functional Components | |
| ♦ Exploded View – Right | 6 |
| ♦ Exploded View – Left | 7 |
| ♦ Usage List – Right & Left | 8 |
| Control Panel | |
| ♦ Exploded View – Right | 9 |
| ♦ Exploded View – Left | 10 |
| ♦ Usage List – Right & Left | 11 |
| Blower Assembly | |
| ♦ Exploded View | 12 |
| ♦ Usage List | 12 |

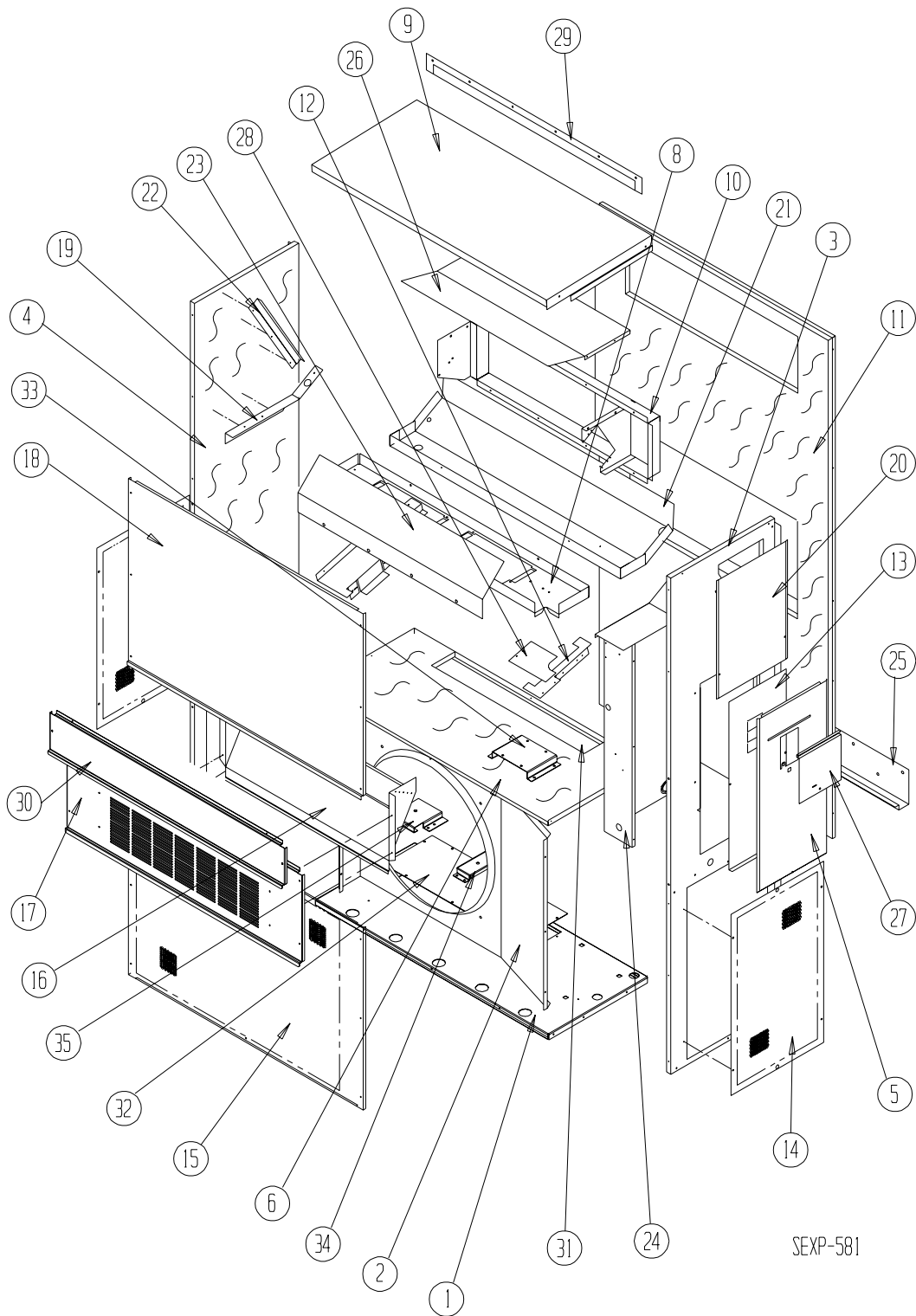


Bard Manufacturing Company, Inc.
Bryan, Ohio 43506
Since 1914...Moving ahead, just as planned.

Manual: 2110-495B
Supersedes: 2110-495A
File: Tab 16
Date: 02-02-11

CLIMATE CONTROL SOLUTIONS

CABINET COMPONENTS – RIGHT



CABINET COMPONENTS – RIGHT

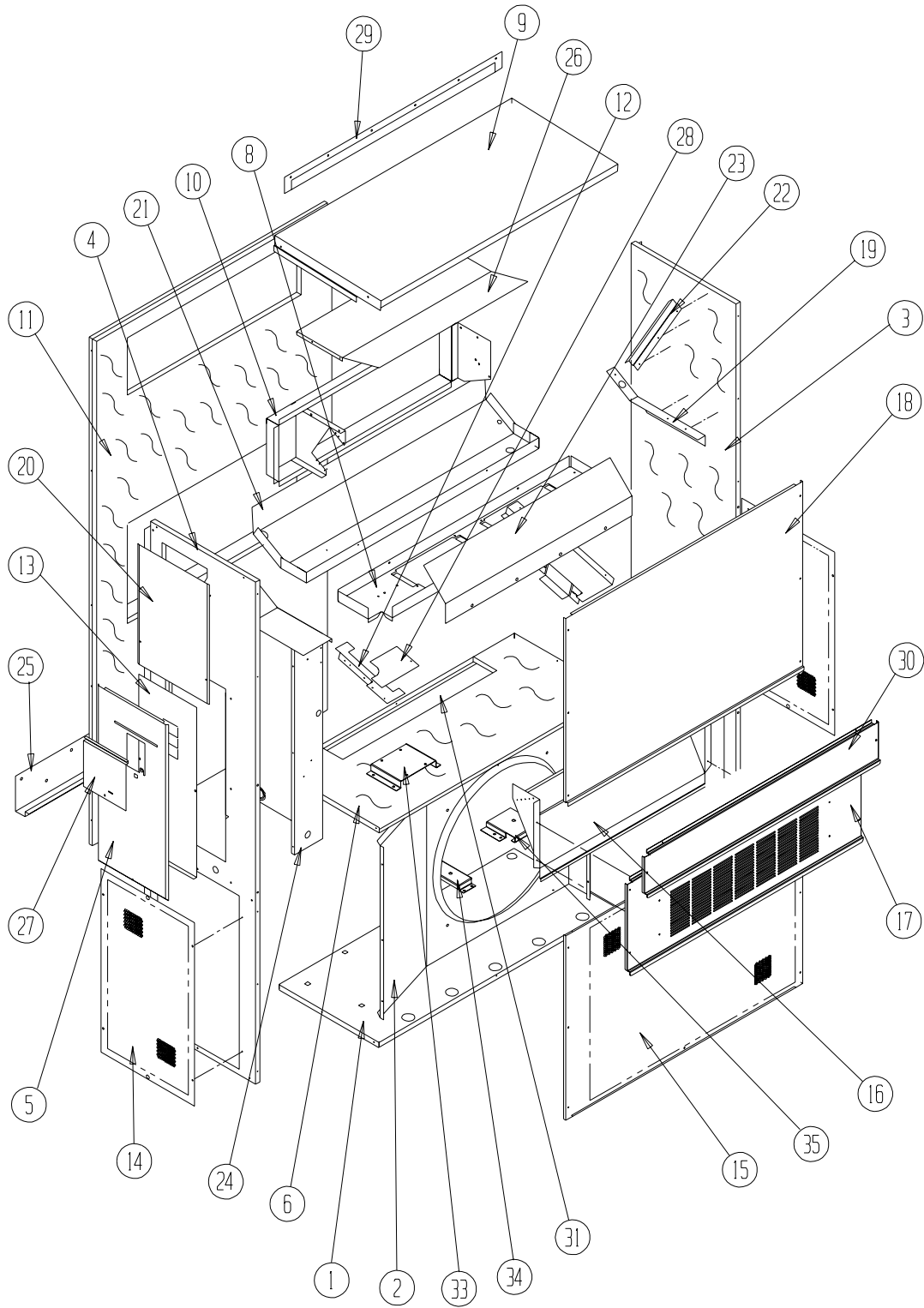
| Drawing No. | Part No. | Description | W3RV1-R,S | W3RV1-T |
|-------------|------------------------|---|-----------|---------|
| | | | | |
| 1 | S127X390 | Lower Base | X | X |
| 1 | S127X391 ① | Lower Base | X | X |
| 2 | 125-022 | Fan Shroud | X | X |
| 2 | 125-057 ③ | Fan Shroud | X | X |
| 3 | S500-228-* ① | Right Side | X | X |
| 3 | S500-441 ② | Right Side | X | X |
| 3 | S500-527 ③ | Right Side | X | X |
| 4 | S500-229-* ① | Left Side | X | X |
| 4 | S500-442 ② | Left Side | X | X |
| 4 | S500X528 ③ | Left Side | X | X |
| 5 | S533-109-* ① | Control Panel Cover (Outer) | X | X |
| 5 | S533-182 ② | Control Panel Cover (Outer) | X | X |
| 5 | S533-197 ③ | Control Panel Cover (Outer) | X | X |
| 6 | S521X384 | Condenser Partition | X | X |
| 8 | 121X182 | Blower Partition | X | X |
| 9 | S506-130-* ① | Top | X | X |
| 9 | S506-245 ② | Top | X | X |
| 9 | S506-275 ③ | Top | X | X |
| 10 | S111X030 | Outlet Airframe Assembly | X | X |
| 11 | S508-088 | Back | X | X |
| 11 | S508-185 ② | Back | X | X |
| 11 | S508-222 ③ | Back | X | X |
| 12 | 113X195 | Filter Bracket | 2 | 2 |
| 13 | S132-104 | Control Panel Cover (Inner) | X | |
| 13 | S132-208 | Control Panel Cover (Inner) | | X |
| 14 | 118-056-* ① | Side Grille | 2 | 2 |
| 14 | 118-060 ② | Side Grille | 2 | 2 |
| 14 | 118-067 ③ | Side Grille | 2 | 2 |
| 15 | 118-059-* ① | Condenser Grille | X | X |
| 15 | 118-061 ② | Condenser Grille | X | X |
| 15 | 118-066 ③ | Condenser Grille | X | X |
| 16 | BFAD-3 | Fresh Air Damper Assembly | X | X |
| 17 | S552-443-* ① | Vent Option Door | X | X |
| 17 | S552-446 ② | Vent Option Door | X | X |
| 17 | S552-458 ③ | Vent Option Door | X | X |
| 18 | S514-160-* ① | Upper Front | X | X |
| 18 | S514-161 ② | Upper Front | X | X |
| 18 | S514-166 ③ | Upper Front | X | X |
| 19 | 105X850 | Left Side Support | X | X |
| 20 | S143-034-* ① | Right Side Cover Plate (Outer) | X | X |
| 20 | S143-103 ② | Right Side Cover Plate (Outer) | X | X |
| 20 | S143-127 ③ | Right Side Cover Plate (Outer) | X | X |
| 21 | S123-127 | Drain Pan | X | X |
| 22 | 147-044 | Evaporator Support | X | X |
| 23 | 135-124 | Air Baffle | X | X |
| 24 | Control Panel Assembly | See Control Panel Assembly Drawing and Parts List | X | X |
| 25 | 113-140 | Bottom Mounting Bracket | 1 | 1 |
| 26 | 135X123 | Heat Shield | X | X |
| 27 | S153-218-* ① | Disconnect Access Door | X | X |
| 27 | S153-387 ② | Disconnect Access Door | X | X |
| 27 | S153-405 ③ | Disconnect Access Door | X | X |
| 28 | 137-259 | Fill Plate | X | X |
| 29 | 113-149-* ① | Top Rain Flashing | X | X |
| 29 | 113-360 ③ | Top Rain Flashing | X | X |
| 30 | S552-444-* ① | Filter Door | X | X |
| 30 | S552-447 ② | Filter Door | X | X |
| 30 | S552-459 ③ | Filter Door | X | X |
| 31 | S536X609 | Condenser Partition Block-Off Plate | X | X |
| 32 | 136-607 | Base Grille Plate | | X |
| 32 | 136-608 ① | Base Grille Plate | X | |
| 33 | 113-412 | Fan Motor Control Mount | X | X |
| 34 | 113-406 | Accumulator Bracket | X | X |
| 35 | 113-407 | Receiver Bracket | X | X |

① Exterior cabinet parts are manufactured with various paint color options. To insure that you receive the proper paint color, you must include the complete model and serial number of the unit for which cabinet parts are being ordered.

② Note: Exterior cabinet parts are manufactured from aluminum Code "A"

③ Note: Exterior cabinet parts are manufactured from stainless steel Code "S"

CABINET COMPONENTS – LEFT



SEXP-584

CABINET COMPONENTS – LEFT

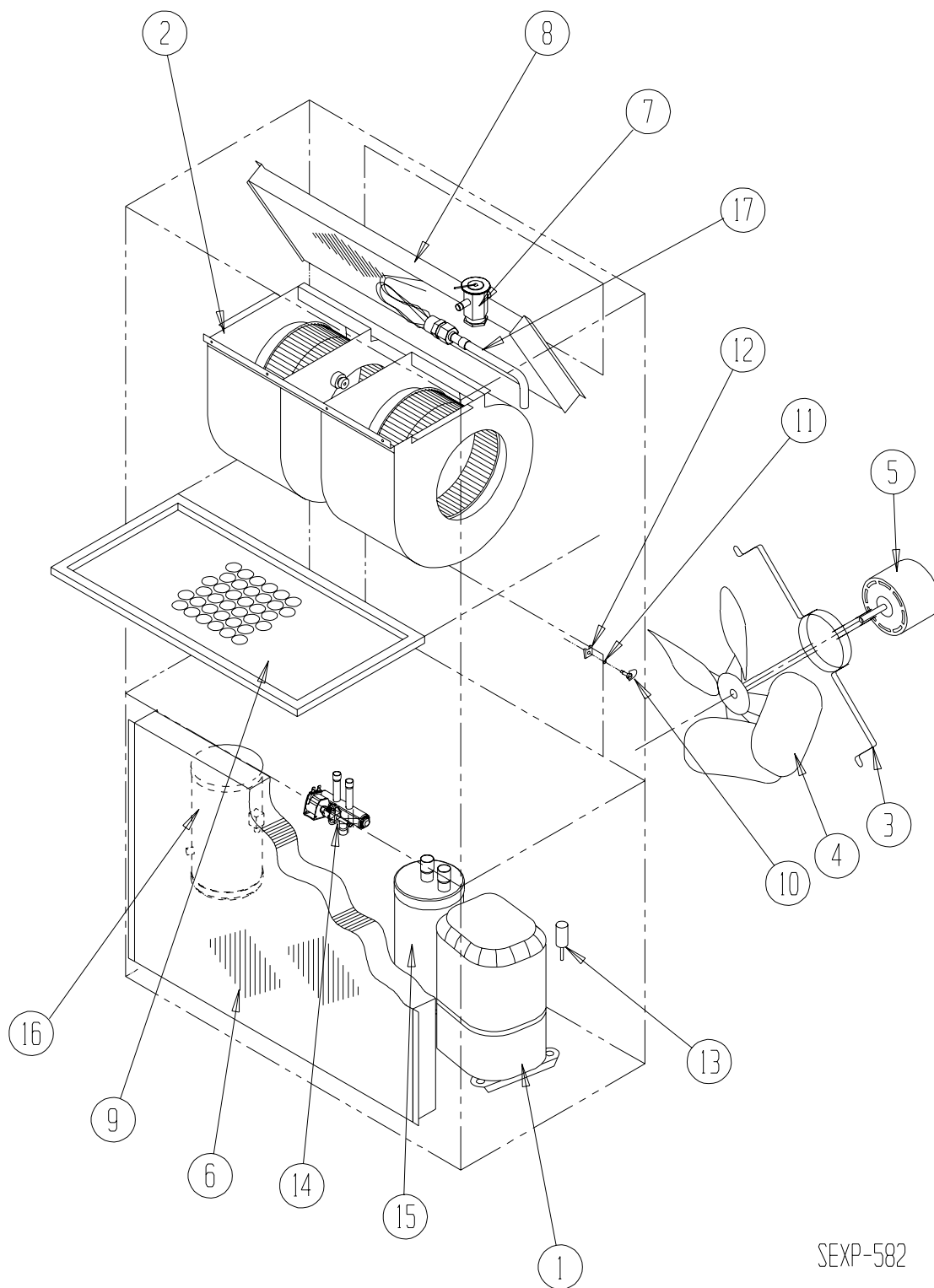
| Drawing No. | Part No. | Description | W3LV1-R,S | W3LV1-T |
|-------------|------------------------|---|-----------|---------|
| | | | | |
| 1 | S127Y199 | Lower Base | X | X |
| 1 | S127Y368 ③ | Lower Base | X | X |
| 2 | 125-022 | Fan Shroud | X | X |
| 2 | 125-057 ③ | Fan Shroud | X | X |
| 3 | S500-318-* ① | Right Side | X | X |
| 3 | S500-458 ② | Right Side | X | X |
| 3 | S500Y528 ③ | Right Side | X | X |
| 4 | S500-317-* ① | Left Side | X | X |
| 4 | S500-459 ② | Left Side | X | X |
| 4 | S500-529 ③ | Left Side | X | X |
| 5 | S533-136-* ① | Control Panel Cover (Outer) | X | X |
| 5 | S533-184 ② | Control Panel Cover (Outer) | X | X |
| 5 | S533-204 ③ | Control Panel Cover (Outer) | X | X |
| 6 | S521Y384 | Condenser Partition | X | X |
| 8 | 121Y182 | Blower Partition | X | X |
| 9 | S506-130-* ① | Top | X | X |
| 9 | S506-245 ② | Top | X | X |
| 9 | S506-275 ③ | Top | X | X |
| 10 | S111Y030 | Outlet Airframe Assembly | X | X |
| 11 | S508-088 | Back | X | X |
| 11 | S508-185 ② | Back | X | X |
| 11 | S508-222 ③ | Back | X | X |
| 12 | 113Y195 | Filter Bracket | 2 | 2 |
| 13 | S132-104 | Control Panel Cover (Inner) | X | |
| 13 | S132-208 | Control Panel Cover (Inner) | | X |
| 14 | 118-056-* ① | Side Grille | 2 | 2 |
| 14 | 118-060 ② | Side Grille | 2 | 2 |
| 14 | 118-067 ③ | Side Grille | 2 | 2 |
| 15 | 118-047-* ① | Condenser Grille | X | X |
| 15 | 118-062 ② | Condenser Grille | X | X |
| 15 | 118-075 ③ | Condenser Grille | X | X |
| 16 | BFAD-3 | Fresh Air Damper Assembly | X | X |
| 17 | S552-443-* ① | Vent Option Door | X | X |
| 17 | S552-446 ② | Vent Option Door | X | X |
| 17 | S552-458 ③ | Vent Option Door | X | X |
| 18 | S514-160-* ① | Upper Front | X | X |
| 18 | S514-161 ② | Upper Front | X | X |
| 18 | S514-166 ③ | Upper Front | X | X |
| 19 | 105Y850 | Left Side Support | X | X |
| 20 | S143-034-* ① | Side Cover Plate (Outer) | X | X |
| 20 | S143-103 ② | Side Cover Plate (Outer) | X | X |
| 20 | S143-127 ③ | Side Cover Plate (Outer) | X | X |
| 21 | S123-130 | Drain Pan | X | X |
| 22 | 147-044 | Right Evaporator Support | X | X |
| 23 | 135-124 | Air Baffle | X | X |
| 24 | Control Panel Assembly | See Control Panel Assembly Drawing and Parts List | X | X |
| 25 | 113-140 | Bottom Mounting Bracket | 1 | 1 |
| 26 | 135Y123 | Heat Shield | X | X |
| 27 | S153-218-* ① | Disconnect Access Door | X | X |
| 27 | S153-387 ② | Disconnect Access Door | X | X |
| 27 | S153-405 ③ | Disconnect Access Door | X | X |
| 28 | 137-259 | Fill Plate | X | X |
| 29 | 113-149-* ① | Top Rain Flashing | X | X |
| 29 | 113-360 ③ | Top Rain Flashing | X | X |
| 30 | S552-444-* ① | Filter Door | X | X |
| 30 | S552-447 ② | Filter Door | X | X |
| 30 | S552-459 ③ | Filter Door | X | X |
| 31 | S536Y609 | Condenser Partition Block-Off Plate | X | X |
| 33 | 113-412 | Fan Motor Control Mount | X | X |
| 34 | 113-406 | Accumulator Bracket | X | X |
| 35 | 113-407 | Receiver Bracket | X | X |

① Exterior cabinet parts are manufactured with various paint color options. To insure that you receive the proper paint color, you must include the complete model and serial number of the unit for which cabinet parts are being ordered.

② Note: Exterior cabinet parts are manufactured from aluminum Code "A"

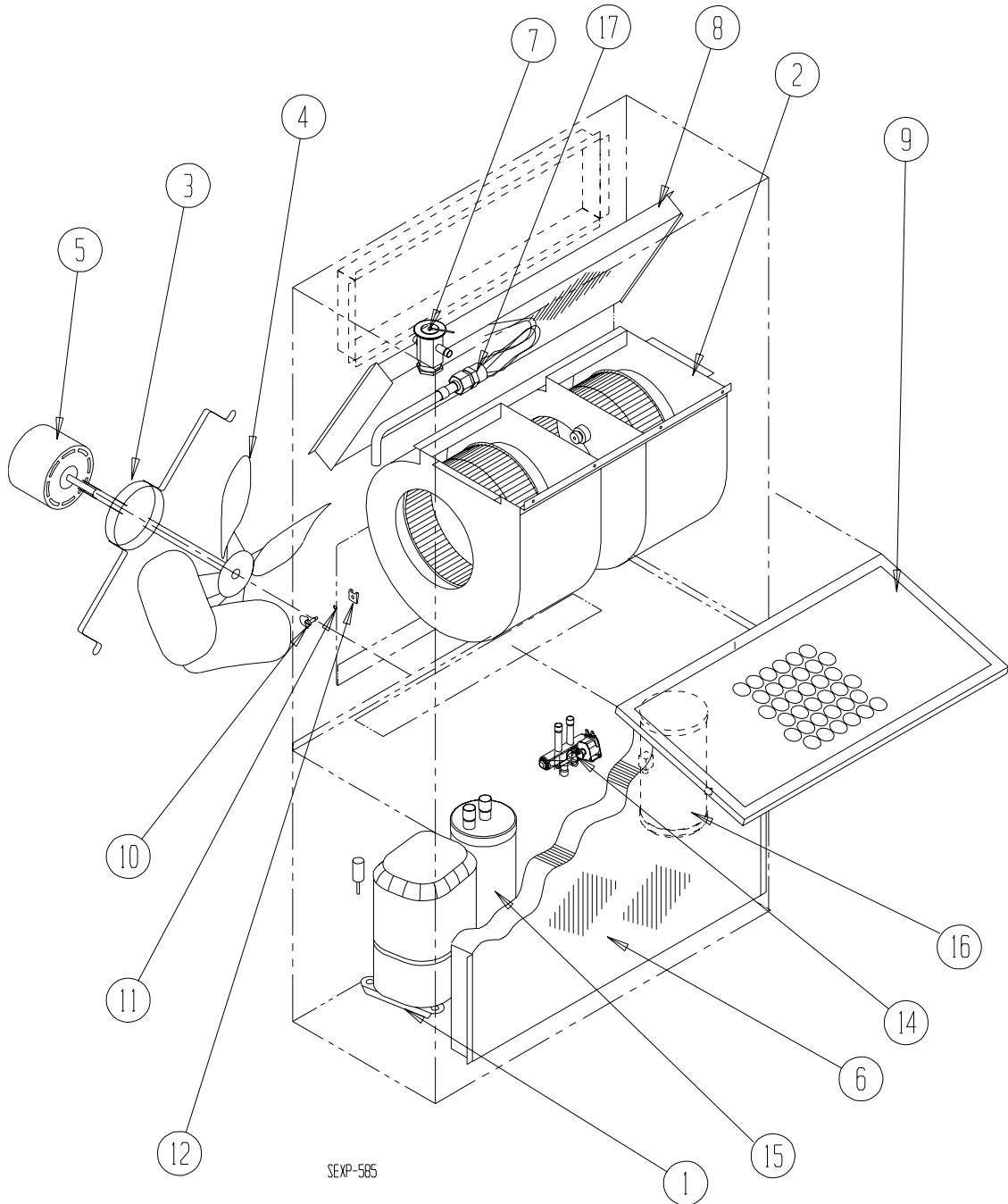
③ Note: Exterior cabinet parts are manufactured from stainless steel Code "S"

FUNCTIONAL COMPONENTS – RIGHT HAND



SEXP-582

FUNCTIONAL COMPONENTS – LEFT HAND



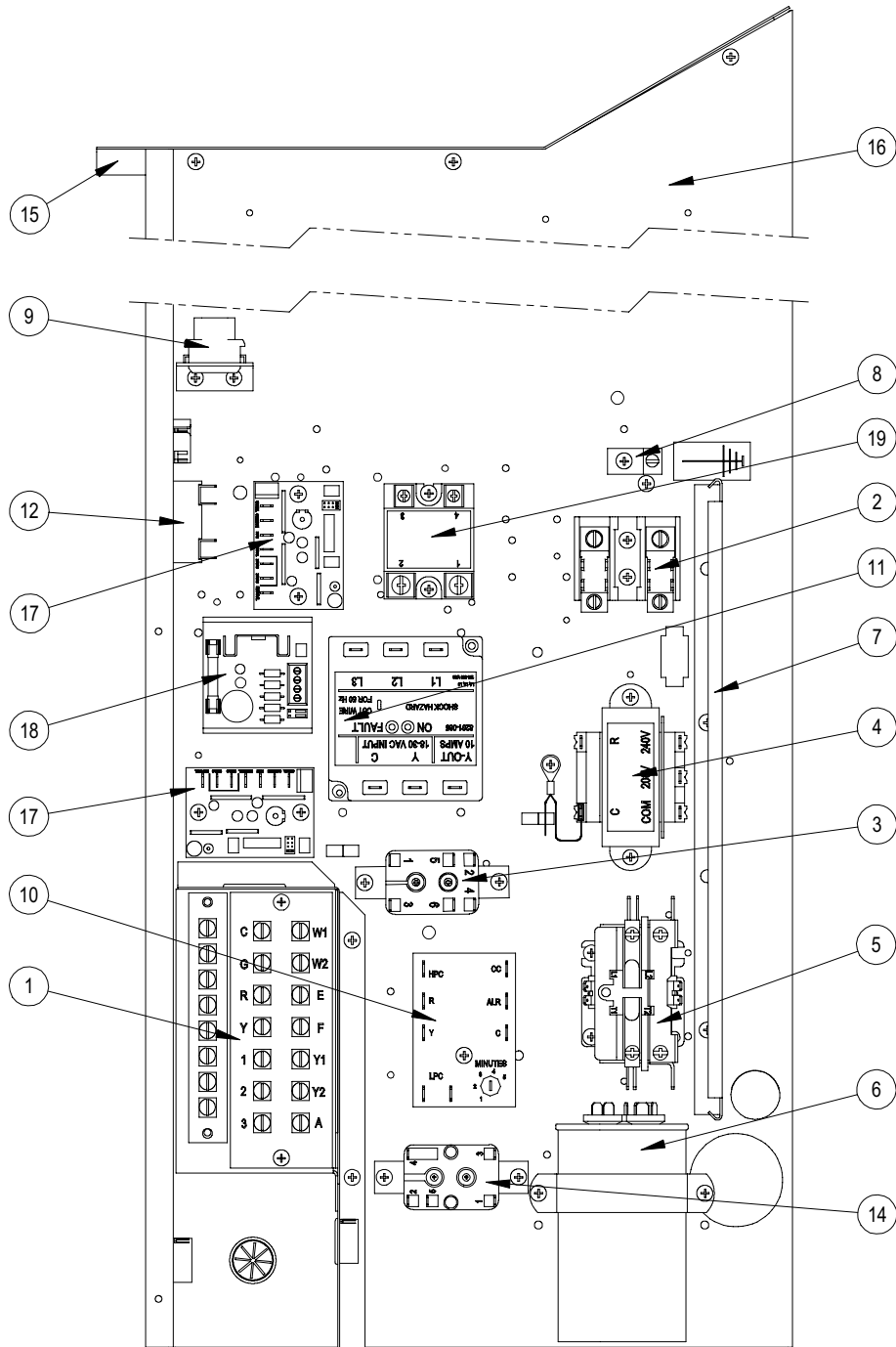
FUNCTIONAL COMPONENTS – RIGHT & LEFT HAND

| Drawing No. | Part No. | Description | W3RV1-R | W3RV1-S | W3RV1-T | W3LV1-R | W3LV1-S | W3LV1-T |
|-------------|----------------|--|---------|---------|---------|---------|---------|---------|
| 1 | 8000-355 | Compressor | X | | | X | | |
| 1 | 8000-356 | Compressor | | X | | | X | |
| 1 | 8000-357 | Compressor | | | X | | | X |
| 2 | S900-307-001 | Blower Assembly | X | X | X | X | X | X |
| 3 | 8200-001 | Fan Motor Mount | X | X | X | X | X | X |
| 4 | 5151-045 | Fan Blade | X | X | X | X | X | X |
| 5 | S8106-047-0076 | 1/2 HP ECM Motor with Programmed Control | X | X | X | X | X | X |
| 5 | C8106-047-0076 | Programmed Motor Control - Only | X | X | X | X | X | X |
| 6 | 5051-066BX | Condenser Coil | X | X | X | | | |
| 6 | 5051-089BX | Condenser Coil | | | | X | X | X |
| 7 | 5651-214 | Cooling TXV | X | X | X | X | X | X |
| 8 | 5060-064BX | Evaporator Coil | X | X | X | X | X | X |
| 9 | 7004-019 | Air Filter 1" Throw-Away | X | X | X | X | X | X |
| 9 | 7003-031 | Air Filter 1" Washable ① | X | X | X | X | X | X |
| 9 | 7004-026 | Air Filter 2" Pleated ① | X | X | X | X | X | X |
| 10 | 1171-022 | 1/4 Turn Fastener | X | X | X | X | X | X |
| 11 | 1171-024 | 1/4 Turn Retainer | X | X | X | X | X | X |
| 12 | 1171-023 | 1/4 Turn Receptacle | X | X | X | X | X | X |
| 13 | 1804-0385 | High Pressure Switch (Flare) | X | X | X | X | X | X |
| 13 | 1804-0107 | Low Pressure Switch (Flare) | X | X | X | X | X | X |
| 14 | 5650-049 | Solenoid Valve | X | X | X | X | X | X |
| 15 | 5202-022 | Accumulator | X | X | X | X | X | X |
| 16 | 5203-004 | Receiver | X | X | X | X | X | X |
| 17 | 800-0392 | Cooling Distributor Assembly | X | X | X | X | X | X |
| NS | 5201-001 | Filter Drier | X | X | X | X | X | X |
| NS | 8605-017 | Crankcase Heater | X | X | | X | X | |
| NS | 8605-018 | Crankcase Heater | | | X | | | X |
| NS | 8408-039 | Discharge Line Thermostat | X | X | X | X | X | X |
| NS | 8406-128 | Pressure Transducer | X | X | X | X | X | X |

NS – Not Shown

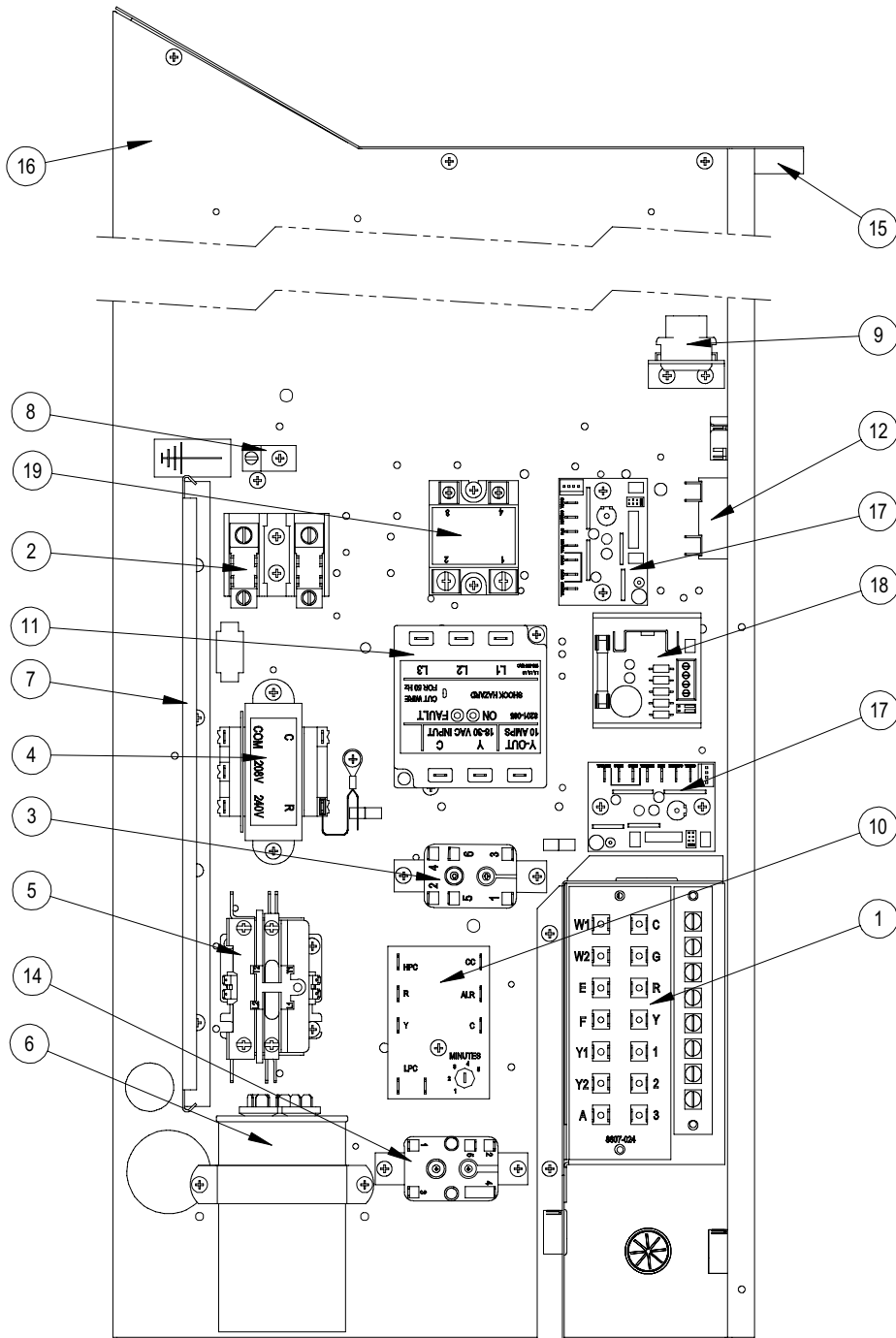
① – Optional

CONTROL PANEL – RIGHT HAND



SEXP-580

CONTROL PANEL – LEFT HAND



SEXP-586

CONTROL PANEL – RIGHT & LEFT HAND

| Drawing No. | Part No. | Description | W3RV1-R | W3RV1-S | W3RV1-T | W3LV1-R | W3LV1-S | W3LV1-T |
|-------------|-----------|--------------------------------------|---------|---------|---------|---------|---------|---------|
| 1 | 8607-024 | Low Voltage Terminal Strip | X | X | X | X | X | X |
| 2 | 8607-013 | Terminal Block 2 Pole | X | | | X | | |
| 2 | 8607-014 | Terminal Block 3 Pole | | X | X | | X | X |
| 2 | 8607-015 | Phenolic Insulator | | | X | | | X |
| 3 | 8201-009 | Crankcase Heat Relay | X | | | X | | |
| 4 | 8407-048 | Transformer | X | X | | X | X | |
| 4 | 8407-050 | Transformer | | | X | | | X |
| 5 | 8401-007 | Compressor Contactor | X | | | X | | |
| 5 | 8401-027 | Compressor Contactor | | X | X | | X | X |
| 6 | 8552-01 | Compressor Capacitor | X | | | X | | |
| 7 | 135-122 | Wire Shield | X | X | X | X | X | X |
| 8 | 8611-006 | Ground Terminal | X | X | X | X | X | X |
| 9 | 3000-1357 | 6 Pin Connector | X | X | X | X | X | X |
| 10 | 8201-088 | Compressor Control Module (Optional) | X | X | X | X | X | X |
| 11 | 8201-126 | Phase Monitor | | X | X | | X | X |
| 12 | 8607-017 | Terminal Block | | | X | | | X |
| 14 | 8201-062 | Alarm Relay | X | X | X | X | X | X |
| 15 | 117X137 | Control Panel Top | X | X | X | | | |
| 15 | 117Y137 | Control Panel Top | | | | X | X | X |
| 16 | 117X123 | Control Panel | X | X | X | | | |
| 16 | 117Y123 | Control Panel | | | | X | X | X |
| 17 | 8201-124 | Blower Control Board | 2 | 2 | 2 | 2 | 2 | 2 |
| 18 | 8301-033 | 5VDC Supply | X | X | X | X | X | X |
| 19 | 8201-123 | Solid State Relay | X | X | X | X | X | X |
| NS | 8301-014 | Outdoor Air Sensor | X | X | X | X | X | X |
| NS | 8403-064 | Thermostat Controller | X | X | X | X | X | X |
| NS | 8614-041 | Fuse Block | | | X | | | X |
| NS | 8614-042 | Fuses | | | X | | | X |
| NS | 8615-038 | Circuit Breaker 35A 2 Pole (Opt) ① | X | | | X | | |
| NS | 8615-052 | Circuit Breaker 30A 3 Pole (Opt) ① | | X | | | X | |
| NS | 8615-068 | Toggle Disconnect (Optional) | | | X | | | X |
| NS | 3000-1356 | Indoor Blower Power Harness | X | X | X | X | X | X |
| NS | 3000-1358 | Indoor Blower Low Voltage | X | X | X | X | X | X |
| NS | 3000-1359 | Outdoor Blower Low Voltage | X | X | X | X | X | X |
| NS | 3000-1360 | Pressure Transducer Harness | X | X | X | X | X | X |
| NS | 3000-1276 | Compressor Harness | X | | | X | | |
| NS | 3000-1244 | Compressor Harness | | X | X | | X | X |
| NS | 4095-157 | Wiring Diagram | X | | | X | | |
| NS | 4095-254 | Wiring Diagram | | X | | | X | |
| NS | 4095-354 | Wiring Diagram | | | X | | | X |

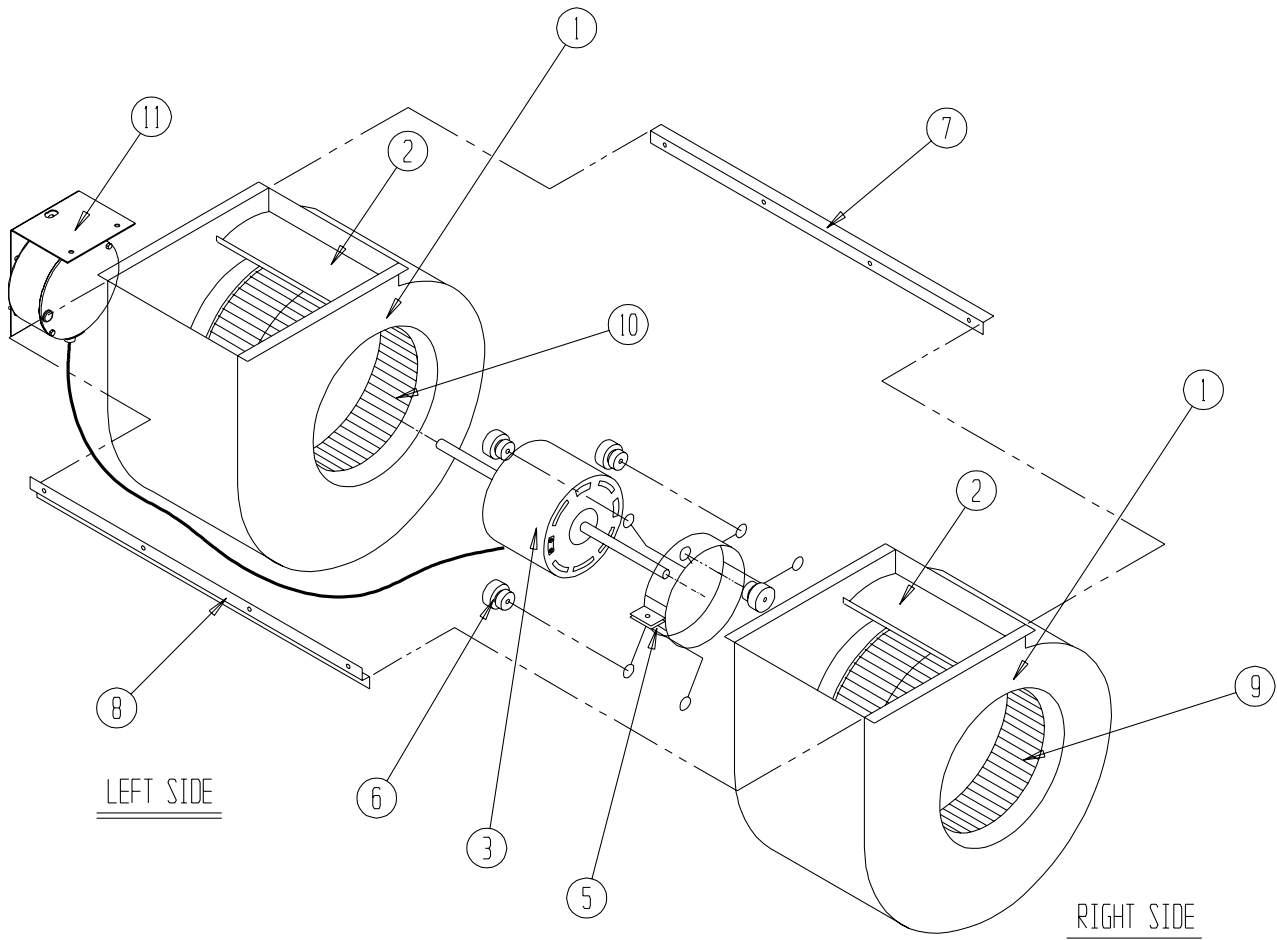
NS – Not Shown

① Circuit breakers listed are for units without electric heat "0Z" models.
See Heater Replacement Parts Manual for units with electric heat.

BLOWER ASSEMBLY

900-307-001

| Drawing No. | Part No. | Description | |
|-------------|----------------|----------------------------|---|
| 1 | 151-111 | Blower Housing | 2 |
| 2 | 144-174 | Diffuser | 2 |
| 3 | S8106-041-0075 | Blower Motor (230/208) | X |
| 3 | C8106-041-0075 | Blower Motor (230/208) | X |
| 5 | 8200-031 | Motor Mount | X |
| 6 | 5451-011 | Grommets | 6 |
| 7 | 105-870 | Back Brace | X |
| 8 | 103-401 | Front Brace | X |
| 9 | 5152-090 | Wheel (CW) | X |
| 10 | 5152-091 | Wheel (CCW) | X |
| 11 | 113-314 | Blower Motor Control Mount | X |



SEXP-583