
REPLACEMENT PARTS MANUAL

WALL MOUNTED VARIABLE CAPACITY ENVIRONMENTAL CONTROL UNITS

Models: **W6RV1, W6LV1**

General Notes

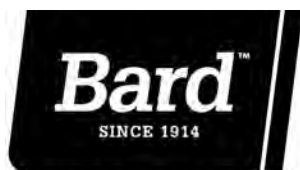
- Revised and/or additional pages may be issued from time to time.
- A complete and current manual consists of pages shown in the following contents section.

Important

- Contact the installing and/or local Bard distributor for all parts requirements. Make sure you have the complete model and serial number available from the unit rating plates.

Contents

| Description | Page |
|---|------|
| Cabinet Components (Extreme Duty Door) | |
| ♦ Exploded View – Right | 2 |
| ♦ Usage List – Right | 3 |
| Cabinet Components (Moderate Duty Door) | |
| ♦ Exploded View – Right | 4 |
| ♦ Usage List – Right | 5 |
| Cabinet Components (Extreme Duty Door) | |
| ♦ Exploded View – Left..... | 6 |
| ♦ Usage List – Left | 7 |
| Cabinet Components (Moderate Duty Door) | |
| ♦ Exploded View – Left..... | 8 |
| ♦ Usage List – Left | 9 |
| Functional Components | |
| ♦ Exploded View – Right | 10 |
| ♦ Exploded View – Left..... | 11 |
| ♦ Usage List – Right & Left..... | 12 |
| Control Panel | |
| ♦ Exploded View – Right | 13 |
| ♦ Exploded View – Left..... | 14 |
| ♦ Usage List – Right & Left..... | 15 |
| Blower Assembly | |
| ♦ Exploded View..... | 16 |
| ♦ Usage List | 16 |



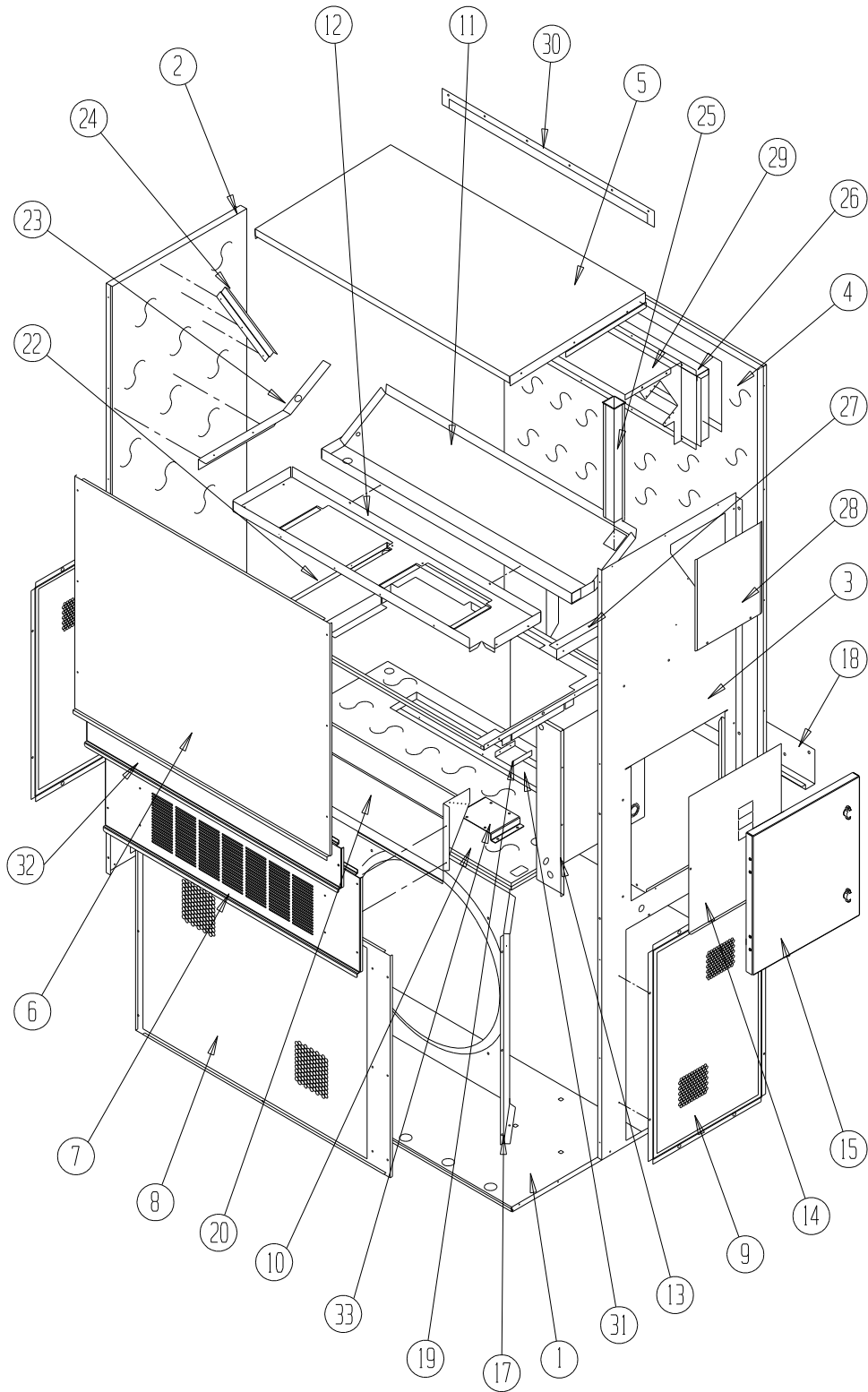
Climate Control Solutions

Bard Manufacturing Company, Inc.
Bryan, Ohio 43506

Since 1914...Moving ahead, just as planned.

Manual: 2110-497F
Supersedes: 2110-497E
File: Tab 16
Date: 09-28-12

CABINET COMPONENTS – RIGHT (EXTREME DUTY DOOR)



SEXP-643

This Exploded View references Table on Page 3

CABINET COMPONENTS – RIGHT (EXTREME DUTY DOOR)

| Drawing No. | Part No. | Description | W6RV1-R,S | W6RV1-T |
|-------------|---------------------|---|-----------|---------|
| | | | | |
| 1 | S127X214 | Lower Base | X | X |
| 1 | S127X369 ③ | Lower Base | X | X |
| 2 | S500-316-* ① | Left Side | X | X |
| 2 | S500-545 ② | Left Side | X | X |
| 2 | S500X543 ③ | Left Side | X | X |
| 3 | S501-661-* ① | Right Side | X | X |
| 3 | S501-673 ② | Right Side | X | X |
| 3 | S501-667 ③ | Right Side | X | X |
| 4 | S508-129 | Back | X | X |
| 4 | S508-229 ② | Back | X | X |
| 4 | S508-228 ③ | Back | X | X |
| 5 | S506-142-* ① | Top | X | X |
| 5 | S506-251 ② | Top | X | X |
| 5 | S506-274 ③ | Top | X | X |
| 6 | S515-144-* ① | Upper Front | X | X |
| 6 | S514-142 ② | Upper Front | X | X |
| 6 | S514-162 ③ | Upper Front | X | X |
| 7 | S553-383-* ① | Vent Option Door | X | X |
| 7 | S552-408 ① | Vent Option Door with ERV | X | X |
| 7 | S552-456 ② | Vent Option Door | X | X |
| 7 | S553-449 ③ | Vent Option Door | X | X |
| 8 | 118-052-* ① | Condenser Grille | X | X |
| 8 | 118-080 ② | Condenser Grille | X | X |
| 8 | 118-078 ③ | Condenser Grille | X | X |
| 9 | 118-058-* ① | Side Grille | 2 | 2 |
| 9 | 118-081 ② | Side Grille | 2 | 2 |
| 9 | 118-079 ③ | Side Grille | 2 | 2 |
| 10 | S521X258 | Condenser Partition | X | X |
| 11 | S123-102 | Drain Pan | X | X |
| 12 | 121X216 | Blower Partition | X | X |
| 13 | Control Panel Assy. | See Control Panel Assy. Dwg. & Parts List | X | X |
| 14 | S132-114 | Control Panel Cover (Inner) | X | |
| 14 | S132-171 | Control Panel Cover (Inner) | | X |
| 15 | DDD5A-* ① | Control Panel Cover (Outer) | X | X |
| 15 | DDD5A-S ④ | Control Panel Cover (Outer) | X | X |
| 17 | 125-029 | Fan Shroud | X | X |
| 17 | 125-059 ③ | Fan Shroud | X | X |
| 18 | 113-140 | Bottom Mounting Bracket | X | X |
| 19 | 137-209 | Fill | X | X |
| 20 | BFAD-5 | Fresh Air Damper Assembly | X | X |
| 22 | 131X099 | Filter Tray | X | X |
| 23 | 105X877 | Left Side Support | X | X |
| 24 | 147-046 | Left Evaporator Support | X | X |
| 25 | 135-128 | Raceway | X | X |
| 26 | S111X034 | Outlet Air Frame Assembly | X | X |
| 27 | 105X878 | Right Side Support | X | X |
| 28 | S143-042-* ① | Right Side Cover Plate (Outer) | X | X |
| 28 | S143-105 ② | Right Side Cover Plate (Outer) | X | X |
| 28 | S143-125 ③ | Right Side Cover Plate (Outer) | X | X |
| 29 | 135-129 | Heat Shield | X | X |
| 30 | 113-150-* ① | Top Rain Flashing | X | X |
| 30 | 113-359 ③ | Top Rain Flashing | X | X |
| 31 | S536X610 | Condenser Partition Block-Off Plate | X | X |
| 32 | S553-384-* ① | Filter Door Assembly | X | X |
| 32 | S552-457 ② | Filter Door Assembly | X | X |
| 32 | S553-450 ③ | Filter Door Assembly | X | X |
| 33 | 113-412 | Fan Motor Control Mount | X | X |

① Exterior cabinet parts are manufactured with various paint color options. To ensure that you receive the proper paint color, you must include the complete model and serial number of the unit for which cabinet parts are being ordered.

② Note: Exterior cabinet parts are manufactured from aluminum Code "A"

③ Note: Exterior cabinet parts are manufactured from stainless steel Code "S"

④ Note: Exterior cabinet parts are used for both Aluminum & Stainless Steel Cabinets

This Exploded View references Table on Page 2

CABINET COMPONENTS – RIGHT (MODERATE DUTY DOOR)

| Drawing No. | Part No. | Description | W6RV1-R,S | W6RV1-T |
|-------------|---------------------|---|-----------|---------|
| 1 | S127X214 | Lower Base | X | X |
| 1 | S127X369 ③ | Lower Base | X | X |
| 2 | S500-316-* ① | Left Side | X | X |
| 2 | S500-545 ② | Left Side | X | X |
| 2 | S500X543 ③ | Left Side | X | X |
| 3 | S500-315-* ① | Right Side | X | X |
| 3 | S500-546 ② | Right Side | X | X |
| 3 | S500-544 ③ | Right Side | X | X |
| 4 | S508-129 | Back | X | X |
| 4 | S508-229 ② | Back | X | X |
| 4 | S508-228 ③ | Back | X | X |
| 5 | S506-142-* ① | Top | X | X |
| 5 | S506-251 ② | Top | X | X |
| 5 | S506-274 ③ | Top | X | X |
| 6 | S515-144-* ① | Upper Front | X | X |
| 6 | S514-142 ② | Upper Front | X | X |
| 6 | S514-162 ③ | Upper Front | X | X |
| 7 | S553-383-* ① | Vent Option Door | X | X |
| 7 | S552-408 ① | Vent Option Door with ERV | X | X |
| 7 | S552-456 ② | Vent Option Door | X | X |
| 7 | S553-449 ③ | Vent Option Door | X | X |
| 8 | 118-052-* ① | Condenser Grille | X | X |
| 8 | 118-080 ② | Condenser Grille | X | X |
| 8 | 118-078 ③ | Condenser Grille | X | X |
| 9 | 118-058-* ① | Side Grille | 2 | 2 |
| 9 | 118-081 ② | Side Grille | 2 | 2 |
| 9 | 118-079 ③ | Side Grille | 2 | 2 |
| 10 | S521X258 | Condenser Partition | X | X |
| 11 | S123-102 | Drain Pan | X | X |
| 12 | 121X216 | Blower Partition | X | X |
| 13 | Control Panel Assy. | See Control Panel Assy. Dwg. & Parts List | X | X |
| 14 | S132-114 | Control Panel Cover (Inner) | X | |
| 14 | S132-171 | Control Panel Cover (Inner) | | X |
| 15 | S533-113-* ① | Control Panel Cover (Outer) | X | X |
| 15 | S533-185 ② | Control Panel Cover (Outer) | X | X |
| 15 | S533-195 ③ | Control Panel Cover (Outer) | X | X |
| 16 | S153-218-* ① | Disconnect Access Door | X | X |
| 16 | S153-387 ② | Disconnect Access Door | X | X |
| 16 | S153-405 ③ | Disconnect Access Door | X | X |
| 17 | 125-029 | Fan Shroud | X | X |
| 17 | 125-059 ③ | Fan Shroud | X | X |
| 18 | 113-140 | Bottom Mounting Bracket | X | X |
| 19 | 137-209 | Fill | X | X |
| 20 | BFAD-5 | Fresh Air Damper Assembly | X | X |
| 22 | 131X099 | Filter Tray | X | X |
| 23 | 105X877 | Left Side Support | X | X |
| 24 | 147-046 | Left Evaporator Support | X | X |
| 25 | 135-128 | Raceway | X | X |
| 26 | S111X034 | Outlet Air Frame Assembly | X | X |
| 27 | 105X878 | Right Side Support | X | X |
| 28 | S143-042-* ① | Right Side Cover Plate (Outer) | X | X |
| 28 | S143-105 ② | Right Side Cover Plate (Outer) | X | X |
| 28 | S143-125 ③ | Right Side Cover Plate (Outer) | X | X |
| 29 | 135-129 | Heat Shield | X | X |
| 30 | 113-150-* ① | Top Rain Flashing | X | X |
| 30 | 113-359 ③ | Top Rain Flashing | X | X |
| 31 | S536X610 | Condenser Partition Block-Off Plate | X | X |
| 32 | S553-384-* ① | Filter Door Assembly | X | X |
| 32 | S552-457 ② | Filter Door Assembly | X | X |
| 32 | S553-450 ③ | Filter Door Assembly | X | X |
| 33 | 113-412 | Fan Motor Control Mount | X | X |

① Exterior cabinet parts are manufactured with various paint color options. To ensure that you receive the proper paint color, you must include the complete model and serial number of the unit for which cabinet parts are being ordered.

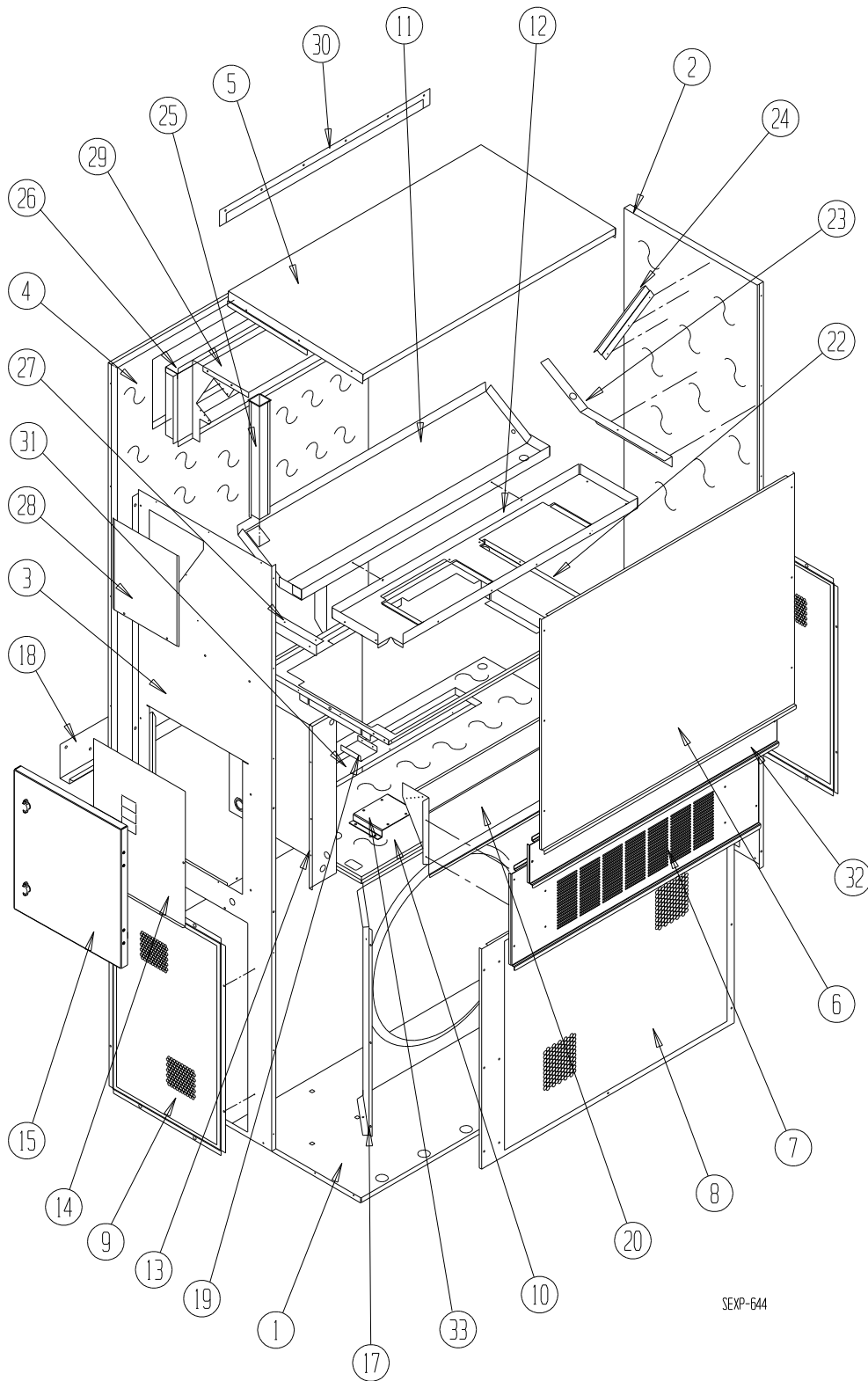
② Note: Exterior cabinet parts are manufactured from aluminum Code "A"

③ Note: Exterior cabinet parts are manufactured from stainless steel Code "S"

④ Note: Exterior cabinet parts are used for both Aluminum & Stainless Steel Cabinets

This Exploded View references Table on Page 4

CABINET COMPONENTS – LEFT (EXTREME DUTY DOOR)



SEXP-644

This Exploded View references Table on Page 7

CABINET COMPONENTS – LEFT (EXTREME DUTY DOOR)

| Drawing No. | Part No. | Description | W6LV1-R,S | W6LV1-T |
|-------------|------------------------|---|-----------|---------|
| 1 | S127Y214 | Lower Base | X | X |
| 2 | S500-367-* ① | Right Side | X | X |
| 2 | S500-547 ② | Right Side | X | X |
| 3 | S501-662-* ① | Left Side | X | X |
| 3 | S501-674 ② | Left Side | X | X |
| 4 | S508-129 | Back | X | X |
| 4 | S508-229 ② | Back | X | X |
| 5 | S506-142-* ① | Top | X | X |
| 5 | S506-251 ② | Top | X | X |
| 6 | S515-144-* ① | Upper Front | X | X |
| 6 | S514-142 ② | Upper Front | X | X |
| 7 | S553-383-* ① | Vent Option Door | X | X |
| 7 | S552-456 ② | Vent Option Door | X | X |
| 8 | 118-053-* ① | Condenser Grille | X | X |
| 8 | 118-082 ② | Condenser Grille | X | X |
| 9 | 118-058-* ① | Side Grille | 2 | 2 |
| 9 | 118-081 ② | Side Grille | 2 | 2 |
| 10 | S521Y258 | Condenser Partition | X | X |
| 11 | 123-091 | Drain Pan | X | X |
| 12 | 121Y216 | Blower Partition | X | X |
| 13 | Control Panel Assembly | See Control Panel Assembly Drawing and Parts List | X | X |
| 14 | S133-114 | Control Panel Cover (Inner) | X | |
| 14 | S133-171 | Control Panel Cover (Inner) | | X |
| 15 | DDD5L-* ① | Control Panel Cover (Outer) | X | X |
| 15 | DDD5L-S ④ | Control Panel Cover (Outer) | X | X |
| 17 | 125-029 | Fan Shroud | X | X |
| 17 | 125-059 ③ | Fan Shroud | X | X |
| 18 | 113-140 | Bottom Mounting Bracket | X | X |
| 19 | 137-209 | Fill | X | X |
| 20 | BFAD-5 | Fresh Air Damper Assembly | X | X |
| 22 | 131Y099 | Filter Tray | X | X |
| 23 | 105Y878 | Left Side Support | X | X |
| 24 | 147-046 | Left Evaporator Support | X | X |
| 25 | 135-128 | Raceway | 2 | 2 |
| 26 | S111Y034 | Outlet Air Frame Assembly | X | X |
| 27 | 105Y877 | Right Side Support | X | X |
| 28 | S143-042-* ① | Right Side Cover Plate (Outer) | X | X |
| 28 | S143-105 ② | Right Side Cover Plate (Outer) | X | X |
| 29 | 135-129 | Heat Shield | X | X |
| 30 | 113-150-* ① | Top Rain Flashing | X | X |
| 31 | S536Y610 | Condenser Partition Block-Off Plate | X | X |
| 32 | S553-384-* ① | Filter Door Assembly | X | X |
| 32 | S552-457 ② | Filter Door Assembly | X | X |
| 33 | 113-412 | Fan Motor Control Mount | X | X |

① Exterior cabinet parts are manufactured with various paint color options. To ensure that you receive the proper paint color, you must include the complete model and serial number of the unit for which cabinet parts are being ordered.

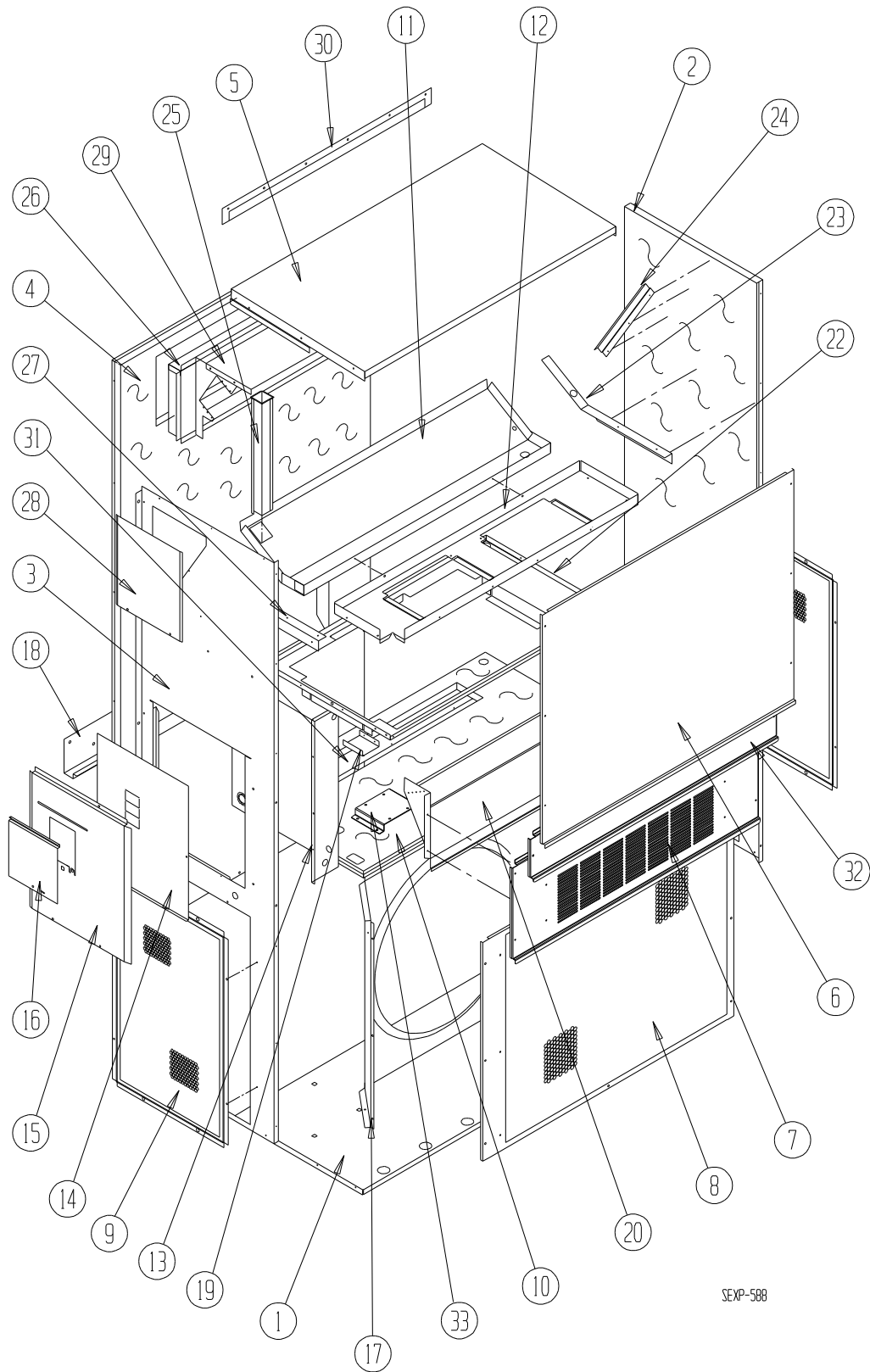
② Note: Exterior cabinet parts are manufactured from aluminum Code "A"

③ Note: Exterior cabinet parts are manufactured from stainless steel Code "S"

④ Note: Exterior cabinet parts are used for both Aluminum & Stainless Steel Cabinets

This Exploded View references Table on Page 6

CABINET COMPONENTS – LEFT (MODERATE DUTY DOOR)



SEXP-588

This Exploded View references Table on Page 9

CABINET COMPONENTS – LEFT (MODERATE DUTY DOOR)

| Drawing No. | Part No. | Description | W6LV1-R,S | W6LV1-T |
|-------------|------------------------|---|-----------|---------|
| 1 | S127Y214 | Lower Base | X | X |
| 2 | S500-367-* ① | Right Side | X | X |
| 2 | S500-547 ② | Right Side | X | X |
| 3 | S500-368-* ① | Left Side | X | X |
| 3 | S500-548 ② | Left Side | X | X |
| 4 | S508-129 | Back | X | X |
| 4 | S508-229 ② | Back | X | X |
| 5 | S506-142-* ① | Top | X | X |
| 5 | S506-251 ② | Top | X | X |
| 6 | S515-144-* ① | Upper Front | X | X |
| 6 | S514-142 ② | Upper Front | X | X |
| 7 | S553-383-* ① | Vent Option Door | X | X |
| 7 | S552-456 ② | Vent Option Door | X | X |
| 8 | 118-053-* ① | Condenser Grille | X | X |
| 8 | 118-082 ② | Condenser Grille | X | X |
| 9 | 118-058-* ① | Side Grille | 2 | 2 |
| 9 | 118-081 ② | Side Grille | 2 | 2 |
| 10 | S521Y258 | Condenser Partition | X | X |
| 11 | 123-091 | Drain Pan | X | X |
| 12 | 121Y216 | Blower Partition | X | X |
| 13 | Control Panel Assembly | See Control Panel Assembly Drawing and Parts List | X | X |
| 14 | S133-114 | Control Panel Cover (Inner) | X | |
| 14 | S133-171 | Control Panel Cover (Inner) | | X |
| 15 | S533-140-* ① | Control Panel Cover (Outer) | X | X |
| 15 | S533-186 ② | Control Panel Cover (Outer) | X | X |
| 16 | S153-218-* ① | Disconnect Access Door | X | X |
| 16 | S153-387 ② | Disconnect Access Door | X | X |
| 17 | 125-029 | Fan Shroud | X | X |
| 17 | 125-059 ③ | Fan Shroud | X | X |
| 18 | 113-140 | Bottom Mounting Bracket | X | X |
| 19 | 137-209 | Fill | X | X |
| 20 | BFAD-5 | Fresh Air Damper Assembly | X | X |
| 22 | 131Y099 | Filter Tray | X | X |
| 23 | 105Y878 | Left Side Support | X | X |
| 24 | 147-046 | Left Evaporator Support | X | X |
| 25 | 135-128 | Raceway | 2 | 2 |
| 26 | S111Y034 | Outlet Air Frame Assembly | X | X |
| 27 | 105Y877 | Right Side Support | X | X |
| 28 | S143-042-* ① | Right Side Cover Plate (Outer) | X | X |
| 28 | S143-105 ② | Right Side Cover Plate (Outer) | X | X |
| 29 | 135-129 | Heat Shield | X | X |
| 30 | 113-150-* ① | Top Rain Flashing | X | X |
| 31 | S536Y610 | Condenser Partition Block-Off Plate | X | X |
| 32 | S553-384-* ① | Filter Door Assembly | X | X |
| 32 | S552-457 ② | Filter Door Assembly | X | X |
| 33 | 113-412 | Fan Motor Control Mount | X | X |

① Exterior cabinet parts are manufactured with various paint color options. To ensure that you receive the proper paint color, you must include the complete model and serial number of the unit for which cabinet parts are being ordered.

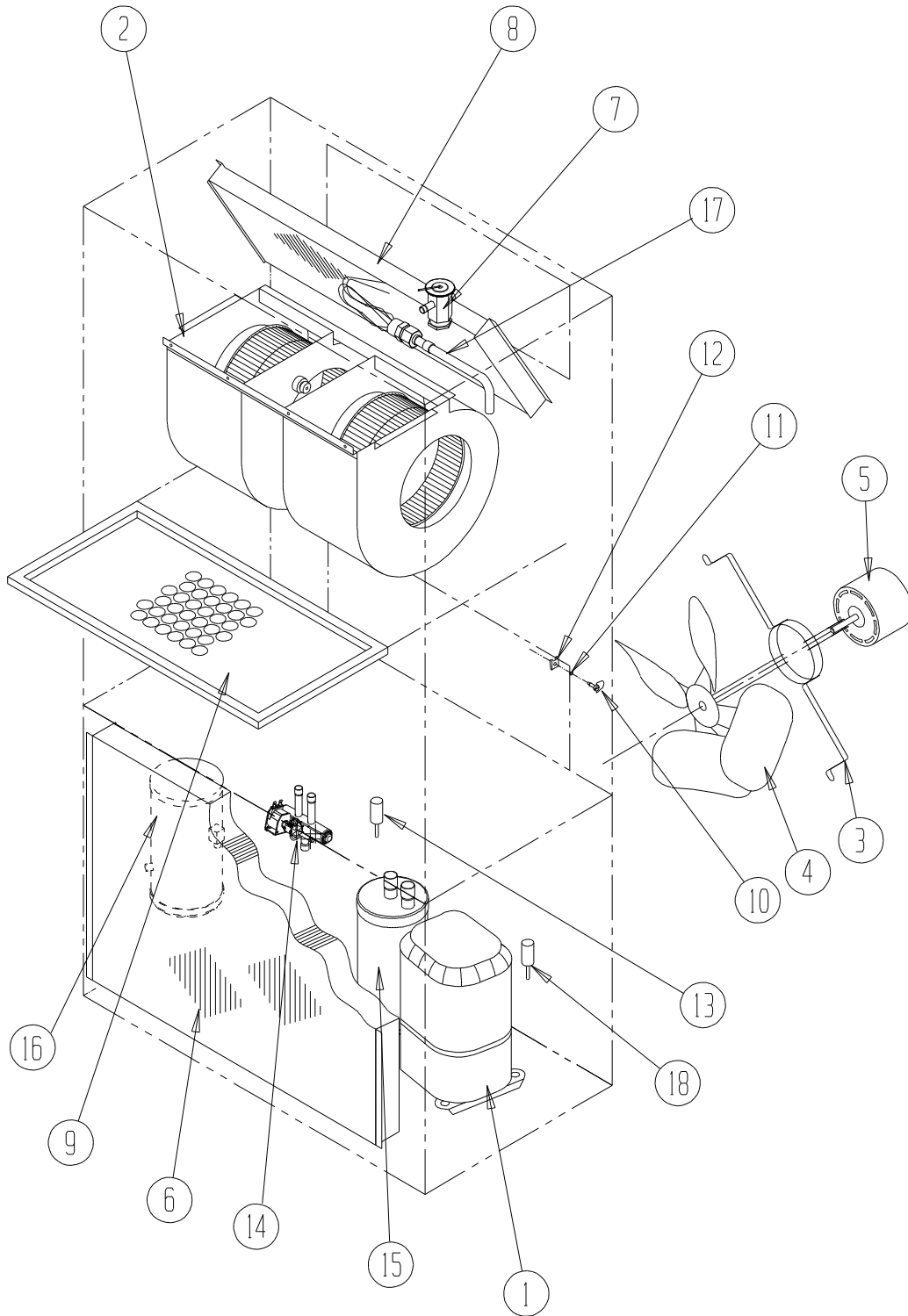
② Note: Exterior cabinet parts are manufactured from aluminum Code "A"

③ Note: Exterior cabinet parts are manufactured from stainless steel Code "S"

④ Note: Exterior cabinet parts are used for both Aluminum & Stainless Steel Cabinets

This Exploded View references Table on Page 8

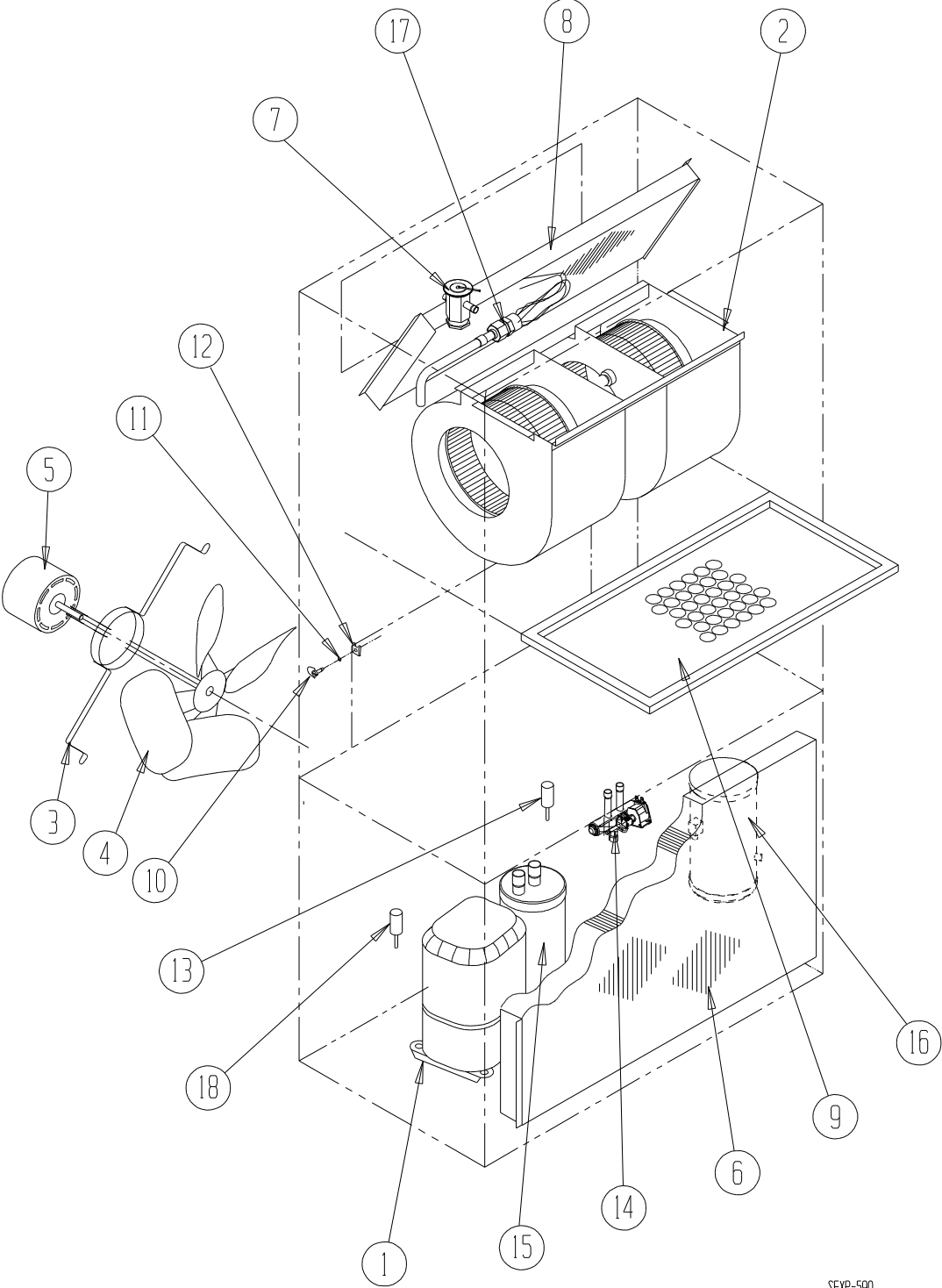
FUNCTIONAL COMPONENTS – RIGHT HAND



SEXP-589

This Exploded View references Table on Page 12

FUNCTIONAL COMPONENTS – LEFT HAND



SEXP-590

This Exploded View references Table on Page 12

FUNCTIONAL COMPONENTS – RIGHT & LEFT HAND

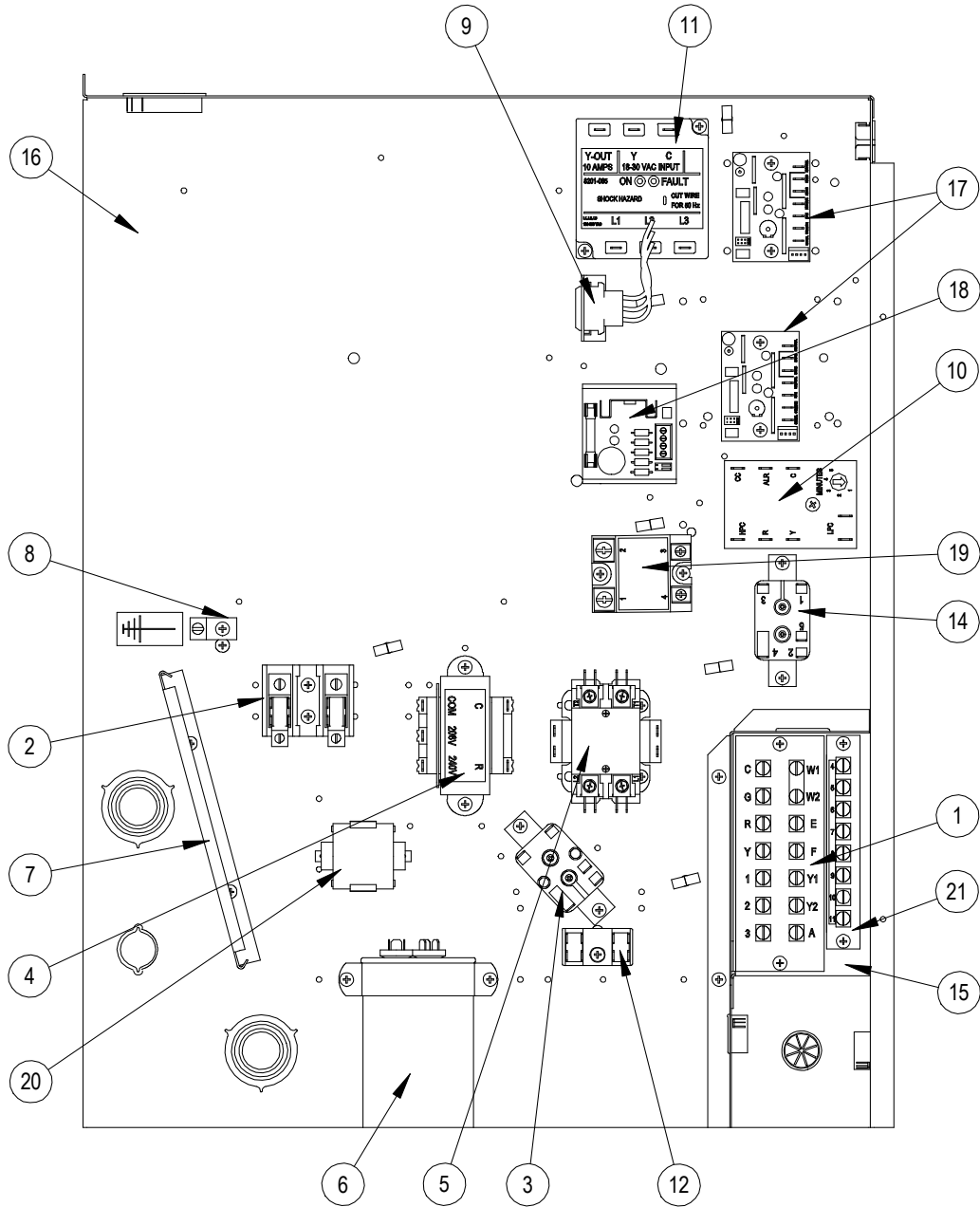
| Drawing No. | Part No. | Description | W6RV1-S | W6RV1-T | W6LV1-S | W6LV1-T |
|-------------|----------------|--|---------|---------|---------|---------|
| 1 | 8000-358 | Compressor | X | | X | |
| 1 | 8000-359 | Compressor | | X | | X |
| 2 | S900-273-009 | Blower Assembly | X | X | X | X |
| 3 | 8200-004 | Fan Motor Mount | X | X | X | X |
| 4 | 5151-027 | Fan Blade | X | X | X | X |
| 5 | S8106-047-0080 | 1/2 HP ECM Motor with Programmed Control | X | X | X | X |
| 6 | 5051-088BX | Condenser Coil | X | X | X | X |
| 7 | 5651-213 | Cooling TXV | X | X | X | X |
| 8 | 5060-082BX | Evaporator Coil | X | X | X | X |
| 9 | 7004-016 | Air Filter 1" Throw-Away | X | X | X | X |
| 9 | 7003-030 | Air Filter 1" Washable ① | X | X | X | X |
| 9 | 7004-027 | Air Filter 2" Pleated ① | X | X | X | X |
| 10 | 1171-022 | 1/4 Turn Fastener | X | X | X | X |
| 11 | 1171-024 | 1/4 Turn Retainer | X | X | X | X |
| 12 | 1171-023 | 1/4 Turn Receptacle | X | X | X | X |
| 13 | 1804-0462 | High Pressure Switch (Flare) - Red Leads | X | X | X | X |
| 14 | 5650-049 | Solenoid Valve | X | X | X | X |
| 15 | 5202-018 | Accumulator | X | X | X | X |
| 16 | 5203-007 | Receiver | X | X | X | X |
| 17 | 800-0395 | Cooling Distributor Assembly | X | X | X | X |
| 18 | 1804-0107 | Low Pressure Switch (Flare) - Blue Leads | X | X | X | X |
| NS | 5201-002 | Filter Drier | X | X | X | X |
| NS | 8605-017 | Crankcase Heater | X | | X | |
| NS | 8605-018 | Crankcase Heate | | X | | X |
| NS | 8408-039 | Discharge Line Thermostat | X | X | X | X |
| NS | 8406-128 | Pressure Transducer | X | X | X | X |

NS – Not Shown

① – Optional

This Exploded View references Table on Page 10 & 11

CONTROL PANEL – LEFT HAND



SEXP-592

This Exploded View references Table on Page 15

CONTROL PANEL – RIGHT & LEFT HAND

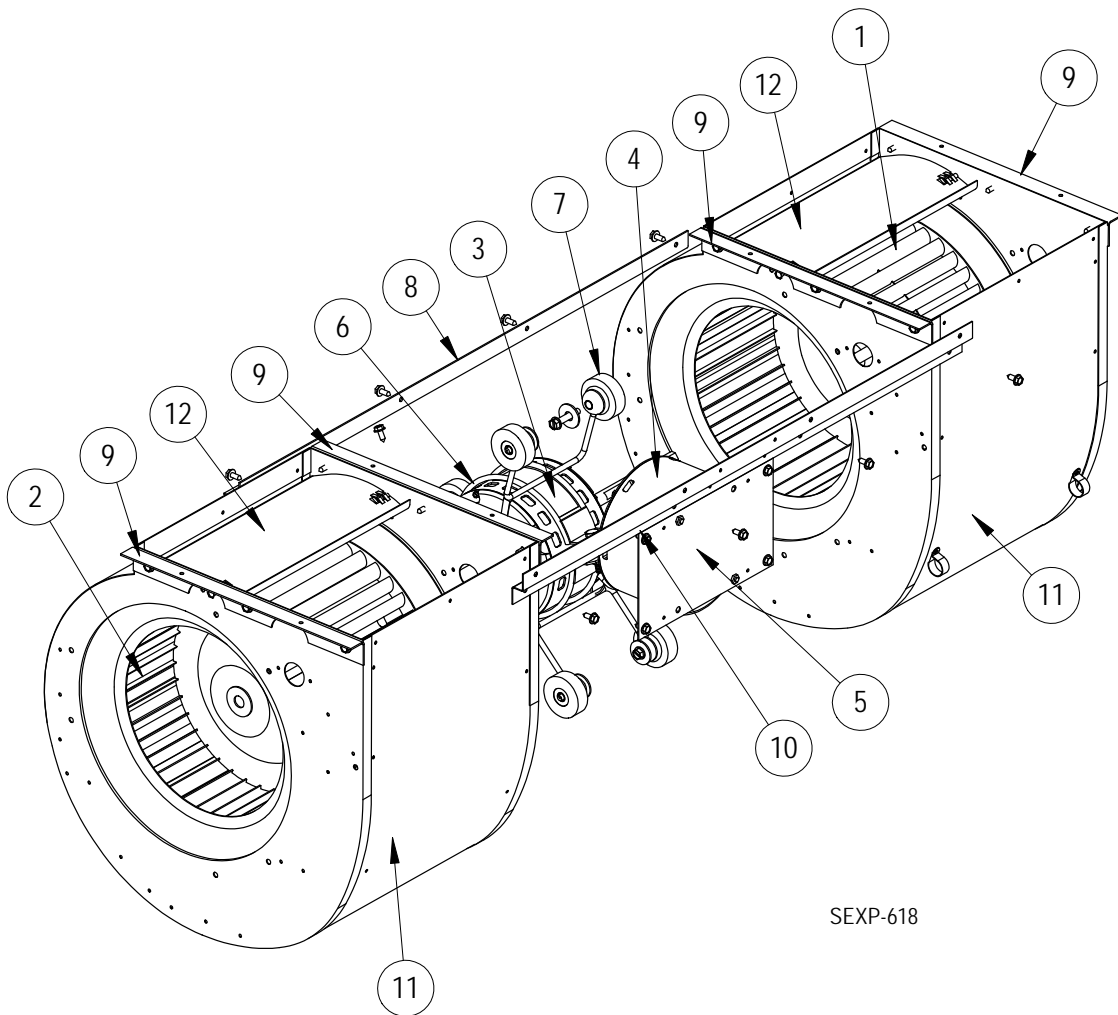
| Drawing No. | Part No. | Description | W6RV1-S | W6RV1-T | W6LV1-S | W6LV1-T |
|-------------|-----------|------------------------------------|---------|---------|---------|---------|
| 1 | 8607-024 | Low Voltage Terminal Strip | X | X | X | X |
| 2 | 8607-014 | Terminal Block 3 Pole | X | X | X | X |
| 2 | 8607-015 | Phenolic Insulator | | X | | X |
| 4 | 8407-048 | Transformer | X | X | X | X |
| 5 | 8401-027 | Compressor Contactor | X | X | X | X |
| 7 | 135-130 | Wire Shield | X | X | X | X |
| 8 | 8611-006 | Ground Terminal | X | X | X | X |
| 9 | 3000-1357 | 6 Pin Connector | X | X | X | X |
| 10 | 8201-088 | Compressor Control Module | X | X | X | X |
| 11 | 8201-126 | Phase Monitor | X | X | X | X |
| 12 | 8607-017 | Terminal Block | | X | | X |
| 14 | 8201-062 | Alarm Relay | X | X | X | X |
| 15 | S117X139 | Low Voltage Box | X | X | X | X |
| 16 | 117X143 | Control Panel | X | X | | |
| 16 | 117Y143 | Control Panel | | | X | X |
| 17 | 8201-124 | Blower Control Board | 2 | 2 | 2 | 2 |
| 18 | 8301-041 | 5VDC Supply | X | X | X | X |
| 19 | 8201-123 | Solid State Relay | X | X | X | X |
| 21 | 8607-021 | Terminal Strip (8 Terminal) | X | X | X | X |
| NS | 8301-014 | Outdoor Air Sensor | X | X | X | X |
| NS | 8403-066 | Thermostat Controller | X | X | X | X |
| NS | 8614-041 | Fuse Block | | X | | X |
| NS | 8614-042 | Fuses | | X | | X |
| NS | 8615-043 | Circuit Breaker 40A 3 Pole (Opt) ① | X | | X | |
| NS | 8615-068 | Toggle Disconnect (Optional) | | X | | X |
| NS | 3000-1221 | Indoor Blower Power Harness | X | X | X | X |
| NS | 3000-1358 | Indoor Blower Low Voltage | X | X | X | X |
| NS | 3000-1359 | Outdoor Blower Low Voltage | X | X | X | X |
| NS | 3000-1361 | Pressure Transducer Harness | X | X | X | X |
| NS | 3000-1230 | Compressor Harness | X | X | X | X |
| NS | 4095-254 | Wiring Diagram | X | | X | |
| NS | 4095-354 | Wiring Diagram | | X | | X |

NS – Not Shown

- ① Circuit breakers listed are for units without electric heat "OZ" models.
See Heater Replacement Parts Manual for units with electric heat.

This Exploded View references Table on Page 13 & 14

BLOWER ASSEMBLY



SEXP-618

900-273-009

| Drawing No. | Part No. | Description | |
|-------------|----------------|-------------------------------|---|
| 1 | 5152-011 | Wheel (CW) | X |
| 2 | 5152-012 | Wheel (CCW) | X |
| 3 | S8107-011-0079 | Programmed Motor w/Control | X |
| 4 | C8107-011-0079 | Programmed Motor Control-Only | X |
| 5 | 112-344 | Blower Motor Control Mount | X |
| 6 | 8200-040 | Motor Mount | X |
| 7 | 5451-011 | Grommets | 6 |
| 8 | 105-881 | Back Brace | X |
| 9 | 105-880 | Blower Angle | 4 |
| 10 | 103-389 | Front Brace | X |
| 11 | 151-101 | Blower Housing | 2 |
| 12 | 144-166 | Diffuser | 2 |