
REPLACEMENT PARTS MANUAL

WALL MOUNTED VARIABLE CAPACITY ENVIRONMENTAL CONTROL UNITS

Models: **W6RV1, W6LV1**

General Notes

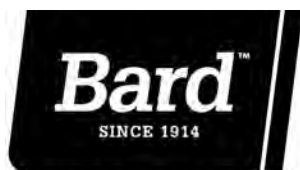
- Revised and/or additional pages may be issued from time to time.
- A complete and current manual consists of pages shown in the following contents section.

Important

- Contact the installing and/or local Bard distributor for all parts requirements. Make sure you have the complete model and serial number available from the unit rating plates.

Contents

Description	Page
Cabinet Components (Extreme Duty Door)	
♦ Exploded View – Right	2
♦ Usage List – Right	3
Cabinet Components (Moderate Duty Door)	
♦ Exploded View – Right	4
♦ Usage List – Right	5
Cabinet Components (Extreme Duty Door)	
♦ Exploded View – Left.....	6
♦ Usage List – Left	7
Cabinet Components (Moderate Duty Door)	
♦ Exploded View – Left.....	8
♦ Usage List – Left	9
Functional Components	
♦ Exploded View – Right	10
♦ Exploded View – Left.....	11
♦ Usage List – Right & Left.....	12
Control Panel	
♦ Exploded View – Right	13
♦ Exploded View – Left.....	14
♦ Usage List – Right & Left.....	15
Blower Assembly	
♦ Exploded View.....	16
♦ Usage List	16



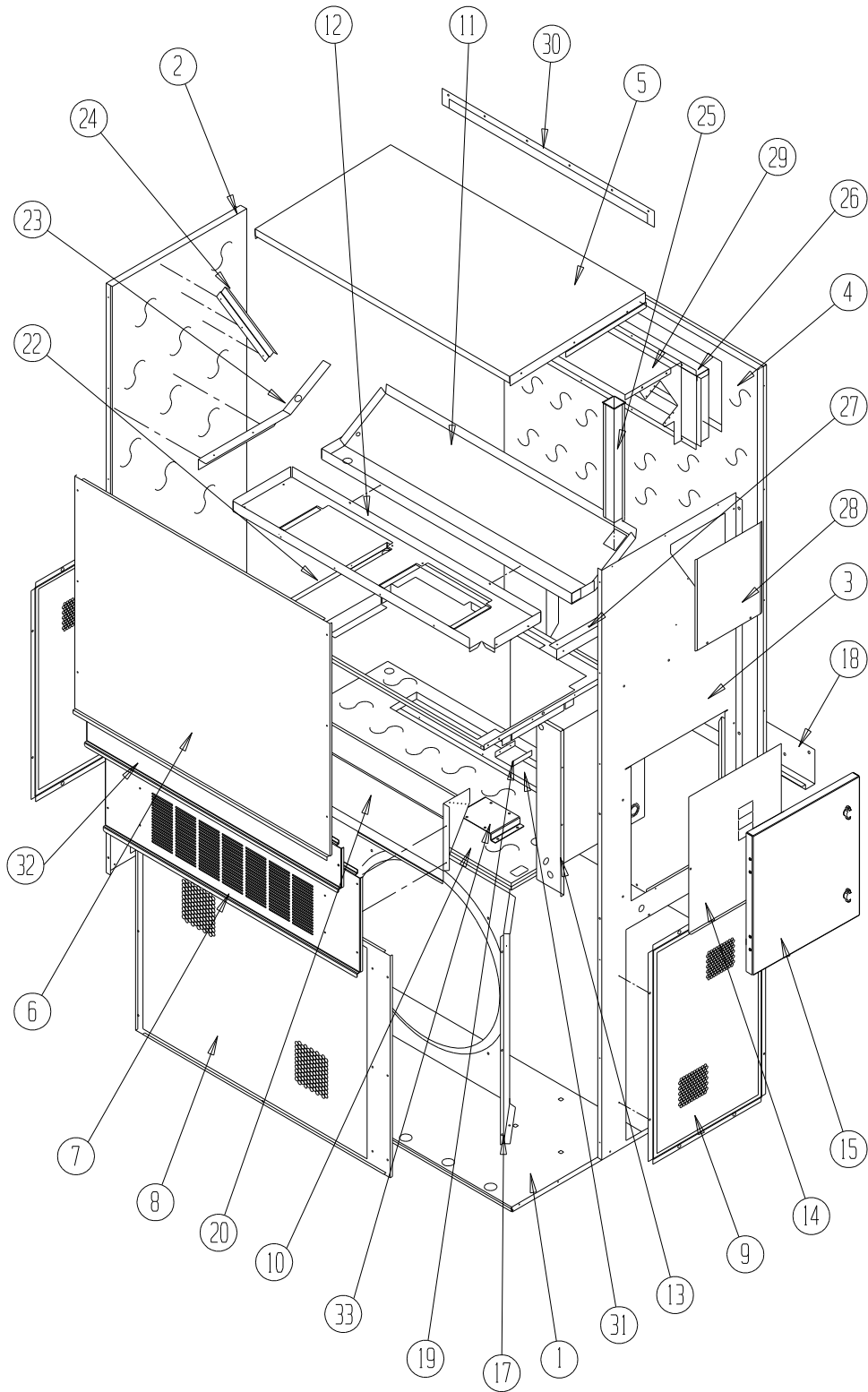
Climate Control Solutions

Bard Manufacturing Company, Inc.
Bryan, Ohio 43506

Since 1914...Moving ahead, just as planned.

Manual: 2110-497G
Supersedes: 2110-497F
File: Tab 16
Date: 02-06-14

CABINET COMPONENTS – RIGHT (EXTREME DUTY DOOR)



SEXP-643

This Exploded View references Table on Page 3

CABINET COMPONENTS – RIGHT (EXTREME DUTY DOOR)

Drawing No.	Part No.	Description	W6RV1-R,S	W6RV1-T
1	S127X214	Lower Base	X	X
1	S127X369 ③	Lower Base	X	X
2	S500-316-* ①	Left Side	X	X
2	S500-545 ②	Left Side	X	X
2	S500X543 ③	Left Side	X	X
3	S501-661-* ①	Right Side	X	X
3	S501-673 ②	Right Side	X	X
3	S501-667 ③	Right Side	X	X
4	S508-129	Back	X	X
4	S508-229 ②	Back	X	X
4	S508-228 ③	Back	X	X
5	S506-142-* ①	Top	X	X
5	S506-251 ②	Top	X	X
5	S506-274 ③	Top	X	X
6	S515-144-* ①	Upper Front	X	X
6	S514-142 ②	Upper Front	X	X
6	S514-162 ③	Upper Front	X	X
7	S553-383-* ①	Vent Option Door	X	X
7	S552-408 ①	Vent Option Door with ERV	X	X
7	S552-456 ②	Vent Option Door	X	X
7	S553-449 ③	Vent Option Door	X	X
8	118-052-* ①	Condenser Grille	X	X
8	118-080 ②	Condenser Grille	X	X
8	118-078 ③	Condenser Grille	X	X
9	118-058-* ①	Side Grille	2	2
9	118-081 ②	Side Grille	2	2
9	118-079 ③	Side Grille	2	2
10	S521X258	Condenser Partition	X	X
11	S123-102	Drain Pan	X	X
12	121X216	Blower Partition	X	X
13	Control Panel Assy.	See Control Panel Assy. Dwg. & Parts List	X	X
14	S132-114	Control Panel Cover (Inner)	X	
14	S132-171	Control Panel Cover (Inner)		X
15	DDD5A-* ①	Control Panel Cover (Outer)	X	X
15	DDD5A-S ④	Control Panel Cover (Outer)	X	X
17	125-029	Fan Shroud	X	X
17	125-059 ③	Fan Shroud	X	X
18	113-140	Bottom Mounting Bracket	X	X
19	137-209	Fill	X	X
20	BFAD-5	Fresh Air Damper Assembly	X	X
22	131X099	Filter Tray	X	X
23	105X877	Left Side Support	X	X
24	147-046	Left Evaporator Support	X	X
25	135-128	Raceway	X	X
26	S111X034	Outlet Air Frame Assembly	X	X
27	105X878	Right Side Support	X	X
28	S143-042-* ①	Right Side Cover Plate (Outer)	X	X
28	S143-105 ②	Right Side Cover Plate (Outer)	X	X
28	S143-125 ③	Right Side Cover Plate (Outer)	X	X
29	135-129	Heat Shield	X	X
30	113-150-* ①	Top Rain Flashing	X	X
30	113-359 ③	Top Rain Flashing	X	X
31	S536X610	Condenser Partition Block-Off Plate	X	X
32	S553-384-* ①	Filter Door Assembly	X	X
32	S552-457 ②	Filter Door Assembly	X	X
32	S553-450 ③	Filter Door Assembly	X	X
33	113-412	Fan Motor Control Mount	X	X

① Exterior cabinet parts are manufactured with various paint color options. To ensure that you receive the proper paint color, you must include the complete model and serial number of the unit for which cabinet parts are being ordered.

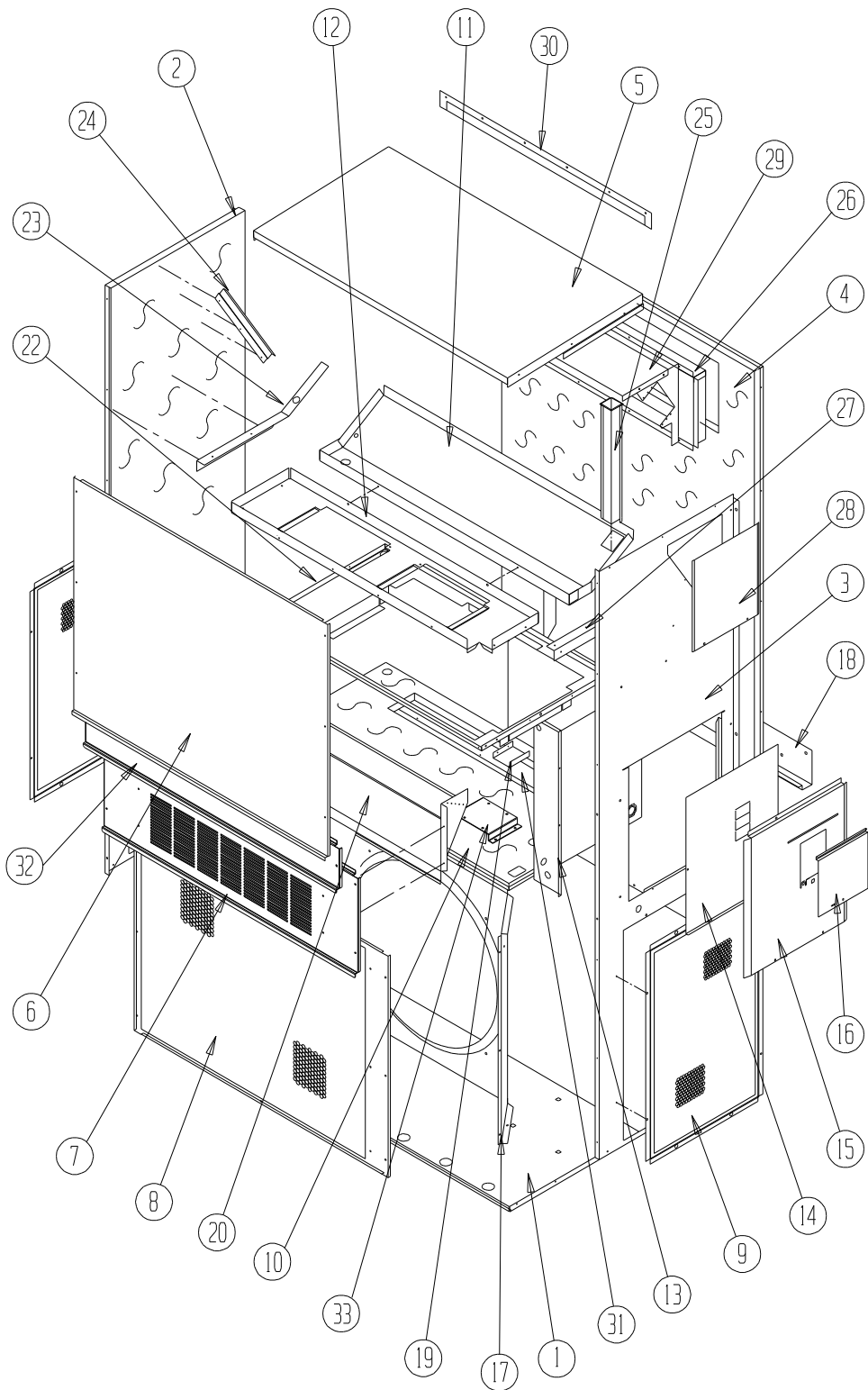
② Note: Exterior cabinet parts are manufactured from aluminum Code "A"

③ Note: Exterior cabinet parts are manufactured from stainless steel Code "S"

④ Note: Exterior cabinet parts are used for both Aluminum & Stainless Steel Cabinets

This Exploded View references Table on Page 2

CABINET COMPONENTS – RIGHT (MODERATE DUTY DOOR)



SEXP-587

This Exploded View references Table on Page 5

CABINET COMPONENTS – RIGHT (MODERATE DUTY DOOR)

Drawing No.	Part No.	Description	W6RV1-R,S	W6RV1-T
1	S127X214	Lower Base	X	X
1	S127X369 ③	Lower Base	X	X
2	S500-316-* ①	Left Side	X	X
2	S500-545 ②	Left Side	X	X
2	S500X543 ③	Left Side	X	X
3	S500-315-* ①	Right Side	X	X
3	S500-546 ②	Right Side	X	X
3	S500-544 ③	Right Side	X	X
4	S508-129	Back	X	X
4	S508-229 ②	Back	X	X
4	S508-228 ③	Back	X	X
5	S506-142-* ①	Top	X	X
5	S506-251 ②	Top	X	X
5	S506-274 ③	Top	X	X
6	S515-144-* ①	Upper Front	X	X
6	S514-142 ②	Upper Front	X	X
6	S514-162 ③	Upper Front	X	X
7	S553-383-* ①	Vent Option Door	X	X
7	S552-408 ①	Vent Option Door with ERV	X	X
7	S552-456 ②	Vent Option Door	X	X
7	S553-449 ③	Vent Option Door	X	X
8	118-052-* ①	Condenser Grille	X	X
8	118-080 ②	Condenser Grille	X	X
8	118-078 ③	Condenser Grille	X	X
9	118-058-* ①	Side Grille	2	2
9	118-081 ②	Side Grille	2	2
9	118-079 ③	Side Grille	2	2
10	S521X258	Condenser Partition	X	X
11	S123-102	Drain Pan	X	X
12	121X216	Blower Partition	X	X
13	Control Panel Assy.	See Control Panel Assy. Dwg. & Parts List	X	X
14	S132-114	Control Panel Cover (Inner)	X	X
14	S132-171	Control Panel Cover (Inner)	X	X
15	S533-113-* ①	Control Panel Cover (Outer)	X	X
15	S533-185 ②	Control Panel Cover (Outer)	X	X
15	S533-195 ③	Control Panel Cover (Outer)	X	X
16	S153-218-* ①	Disconnect Access Door	X	X
16	S153-387 ②	Disconnect Access Door	X	X
16	S153-405 ③	Disconnect Access Door	X	X
17	125-029	Fan Shroud	X	X
17	125-059 ③	Fan Shroud	X	X
18	113-140	Bottom Mounting Bracket	X	X
19	137-209	Fill	X	X
20	BFAD-5	Fresh Air Damper Assembly	X	X
22	131X099	Filter Tray	X	X
23	105X877	Left Side Support	X	X
24	147-046	Left Evaporator Support	X	X
25	135-128	Raceway	X	X
26	S111X034	Outlet Air Frame Assembly	X	X
27	105X878	Right Side Support	X	X
28	S143-042-* ①	Right Side Cover Plate (Outer)	X	X
28	S143-105 ②	Right Side Cover Plate (Outer)	X	X
28	S143-125 ③	Right Side Cover Plate (Outer)	X	X
29	135-129	Heat Shield	X	X
30	113-150-* ①	Top Rain Flashing	X	X
30	113-359 ③	Top Rain Flashing	X	X
31	S536X610	Condenser Partition Block-Off Plate	X	X
32	S553-384-* ①	Filter Door Assembly	X	X
32	S552-457 ②	Filter Door Assembly	X	X
32	S553-450 ③	Filter Door Assembly	X	X
33	113-412	Fan Motor Control Mount	X	X

① Exterior cabinet parts are manufactured with various paint color options. To ensure that you receive the proper paint color, you must include the complete model and serial number of the unit for which cabinet parts are being ordered.

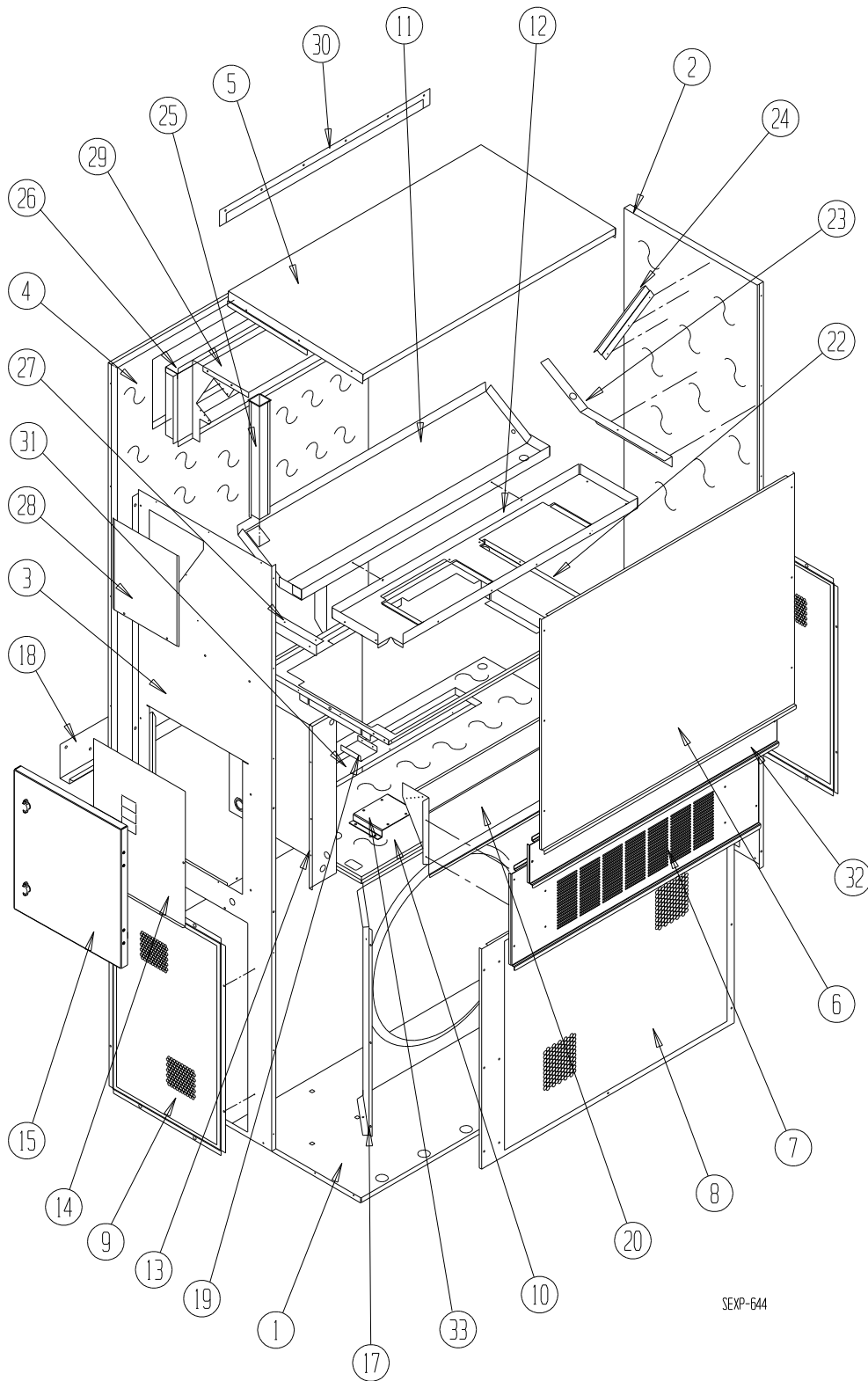
② Note: Exterior cabinet parts are manufactured from aluminum Code "A"

③ Note: Exterior cabinet parts are manufactured from stainless steel Code "S"

④ Note: Exterior cabinet parts are used for both Aluminum & Stainless Steel Cabinets

This Exploded View references Table on Page 4

CABINET COMPONENTS – LEFT (EXTREME DUTY DOOR)



SEXP-644

This Exploded View references Table on Page 7

CABINET COMPONENTS – LEFT (EXTREME DUTY DOOR)

Drawing No.	Part No.	Description	W6LV1-R,S	W6LV1-T
1	S127Y214	Lower Base	X	X
2	S500-367-* ①	Right Side	X	X
2	S500-547 ②	Right Side	X	X
3	S501-662-* ①	Left Side	X	X
3	S501-674 ②	Left Side	X	X
4	S508-129	Back	X	X
4	S508-229 ②	Back	X	X
5	S506-142-* ①	Top	X	X
5	S506-251 ②	Top	X	X
6	S515-144-* ①	Upper Front	X	X
6	S514-142 ②	Upper Front	X	X
7	S553-383-* ①	Vent Option Door	X	X
7	S552-456 ②	Vent Option Door	X	X
8	118-053-* ①	Condenser Grille	X	X
8	118-082 ②	Condenser Grille	X	X
9	118-058-* ①	Side Grille	2	2
9	118-081 ②	Side Grille	2	2
10	S521Y258	Condenser Partition	X	X
11	123-091	Drain Pan	X	X
12	121Y216	Blower Partition	X	X
13	Control Panel Assembly	See Control Panel Assembly Drawing and Parts List	X	X
14	S133-114	Control Panel Cover (Inner)	X	
14	S133-171	Control Panel Cover (Inner)		X
15	DDD5L-* ①	Control Panel Cover (Outer)	X	X
15	DDD5L-S ④	Control Panel Cover (Outer)	X	X
17	125-029	Fan Shroud	X	X
17	125-059 ③	Fan Shroud	X	X
18	113-140	Bottom Mounting Bracket	X	X
19	137-209	Fill	X	X
20	BFAD-5	Fresh Air Damper Assembly	X	X
22	131Y099	Filter Tray	X	X
23	105Y878	Left Side Support	X	X
24	147-046	Left Evaporator Support	X	X
25	135-128	Raceway	2	2
26	S111Y034	Outlet Air Frame Assembly	X	X
27	105Y877	Right Side Support	X	X
28	S143-042-* ①	Right Side Cover Plate (Outer)	X	X
28	S143-105 ②	Right Side Cover Plate (Outer)	X	X
29	135-129	Heat Shield	X	X
30	113-150-* ①	Top Rain Flashing	X	X
31	S536Y610	Condenser Partition Block-Off Plate	X	X
32	S553-384-* ①	Filter Door Assembly	X	X
32	S552-457 ②	Filter Door Assembly	X	X
33	113-412	Fan Motor Control Mount	X	X

① Exterior cabinet parts are manufactured with various paint color options. To ensure that you receive the proper paint color, you must include the complete model and serial number of the unit for which cabinet parts are being ordered.

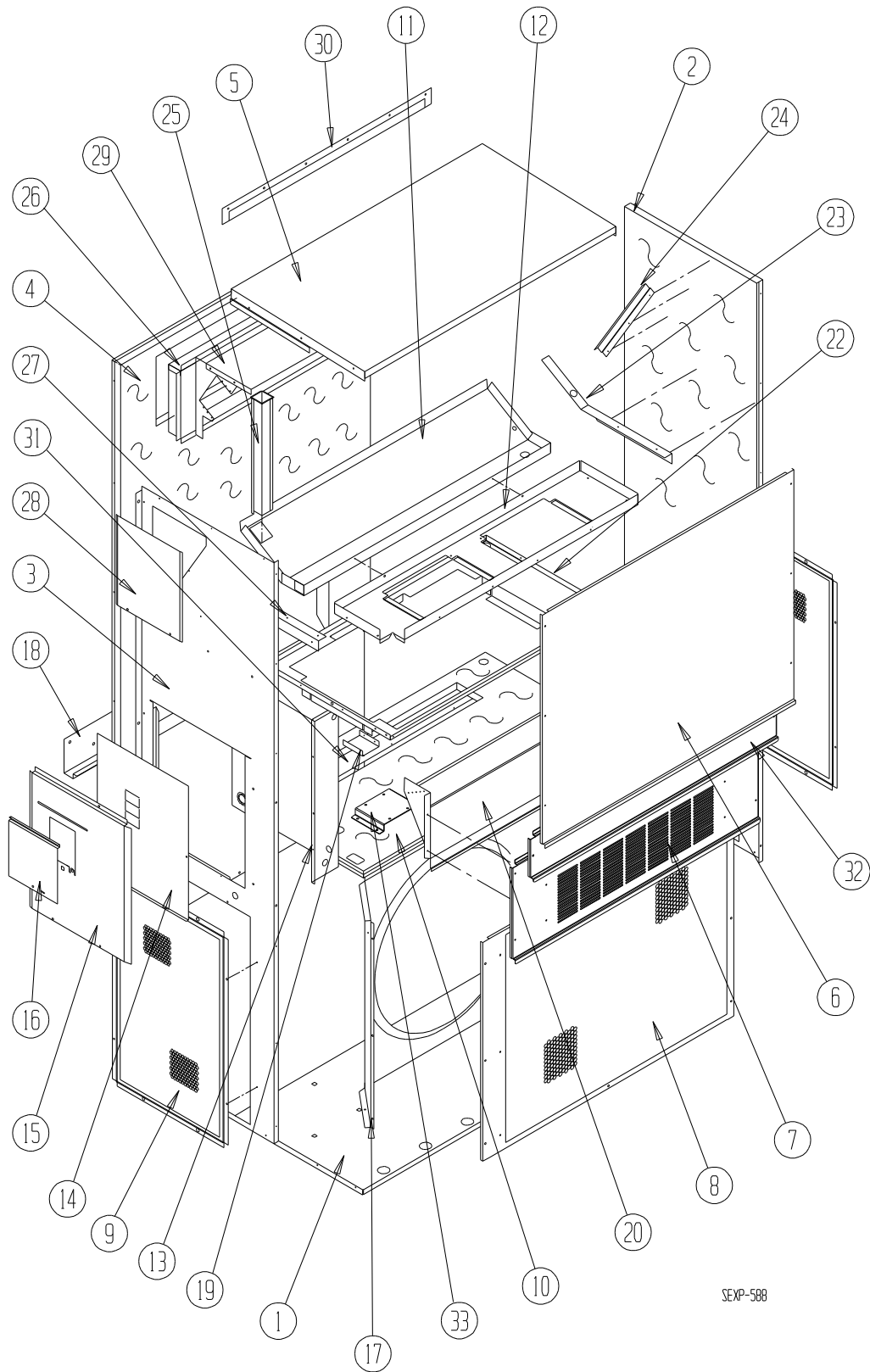
② Note: Exterior cabinet parts are manufactured from aluminum Code "A"

③ Note: Exterior cabinet parts are manufactured from stainless steel Code "S"

④ Note: Exterior cabinet parts are used for both Aluminum & Stainless Steel Cabinets

This Exploded View references Table on Page 6

CABINET COMPONENTS – LEFT (MODERATE DUTY DOOR)



SEXP-588

This Exploded View references Table on Page 9

CABINET COMPONENTS – LEFT (MODERATE DUTY DOOR)

Drawing No.	Part No.	Description	W6LV1-R,S	W6LV1-T
1	S127Y214	Lower Base	X	X
2	S500-367-* ①	Right Side	X	X
2	S500-547 ②	Right Side	X	X
3	S500-368-* ①	Left Side	X	X
3	S500-548 ②	Left Side	X	X
4	S508-129	Back	X	X
4	S508-229 ②	Back	X	X
5	S506-142-* ①	Top	X	X
5	S506-251 ②	Top	X	X
6	S515-144-* ①	Upper Front	X	X
6	S514-142 ②	Upper Front	X	X
7	S553-383-* ①	Vent Option Door	X	X
7	S552-456 ②	Vent Option Door	X	X
8	118-053-* ①	Condenser Grille	X	X
8	118-082 ②	Condenser Grille	X	X
9	118-058-* ①	Side Grille	2	2
9	118-081 ②	Side Grille	2	2
10	S521Y258	Condenser Partition	X	X
11	123-091	Drain Pan	X	X
12	121Y216	Blower Partition	X	X
13	Control Panel Assembly	See Control Panel Assembly Drawing and Parts List	X	X
14	S133-114	Control Panel Cover (Inner)	X	
14	S133-171	Control Panel Cover (Inner)		X
15	S533-140-* ①	Control Panel Cover (Outer)	X	X
15	S533-186 ②	Control Panel Cover (Outer)	X	X
16	S153-218-* ①	Disconnect Access Door	X	X
16	S153-387 ②	Disconnect Access Door	X	X
17	125-029	Fan Shroud	X	X
17	125-059 ③	Fan Shroud	X	X
18	113-140	Bottom Mounting Bracket	X	X
19	137-209	Fill	X	X
20	BFAD-5	Fresh Air Damper Assembly	X	X
22	131Y099	Filter Tray	X	X
23	105Y878	Left Side Support	X	X
24	147-046	Left Evaporator Support	X	X
25	135-128	Raceway	2	2
26	S111Y034	Outlet Air Frame Assembly	X	X
27	105Y877	Right Side Support	X	X
28	S143-042-* ①	Right Side Cover Plate (Outer)	X	X
28	S143-105 ②	Right Side Cover Plate (Outer)	X	X
29	135-129	Heat Shield	X	X
30	113-150-* ①	Top Rain Flashing	X	X
31	S536Y610	Condenser Partition Block-Off Plate	X	X
32	S553-384-* ①	Filter Door Assembly	X	X
32	S552-457 ②	Filter Door Assembly	X	X
33	113-412	Fan Motor Control Mount	X	X

① Exterior cabinet parts are manufactured with various paint color options. To ensure that you receive the proper paint color, you must include the complete model and serial number of the unit for which cabinet parts are being ordered.

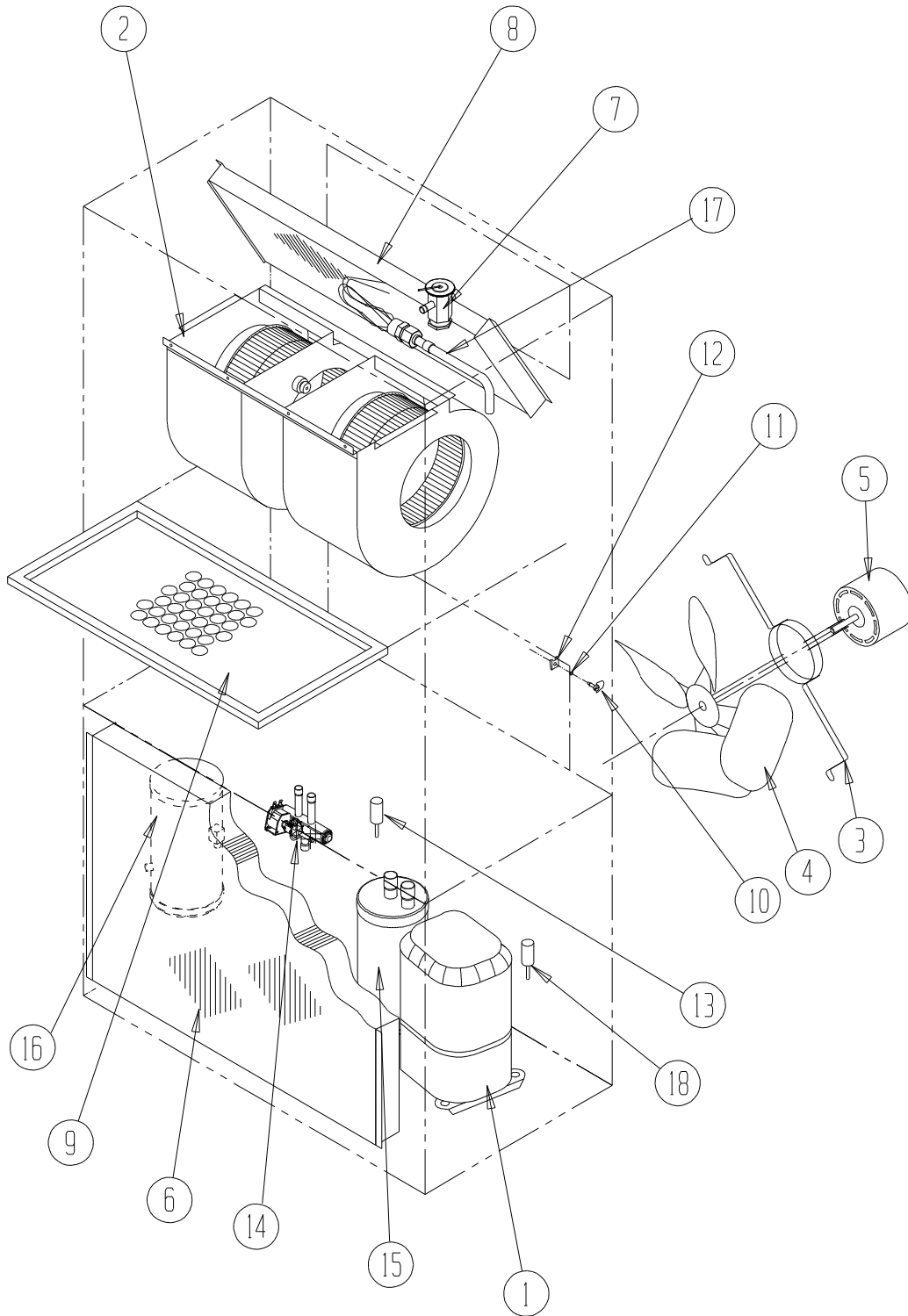
② Note: Exterior cabinet parts are manufactured from aluminum Code "A"

③ Note: Exterior cabinet parts are manufactured from stainless steel Code "S"

④ Note: Exterior cabinet parts are used for both Aluminum & Stainless Steel Cabinets

This Exploded View references Table on Page 8

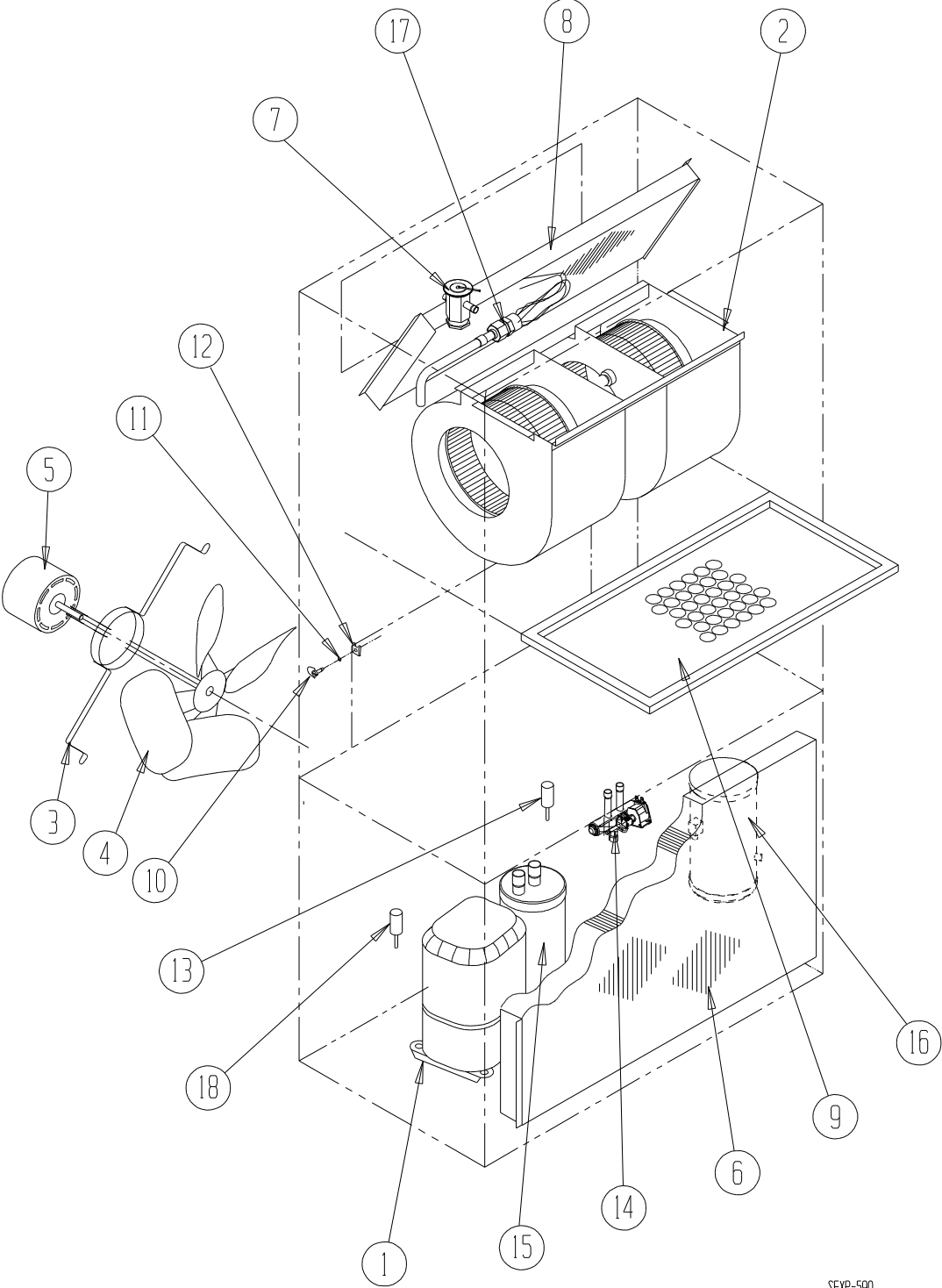
FUNCTIONAL COMPONENTS – RIGHT HAND



SEXP-589

This Exploded View references Table on Page 12

FUNCTIONAL COMPONENTS – LEFT HAND



SEXP-590

This Exploded View references Table on Page 12

FUNCTIONAL COMPONENTS – RIGHT & LEFT HAND

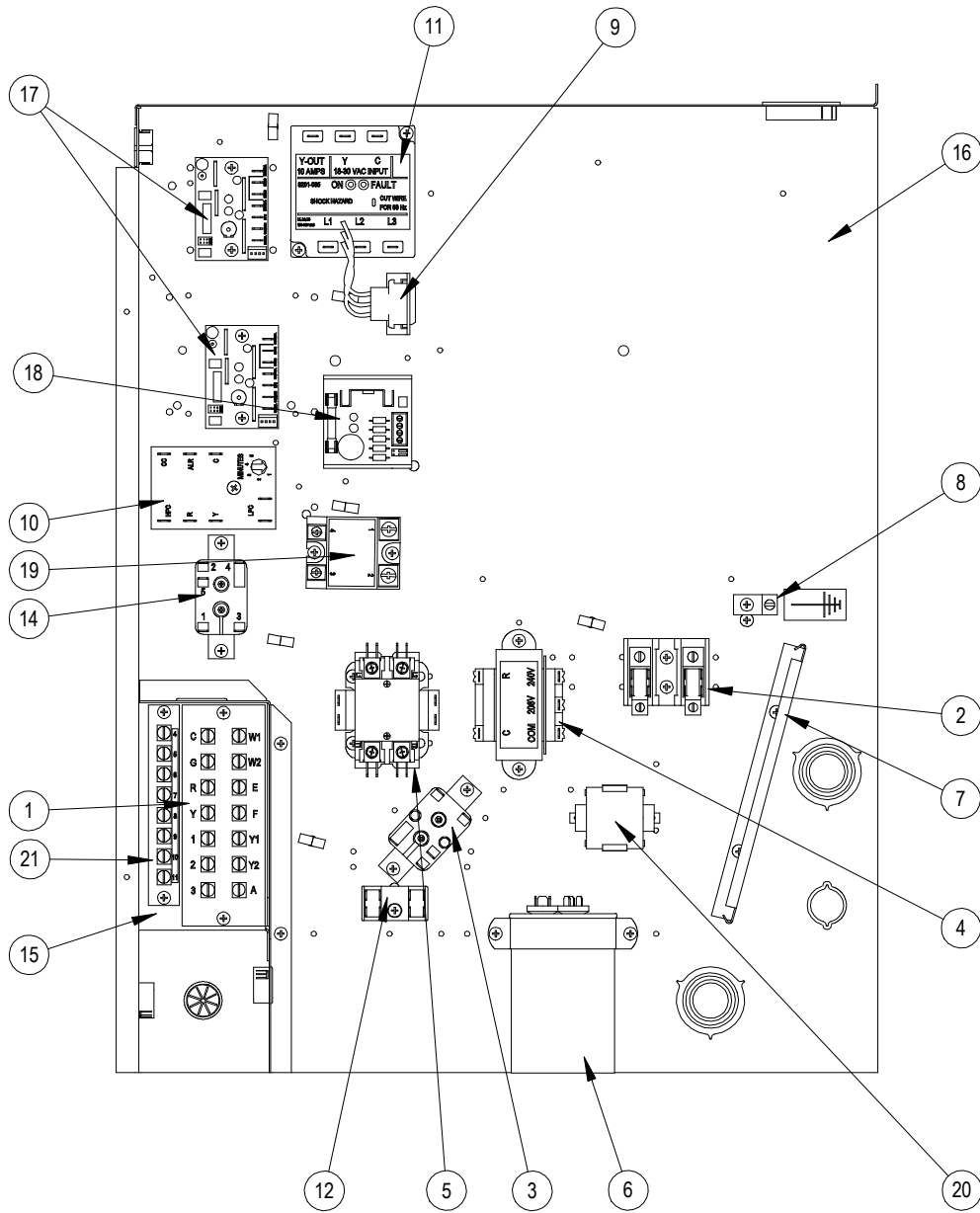
Drawing No.	Part No.	Description	W6RV1-S	W6RV1-T	W6LV1-S	W6LV1-T
1	8000-358	Compressor	X		X	
1	8000-359	Compressor		X		X
2	S900-273-009	Blower Assembly	X	X	X	X
3	8200-004	Fan Motor Mount	X	X	X	X
4	5151-027	Fan Blade	X	X	X	X
5	S8106-047-0080	1/2 HP ECM Motor with Programmed Control	X	X	X	X
6	5051-088BX	Condenser Coil	X	X	X	X
7	5651-213	Cooling TXV	X	X	X	X
8	5060-082BX	Evaporator Coil	X	X	X	X
9	7004-016	Air Filter 1" Throw-Away	X	X	X	X
9	7003-030	Air Filter 1" Washable ①	X	X	X	X
9	7004-027	Air Filter 2" Pleated ①	X	X	X	X
10	1171-022	1/4 Turn Fastener	X	X	X	X
11	1171-024	1/4 Turn Retainer	X	X	X	X
12	1171-023	1/4 Turn Receptacle	X	X	X	X
13	1804-0462	High Pressure Switch (Flare) - Red Leads	X	X	X	X
14	5650-049	Solenoid Valve	X	X	X	X
15	5202-018	Accumulator	X	X	X	X
16	5203-007	Receiver	X	X	X	X
17	800-0395	Cooling Distributor Assembly	X	X	X	X
18	1804-0107	Low Pressure Switch (Flare) - Blue Leads	X	X	X	X
NS	5201-002	Filter Drier	X	X	X	X
NS	8605-017	Crankcase Heater	X		X	
NS	8605-018	Crankcase Heate		X		X
NS	8408-039	Discharge Line Thermostat	X	X	X	X
NS	8406-128	Pressure Transducer	X	X	X	X

NS – Not Shown

① – Optional

This Exploded View references Table on Page 10 & 11

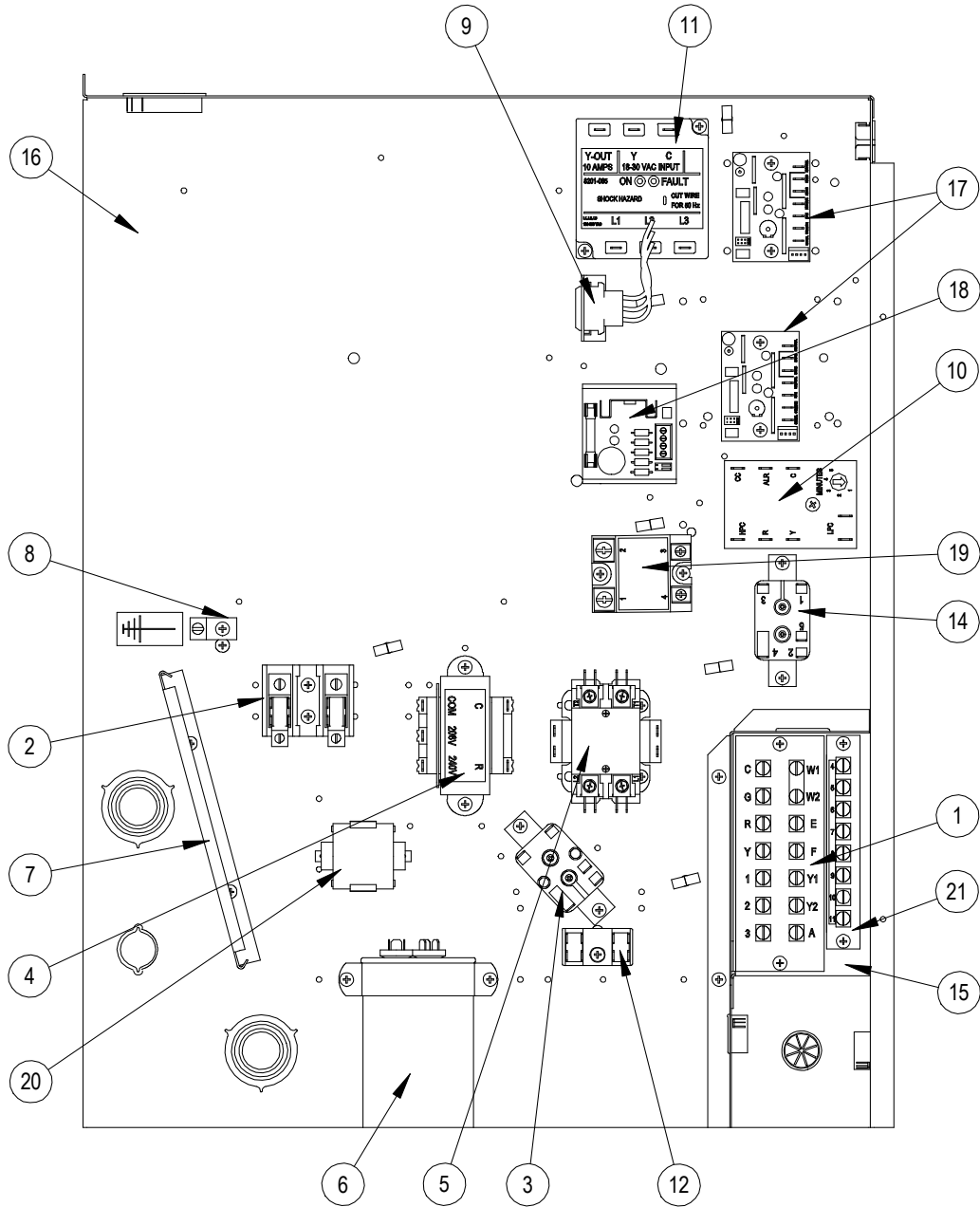
CONTROL PANEL – RIGHT HAND



SEXP-591

This Exploded View references Table on Page 15

CONTROL PANEL – LEFT HAND



SEXP-592

This Exploded View references Table on Page 15

CONTROL PANEL – RIGHT & LEFT HAND

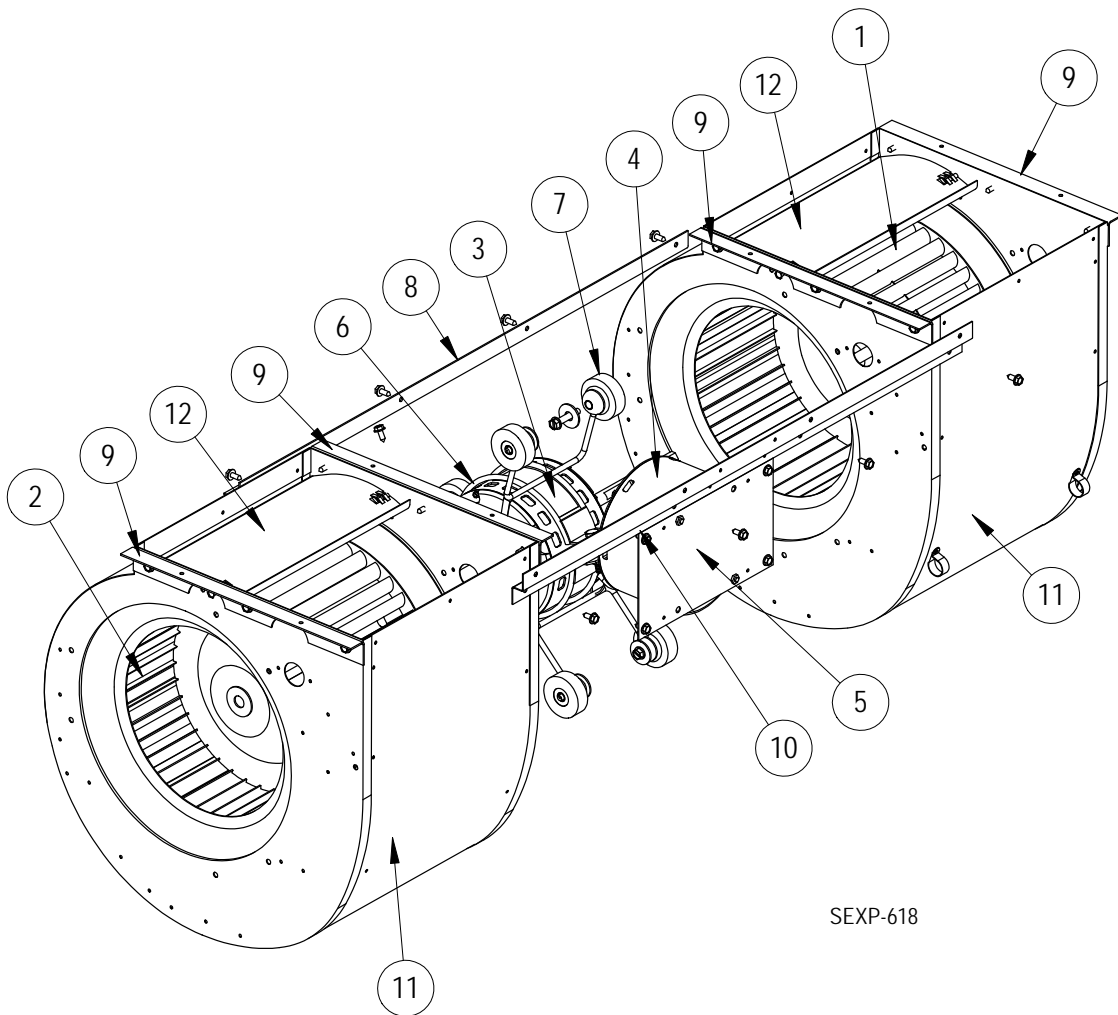
Drawing No.	Part No.	Description	W6RV1-S	W6RV1-T	W6LV1-S	W6LV1-T
1	8607-024	Low Voltage Terminal Strip	X	X	X	X
2	8607-014	Terminal Block 3 Pole	X	X	X	X
2	8607-015	Phenolic Insulator		X		X
4	8407-048	Transformer	X	X	X	X
5	8401-027	Compressor Contactor	X	X	X	X
7	135-130	Wire Shield	X	X	X	X
8	8611-006	Ground Terminal	X	X	X	X
9	3000-1357	6 Pin Connector	X	X	X	X
10	8201-148	Compressor Control Module	X	X	X	X
11	8201-126	Phase Monitor	X	X	X	X
12	8607-017	Terminal Block		X		X
14	8201-062	Alarm Relay	X	X	X	X
15	S117X139	Low Voltage Box	X	X	X	X
16	117X143	Control Panel	X	X		
16	117Y143	Control Panel			X	X
17	8201-124	Blower Control Board	2	2	2	2
18	8301-041	5VDC Supply	X	X	X	X
19	8201-123	Solid State Relay	X	X	X	X
21	8607-021	Terminal Strip (8 Terminal)	X	X	X	X
NS	8301-014	Outdoor Air Sensor	X	X	X	X
NS	8403-066	Thermostat Controller	X	X	X	X
NS	8614-041	Fuse Block		X		X
NS	8614-042	Fuses		X		X
NS	8615-043	Circuit Breaker 40A 3 Pole (Opt) ①	X		X	
NS	8615-068	Toggle Disconnect (Optional)		X		X
NS	3000-1221	Indoor Blower Power Harness	X	X	X	X
NS	3000-1358	Indoor Blower Low Voltage	X	X	X	X
NS	3000-1359	Outdoor Blower Low Voltage	X	X	X	X
NS	3000-1361	Pressure Transducer Harness	X	X	X	X
NS	3000-1230	Compressor Harness	X	X	X	X
NS	4095-254	Wiring Diagram	X		X	
NS	4095-354	Wiring Diagram		X		X

NS – Not Shown

- ① Circuit breakers listed are for units without electric heat "OZ" models.
See Heater Replacement Parts Manual for units with electric heat.

This Exploded View references Table on Page 13 & 14

BLOWER ASSEMBLY



SEXP-618

Drawing No.	Part No.	Description	900-273-009
1	5152-011	Wheel (CW)	X
2	5152-012	Wheel (CCW)	X
3	S8107-011-0079	Programmed Motor w/Control	X
4	C8107-011-0079	Programmed Motor Control-Only	X
5	112-344	Blower Motor Control Mount	X
6	8200-040	Motor Mount	X
7	5451-011	Grommets	6
8	105-881	Back Brace	X
9	105-880	Blower Angle	4
10	103-389	Front Brace	X
11	151-101	Blower Housing	2
12	144-166	Diffuser	2