

# REPLACEMENT PARTS MANUAL

## WALL MOUNTED PACKAGE HEAT PUMP MODEL 18WH6

Manual 2110-501

Revision A

Date 1-25-90

Supersedes 7-11-89

\*\*\*\*\*  
\* GENERAL NOTES \*  
\*\*\*\*\*

\*Revised and/or additional pages may be issued from time to time.  
\*A complete and current manual consists of pages dated as shown in the following index.

\*\*\*\*\*  
\*\* INDEX \*\*  
\*\*\*\*\*

<u>Page Description</u>	<u>Page</u>	<u>Date</u>	<u>Supersedes</u>
Cabinet Components--Exploded View	1	7-11-89	
" " --Usage List	2	1-25-90	7-11-89
Functional Components--Exploded View	3	7-11-89	
" " --Usage List	4	7-11-89	
Control Panel--Layout	5	7-11-89	
" " --Usage List	6	7-11-89	
Blower Assembly--Exploded View	7	7-11-89	
" " --Usage List	8	7-11-89	

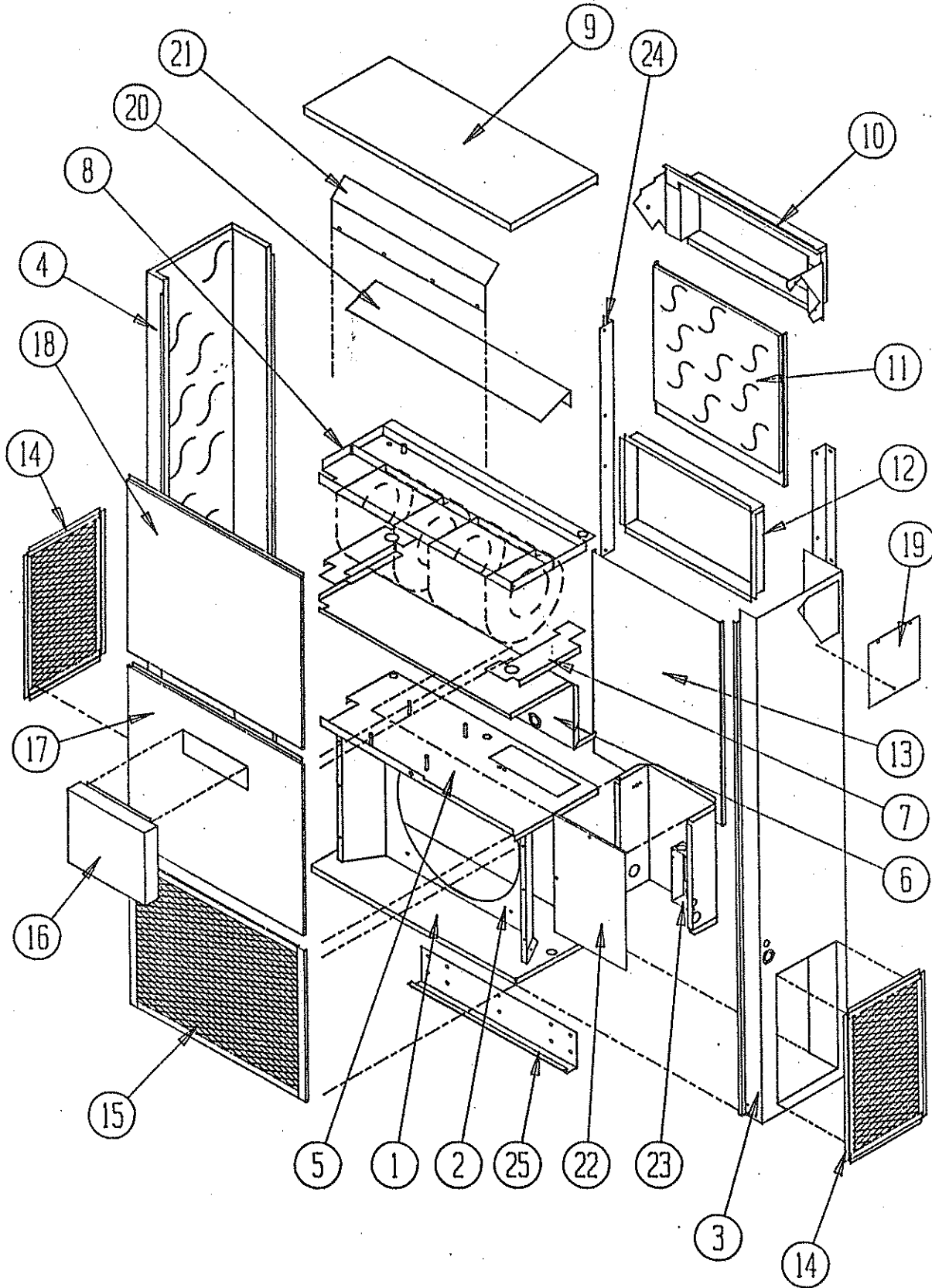
\*\*\*\*\*  
\*\*\* IMPORTANT \*\*\*  
\*\*\*\*\*

Contact the installing and/or local Bard distributor for all parts requirements. Make sure you have the complete model and serial number available from the unit rating plate.

BARD MANUFACTURING COMPANY

BRYAN, OHIO 43506

CABINET COMPONENTS



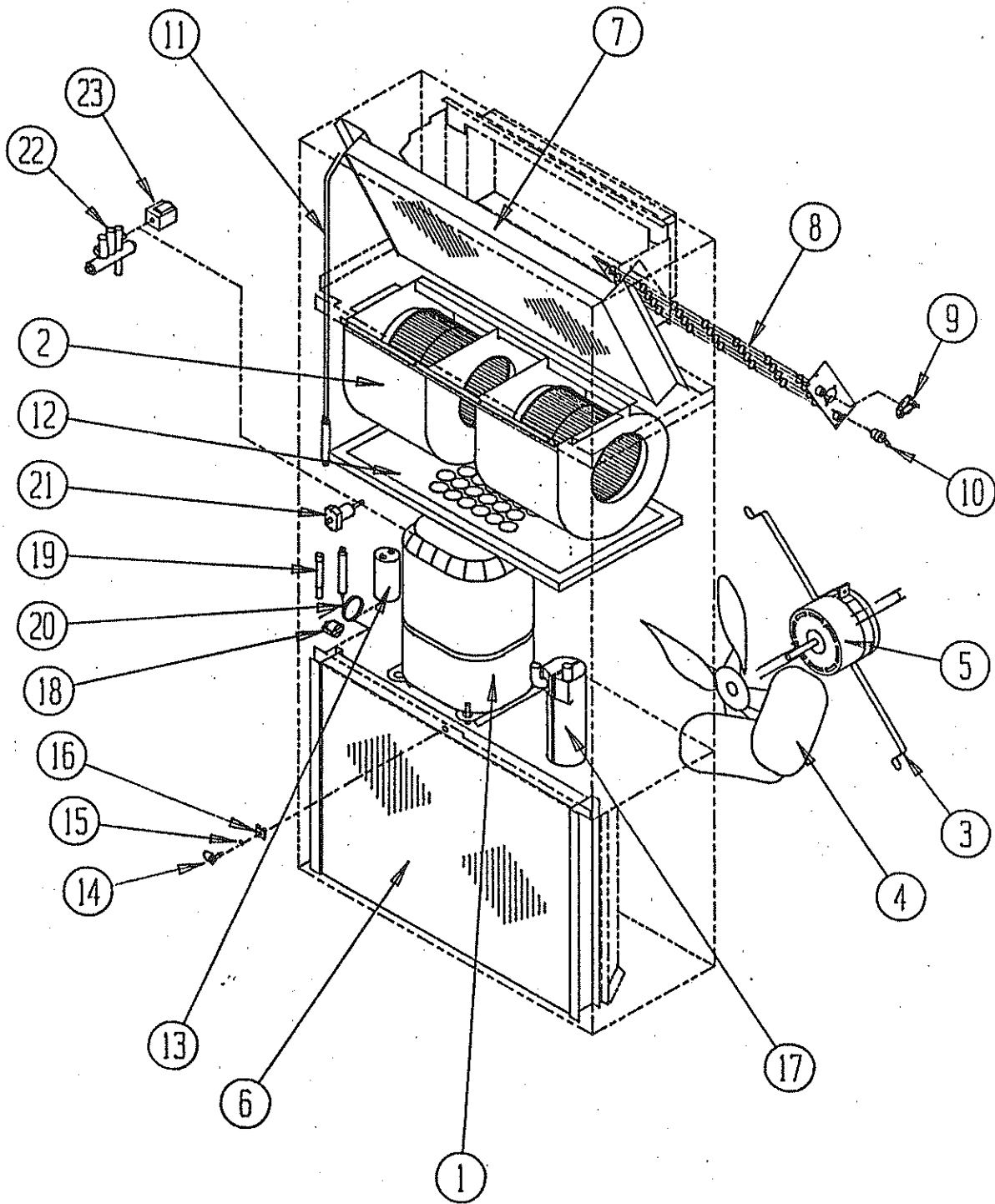
Date: 7-11-89  
Supersedes:

CABINET COMPONENTS

Item No.	Part No.	Description	U S A G E
1	126-001	Lower Base	X
2	124-001	Fan Shroud	X
3	501-162	Right Side Assembly	X
4	501-163	Left Side Assembly	X
5	127-103	Compressor Base	X
6	520-096	Compressor Partition	X
7	130-001	Filter Support	X
8	121-089	Water Pan Assembly	X
9	506-094	Top	X
10	111-015	Supply Air Frame	X
11	508-054	Upper Back	X
12	111-016	Inlet Air Frame	X
13	108-055	Lower Back	X
14	119-002	Side Condenser Grille	X
15	119-001	Front Condenser Grille	X
16	962001	Fresh Air Damper	X
17	552-106	Service Door	X
18	514-045	Upper Front	X
19	542-001	Side Cover Plate	X
20	136-112	Evaporator Bottom Support Fill	X
21	134-004	Air Baffle	X
22	Control Panel Cvr	See Control Panel Assembly Drawing and Parts List	X
23	Control Panel Asy	See Control Panel Assembly Drawing and Parts List	X
24	112-002	Side Mounting Bracket	X
25	112-001	Bottom Support Bracket	X

Date: 1-25-90  
Supersedes: 7-11-89

FUNCTIONAL COMPONENTS



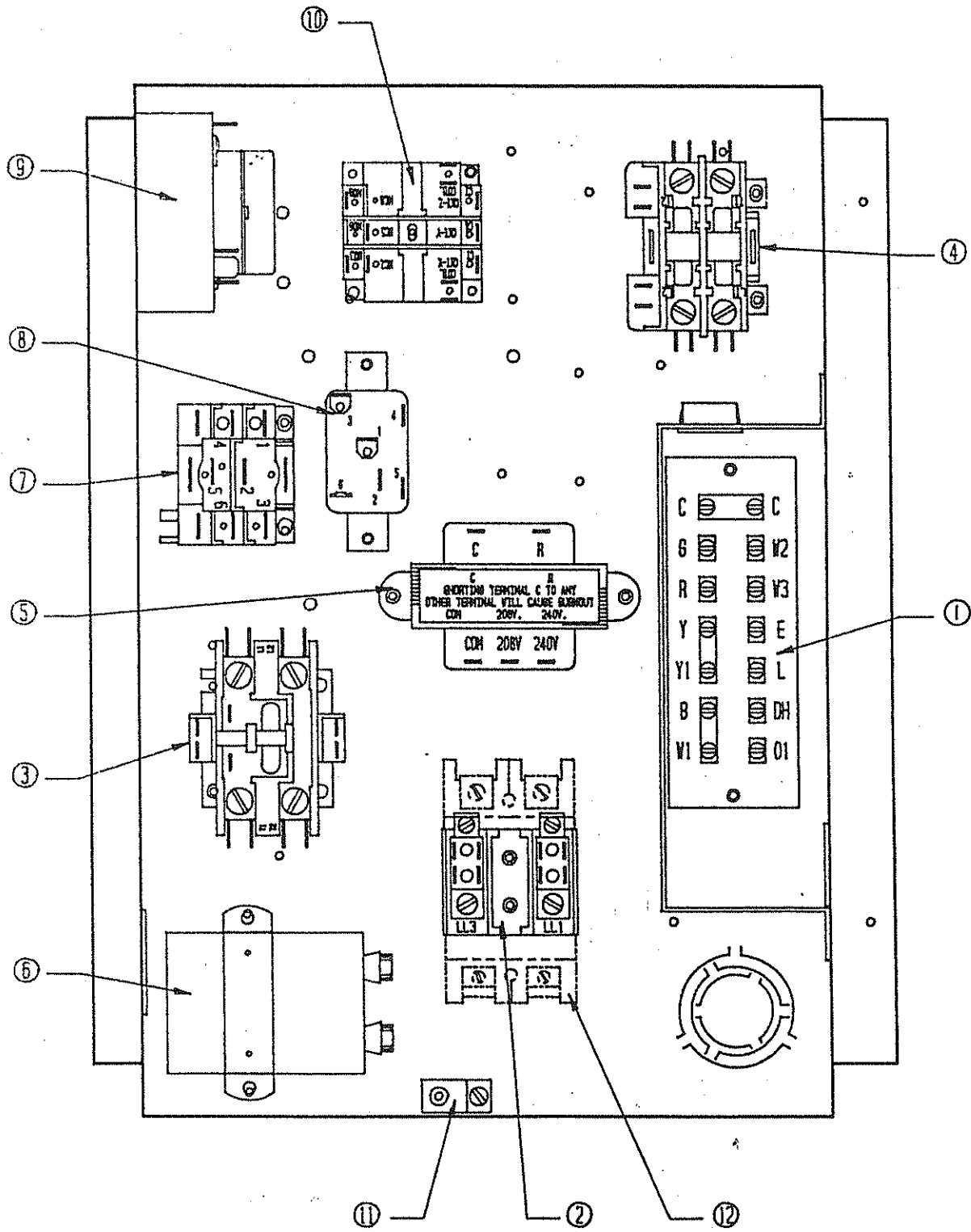
Date: 7-11-89  
Supersedes:

FUNCTIONAL COMPONENTS

Dwg. No.	Part No.	Description	1	1	1	1	1	1	2	2	2	2	2	2
			8	8	8	8	8	8	4	4	4	4	4	4
			W	W	W	W	W	W	W	W	W	W	W	W
			H	H	H	H	H	H	H	H	H	H	H	H
			6	6	6	6	6	6	6	6	6	6	6	6
			-	-	-	-	-	-	-	-	-	-	-	-
			A	A	A	A	A	A	A	A	A	A	A	A
			O	O	O	O	O	O	O	O	O	O	O	O
			0	4	8	0	4	8	0	4	8	0	4	8
			N	N	N	C	C	C	N	N	N	C	C	C
1	8000-100	Compressor AW5517F	X	X	X	X	X	X						
1	8000-101	Compressor H23B223ABCA							X	X	X	X	X	X
2	900-038	Blower Assembly (Complete)	X	X	X	X	X	X	X	X	X	X	X	X
3	8200-023	Motor Mount--Fan	X	X	X	X	X	X	X	X	X	X	X	X
4	5151-033	Fan Blade F10H8.7	X	X	X	X	X	X	X	X	X	X	X	X
5	8103-016	Motor--Fan 1/5 hp	X	X	X	X	X	X	X	X	X	X	X	X
6	5051-041	Condenser Coil	X	X	X	X	X	X	X	X	X	X	X	X
7	5060-048	Evaporator Coil	X	X	X	X	X	X	X	X	X	X	X	X
8	8604-088	Heat Strip 4KW		1			1			1			1	
8	8604-090	Heat Strip 8KW			1			1			1			1
9	8402-048	Limit Switch 160 Degree		X	X		X	X		X	X		X	X
10	8402-030	Thermal Cutoff		1	2		1	2		1	2		1	2
11	800-0087	Cooling Capillary Tube Assembly (36x.059)	X	X	X	X	X	X						
11	800-0089	Cooling Capillary Tube Assembly (28x.059)							X	X	X	X	X	X
12	7004-006	Filter 14x25	X	X	X	X	X	X	X	X	X	X	X	X
13	8552-027	Capacitor 25/370V	X	X	X	X	X	X						
13	8552-045	Capacitor 30/370V							X	X	X	X	X	X
14	1171-019	1/4 Turn Fastener	X	X	X	X	X	X	X	X	X	X	X	X
15	1171-021	Retainer Clip	X	X	X	X	X	X	X	X	X	X	X	X
16	1171-020	Fastener Receptacle	X	X	X	X	X	X	X	X	X	X	X	X
17	5202-013	Accumulator	X	X	X	X	X	X	X	X	X	X	X	X
18	8408-018	Defrost Thermostat	X	X	X	X	X	X	X	X	X	X	X	X
19	5651-036	Check Valve	X	X	X	X	X	X	X	X	X	X	X	X
20	800-0119	Heating Capillary Tube Assy. (32-1/2x.080)							X		X	X	X	X
20	800-0117	Heating Capillary Tube Assy. (25 x .070)	X	X	X	X	X	X						
21	8406-011	High Pressure Switch	X	X	X	X	X	X	X	X	X	X	X	X
22	5650-009	Reversing Valve	X	X	X	X	X	X	X	X	X	X	X	X
23	5650-008	Reversing Valve Solenoid Coil	X	X	X	X	X	X	X	X	X	X	X	X
24	905-0091	Complete Liquid Line Assembly	X	X	X	X	X							
24	905-0092	Complete Liquid Line Assembly						X	X	X	X	X	X	X

Date: 7-11-89  
Supersedes:

CONTROL PANEL



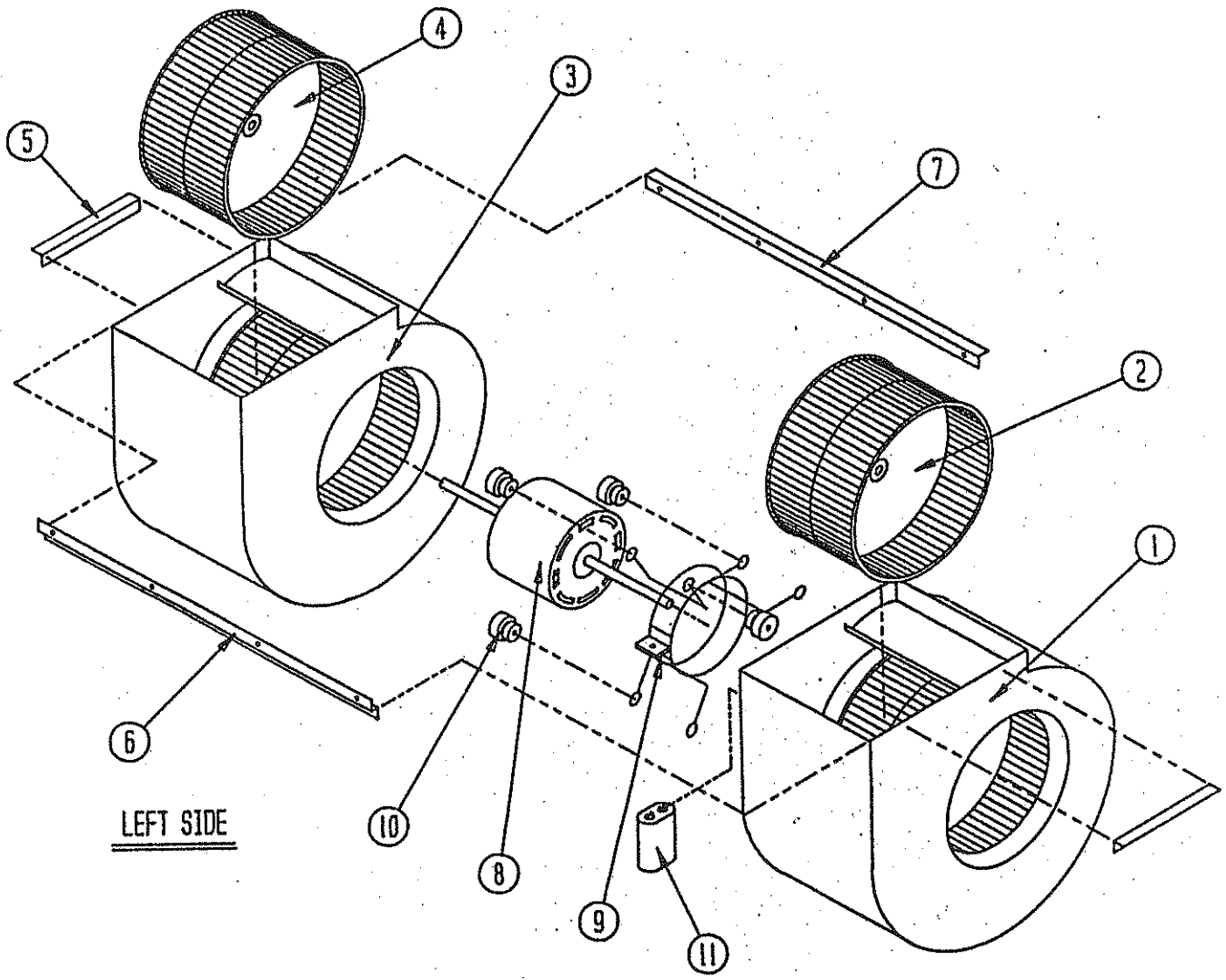
Date: 7-11-89  
 Supersedes:

CONTROL PANEL

Dwg. No.	Part No.	Description	1	1	1	1	1	1	2	2	2	2	2	2
			8	8	8	8	8	8	4	4	4	4	4	4
			W	W	W	W	W	W	W	W	W	W	W	W
			H	H	H	H	H	H	H	H	H	H	H	H
			6	6	6	6	6	6	6	6	6	6	6	6
			A	A	A	A	A	A	A	A	A	A	A	A
			0	0	0	0	0	0	0	0	0	0	0	0
			0	4	8	0	4	8	0	4	8	0	4	8
			N	N	N	C	C	C	N	N	N	C	C	C
1	8607-014	Low Voltage Terminal Block	X	X	X	X	X	X	X	X	X	X	X	X
2	8607-013	Terminal Block 230V		X	X				X	X				
3	8401-007	Contactor--Compressor 25A	1	1	1	1	1	1	1	1	1	1	1	1
4	8401-006	Contactor--Heater 2P18		1	1		1	1		1	1		1	1
5	8407-035	Transformer	X	X	X	X	X	X	X	X	X	X	X	X
6	8552-002	Capacitor 5/370V	X	X	X	X	X	X	X	X	X	X	X	X
7	8201-024	Relay--Compressor Fault	X	X	X	X	X	X	X	X	X	X	X	X
8	8201-009	Relay--Blower	X	X	X	X	X	X	X	X	X	X	X	X
9	8612-012	Timer	X	X	X	X	X	X	X	X	X	X	X	X
10	8201-047	Relay--Defrost	X	X	X	X	X	X	X	X	X	X	X	X
11	8611-006	Ground Lug	X	X	X	X	X	X	X	X	X	X	X	X
12	8615-009	Circuit Breaker					X							
12	8615-010	Circuit Breaker											X	
12	8615-013	Circuit Breaker									X			
12	8615-016	Circuit Breaker						X						X
12	8615-022	Circuit Breaker				X								
	4011-110	Wiring Diagram	X						X					
	4011-120	Wiring Diagram		X						X				
	4011-130	Wiring Diagram			X						X			
	4011-111	Wiring Diagram				X						X		
	4011-121	Wiring Diagram					X						X	
	4011-131	Wiring Diagram						X						X
	132-001	Control Panel Cover	X	X	X				X	X	X			
	132-068	Control Panel Cover				X	X	X				X	X	X

Date: 7-11-89  
Supersedes:

BLOWER ASSEMBLY



LEFT SIDE

Date: 7-11-89  
Supersedes:



BLOWER ASSEMBLY

Dwg. No.	Part No.	Description	900-038
1	5152-051	Blower Housing And Wheel Assembly	X
2	5152-028	Blower Wheel	X
3	5152-052	Blower Housing And Wheel Assembly	X
4	5152-029	Blower Wheel	X
5	104-001	Angle	X
6	102-300	Offset	X
7	104-505	Angle Back Brace	X
8	8102-009	Blower Motor	X
9	8200-031	Blower Motor Mount	X
10	5451-011	Grommet	X
11	8552-004	Capacitor 7.5/370V	X

Date: 7-11-89  
Supersedes: