

REPLACEMENT PARTS MANUAL

WALL MOUNTED PACKAGE HEAT PUMP MODEL 30WH6

Manual 2110-503

Revision --

Date 7-11-89

Supersedes

* GENERAL NOTES *

*Revised and/or additional pages may be issued from time to time.
*A complete and current manual consists of pages dated as shown in the following index.

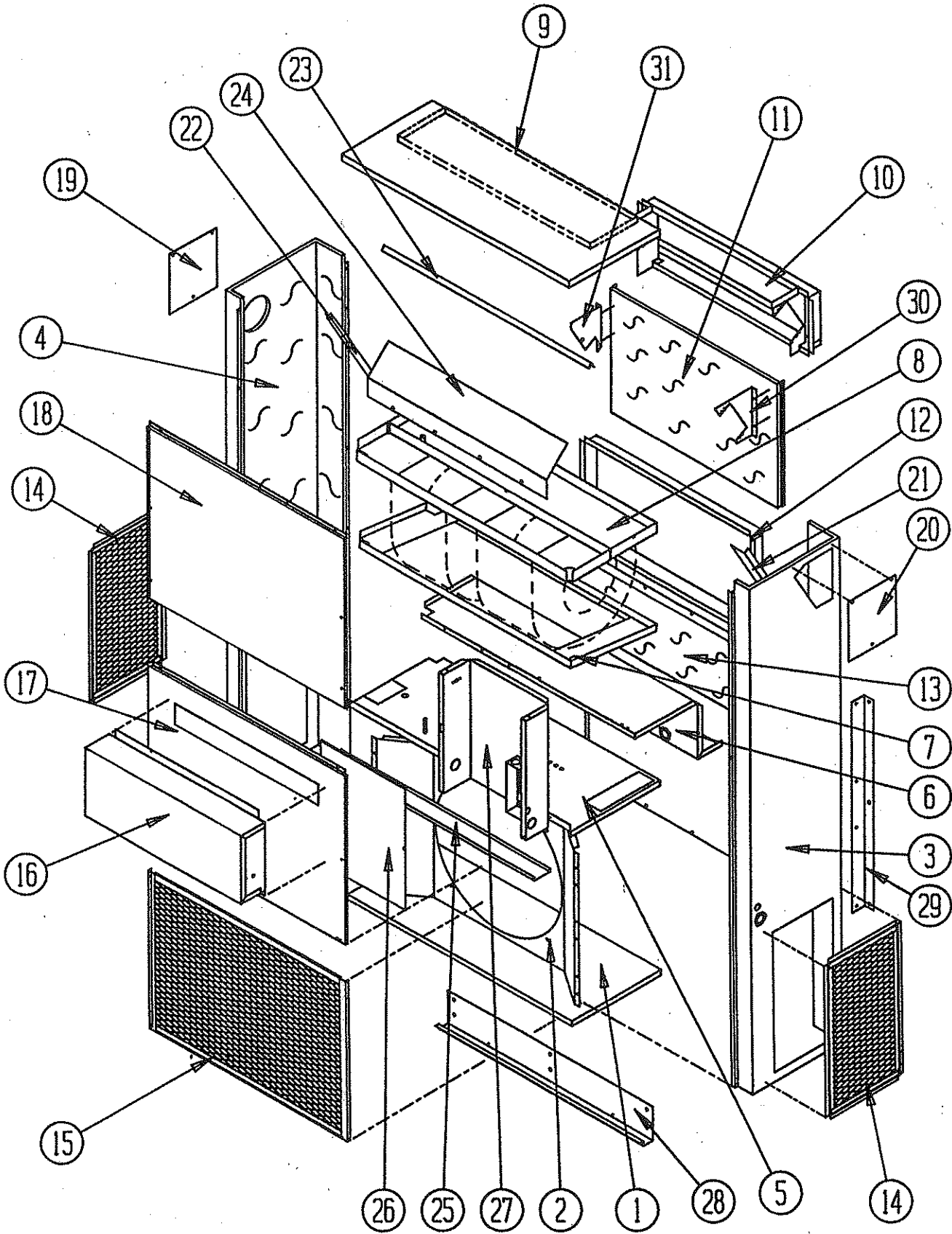
** INDEX **

<u>Page Description</u>	<u>Page</u>	<u>Date</u>	<u>Supersedes</u>
Cabinet Components--Exploded View	1	7-11-89	
" " --Usage List	2	7-11-89	
Functional Components--Exploded View	3	7-11-89	
" " --Usage List	4	7-11-89	
Control Panel W/O Circuit Breaker--Layout	5	7-11-89	
" " --Usage List	6	7-11-89	
Control Panel W/Circuit Breaker--Layout	7	7-11-89	
" " --Usage List	8	7-11-89	
Blower Assembly--Exploded View	9	7-11-89	
" " --Usage List	10	7-11-89	

*** IMPORTANT ***

Contact the installing and/or local Bard distributor for all parts requirements. Make sure you have the complete model and serial number available from the unit rating plate.

CABINET COMPONENTS



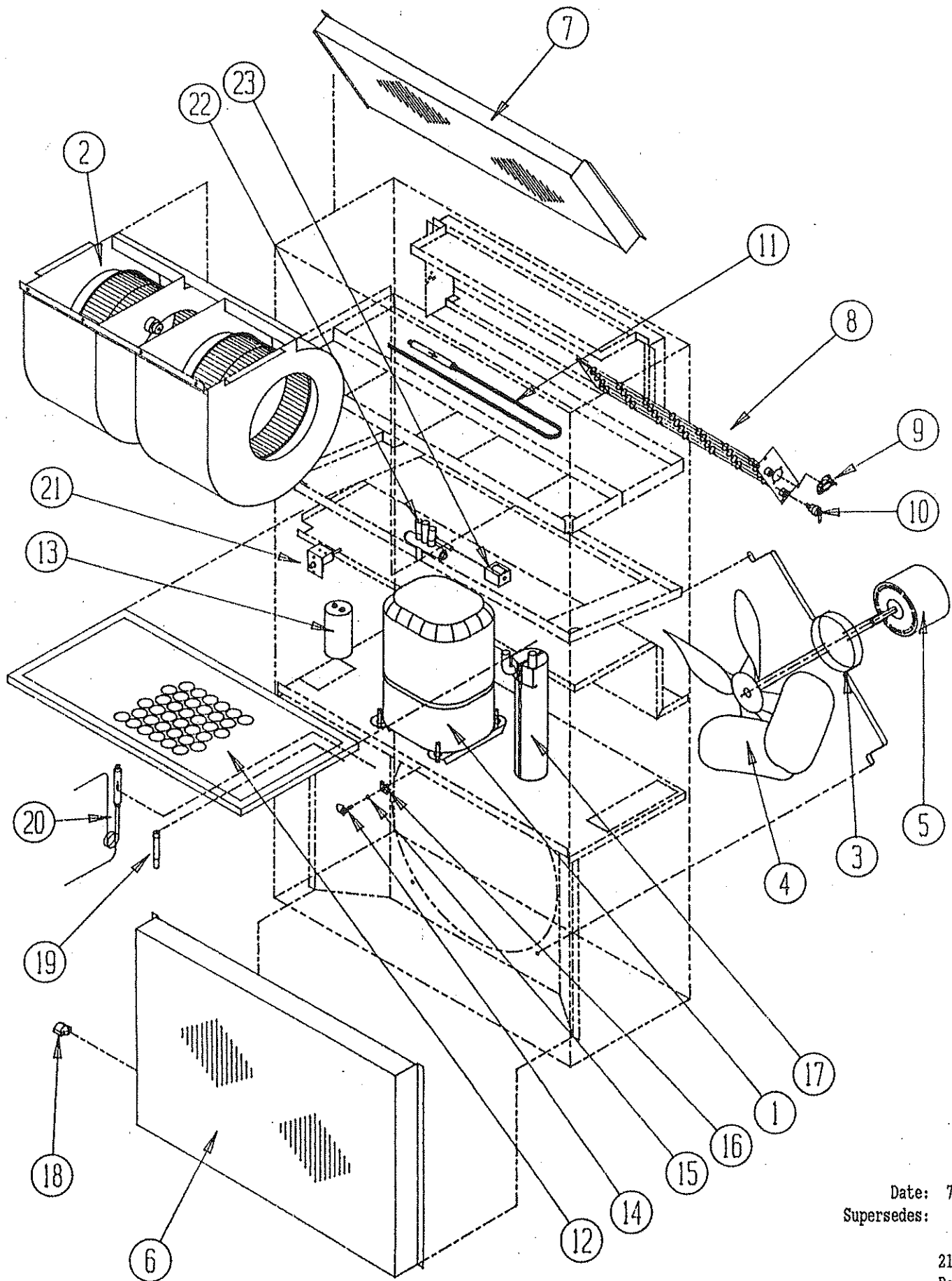
Date: 7-11-89
Supersedes:

CABINET COMPONENTS

Dwg. No.	Part No.	Description	S T A N D A R D	T O P O U T L E T
1	126-003	Lower Base	X	X
2	124-002	Fan Shroud	X	X
3	501-164	Right Side	X	X
4	501-165	Left Side	X	X
5	127-098	Compressor Base	X	X
6	520-097	Compressor Partition	X	X
7	131-002	Filter Tray	X	X
8	521-004	Blower Addition/Drain Pan Assembly	X	X
9	506-095	Top	X	
9	507-003	Top		X
10	111-017	Outlet Airframe Assembly	X	
11	508-056	Upper Back	X	
11	508-058	Extended Upper Back		X
12	111-018	Inlet Air Frame Assembly	X	X
13	508-057	Lower Back	X	X
14	119-004	Side Grille	2	2
15	119-003	Condenser Grille	X	X
16	FAD25	Fresh Air Damper Assembly	X	X
17	552-107	Service Door	X	X
18	514-046	Upper Front	X	X
19	542Y004	Left Side Cover Plate	X	X
20	542X004	Right Side Cover Plate	X	X
21	141-006	Right Evaporator Support	X	X
22	141-007	Left Evaporator Support	X	X
23	136-093	Evaporator Fill Plate	X	X
24	134-008	Air Baffle	X	X
25	136-002	Condenser Coil Spacer	X	X
26	Cntrl.Cvr.	See Control Panel Assembly Drawing and Parts List	X	X
27	Cntrl.Pnl. Assembly	See Control Panel Assembly Drawing and Parts List	X	X
28	112-006	Bottom Mounting Bracket	X	X
29	112-002	Side Mounting Bracket	2	2
30	112-007	Right Heat Strip Bracket		X
31	112-008	Left Heat Strip Bracket		X

Date: 7-11-89
Supersedes:

FUNCTIONAL COMPONENTS



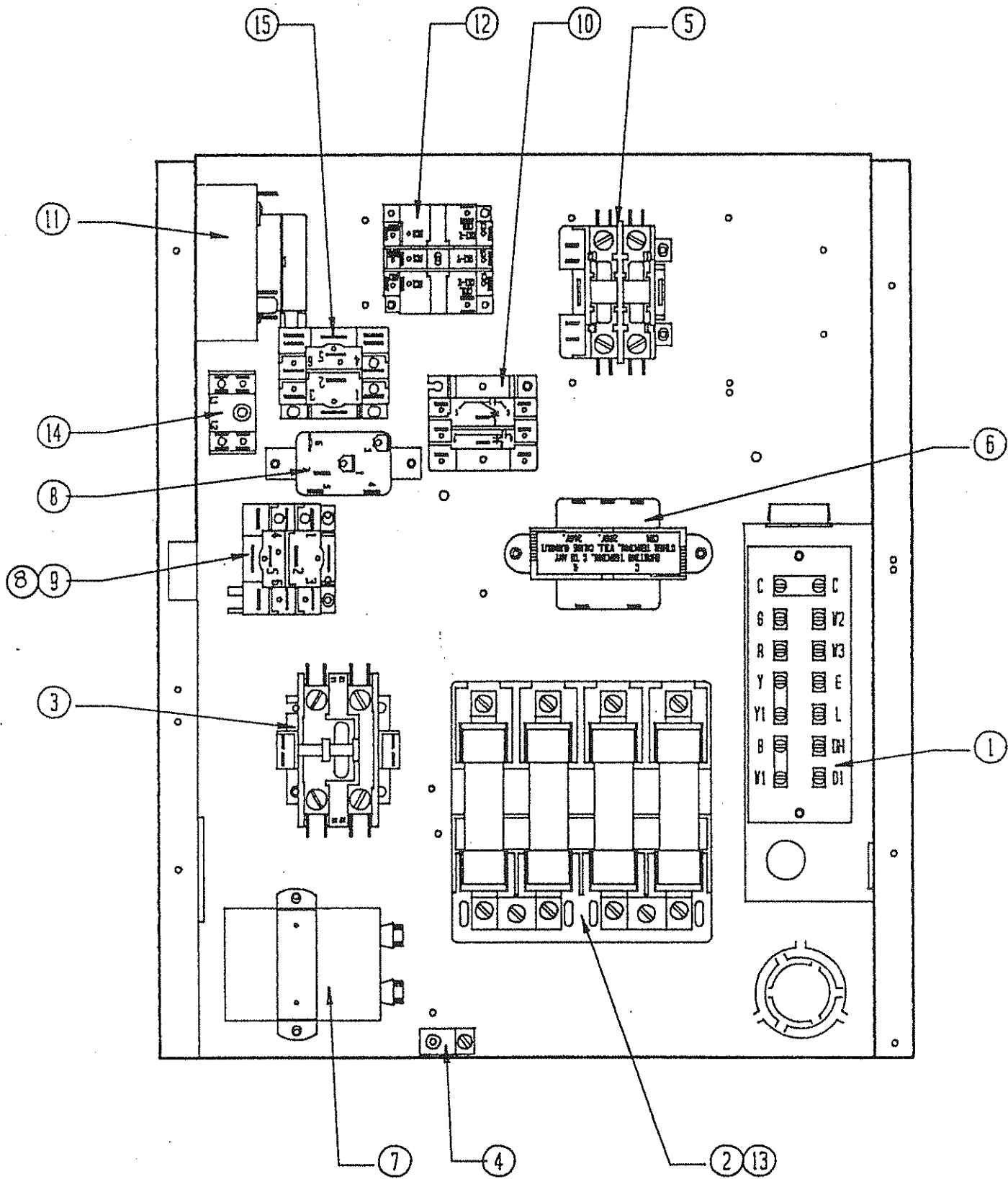
Date: 7-11-89
Supersedes:

FUNCTIONAL COMPONENTS

Dwg. No.	Part No.	Description	30WH6A00NC	30WH6A00NC	30WH6A01NC	30WH6A01NC	30WH6B00NC	30WH6B00NC	30WH6D01NT	30WH6A00TT	30WH6A01TT	30WH6A01TT	30WH6B00TT	30WH6B00TT
1	8000-038	Compressor							X					
1	8000-099	Compressor H23B283ABCA	X	X	X	X				X	X	X	X	
1	8000-053	Compressor CRG3-0250-TF5					X	X						X
2	900-039	Blower Assembly (Complete)	X	X	X	X	X	X	X	X	X	X	X	X
3	8200-001	Motor Mount (Condenser)	X	X	X	X	X	X	X	X	X	X	X	X
4	5151-004	Fan Blade							X					
4	5151-032	Fan Blade	X	X	X	X	X	X		X	X	X	X	X
5	8103-016	Condenser Motor	X	X	X	X	X	X	X	X	X	X	X	X
6	5051-052	Condenser Coil	X	X	X	X	X	X	X	X	X	X	X	X
7	5060-052	Evaporator Coil	X	X	X	X	X	X	X	X	X	X	X	X
8	8604-089	Heat Strip		X							X			
8	8604-091	Heat Strip			X				X					
8	8604-047	Heat Strip				X						X		
8	8604-048	Heat Strip						X						X
9	8402-031	Limit Control		X	X	X		X	X		X	X	X	X
10	8402-030	Thermal Cut-Off								X	2	3		2
10	8402-032	Thermal Cutoff		X	2	3		2	2					
11	800-0121	Cooling Capillary Assembly	X	X	X	X	X	X	X	X	X	X	X	X
12	7004-008	Air Filter	X	X	X	X	X	X	X	X	X	X	X	X
13	8552-007	Capacitor 20/15-370							X					
13	8552-032	Capacitor (Compressor)	X	X	X	X				X	X	X	X	
14	1171-019	1/4 Turn Fastener	X	X	X	X	X	X	X	X	X	X	X	X
15	1171-021	Fastener Retainer	X	X	X	X	X	X	X	X	X	X	X	X
16	1171-020	Fastener Retainer	X	X	X	X	X	X	X	X	X	X	X	X
17	5202-016	Accumulator	X	X	X	X	X	X	X	X	X	X	X	X
18	8408-018	Defrost Thermostat	X	X	X	X	X	X	X	X	X	X	X	X
19	5651-036	Check Valve	X	X	X	X	X	X	X	X	X	X	X	X
20	800-0122	Heating Capillary Assembly	X	X	X	X	X	X	X	X	X	X	X	X
21	8406-010	High Pressure Switch	X	X	X	X	X	X	X	X	X	X	X	X
22	5650-013	Reversing Valve	X	X	X	X	X	X	X	X	X	X	X	X
23	5650-008	Solenoid Coil	X	X	X	X	X	X	X	X	X	X	X	X

Date: 7-11-89
Supersedes:

CONTROL PANEL WITHOUT CIRCUIT BREAKERS



Date: 7-11-89
Supersedes:

CONTROL PANEL
WITHOUT CIRCUIT BREAKERS

Dwg. No.	Part No.	Description	3 0 W H 6 A 0 0 N T	3 0 W H 6 A 0 5 N T	3 0 W H 6 A 1 0 N T	3 0 W H 6 A 1 5 N T	3 0 W H 6 B 0 0 N T	3 0 W H 6 B 0 9 N T	3 0 W H 6 D 1 0 N
1	8607-019	Low Voltage Terminal Strip	X	X	X	X	X	X	X
2	8607-013	Terminal Block	X	X					
2	8607-014	Terminal Block					X		
2	8614-017	Fuse Block			X				X
2	8614-018	Fuse Block				X			
3	8401-007	Compressor Contactor	X	X	X	X			X
3	8401-002	Compressor Contactor					X	X	
4	8611-006	Ground Terminal	X	X	X	X	X	X	X
5	8401-006	Heat Contactor		X	X	2		X	X
6	8407-035	Transformer	X	X	X	X	X	X	X
7	8552-002	Condenser Fan Capacitor	X	X	X	X	X	X	X
8	8201-009	Blower Relay	X	X	X	X	X	X	X
9	8201-024	Compressor Fault Relay	X	X	X	X			X
10	8201-013	Emergency Heat Relay				X			
11	8612-012	Defrost Timer	X	X	X	X	X	X	X
12	8201-047	Defrost Relay	X	X	X	X	X	X	X
13	134-006	Fusing Barrier			X	X			X
	4012-110	Wiring Diagram	X						
	4012-120	Wiring Diagram		X					
	4012-130	Wiring Diagram			X				
	4012-140	Wiring Diagram				X			
	4012-210	Wiring Diagram					X		
	4012-220	Wiring Diagram						X	
	4012-430	Wiring Diagram							X
	132-003	Control Panel Cover	X	X			X	X	
	133-036	Control Panel Cover			X	X			X

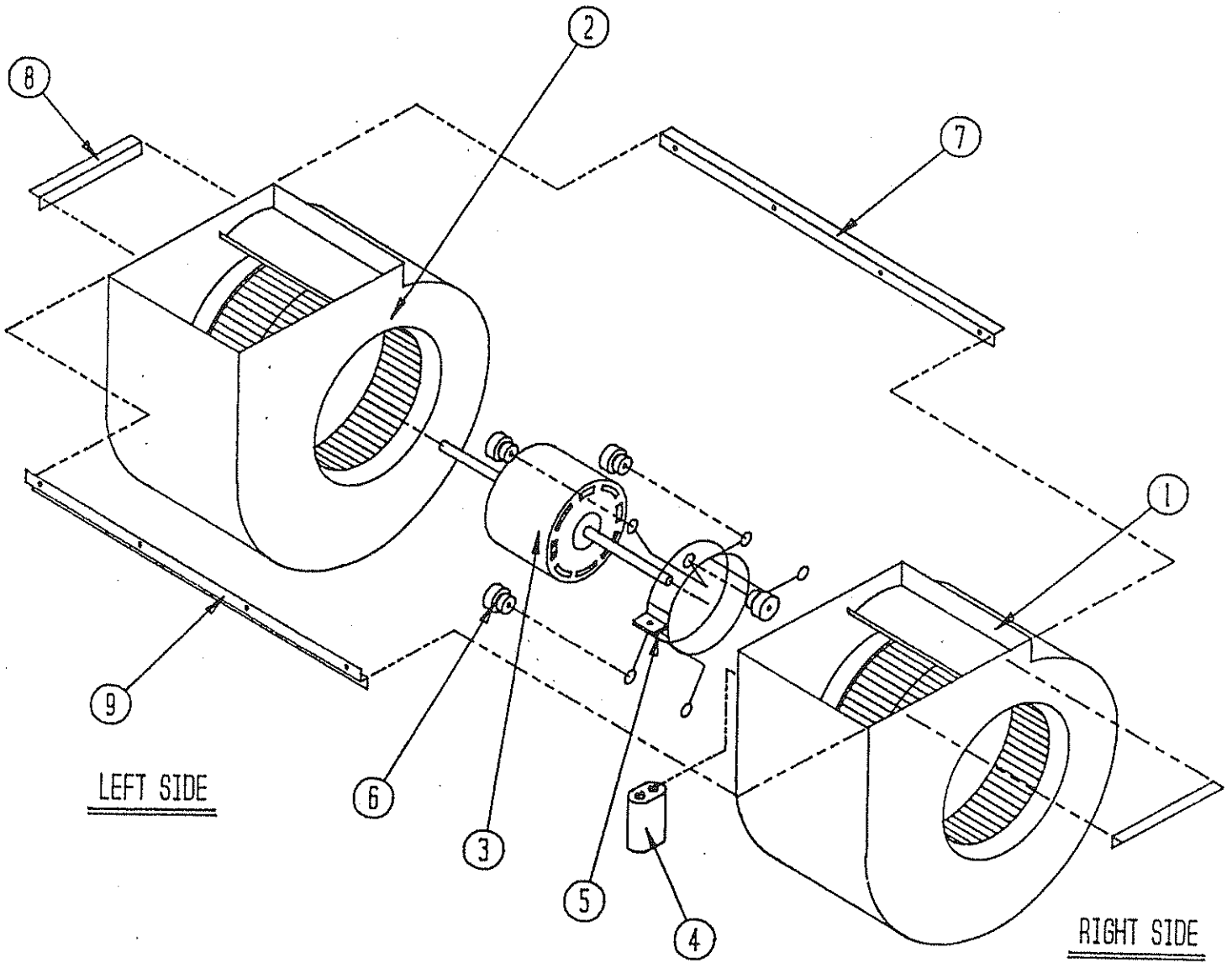
Date: 7-11-89
Supersedes:

CONTROL PANEL
WITH CIRCUIT BREAKER

Dwg. No.	Part No.	Description	3 0 W H 6 A 0 0 C	3 0 W H 6 A 0 5 C	3 0 W H 6 A 1 0 C	3 0 W H 6 A 1 5 C	3 0 W H 6 B 0 0 C	3 0 W H 6 B 0 9 C
1	8607-019	Low Voltage Terminal Strip	X	X	X	X	X	X
2	8615-009	Circuit Breaker	X					
2	8615-015	Circuit Breaker		X	X	X		
2	8615-013	Circuit Breaker			X			
2	8615-016	Circuit Breaker				X		
2	8615-017	Circuit Breaker					X	
2	8615-021	Circuit Breaker						X
3	8401-007	Compressor Contactor	X	X	X	X		
3	8401-002	Compressor Contactor					X	X
4	8611-006	Ground Terminal	X	X	2	2	X	X
5	8401-006	Heat Contactor		X	X	2		X
6	8407-035	Transformer	X	X	X	X	X	X
7	8552-002	Condenser Fan Capacitor	X	X	X	X	X	X
8	8201-009	Blower Relay	X	X	X	X	X	X
9	8201-024	Compressor Fault Relay	X	X	X	X		
10	8201-013	Emergency Heat Relay				X		
11	8612-012	Defrost Timer	X	X	X	X	X	X
12	8201-047	Defrost Relay	X	X	X	X	X	X
	4012-111	Wiring Diagram	X					
	4012-121	Wiring Diagram		X				
	4012-131	Wiring Diagram			X			
	4012-141	Wiring Diagram				X		
	4012-211	Wiring Diagram					X	
	4012-221	Wiring Diagram						X
	132-098	Control Panel Cover	X	X	X	X	X	X

Date: 7-11-89
Supersedes:

BLOWER ASSEMBLY



LEFT SIDE

RIGHT SIDE

Date: 7-11-89
Supersedes:

BLOWER ASSEMBLY

Dwg. No.	Part No.	Description	9	9
			0	0
			0	0
			0	0
			3	7
			9	0
1	5152-051	Housing, Wheel and Cutoff (CW)	X	X
2	5152-052	Housing, Wheel and Cutoff	X	X
3	8105-029	Blower Motor (230/208)	X	
3	8105-033	Blower Motor (460)		X
4	8552-002	Capacitor	X	X
5	8200-031	Motor Mount	X	X
6	5451-011	Grommets	6	6
7	104-505	Back Brace	X	X
8	104-001	Side Angle	2	2
9	102-300	Front Brace	X	X

Date: 7-11-89
Supersedes: