

REPLACEMENT PARTS MANUAL

WALL MOUNTED PACKAGE HEAT PUMP MODEL 36WH7

Manual 2110-504

Revision B

Date 6-15-90

Supersedes 1-25-90

* GENERAL NOTES *

*Revised and/or additional pages may be issued from time to time.
*A complete and current manual consists of pages dated as shown in the following index.

** INDEX **

<u>Page Description</u>	<u>Page</u>	<u>Date</u>	<u>Supersedes</u>
Cabinet Components--Exploded View	1	7-11-89	
" " --Usage List	2	6-15-90	1-25-90
Functional Components--Exploded View	3	7-11-89	
" " --Usage List	4	7-11-89	
Control Panel W/O Circuit Breaker--Layout	5	6-15-90	7-11-89
" " --Usage List	6	6-15-90	7-11-89
Control Panel W/Circuit Breaker--Layout	7	6-15-90	7-11-89
" " --Usage List	8	6-15-90	1-25-90
Blower Assembly--Exploded View	9	7-11-89	
" " --Usage List	10	7-11-89	

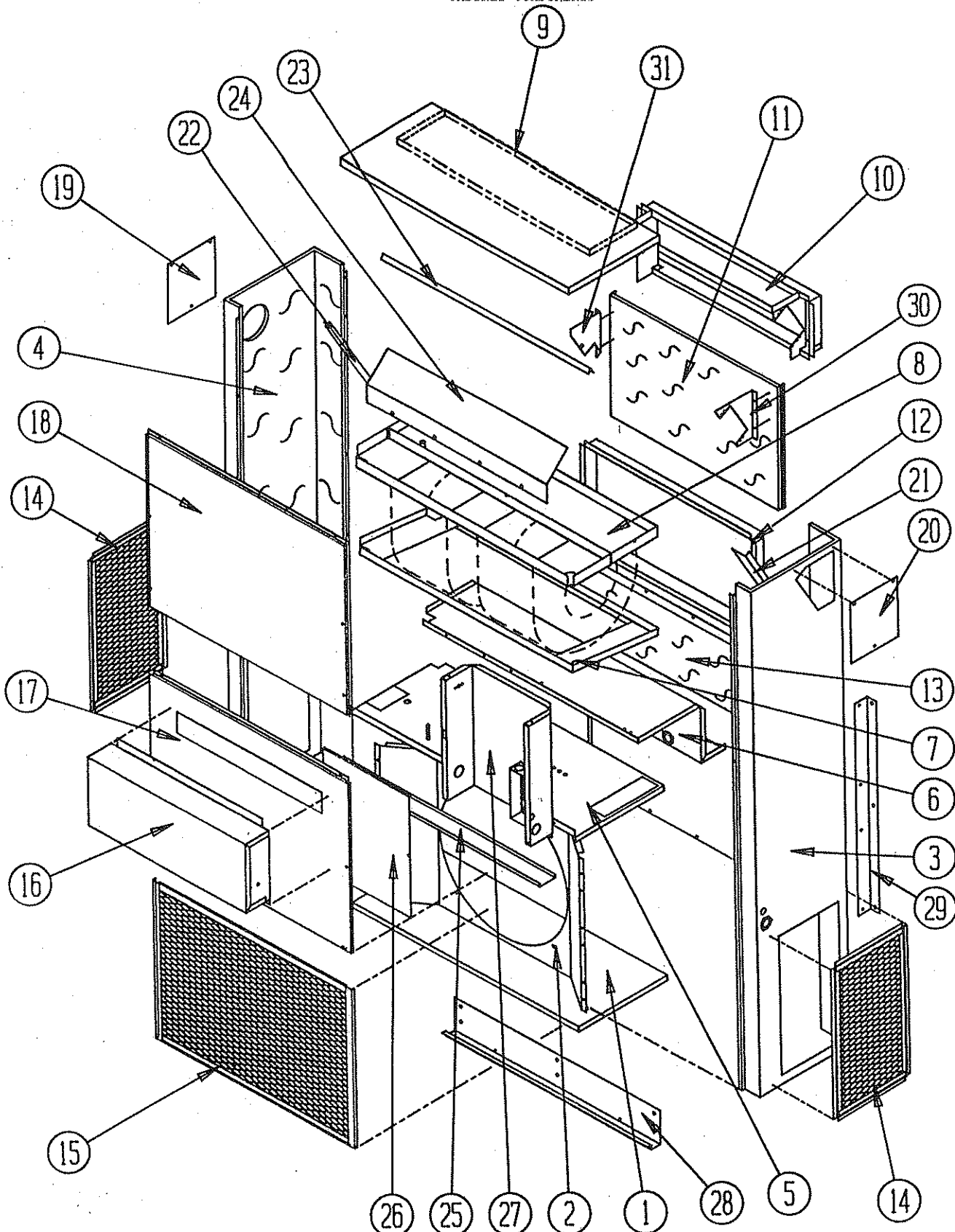
*** IMPORTANT ***

Contact the installing and/or local Bard distributor for all parts requirements. Make sure you have the complete model and serial number available from the unit rating plate.

BARD MANUFACTURING COMPANY

BRYAN, OHIO 43506

CABINET COMPONENTS



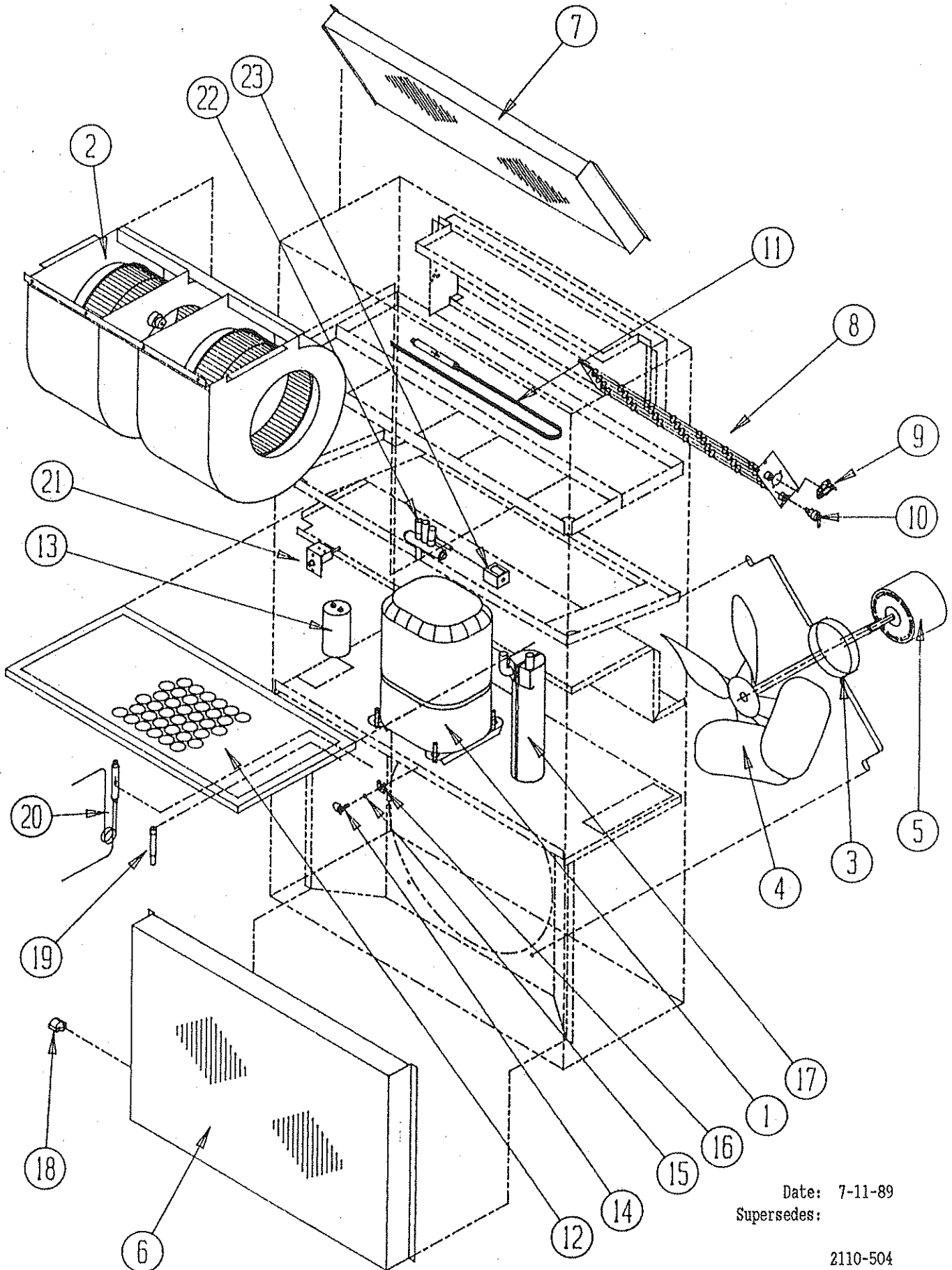
Date: 7-11-89
Supersedes:

CABINET COMPONENTS

Dwg. No.	Part No.	Description	S T A N D A R D	T O P O U T L E T
1	126-003	Lower Base	x	x
2	124-019	Fan Shroud	x	x
3	501-164	Right Side	x	x
4	501-165	Left Side	x	x
5	127-098	Compressor Base	x	x
6	520-097	Compressor Partition	x	x
7	131-002	Filter Tray	x	x
8	521-004	Blower Partition/Drain PanAssembly	x	x
9	506-095	Top	x	
9	507-003	Top		x
10	111-017	Outlet Airframe Assembly	x	
11	508-056	Upper Back	x	
11	508-058	Extended Upper Back		x
12	111-018	Inlet Air Frame Assembly	x	x
13	508-057	Lower Back	x	x
14	119-004	Side Grille	2	2
15	119-003	Condenser Grille	x	x
16	962002	Fresh Air Damper Assembly	x	x
17	552-107	Service Door	x	x
18	514-046	Upper Front	x	x
19	542Y004	Left Side Cover Plate	x	x
20	542X004	Right Side Cover Plate	x	x
21	141-006	Right Evaporator Support	x	x
22	141-007	Left Evaporator Support	x	x
23	136-093	Evaporator Fill Plate	x	x
24	134-008	Air Baffle	x	x
25	136-002	Condenser Coil Spacer	x	x
26	Cntrl.Cvr.	See Control Panel Assembly Drawing and Parts List	x	x
27	Cntrl.Pnl. Assembly	See Control Panel Assembly Drawing and Parts List	x	x
28	112-006	Bottom Mounting Bracket	x	x
29	112-002	Side Mounting Bracket	2	2
30	112-007	Right Heat Strip Bracket		x
31	112-008	Left Heat Strip Bracket		x

Date: 6-15-90
Supersedes: 1-25-90

FUNCTIONAL COMPONENTS



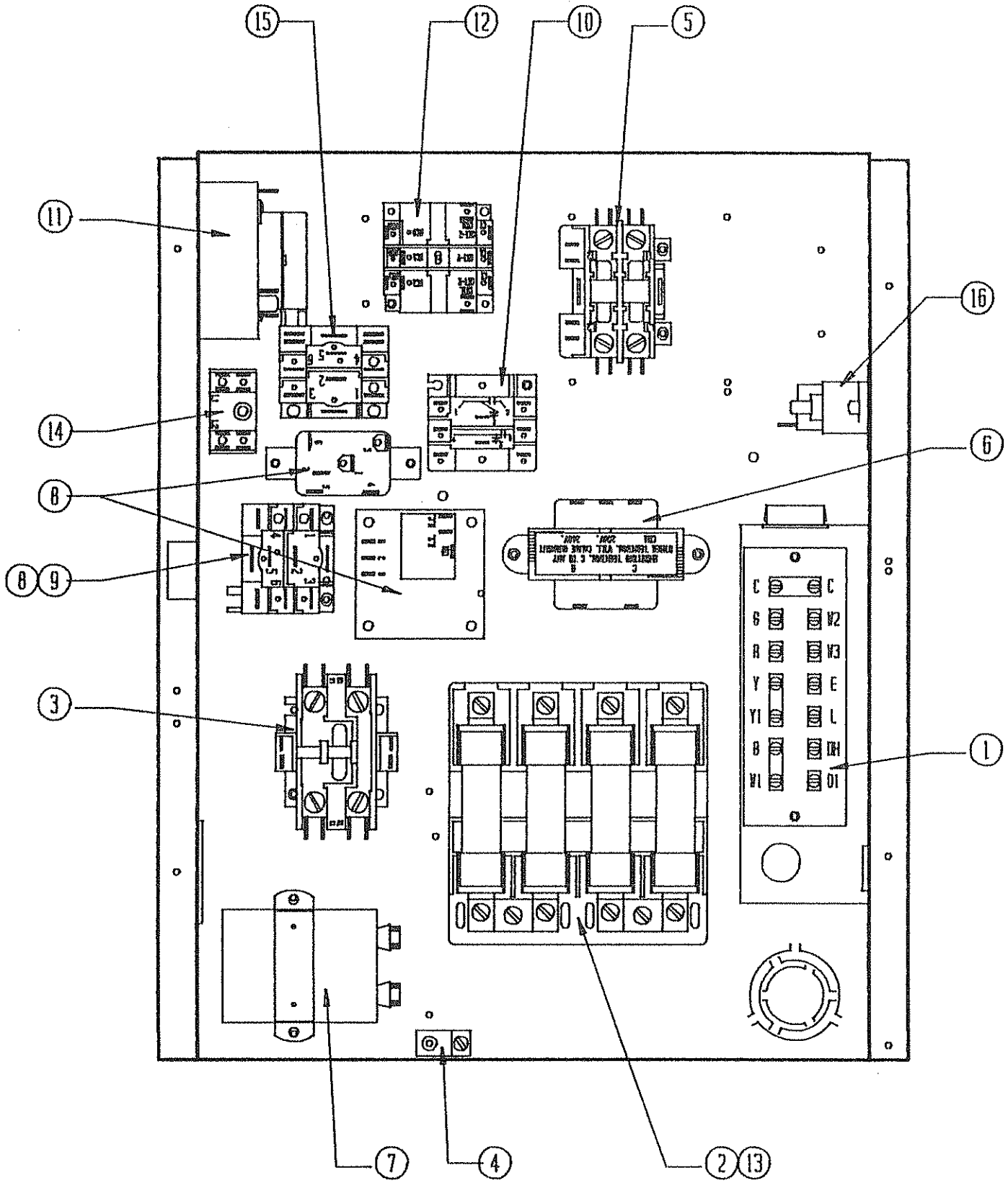
Date: 7-11-89
Supersedes:

FUNCTIONAL COMPONENTS

Dwg. No.	Part No.	Description	3 6 W H 7 A 0 0 N, C	3 6 W H 7 A 0 5 N, C	3 6 W H 7 A 1 0 N, C	3 6 W H 7 A 1 5 N, C	3 6 W H 7 B 0 0 N, C	3 6 W H 7 B 0 6 N, C	3 6 W H 7 B 0 9 N, C	3 6 W H 7 B 1 5 N, C	3 6 W H 7 C 0 0 N, C	3 6 W H 7 C 0 9 N, C	3 6 W H 7 C 1 5 N, C	3 6 W H 7 D 1 0 N	3 6 W H 7 E 0 9 N	3 6 W H 7 A 0 0 T	3 6 W H 7 A 0 5 T	3 6 W H 7 A 1 0 T	3 6 W H 7 A 1 5 T	3 6 W H 7 B 0 0 T	3 6 W H 7 B 0 6 T	3 6 W H 7 B 0 9 T	
1	8000-039	Compressor												X									
1	8000-058	Compressor CRJ3-0300-PFV	X	X	X	X											X	X	X	X			
1	8000-059	Compressor CRJ3-0300-TF5					X	X	X	X					X						X	X	X
1	8000-060	Compressor CRJ3-0300-TFD									X	X	X										
2	900-039	Blower Assembly (Complete)	X	X	X	X	X	X	X					X	X	X	X	X	X	X	X	X	X
2	900-070	Blower Assembly (Complete)								X	X	X											
3	8200-001	Motor Mount (Condenser)	X	X	X	X	X	X	X	X	X	X	X	X	X	X	X	X	X	X	X	X	X
4	5152-004	Fan Blade												X	X								
4	5151-032	Fan Blade	X	X	X	X	X	X	X	X	X	X				X	X	X	X	X	X	X	X
5	8103-019	Condenser Motor	X	X	X	X	X	X	X					X	X	X	X	X	X	X	X	X	X
5	8103-014	Condenser Motor								X	X	X											
6	5051-053	Condenser Coil	X	X	X	X	X	X	X	X	X	X	X	X	X	X	X	X	X	X	X	X	X
7	5060-052	Evaporator Coil	X	X	X	X	X	X	X	X	X	X	X	X	X	X	X	X	X	X	X	X	X
8	8604-089	Heat Strip		X													X						
8	8604-091	Heat Strip			X									X				X					
8	8604-047	Heat Strip				X													X				
8	8604-048	Heat Strip						X	X						X							X	
8	8604-049	Heat Strip					X		X												X		
8	8604-072	Heat Strip									X	X										X	
8	8604-079	Heat Strip										X	X										
9	8402-031	Limit Control		X	X	X		X	X	X				X	X		X	X	X			X	X
9	8402-060	Limit Control									X	X											
10	8402-030	Thermal Cut-Off															X	2	3			2	2
10	8402-032	Thermal Cut-Off		X	2	3		2	2	4				2	2								
10	8402-059	Thermal Cut-Off										2	4										
11	800-0118	Cooling Capillary Assembly	X	X	X	X	X	X	X	X	X	X	X	X	X	X	X	X	X	X	X	X	X
12	7004-008	Air Filter	X	X	X	X	X	X	X	X	X	X	X	X	X	X	X	X	X	X	X	X	X
13	8552-028	Capacitor 35/440	X	X	X	X								X		X	X	X	X				
14	1171-019	1/4 Turn Fastener	X	X	X	X	X	X	X	X	X	X	X	X	X	X	X	X	X	X	X	X	X
15	1171-021	Fastener Retainer	X	X	X	X	X	X	X	X	X	X	X	X	X	X	X	X	X	X	X	X	X
16	1171-020	Fastener Receptacle	X	X	X	X	X	X	X	X	X	X	X	X	X	X	X	X	X	X	X	X	X
17	5202-016	Accumulator	X	X	X	X	X	X	X	X	X	X	X	X	X	X	X	X	X	X	X	X	X
18	8408-016	Defrost Thermostat	X	X	X	X	X	X	X	X	X	X	X	X	X	X	X	X	X	X	X	X	X
19	5651-036	Check Valve	X	X	X	X	X	X	X	X	X	X	X	X	X	X	X	X	X	X	X	X	X
20	800-0144	Heating Capillary Assembly	X	X	X	X	X	X	X	X	X	X	X	X	X	X	X	X	X	X	X	X	X
21	8406-010	High Pressure Switch	X	X	X	X	X	X	X	X	X	X	X	X	X	X	X	X	X	X	X	X	X
22	5650-013	Reversing Valve	X	X	X	X	X	X	X	X	X	X	X	X	X	X	X	X	X	X	X	X	X
23	5650-008	Solenoid Coil	X	X	X	X	X	X	X	X	X	X	X	X	X	X	X	X	X	X	X	X	X

Date: 7-11-89
Supersedes:

CONTROL PANEL WITHOUT CIRCUIT BREAKERS



Date: 6-15-90
 Supersedes: 7-11-89

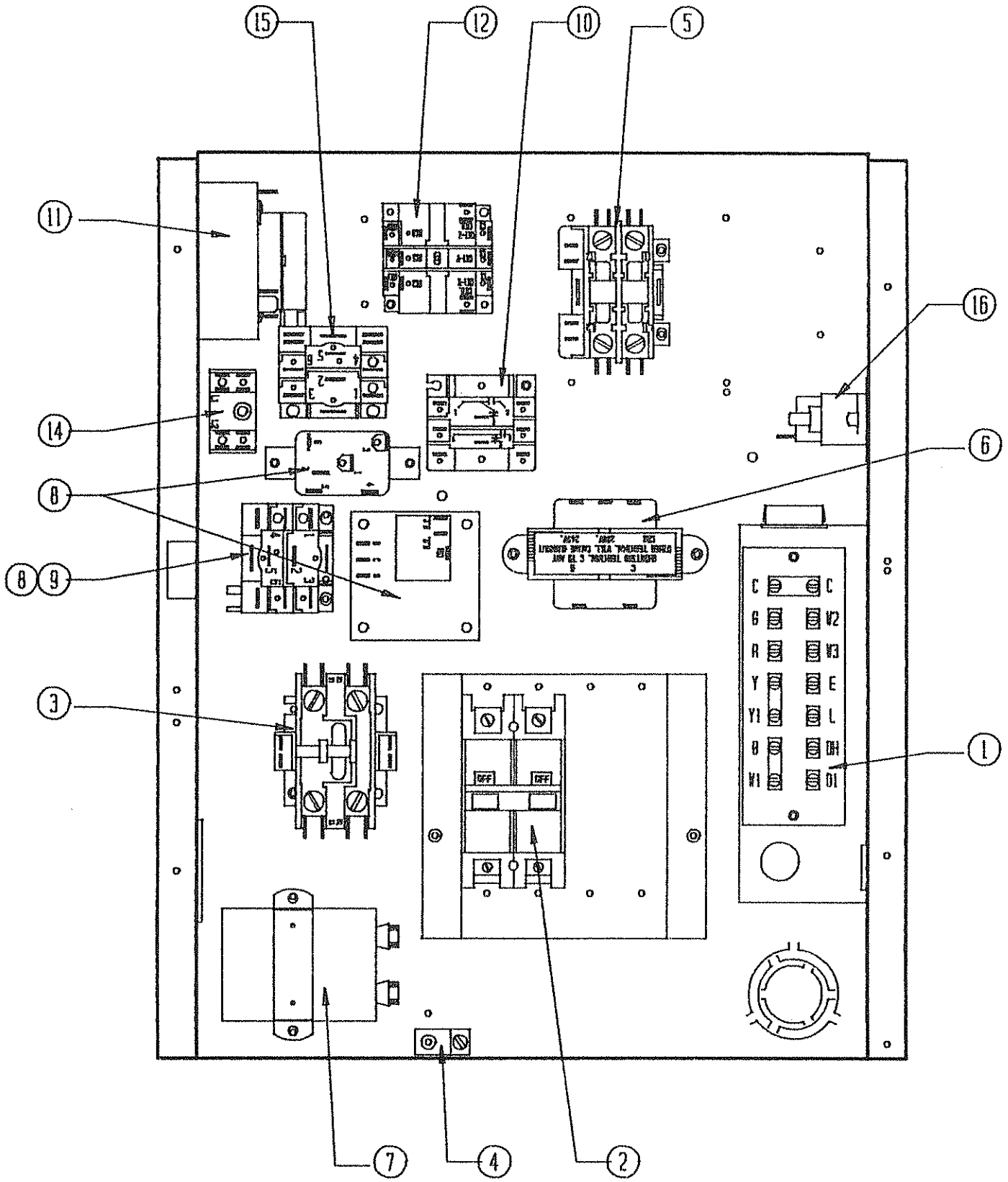
CONTROL PANEL
WITHOUT CIRCUIT BREAKERS

Dwg. No.	Part No.	Description	3 6 W H 7 A 0 0 N, T	3 6 W H 7 A 0 5 N, T	3 6 W H 7 A 0 1 N, T	3 6 W H 7 A 0 5 N, T	3 6 W H 7 B 0 0 N, T	3 6 W H 7 B 0 6 N, T	3 6 W H 7 B 0 9 N, T	3 6 W H 7 B 0 5 N, T	3 6 W H 7 C 0 0 N, N	3 6 W H 7 C 0 9 N, N	3 6 W H 7 C 1 5 N, N	3 6 W H 7 D 1 0 N	3 6 W H 7 E 0 9 N	
1	8607-019	Low Voltage Terminal Strip	X	X	X	X	X	X	X	X	X	X	X	X	X	X
2	8607-013	Terminal Block	X	X												
2	8607-014	Terminal Block					X	X	X	X	X	X	X			X
2	8614-017	Fuse Block			X										X	
2	8614-018	Fuse Block				X										
3	8401-007	Compressor Contactor	X	X	X	X									X	
3	8401-002	Compressor Contactor					X	X	X	X	X	X	X			X
4	8611-006	Ground Terminal	X	X	X	X	X	X	X	X	X	X	X	X	X	X
5	8401-006	Heat Contactor		X	X	2		X	X	2					X	X
5	8401-002	Heat Contactor										X	2			
6	8407-035	Transformer	X	X	X	X	X	X	X	X					X	X
6	8407-040	Transformer									X	X	X			
7	8552-002	Condenser Fan Capacitor 5/370	X	X	X	X	X	X	X	X	X	X	X	X	X	X
8	8201-032	Blower Relay									X	X	X			
8	8201-009	Blower Relay (See Note)	A	A	A	A	A	A	A	A					X	X
8	8201-056	Blower Control (See Note)	B	B	B	B	B	B	B	B						
9	8201-024	Compressor Fault Relay	X	X	X	X									X	
10	8201-013	Emergency Heat Relay				X				X				X		
11	8612-012	Defrost Timer	X	X	X	X	X	X	X	X	X	X	X	X	X	X
12	8201-047	Defrost Relay	X	X	X	X	X	X	X	X	X	X	X	X	X	X
13	134-006	Fusing Barrier			X	X									X	
13	8607-015	Phenolic Insulator									X	X	X			
14	8607-017	Motor Speed Terminal Block									X	X	X			
15	8201-032	Defrost Relay									X	X	X			
16	8201-045	Time Delay Relay									X	X	X			
	4013-110	Wiring Diagram	X													
	4013-120	Wiring Diagram		X												
	4013-130	Wiring Diagram			X											
	4013-140	Wiring Diagram				X										
	4013-210	Wiring Diagram					X									
	4013-220	Wiring Diagram						X	X							
	4013-230	Wiring Diagram								X						
	4013-310	Wiring Diagram									X					
	4013-320	Wiring Diagram										X				
	4013-230	Wiring Diagram											X			
	4013-430	Wiring Diagram												X		
	4013-520	Wiring Diagram													X	X
	132-003	Control Panel Cover	X	X			X	X	X	X	X	X	X	X	X	X
	133-036	Control Panel Cover			X	X									X	

NOTES: (A) Used on units produced before date code H90.
(B) Used on units produced with date code H90 and subsequent units.

Date: 6-15-90
Supersedes: 7-11-89

CONTROL PANEL WITH CIRCUIT BREAKER



Date: 6-15-90
 Supersedes: 7-11-89

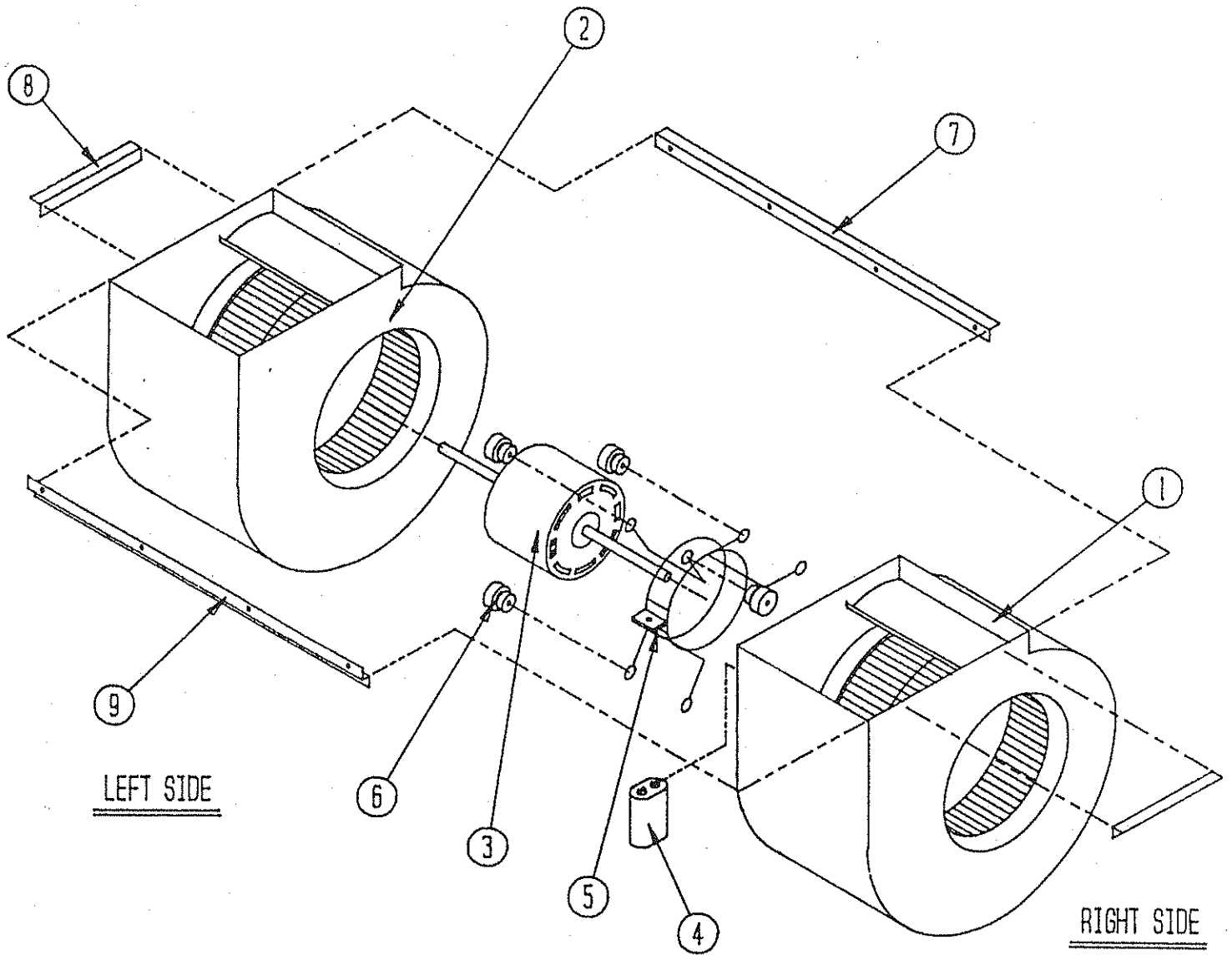
CONTROL PANEL
WITH CIRCUIT BREAKER

Dwg. No.	Part No.	Description	3	3	3	3	3	3	3	3	3	3
			6	6	6	6	6	6	6	6	6	6
			W	W	W	W	W	W	W	W	W	W
			H	H	H	H	H	H	H	H	H	H
			7	7	7	7	7	7	7	7	7	7
			A	A	A	A	B	B	B	C	C	C
			0	0	1	1	0	0	1	0	0	1
			0	5	0	5	0	9	5	0	9	5
			C	C	C	C	C	C	C	C	C	C
1	8607-019	Low Voltage Terminal Strip	X	X	X	X	X	X	X	X	X	X
2	8615-015	Circuit Breaker	X									
2	8615-016	Circuit Breaker		X	X	2						
2	8615-013	Circuit Breaker			X							
2	8615-020	Circuit Breaker					X					
2	8615-011	Circuit Breaker						X	X			
2	8615-029	Circuit Breaker								X		
2	8615-032	Circuit Breaker									X	X
3	8401-007	Compressor Contactor	X	X	X	X						
3	8401-002	Compressor Contactor					X	X	X	X	X	X
4	8611-006	Ground Terminal	X	X	2	2	X	X	X	X	X	X
5	8401-006	Heat Contactor		X	X	2		X	2			
5	8401-002	Heat Contactor									X	2
6	8407-035	Transformer	X	X	X	X	X	X	X			
6	8407-040	Transformer								X	X	X
7	8552-002	Condenser Fan Capacitor	X	X	X	X	X	X	X	X	X	X
8	8201-032	Blower Relay								X	X	X
8	8201-009	Blower Relay (See Note)	A	A	A	A	A	A	A			
8	8201-056	Blower Control (See Note)	B	B	B	B	B	B	B			
9	8201-024	Compressor Fault Relay	X	X	X	X						
10	8201-013	Emergency Heat Relay				X			X			X
11	8612-012	Defrost Timer	X	X	X	X	X	X	X	X	X	X
12	8201-047	Defrost Relay	X	X	X	X	X	X	X	X	X	X
14	8607-017	Motor Speed Terminal Block								X	X	X
15	8201-032	Blower Relay								X	X	X
16	8201-045	Time Delay Relay								X	X	X
	4013-111	Wiring Diagram	X									
	4013-121	Wiring Diagram		X								
	4013-131	Wiring Diagram			X							
	4013-141	Wiring Diagram				X						
	4013-211	Wiring Diagram					X					
	4013-221	Wiring Diagram						X				
	4013-231	Wiring Diagram							X			
	4013-311	Wiring Diagram								X		
	4013-321	Wiring Diagram									X	
	4013-331	Wiring Diagram										X
	132-050	Control Panel Cover								X	X	X
	132-098	Control Panel Cover	X	X	X	X	X	X	X			

NOTES: (A) Used on units produced before date code H90.
(B) Used on units produced with date code H90 and subsequent units.

Date: 6-15-90
Supersedes: 1-25-90

BLOWER ASSEMBLY



Date: 7-11-89
Supersedes:

BLOWER ASSEMBLY

Dwg. No.	Part No.	Description	9 0 0 0 3 9	9 0 0 0 7 0
1	5152-051	Housing, Wheel and Cutoff (CW)	x	x
2	5152-052	Housing, Wheel and Cutoff	x	x
3	8105-029	Blower Motor (230/208)	x	
3	8105-033	Blower Motor (460)		x
4	8552-002	Capacitor	x	x
5	8200-031	Motor Mount	x	x
6	5451-011	Grommets	6	6
7	104-505	Back Brace	x	x
8	104-001	Side Angle	2	2
9	102-300	Front Brace	x	x

Date: 7-11-89
Supersedes: