

# REPLACEMENT PARTS MANUAL

## WALL MOUNTED PACKAGE HEAT PUMP MODEL 36WH7

Manual 2110-504

Revision --

Date 7-11-89

Supersedes

\*\*\*\*\*  
\* GENERAL NOTES \*  
\*\*\*\*\*

\*Revised and/or additional pages may be issued from time to time.  
\*A complete and current manual consists of pages dated as shown in the following index.

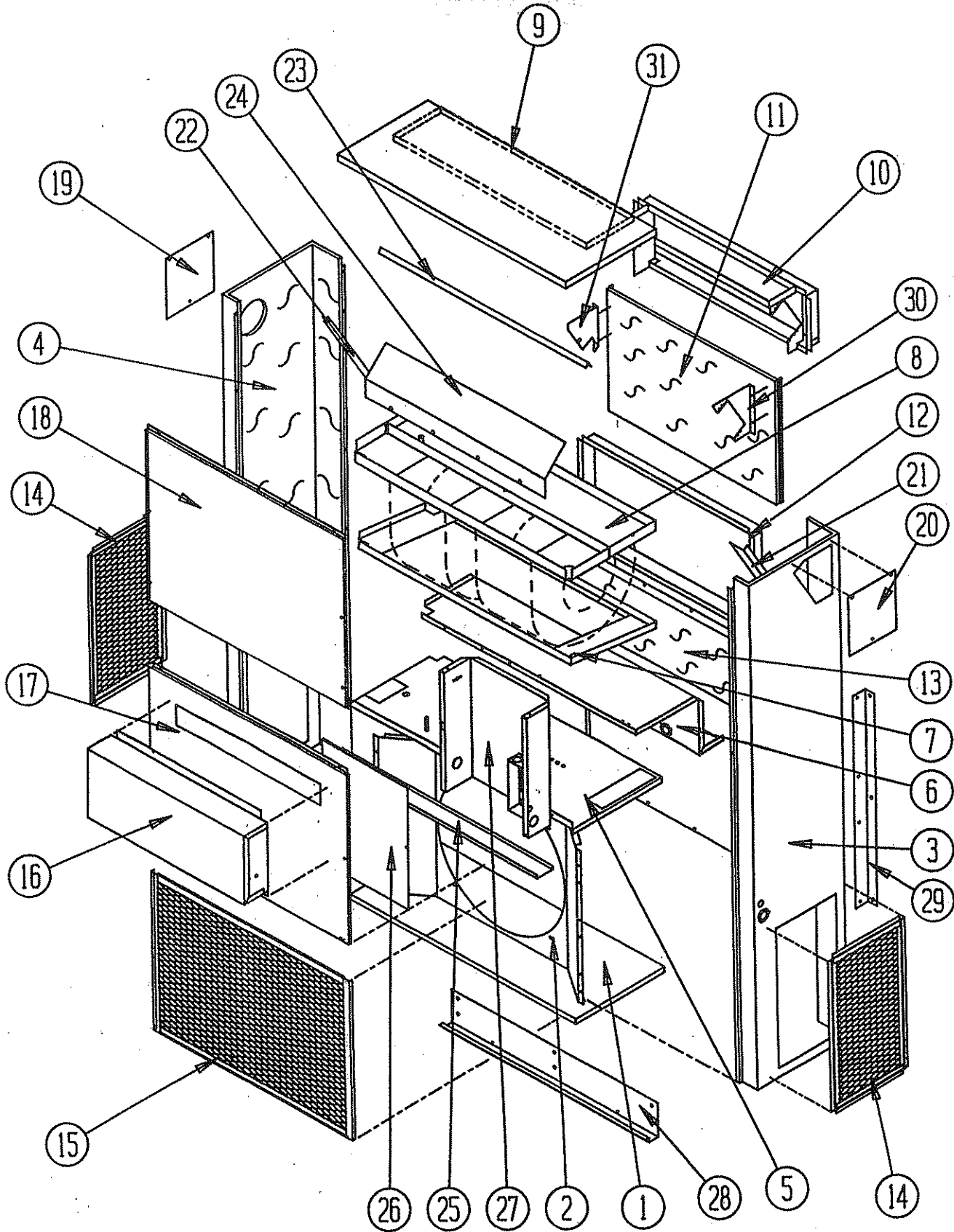
\*\*\*\*\*  
\*\* INDEX \*\*  
\*\*\*\*\*

<u>Page Description</u>	<u>Page</u>	<u>Date</u>	<u>Supersedes</u>
Cabinet Components--Exploded View	1	7-11-89	
" " --Usage List	2	7-11-89	
Functional Components--Exploded View	3	7-11-89	
" " --Usage List	4	7-11-89	
Control Panel W/O Circuit Breaker--Layout	5	7-11-89	
" " --Usage List	6	7-11-89	
Control Panel W/Circuit Breaker--Layout	7	7-11-89	
" " --Usage List	8	7-11-89	
Blower Assembly--Exploded View	9	7-11-89	
" " --Usage List	10	7-11-89	

\*\*\*\*\*  
\*\*\* IMPORTANT \*\*\*  
\*\*\*\*\*

Contact the installing and/or local Bard distributor for all parts requirements. Make sure you have the complete model and serial number available from the unit rating plate.

CABINET COMPONENTS



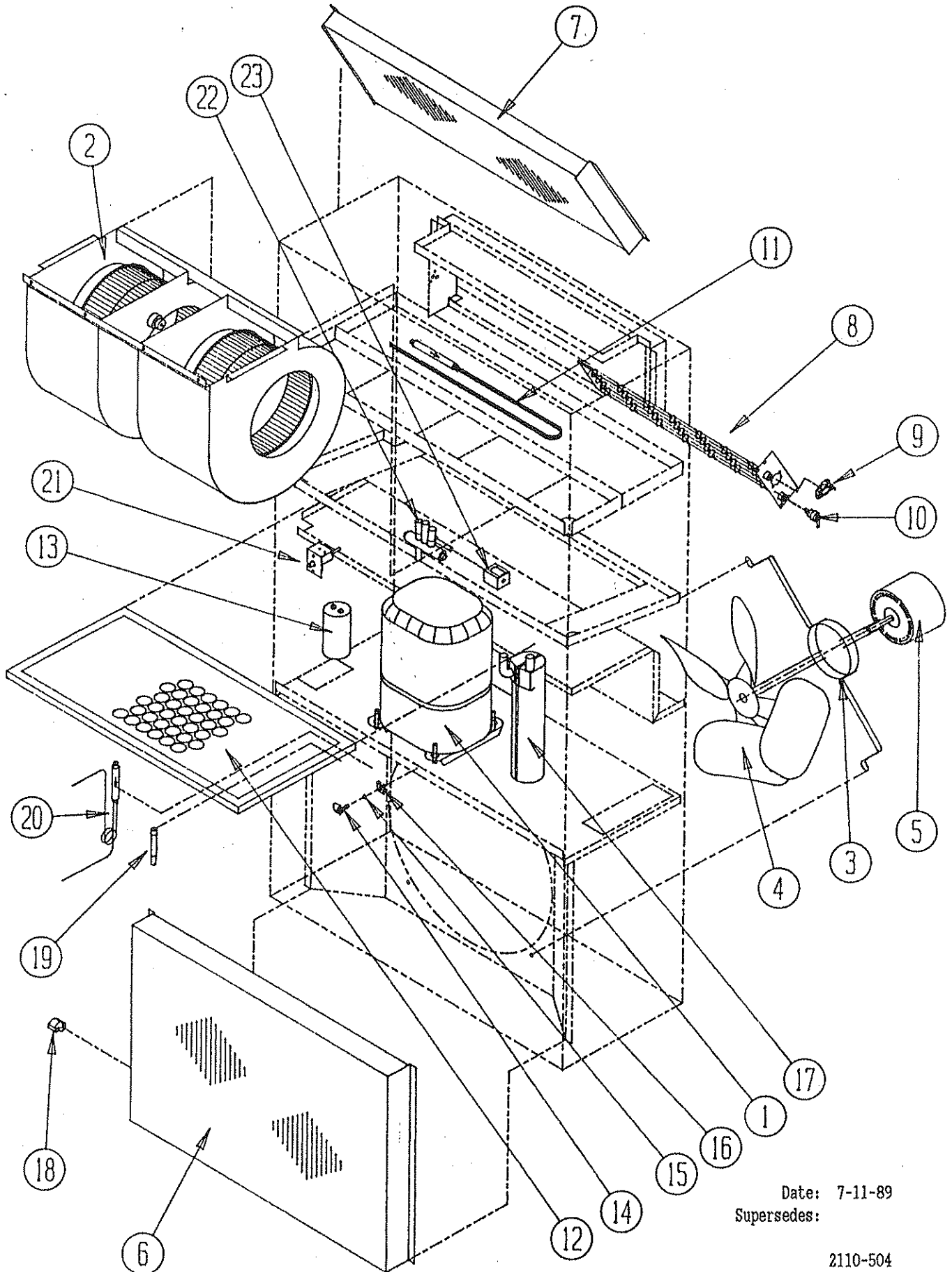
Date: 7-11-89  
Supersedes:

CABINET COMPONENTS

Dwg. No.	Part No.	Description	S T A N D A R D	T O P O U T L E T
1	126-003	Lower Base	X	X
2	124-002	Fan Shroud	X	X
3	501-164	Right Side	X	X
4	501-165	Left Side	X	X
5	127-098	Compressor Base	X	X
6	520-097	Compressor Partition	X	X
7	131-002	Filter Tray	X	X
8	521-004	Blower Addition/Drain Pan Assembly	X	X
9	506-095	Top	X	
9	507-003	Top		X
10	111-017	Outlet Airframe Assembly	X	
11	508-056	Upper Back	X	
11	508-058	Extended Upper Back		X
12	111-018	Inlet Air Frame Assembly	X	X
13	508-057	Lower Back	X	X
14	119-004	Side Grille	2	2
15	119-003	Condenser Grille	X	X
16	FAD25	Fresh Air Damper Assembly	X	X
17	552-107	Service Door	X	X
18	514-046	Upper Front	X	X
19	542Y004	Left Side Cover Plate	X	X
20	542X004	Right Side Cover Plate	X	X
21	141-006	Right Evaporator Support	X	X
22	141-007	Left Evaporator Support	X	X
23	136-093	Evaporator Fill Plate	X	X
24	134-008	Air Baffle	X	X
25	136-002	Condenser Coil Spacer	X	X
26	Cntrl.Cvr.	See Control Panel Assembly Drawing and Parts List	X	X
27	Cntrl.Pnl. Assembly	See Control Panel Assembly Drawing and Parts List	X	X
28	112-006	Bottom Mounting Bracket	X	X
29	112-002	Side Mounting Bracket	2	2
30	112-007	Right Heat Strip Bracket		X
31	112-008	Left Heat Strip Bracket		X

Date: 7-11-89  
Supersedes:

FUNCTIONAL COMPONENTS



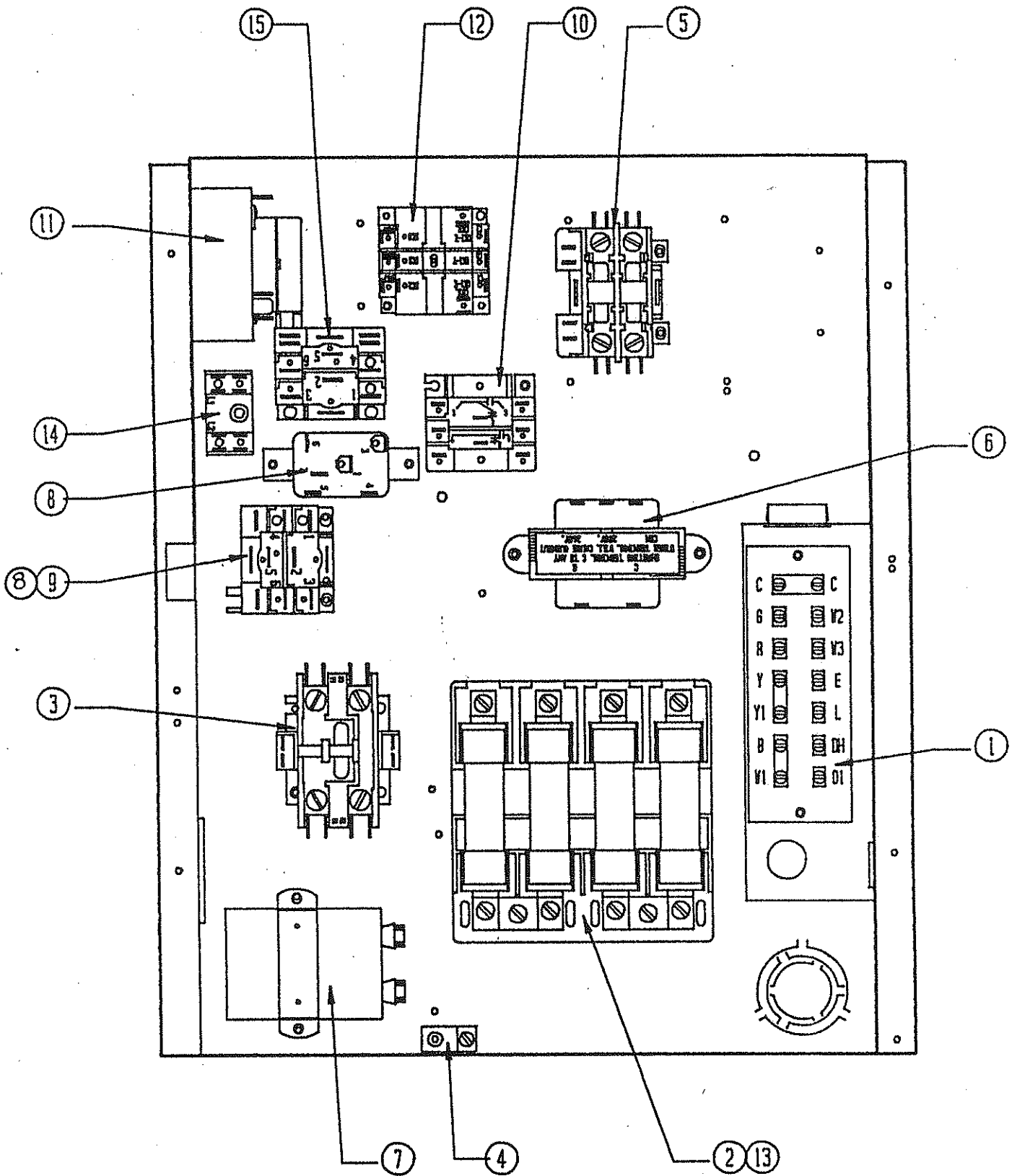
Date: 7-11-89  
Supersedes:

FUNCTIONAL COMPONENTS

Dwg. No.	Part No.	Description	3 6 W H 7   A 0 0 N, C	3 6 W H 7   A 0 5 N, C	3 6 W H 7   A 1 0 N, C	3 6 W H 7   A 1 5 N, C	3 6 W H 7   B 0 0 N, C	3 6 W H 7   B 0 6 N, C	3 6 W H 7   B 0 9 N, C	3 6 W H 7   B 1 5 N, C	3 6 W H 7   C 0 0 N, C	3 6 W H 7   C 0 9 N, C	3 6 W H 7   C 1 5 N, C	3 6 W H 7   D 1 0 N	3 6 W H 7   E 0 9 N	3 6 W H 7   A 0 0 T	3 6 W H 7   A 0 5 T	3 6 W H 7   A 1 0 T	3 6 W H 7   A 1 5 T	3 6 W H 7   B 0 0 T	3 6 W H 7   B 0 6 T	3 6 W H 7   B 0 9 T	
1	8000-039	Compressor												X									
1	8000-058	Compressor CRJ3-0300-PEV	X	X	X	X										X	X	X	X				
1	8000-059	Compressor CRJ3-0300-TF5					X	X	X	X						X					X	X	X
1	8000-060	Compressor CRJ3-0300-TFD									X	X	X										
2	900-039	Blower Assembly (Complete)	X	X	X	X	X	X	X					X	X	X	X	X	X	X	X	X	X
2	900-070	Blower Assembly (Complete)									X	X	X										
3	8200-001	Motor Mount (Condenser)	X	X	X	X	X	X	X	X	X	X	X	X	X	X	X	X	X	X	X	X	X
4	5152-004	Fan Blade												X	X								
4	5151-032	Fan Blade	X	X	X	X	X	X	X	X	X	X	X			X	X	X	X	X	X	X	X
5	8103-019	Condenser Motor	X	X	X	X	X	X	X					X	X	X	X	X	X	X	X	X	X
5	8103-014	Condenser Motor									X	X	X										
6	5051-053	Condenser Coil	X	X	X	X	X	X	X	X	X	X	X	X	X	X	X	X	X	X	X	X	X
7	5060-052	Evaporator Coil	X	X	X	X	X	X	X	X	X	X	X	X	X	X	X	X	X	X	X	X	X
8	8604-089	Heat Strip		X													X						
8	8604-091	Heat Strip			X									X				X					
8	8604-047	Heat Strip				X													X				
8	8604-048	Heat Strip						X	X						X							X	
8	8604-049	Heat Strip					X		X												X		
8	8604-072	Heat Strip									X	X											
8	8604-079	Heat Strip									X	X											
9	8402-031	Limit Control		X	X	X		X	X	X				X	X		X	X	X			X	X
9	8402-060	Limit Control									X	X											
10	8402-030	Thermal Cut-Off															X	2	3			2	2
10	8402-032	Thermal Cut-Off		X	2	3		2	2	4				2	2								
10	8402-059	Thermal Cut-Off											2	4									
11	800-0118	Cooling Capillary Assembly	X	X	X	X	X	X	X	X	X	X	X	X	X	X	X	X	X	X	X	X	X
12	7004-008	Air Filter	X	X	X	X	X	X	X	X	X	X	X	X	X	X	X	X	X	X	X	X	X
13	8552-028	Capacitor 35/440	X	X	X	X								X		X	X	X	X				
14	1171-019	1/4 Turn Fastener	X	X	X	X	X	X	X	X	X	X	X	X	X	X	X	X	X	X	X	X	X
15	1171-021	Fastener Retainer	X	X	X	X	X	X	X	X	X	X	X	X	X	X	X	X	X	X	X	X	X
16	1171-020	Fastener Receptacle	X	X	X	X	X	X	X	X	X	X	X	X	X	X	X	X	X	X	X	X	X
17	5202-016	Accumulator	X	X	X	X	X	X	X	X	X	X	X	X	X	X	X	X	X	X	X	X	X
18	8408-016	Defrost Thermostat	X	X	X	X	X	X	X	X	X	X	X	X	X	X	X	X	X	X	X	X	X
19	5651-036	Check Valve	X	X	X	X	X	X	X	X	X	X	X	X	X	X	X	X	X	X	X	X	X
20	800-0144	Heating Capillary Assembly	X	X	X	X	X	X	X	X	X	X	X	X	X	X	X	X	X	X	X	X	X
21	8406-010	High Pressure Switch	X	X	X	X	X	X	X	X	X	X	X	X	X	X	X	X	X	X	X	X	X
22	5650-013	Reversing Valve	X	X	X	X	X	X	X	X	X	X	X	X	X	X	X	X	X	X	X	X	X
23	5650-008	Solenoid Coil	X	X	X	X	X	X	X	X	X	X	X	X	X	X	X	X	X	X	X	X	X

Date: 7-11-89  
Supersedes:

CONTROL PANEL WITHOUT CIRCUIT BREAKERS



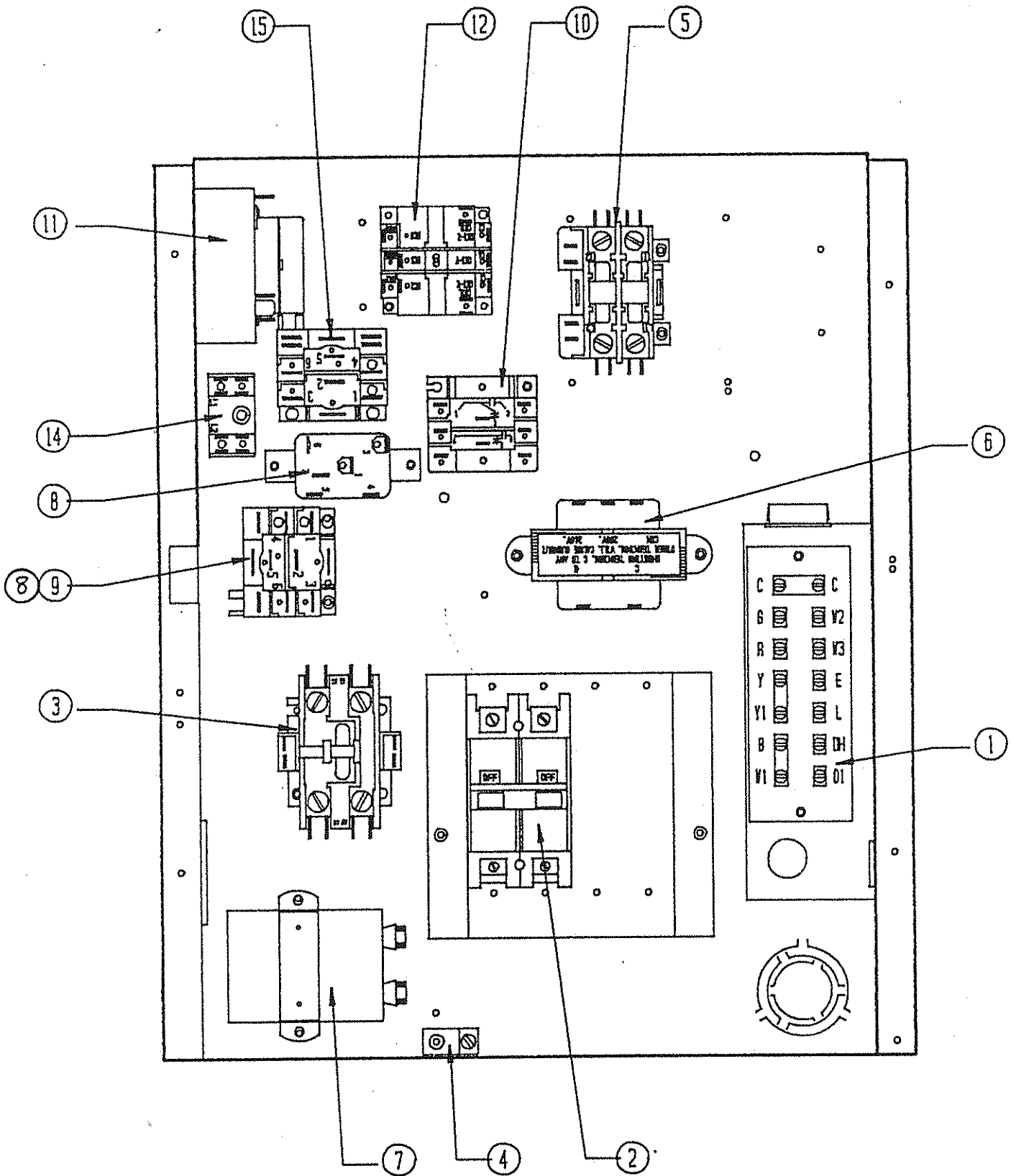
Date: 7-11-89  
Supersedes:

CONTROL PANEL  
WITHOUT CIRCUIT BREAKERS

Dwg. No.	Part No.	Description	3	3	3	3	3	3	3	3	3	3	3	3	3	3
			6	6	6	6	6	6	6	6	6	6	6	6	6	6
			W	W	W	W	W	W	W	W	W	W	W	W	W	W
			H	H	H	H	H	H	H	H	H	H	H	H	H	H
			7	7	7	7	7	7	7	7	7	7	7	7	7	7
			A	A	A	A	B	B	B	B	C	C	C	D	E	
			0	0	1	1	0	0	0	1	0	0	1	1	0	0
			0	5	0	5	0	6	9	5	0	9	5	0	9	9
			N,	N,	N,	N,	N,	N,	N,	N,	N,	N,	N,	N	N	N
			T	T	T	T	T	T	T	T	T	T	T	T	T	T
1	8607-019	Low Voltage Terminal Strip	X	X	X	X	X	X	X	X	X	X	X	X	X	X
2	8607-013	Terminal Block	X	X												
2	8607-014	Terminal Block						X	X	X	X	X	X			X
2	8614-017	Fuse Block			X										X	
2	8614-018	Fuse Block				X										
3	8401-007	Compressor Contactor	X	X	X	X									X	
3	8401-002	Compressor Contactor					X	X	X	X	X	X	X			X
4	8611-006	Ground Terminal	X	X	X	X	X	X	X	X	X	X	X	X	X	X
5	8401-006	Heat Contactor		X	X	2		X	X	2					X	X
5	8401-002	Heat Contactor										X	2			
6	8407-035	Transformer	X	X	X	X	X	X	X	X					X	X
6	8407-040	Transformer									X	X	X			
7	8552-002	Condenser Fan Capacitor 5/370	X	X	X	X	X	X	X	X	X	X	X	X	X	X
8	8201-009	Blower Relay	X	X	X	X	X	X	X	X					X	X
8	8201-032	Blower Relay									X	X	X			
9	8201-024	Compressor Fault Relay	X	X	X	X									X	
10	8201-013	Emergency Heat Relay				X				X				X		
11	8612-012	Defrost Timer	X	X	X	X	X	X	X	X	X	X	X	X	X	X
12	8201-047	Defrost Relay	X	X	X	X	X	X	X	X	X	X	X	X	X	X
12	8201-032	Defrost Relay									X	X	X			
13	134-006	Fusing Barrier			X	X									X	
13	8607-015	Phenolic Insulator									X	X	X			
14	8607-017	Motor Speed Terminal Block									X	X	X			
	4013-110	Wiring Diagram	X													
	4013-120	Wiring Diagram		X												
	4013-130	Wiring Diagram			X											
	4013-140	Wiring Diagram				X										
	4013-210	Wiring Diagram					X									
	4013-220	Wiring Diagram						X	X							
	4013-230	Wiring Diagram								X						
	4013-310	Wiring Diagram									X					
	4013-320	Wiring Diagram										X				
	4013-230	Wiring Diagram											X			
	4013-430	Wiring Diagram													X	
	4013-520	Wiring Diagram														X
	132-003	Control Panel Cover	X	X			X	X	X	X	X	X	X	X	X	X
	133-036	Control Panel Cover			X	X									X	

Date: 7-11-89  
Supersedes:

CONTROL PANEL WITH CIRCUIT BREAKER



Date: 7-11-89  
Supersedes:

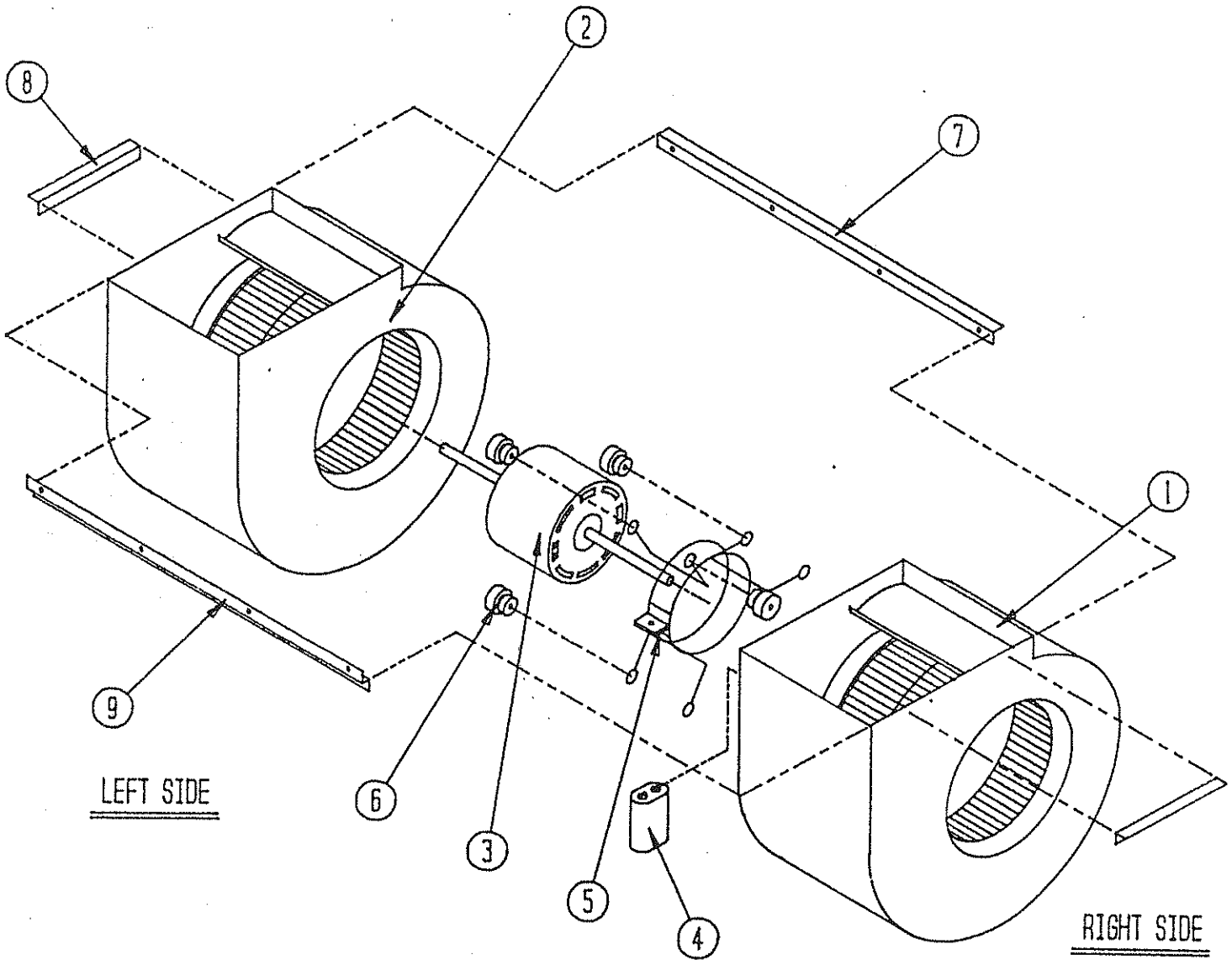


CONTROL PANEL  
WITH CIRCUIT BREAKER

Dwg. No.	Part No.	Description	3	3	3	3	3	3	3	3	3	3
			6	6	6	6	6	6	6	6	6	6
			W	W	W	W	W	W	W	W	W	W
			H	H	H	H	H	H	H	H	H	H
			7	7	7	7	7	7	7	7	7	7
			A	A	A	A	B	B	B	C	C	C
			0	0	1	1	0	0	1	0	0	1
			0	5	0	5	0	9	5	0	9	5
			C	C	C	C	C	C	C	C	C	C
1	8607-019	Low Voltage Terminal Strip	X	X	X	X	X	X	X	X	X	X
2	8615-015	Circuit Breaker	X									
2	8615-016	Circuit Breaker		X	X	2						
2	8615-013	Circuit Breaker			X							
2	8615-020	Circuit Breaker					X					
2	8615-011	Circuit Breaker						X	X			
2	8615-029	Circuit Breaker								X		
2	8615-032	Circuit Breaker									X	X
3	8401-007	Compressor Contactor	X	X	X	X						
3	8401-002	Compressor Contactor					X	X	X	X	X	X
4	8611-006	Ground Terminal	X	X	2	2	X	X	X	X	X	X
5	8401-006	Heat Contactor		X	X	2		X	2			
5	8401-002	Heat Contactor									X	2
6	8407-035	Transformer	X	X	X	X	X	X	X			
6	8407-040	Transformer								X	X	X
7	8552-002	Condenser Fan Capacitor	X	X	X	X	X	X	X	X	X	X
8	8201-009	Blower Relay	X	X	X	X	X	X	X			
8	8201-032	Blower Relay								X	X	X
9	8201-024	Compressor Fault Relay	X	X	X	X						
10	8201-013	Emergency Heat Relay				X			X			X
11	8612-012	Defrost Timer	X	X	X	X	X	X	X	X	X	X
12	8201-047	Defrost Relay	X	X	X	X	X	X	X	X	X	X
12	8201-032	Defrost Relay								X	X	X
14	8607-017	Motor Speed Terminal Block								X	X	X
	4013-111	Wiring Diagram	X									
	4013-121	Wiring Diagram		X								
	4013-131	Wiring Diagram			X							
	4013-141	Wiring Diagram				X						
	4013-211	Wiring Diagram					X					
	4013-221	Wiring Diagram						X				
	4013-231	Wiring Diagram							X			
	4013-311	Wiring Diagram								X		
	4013-321	Wiring Diagram									X	
	4013-331	Wiring Diagram										X
	132-050	Control Panel Cover								X	X	X
	132-098	Control Panel Cover	X	X	X	X	X	X	X			

Date: 7-11-89  
Supersedes:

BLOWER ASSEMBLY



Date: 7-11-89  
Supersedes:

BLOWER ASSEMBLY

Dwg. No.	Part No.	Description	9 0 0   0 3 9	9 0 0   0 7 0
1	5152-051	Housing, Wheel and Cutoff (CW)	X	X
2	5152-052	Housing, Wheel and Cutoff	X	X
3	8105-029	Blower Motor (230/208)	X	
3	8105-033	Blower Motor (460)		X
4	8552-002	Capacitor	X	X
5	8200-031	Motor Mount	X	X
6	5451-011	Grommets	6	6
7	104-505	Back Brace	X	X
8	104-001	Side Angle	2	2
9	102-300	Front Brace	X	X

Date: 7-11-89  
Supersedes: