

REPLACEMENT PARTS MANUAL

WALL MOUNTED PACKAGE HEAT PUMP MODELS 45WH1

Manual 2110-505

Revision A

Date 1-25-90

Supersedes 7-11-89

* GENERAL NOTES *

*Revised and/or additional pages may be issued from time to time.
*A complete and current manual consists of pages dated as shown in the following index.

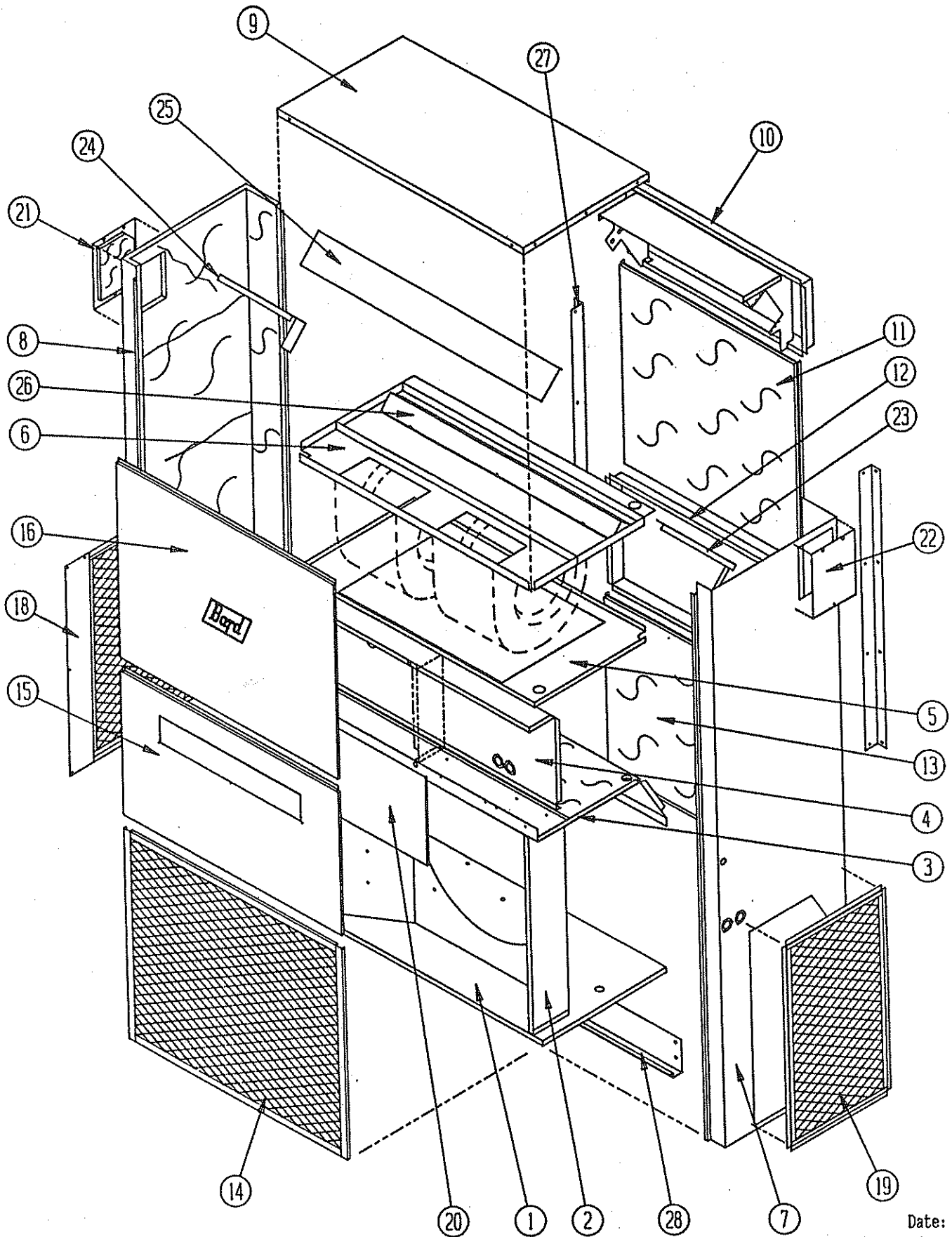
** INDEX **

<u>Page Description</u>	<u>Page</u>	<u>Date</u>	<u>Supersedes</u>
Cabinet Components--Exploded View	1	7-11-89	
" " --Usage List	2	1-25-90	7-11-89
Functional Components--Exploded View	3	7-11-89	
" " --Usage List	4	7-11-89	
Control Panel W/O Circuit Breaker--Layout	5	7-11-89	
" " " " --Usage List	6	1-25-90	7-11-89
Control Panel W/Circuit Breaker--Layout	7	7-11-89	
" " " " --Usage List	8	1-25-90	7-11-89
Blower Assembly--Exploded View	9	7-11-89	
" " --Usage List	10	7-11-89	

*** IMPORTANT ***

Contact the installing and/or local Bard distributor for all parts requirements. Make sure you have the complete model and serial number available from the unit rating plate.

CABINET COMPONENTS



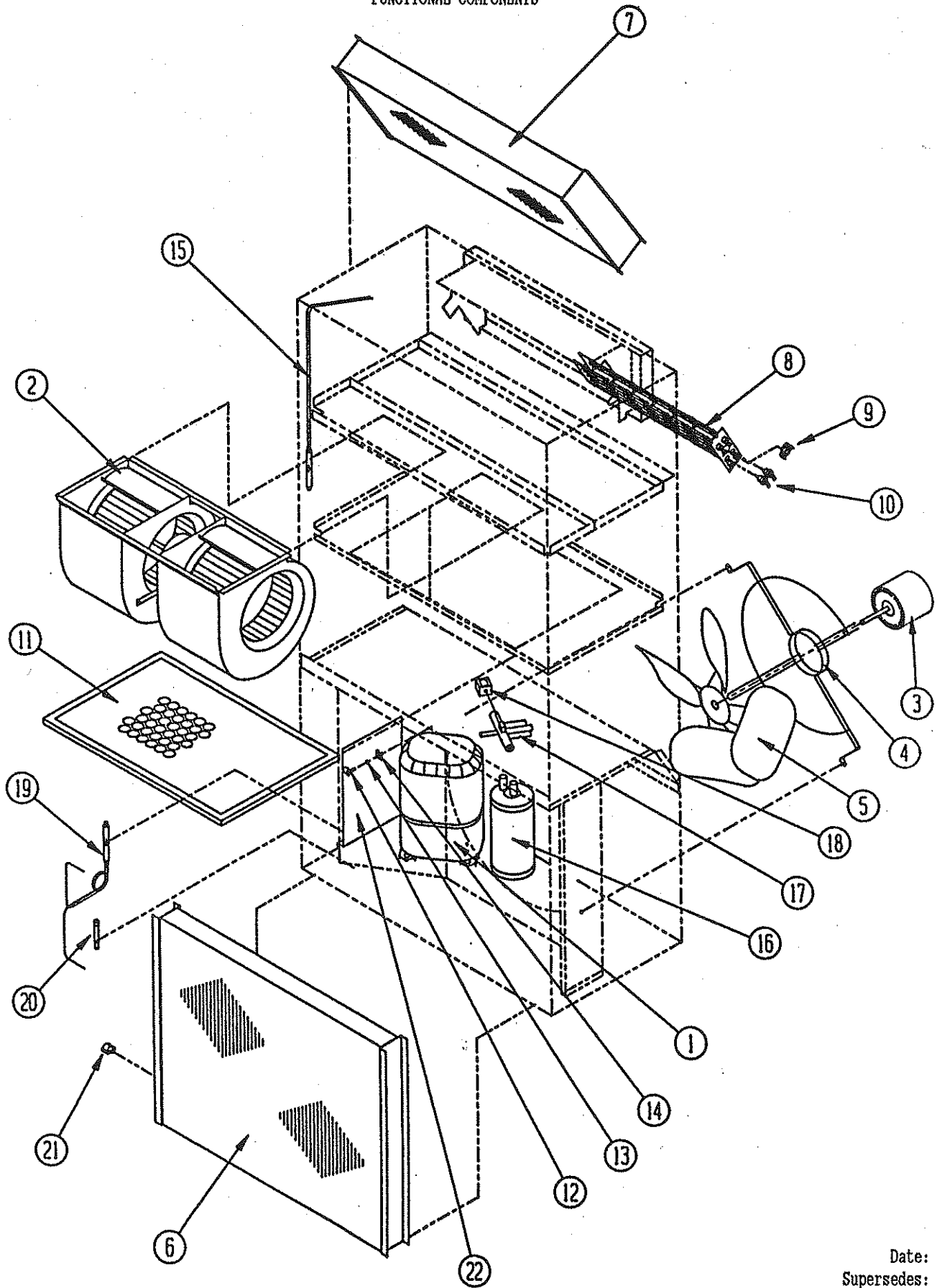
Date: 7-11-89
Supersedes:

CABINET COMPONENTS

Item	Part No.	Description	U S A G E
1	127-005	Lower Base	X
2	124-003	Fan Shroud	X
3	520-133	Condenser Partition	X
4	Control Pnl.Assy.	See Control Panel Assembly Drawing and Parts List	X
5	131-004	Filter Tray	X
6	521-006	Water Pan/Blower Partition	X
7	501-168	Right Side	X
8	501-169	Left Side	X
9	506-097	Top	X
10	111-019	Outlet Airframe Assembly	X
11	508-059	Upper Back	X
12	111-020	Inlet Air Frame Assembly	X
13	508-060	Lower Back	X
14	119-005	Coil Grille	X
15	552-108	Service Door	X
16	514-047	Upper Front	X
17	962002	Fresh Air Damper	X
18	119-006	Left Side Grille	X
19	119-008	Right Side Grille	X
20	Control Cover	See Control Panel Assembly Drawing and Parts List	X
21	542Y005	Left Side Cover Plate	X
22	542X005	Right Side Cover Plate	X
23	140-010	Support--Right Coil	X
24	140-011	Support--Left Coil	X
25	134-011	Top Evaporator Fill	X
26	136-003	Bottom Evaporator Fill	X
27	112-009	Side Mounting Bracket	X
28	112-006	Bottom Mounting Bracker	X

Date: 1-25-90
Supersedes: 7-11-89

FUNCTIONAL COMPONENTS



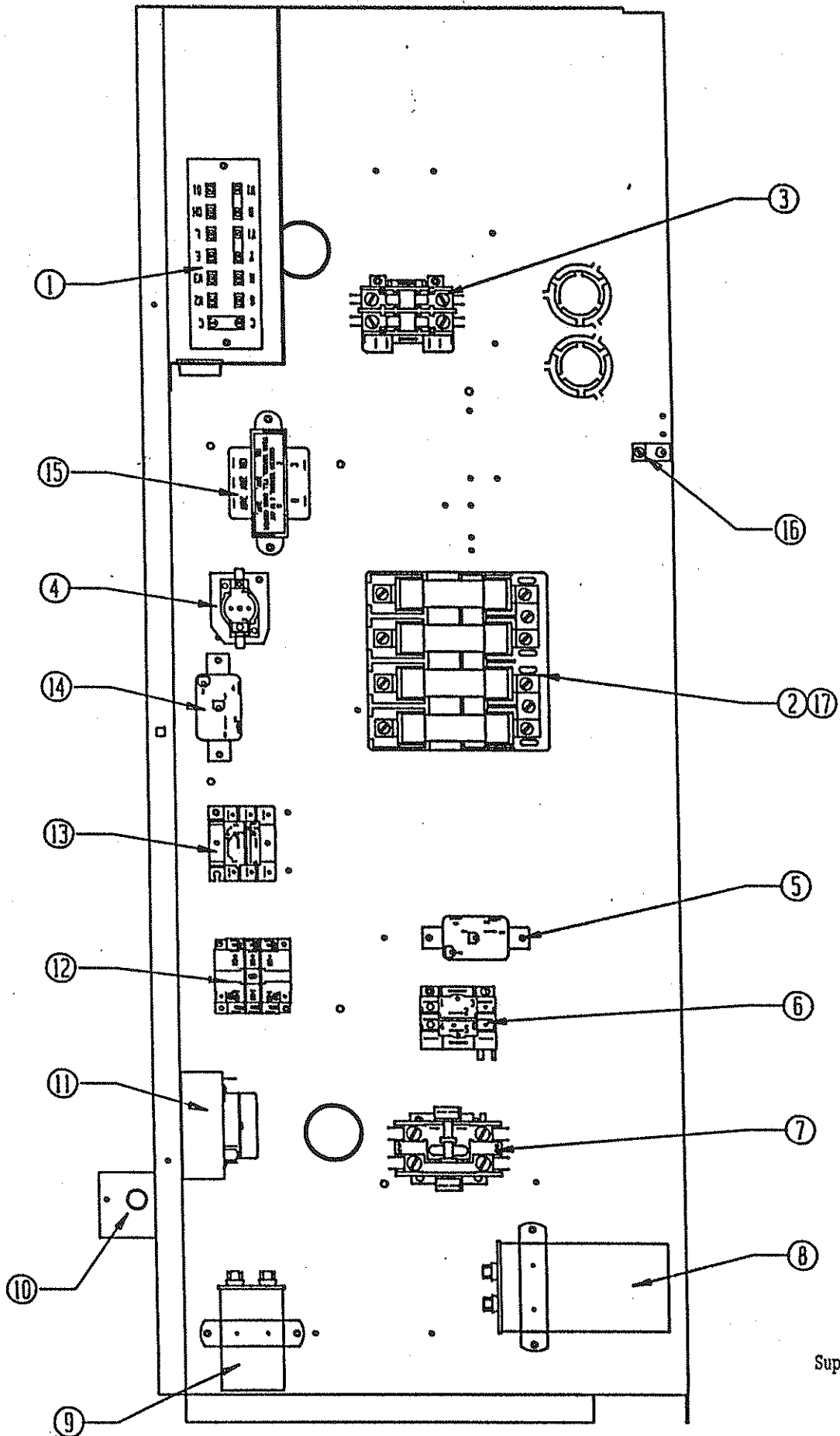
Date: 7-11-89
Supersedes:

FUNCTIONAL COMPONENTS

Dwg. No.	Part No.	Description	4 5 W H 1 A O O N, C	4 5 W H 1 A O O N, C	4 5 W H 1 A O 5 N, C	4 5 W H 1 B O O N, C	4 5 W H 1 B O 9 N, C	4 5 W H 1 B 1 5 N, C
1	8000-104	Compressor AV5542H	x	x	x			
1	8000-088	Compressor AV5542E				x	x	x
2	900-121	Blower Assembly (Complete)	x	x	x	x	x	x
3	8105-035	Condenser Motor	x	x	x	x	x	x
4	8200-004	Motor Mount--Condenser	x	x	x	x	x	x
5	5151-027	Fan Blade	x	x	x	x	x	x
6	5051-029	Condenser Coil	x	x	x	x	x	x
7	5060-025	Evaporator Coil	x	x	x	x	x	x
8	8604-091	Heat Strip		x				
8	8604-047	Heat Strip			x			
8	8604-048	Heat Strip					x	x
8	8604-049	Heat Strip						x
9	8402-047	Limit Control		x	x		x	x
10	8402-032	Thermal Cutoff 4K9239H		2	3		2	4
11	7004-016	Air Filter 20 x 30 x 1	x	x	x	x	x	x
12	1171-019	1/4 Turn Fastener	x	x	x	x	x	x
13	1171-021	Retainer Washer	x	x	x	x	x	x
14	1171-020	Receptacle	x	x	x	x	x	x
15	800-0131	Cooling Capillary Assembly	x	x	x	x	x	x
16	5202-011	Accumulator	x	x	x	x	x	x
17	5650-006	Reversing Valve	x	x	x	x	x	x
18	5650-008	Reversing Valve Solenoid Coil	x	x	x	x	x	x
19	800-0132	Heating Capillary Assembly	x	x	x	x	x	x
20	5651-036	Check Valve	x	x	x	x	x	x
21	8408-016	Defrost Thermostat	x	x	x	x	x	x

Date: 7-11-89
Supersedes:

CONTROL PANEL WITHOUT CIRCUIT BREAKERS



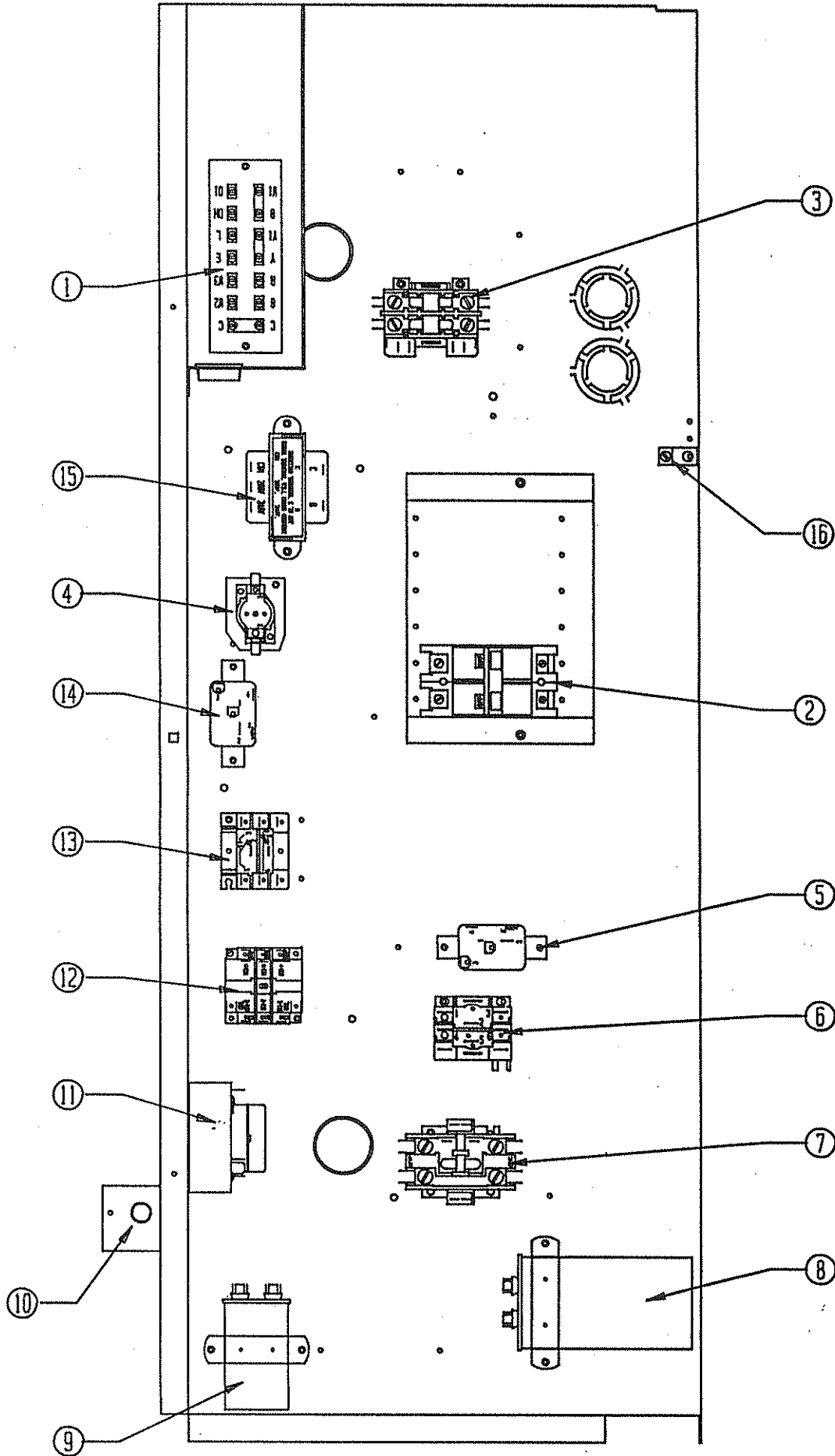
Date: 7-11-89
Supersedes:

CONTROL PANEL
WITHOUT CIRCUIT BREAKERS

Dwg. No.	Part No.	Description	4	4	4	4	4	4
			5	5	5	5	5	5
			W	W	W	W	W	W
			H	H	H	H	H	H
			1	1	1	1	1	1
			A	A	A	B	B	B
			0	1	1	0	0	1
			0	0	5	0	9	5
			N	N	N	N	N	N
1	8607-019	Low Voltage Terminal Strip	X	X	X	X	X	X
2	8607-013	Terminal Block	X					
2	8614-018	Fuse Block		X				
2	8614-020	Fuse Block						X
2	8614-014	Fuse Block			X			
2	8607-014	Terminal Block				X		
2	8614-021	Fuse Block					X	
3	8401-006	Heat Contactor		X	2		X	
3	8401-002	Heat Contactor						2
5	8201-008	Heating Blower Relay		X	X		X	X
6	8201-024	Compressor Fault Relay	X	X	X			
7	8401-003	Compressor Contactor	X	X	X			
7	8401-002	Compressor Contactor				X	X	X
8	8552-031	Compressor Capacitor 45/440	X	X	X			
9	8552-005	Condenser Motor Capacitor 10/370	X	X	X	X	X	X
10	8406-010	High Pressure Switch	X	X	X	X	X	X
11	8612-012	Timer	X	X	X	X	X	X
12	8201-047	Defrost Relay	X	X	X	X	X	X
13	8201-013	Emergency Heat Relay			X			X
14	8201-008	Blower Relay	X	X	X	X	X	X
15	8407-035	Transformer	X	X	X	X	X	X
16	8611-006	Ground Terminal	X	X	2	X	X	X
	4086-110	Wiring Diagram	X					
	4086-130	Wiring Diagram		X				
	4086-140	Wiring Diagram			X			
	4086-210	Wiring Diagram				X		
	4086-220	Wiring Diagram					X	
	4086-230	Wiring Diagram						X
	132-080	Control Panel Cover	X			X		
	133-053	Control Panel Cover		X	X		X	X

Date: 1-25-90
Supersedes: 7-11-89

CONTROL PANEL WITH CIRCUIT BREAKERS



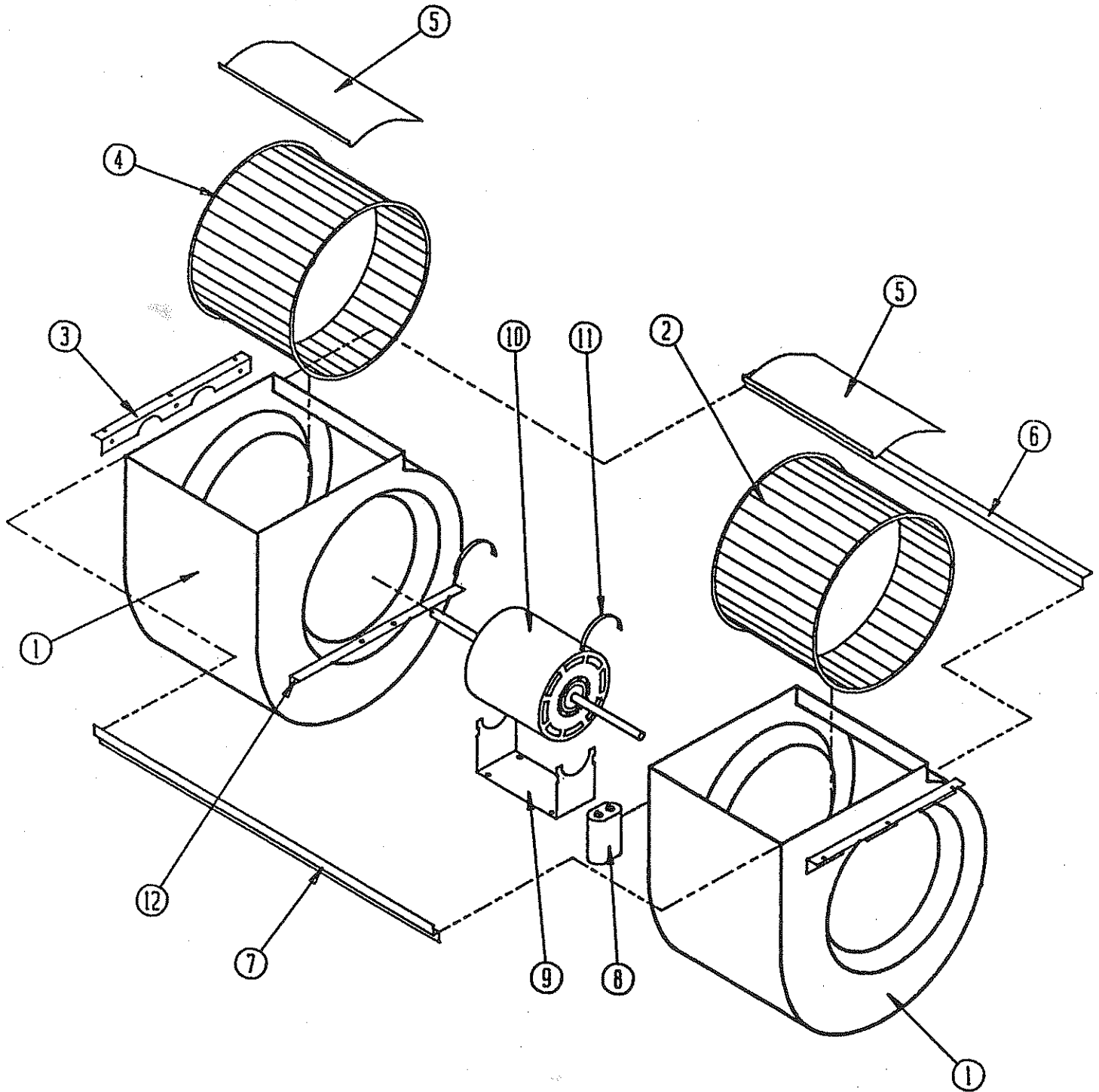
Date: 7-11-89
Supersedes:

CONTROL PANEL
WITH CIRCUIT BREAKERS

Dwg. No.	Part No.	Description	4 5 W H 1 A 0 0 C	4 5 W H 1 A 0 0 C	4 5 W H 1 A 0 0 C	4 5 W H 1 B 0 0 C	4 5 W H 1 B 0 0 C	4 5 W H 1 B 0 0 C
1	8607-019	Low Voltage Terminal Strip	X	X	X	X	X	X
2	8615-015	Circuit Breaker 50A	X	X	X			
2	8615-016	Circuit Breaker 60A		X	X			
2	8615-013	Circuit Breaker 30A			X			
2	8615-020	Circuit Breaker 40A				X		
2	8615-011	Circuit Breaker 60A					X	X
3	8401-006	Heat Contactor		X	2		X	
3	8401-002	Heat Contactor						2
5	8201-008	Heating Blower Relay		X	X		X	X
6	8201-024	Compressor Fault Relay	X	X	X			
7	8401-003	Compressor Contactor	X	X	X			
7	8401-002	Compressor Contactor				X	X	X
8	8552-031	Compressor Capacitor 45/440	X	X	X			
9	8552-005	Condenser Motor Capacitor 10/370	X	X	X	X	X	X
10	8406-010	High Pressure Switch	X	X	X	X	X	X
11	8612-012	Timer	X	X	X	X	X	X
12	8201-047	Defrost Relay	X	X	X	X	X	X
13	8201-013	Emergency Heat Relay			X			X
14	8201-008	Blower Relay	X	X	X	X	X	X
15	8407-035	Transformer	X	X	X	X	X	X
16	8611-006	Ground Terminal	X	2	3	X	X	X
	4086-111	Wiring Diagram	X					
	4086-131	Wiring Diagram		X				
	4086-141	Wiring Diagram			X			
	4086-211	Wiring Diagram				X		
	4086-221	Wiring Diagram					X	
	4086-231	Wiring Diagram						X
	132-095	Control Panel Cover	X	X	X	X	X	X

Date: 1-25-90
Supersedes: 7-11-89

BLOWER ASSEMBLY



Date: 7-11-89
Supersedes:

BLOWER ASSEMBLY

Dwg. No.	Part No.	Description	9	9	9
			0	0	0
			0	0	0
			1	1	1
			1	2	2
			9	0	1
1	151-068	Blower Housing	2	2	2
2	5152-011	Blower Wheel 10-8, CW	x	x	
2	5152-057	Blower Wheel 9-8, CW			x
3	104-791	Blower Angle	2	2	2
4	5152-012	Blower Wheel 10-8, CCW	x	x	
4	5152-058	Blower Wheel 9-8, CCW			x
5	144-126	Diffuser	2	2	2
6	104-802	Back Brace	x	x	x
7	102-389	Front Offset	x	x	x
8	8552-005	Capacitor 10/370	x	x	x
9	128-002	Motor Mount--Cradle	x	x	x
10	8106-023	Motor	x		x
10	8106-024	Motor		x	
11	8200-018	Motor Mount Latch	2	2	2
12	104-788	Motor Support Angle	2	2	2

Date: 7-11-89
Supersedes: