

# REPLACEMENT PARTS MANUAL

## WALL MOUNTED PACKAGE HEAT PUMP MODELS 45WH1

Manual 2110-505

Revision B

Date 6-12-90

Supersedes 1-25-90

\*\*\*\*\*  
\* GENERAL NOTES \*  
\*\*\*\*\*

\*Revised and/or additional pages may be issued from time to time.  
\*A complete and current manual consists of pages dated as shown in the following index.

\*\*\*\*\*  
\*\* INDEX \*\*  
\*\*\*\*\*

<u>Page Description</u>	<u>Page</u>	<u>Date</u>	<u>Supersedes</u>
Cabinet Components--Exploded View	1	7-11-89	
" " --Usage List	2	6-12-90	1-25-90
Functional Components--Exploded View	3	7-11-89	
" " --Usage List	4	6-12-90	7-11-89
Control Panel W/O Circuit Breaker--Layout	5	7-11-89	
" " " " --Usage List	6	1-25-90	7-11-89
Control Panel W/Circuit Breaker--Layout	7	7-11-89	
" " " " --Usage List	8	1-25-90	7-11-89
Blower Assembly--Exploded View	9	7-11-89	
" " --Usage List	10	7-11-89	

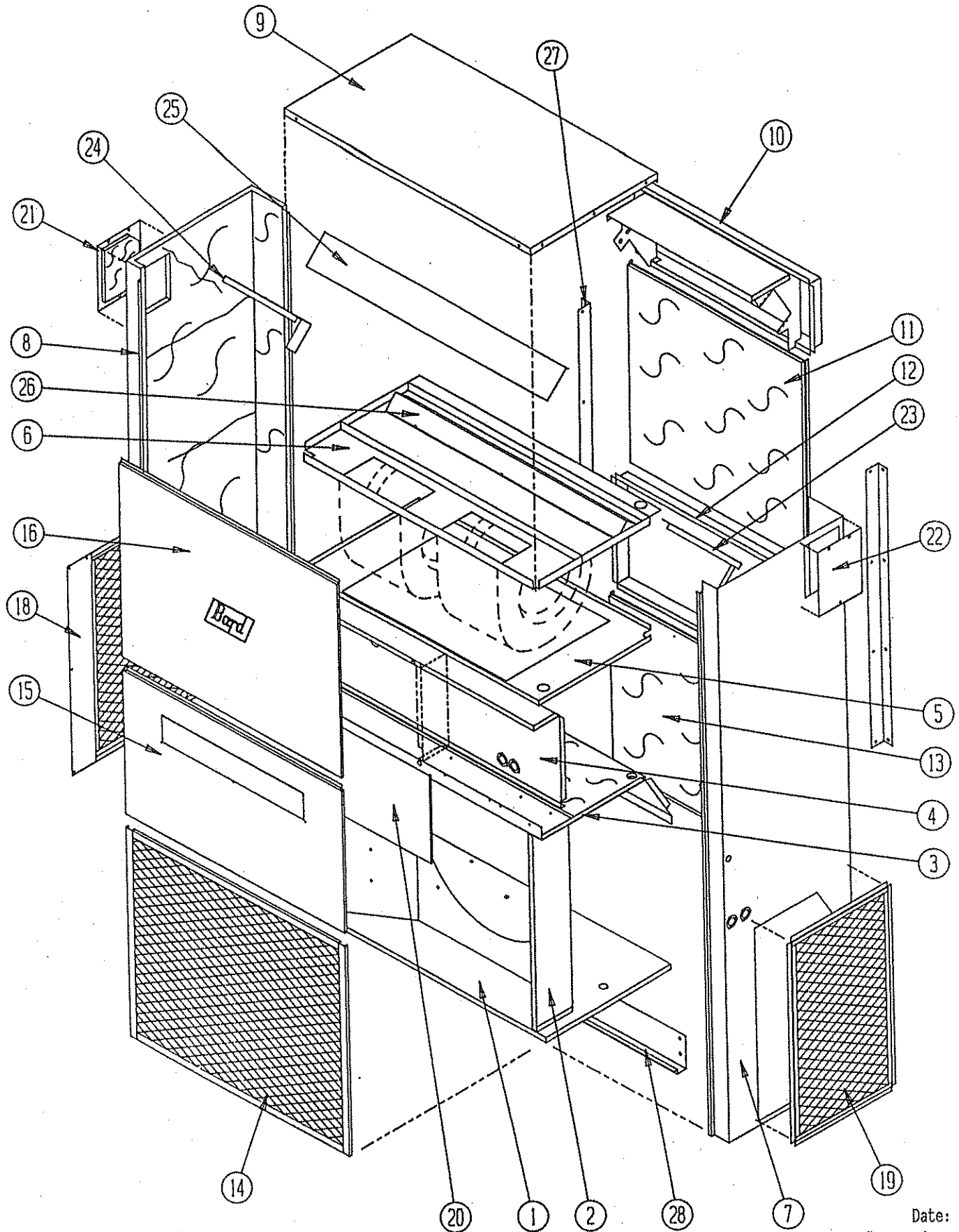
\*\*\*\*\*  
\*\*\* IMPORTANT \*\*\*  
\*\*\*\*\*

Contact the installing and/or local Bard distributor for all parts requirements. Make sure you have the complete model and serial number available from the unit rating plate.

BARD MANUFACTURING COMPANY

BRYAN, OHIO 43506

CABINET COMPONENTS



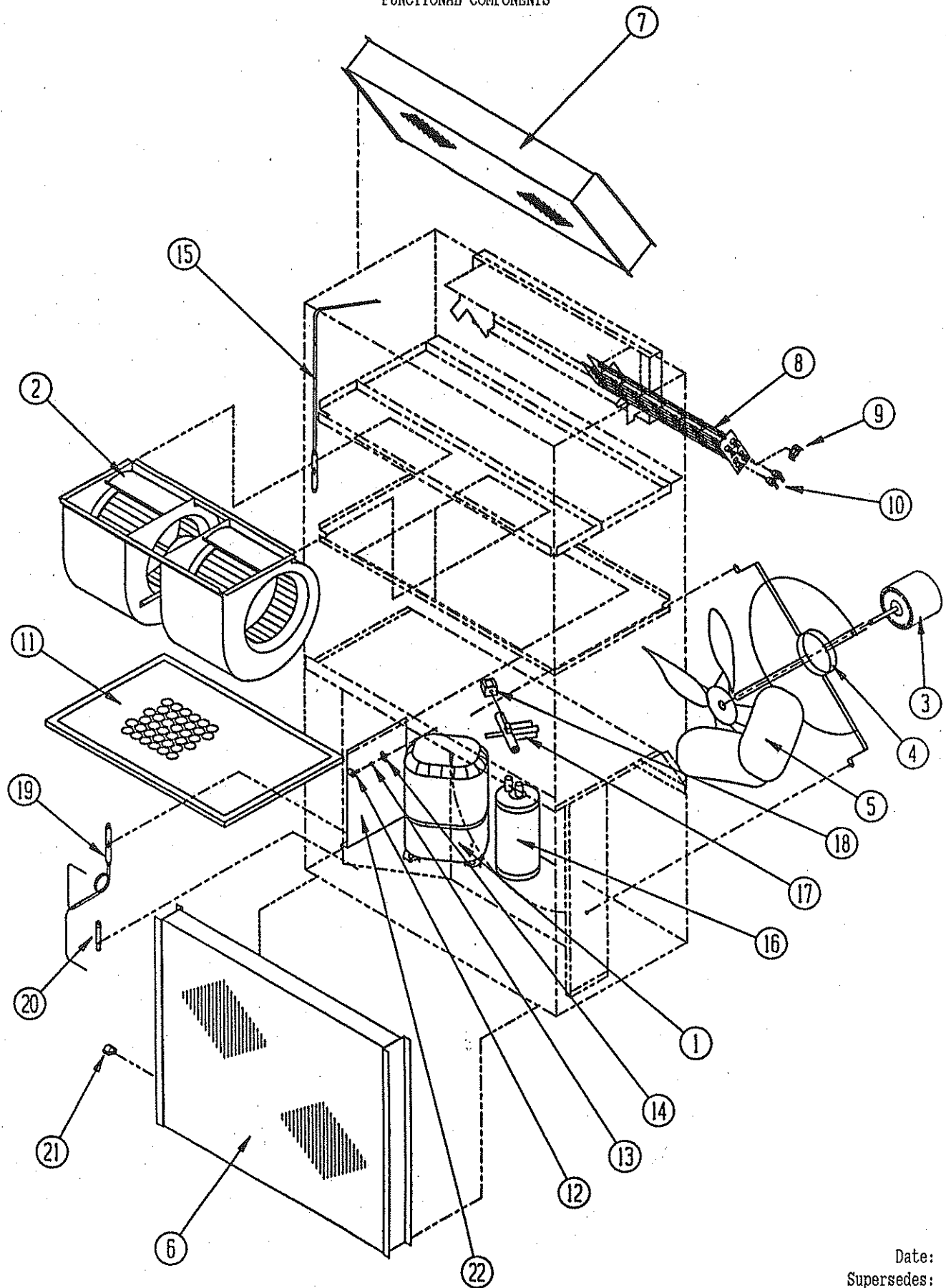
Date: 7-11-89  
Supersedes:

CABINET COMPONENTS

Item	Part No.	Description	U S A G E
1	127-005	Lower Base	X
2	124-003	Fan Shroud	X
3	520-133	Condenser Partition	X
4	Control Pnl. Assy.	See Control Panel Assembly Drawing and Parts List	X
5	130-075	Filter Tray	X
6	521-006	Water Pan/Blower Partition	X
7	501-168	Right Side	X
8	501-169	Left Side	X
9	506-097	Top	X
10	111-019	Outlet Airframe Assembly	X
11	508-059	Upper Back	X
12	111-020	Inlet Air Frame Assembly	X
13	508-060	Lower Back	X
14	119-005	Coil Grille	X
15	552-108	Service Door	X
16	514-047	Upper Front	X
17	962002	Fresh Air Damper	X
18	119-006	Left Side Grille	X
19	119-008	Right Side Grille	X
20	Control Cover	See Control Panel Assembly Drawing and Parts List	X
21	542Y005	Left Side Cover Plate	X
22	542X005	Right Side Cover Plate	X
23	140-010	Support--Right Coil	X
24	140-011	Support--Left Coil	X
25	134-011	Top Evaporator Fill	X
26	136-003	Bottom Evaporator Fill	X
27	112-009	Side Mounting Bracket	X
28	112-006	Bottom Mounting Bracker	X

Date: 6-12-90  
Supersedes: 1-25-90

FUNCTIONAL COMPONENTS



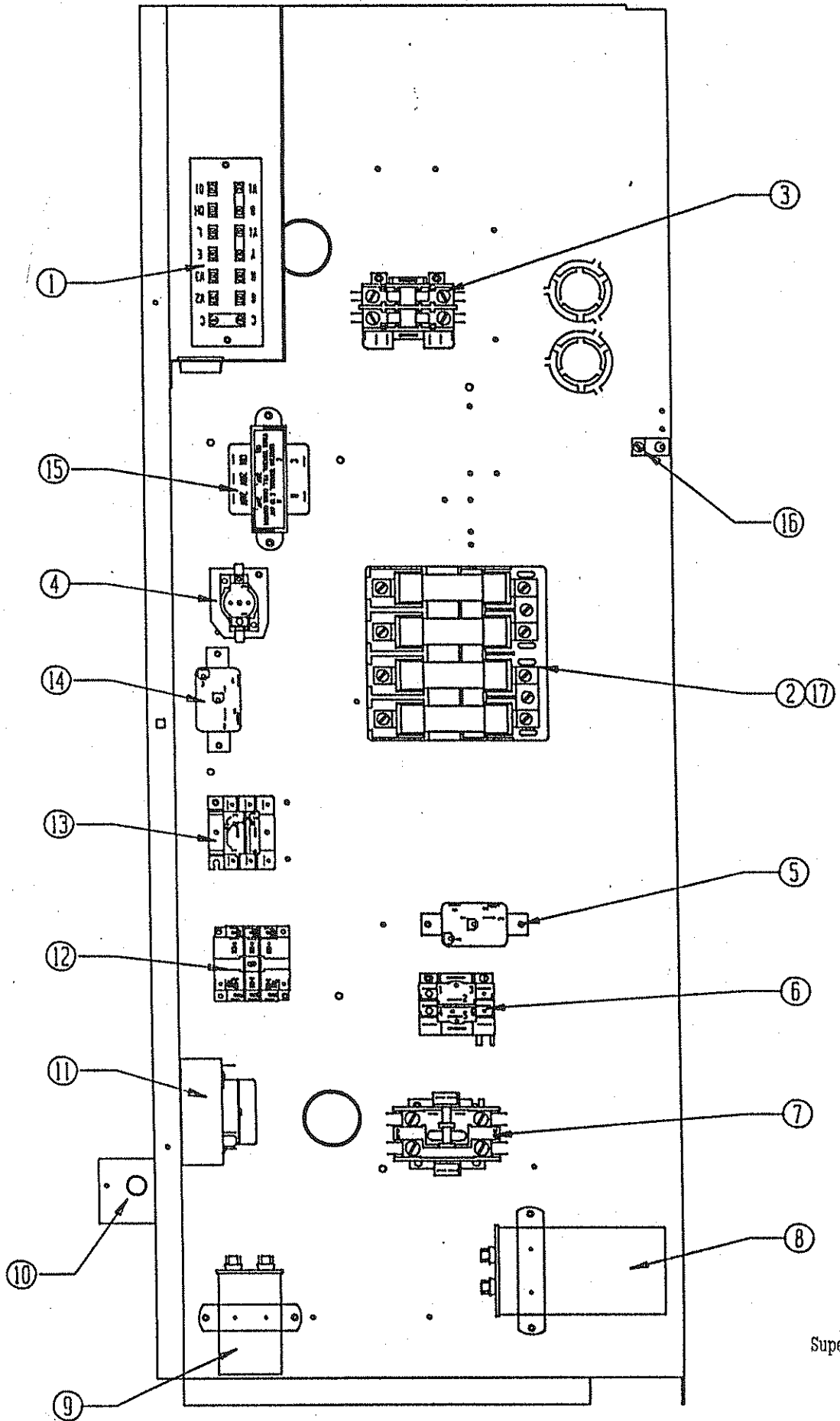
Date: 7-11-89  
Supersedes:

FUNCTIONAL COMPONENTS

Dwg. No.	Part No.	Description	4 5 W H 1   A O O N, C	4 5 W H 1   A O O N, C	4 5 W H 1   A O O N, C	4 5 W H 1   B O O N, C	4 5 W H 1   B O O N, C	4 5 W H 1   B O O N, C
1	8000-104	Compressor AV5542H	x	x	x			
1	8000-088	Compressor AV5542E				x	x	x
2	900-121	Blower Assembly (Complete)	x	x	x	x	x	x
3	8105-035	Condenser Motor	x	x	x	x	x	x
4	8200-004	Motor Mount--Condenser	x	x	x	x	x	x
5	5151-027	Fan Blade	x	x	x	x	x	x
6	5051-029	Condenser Coil	x	x	x	x	x	x
7	5060-025	Evaporator Coil	x	x	x	x	x	x
8	8604-091	Heat Strip		x				
8	8604-047	Heat Strip			x			
8	8604-048	Heat Strip					x	x
8	8604-049	Heat Strip						x
9	8402-047	Limit Control		x	x		x	x
10	8402-032	Thermal Cutoff 4K9239H		2	3		2	4
11	7004-016	Air Filter 20 x 30 x 1	x	x	x	x	x	x
12	1171-019	1/4 Turn Fastener	x	x	x	x	x	x
13	1171-021	Retainer Washer	x	x	x	x	x	x
14	1171-020	Receptacle	x	x	x	x	x	x
15	800-0131	Cooling Capillary Assembly	x	x	x	x	x	x
16	5202-011	Accumulator	x	x	x	x	x	x
17	5650-014	Reversing Valve	x	x	x	x	x	x
18	5650-008	Reversing Valve Solenoid Coil	x	x	x	x	x	x
19	800-0132	Heating Capillary Assembly	x	x	x	x	x	x
20	5651-036	Check Valve	x	x	x	x	x	x
21	8408-016	Defrost Thermostat	x	x	x	x	x	x

Date: 6-12-90  
Supersedes: 7-11-89

CONTROL PANEL WITHOUT CIRCUIT BREAKERS



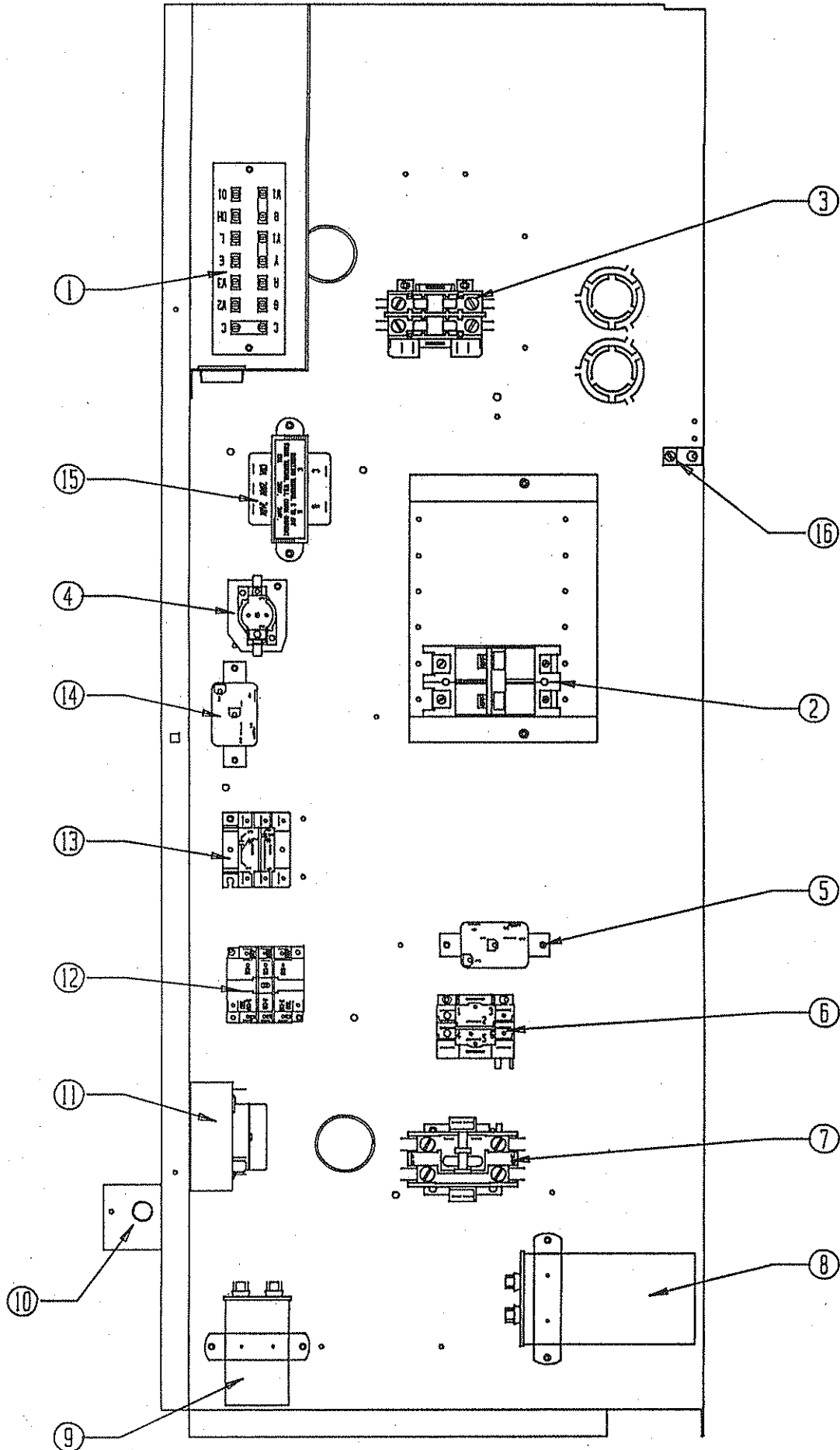
Date: 7-11-89  
Supersedes:

CONTROL PANEL  
WITHOUT CIRCUIT BREAKERS

Dwg. No.	Part No.	Description	4	4	4	4	4	4
			5	5	5	5	5	5
			W	W	W	W	W	W
			H	H	H	H	H	H
			1	1	1	1	1	1
			A	A	A	B	B	B
			O	1	1	O	O	1
			O	O	5	O	9	5
			N	N	N	N	N	N
1	8607-019	Low Voltage Terminal Strip	X	X	X	X	X	X
2	8607-013	Terminal Block	X					
2	8614-018	Fuse Block		X				
2	8614-020	Fuse Block						X
2	8614-014	Fuse Block			X			
2	8607-014	Terminal Block				X		
2	8614-021	Fuse Block					X	
3	8401-006	Heat Contactor		X	2		X	
3	8401-002	Heat Contactor						2
5	8201-008	Heating Blower Relay		X	X		X	X
6	8201-024	Compressor Fault Relay	X	X	X			
7	8401-003	Compressor Contactor	X	X	X			
7	8401-002	Compressor Contactor				X	X	X
8	8552-031	Compressor Capacitor 45/440	X	X	X			
9	8552-005	Condenser Motor Capacitor 10/370	X	X	X	X	X	X
10	8406-010	High Pressure Switch	X	X	X	X	X	X
11	8612-012	Timer	X	X	X	X	X	X
12	8201-047	Defrost Relay	X	X	X	X	X	X
13	8201-013	Emergency Heat Relay			X			X
14	8201-008	Blower Relay	X	X	X	X	X	X
15	8407-035	Transformer	X	X	X	X	X	X
16	8611-006	Ground Terminal	X	X	2	X	X	X
	4086-110	Wiring Diagram	X					
	4086-130	Wiring Diagram		X				
	4086-140	Wiring Diagram			X			
	4086-210	Wiring Diagram				X		
	4086-220	Wiring Diagram					X	
	4086-230	Wiring Diagram						X
	132-080	Control Panel Cover	X			X		
	133-053	Control Panel Cover		X	X		X	X

Date: 1-25-90  
Supersedes: 7-11-89

CONTROL PANEL WITH CIRCUIT BREAKERS



Date: 7-11-89  
Supersedes:

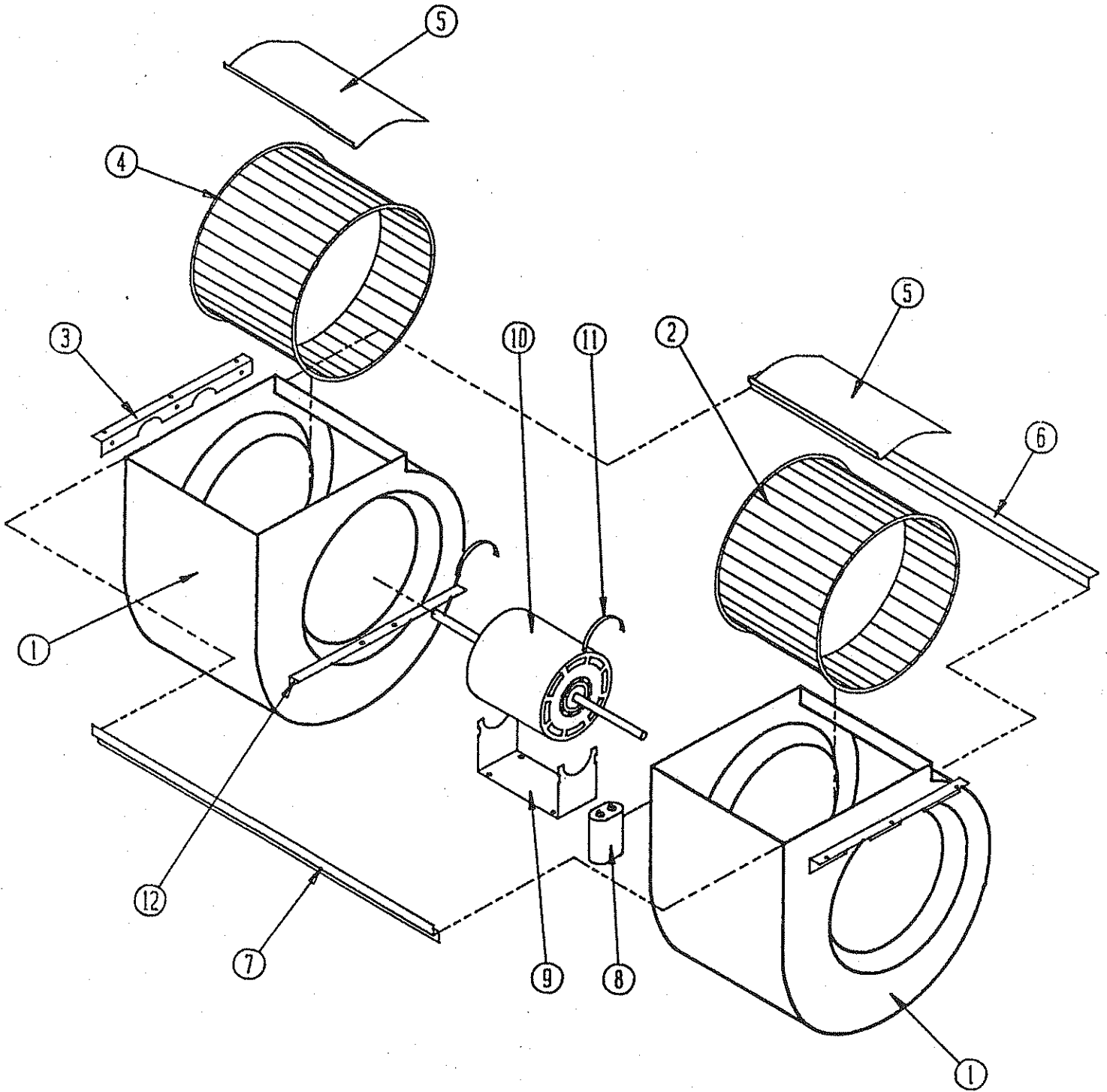


CONTROL PANEL  
WITH CIRCUIT BREAKERS

Dwg. No.	Part No.	Description	4	4	4	4	4	4
			5	5	5	5	5	5
			W	W	W	W	W	W
			H	H	H	H	H	H
			1	1	1	1	1	1
			A	A	A	B	B	B
			0	1	1	0	0	1
			0	0	5	0	9	5
			C	C	C	C	C	C
1	8607-019	Low Voltage Terminal Strip	X	X	X	X	X	X
2	8615-015	Circuit Breaker 50A	X	X	X			
2	8615-016	Circuit Breaker 60A		X	X			
2	8615-013	Circuit Breaker 30A			X			
2	8615-020	Circuit Breaker 40A				X		
2	8615-011	Circuit Breaker 60A					X	X
3	8401-006	Heat Contactor		X	2		X	
3	8401-002	Heat Contactor						2
5	8201-008	Heating Blower Relay		X	X		X	X
6	8201-024	Compressor Fault Relay	X	X	X			
7	8401-003	Compressor Contactor	X	X	X			
7	8401-002	Compressor Contactor				X	X	X
8	8552-031	Compressor Capacitor 45/440	X	X	X			
9	8552-005	Condenser Motor Capacitor 10/370	X	X	X	X	X	X
10	8406-010	High Pressure Switch	X	X	X	X	X	X
11	8612-012	Timer	X	X	X	X	X	X
12	8201-047	Defrost Relay	X	X	X	X	X	X
13	8201-013	Emergency Heat Relay			X			X
14	8201-008	Blower Relay	X	X	X	X	X	X
15	8407-035	Transformer	X	X	X	X	X	X
16	8611-006	Ground Terminal	X	2	3	X	X	X
	4086-111	Wiring Diagram	X					
	4086-131	Wiring Diagram		X				
	4086-141	Wiring Diagram			X			
	4086-211	Wiring Diagram				X		
	4086-221	Wiring Diagram					X	
	4086-231	Wiring Diagram						X
	132-095	Control Panel Cover	X	X	X	X	X	X

Date: 1-25-90  
Supersedes: 7-11-89

BLOWER ASSEMBLY



Date: 7-11-89  
Supersedes:

BLOWER ASSEMBLY

Dwg. No.	Part No.	Description	9 0 0   1 1 9	9 0 0   1 2 0	9 0 0   1 2 1
1	151-068	Blower Housing	2	2	2
2	5152-011	Blower Wheel 10-8, CW	X	X	
2	5152-057	Blower Wheel 9-8, CW			X
3	104-791	Blower Angle	2	2	2
4	5152-012	Blower Wheel 10-8, CCW	X	X	
4	5152-058	Blower Wheel 9-8, CCW			X
5	144-126	Diffuser	2	2	2
6	104-802	Back Brace	X	X	X
7	102-389	Front Offset	X	X	X
8	8552-005	Capacitor 10/370	X	X	X
9	128-002	Motor Mount--Cradle	X	X	X
10	8106-023	Motor	X		X
10	8106-024	Motor		X	
11	8200-018	Motor Mount Latch	2	2	2
12	104-788	Motor Support Angle	2	2	2

Date: 7-11-89  
Supersedes: