

REPLACEMENT PARTS MANUAL

WALL MOUNTED PACKAGE HEAT PUMP MODELS 48WH6

Manual 2110-506

Revision A

Date 1-25-90

Supersedes 7-11-89

* GENERAL NOTES *

*Revised and/or additional pages may be issued from time to time.
*A complete and current manual consists of pages dated as shown in the following index.

** INDEX **

<u>Page Description</u>	<u>Page</u>	<u>Date</u>	<u>Supersedes</u>
Cabinet Components--Exploded View	1	7-11-89	
" " --Usage List	2	1-25-90	7-11-89
Functional Components--Exploded View	3	7-11-89	
" " --Usage List	4	1-25-90	7-11-89
Control Panel W/O Circuit Breaker--Layout	5	7-11-89	
" " " " --Usage List	6	7-11-89	
Control Panel W/O Circuit Breaker--Layout	7	7-11-89	
" " " " --Usage List	8	1-25-90	7-11-89
Control Panel W/Circuit Breaker--Layout	9	7-11-89	
" " " " --Usage List	10	1-25-90	7-11-89
Blower Assembly--Exploded View	11	7-11-89	
" " --Usage List	12	7-11-89	

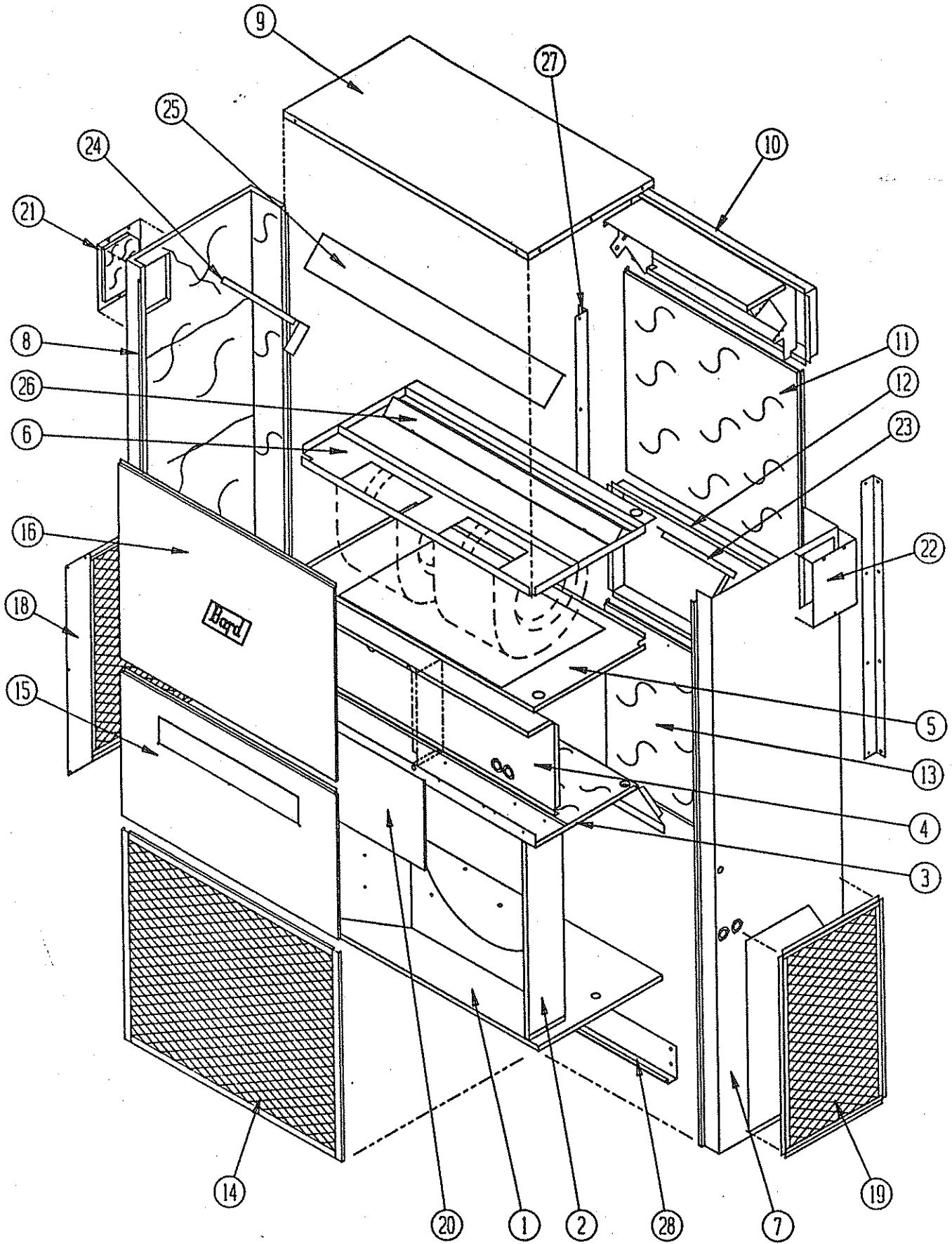
*** IMPORTANT ***

Contact the installing and/or local Bard distributor for all parts requirements. Make sure you have the complete model and serial number available from the unit rating plate.

BARD MANUFACTURING COMPANY

BRYAN, OHIO 43506

CABINET COMPONENTS

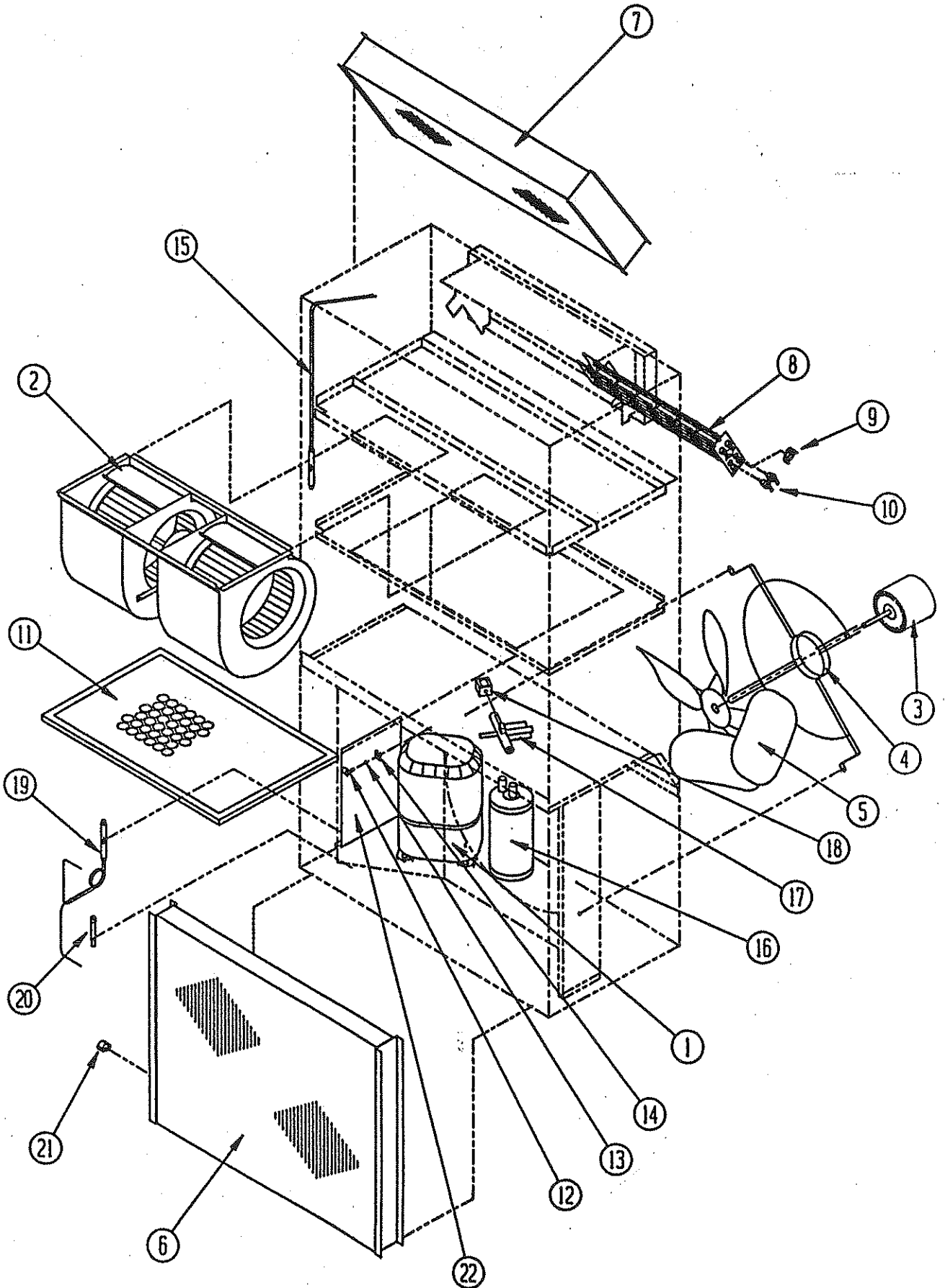


CABINET COMPONENTS

Item	Part No.	Description	U S A G E
1	127-005	Lower Base	X
2	124-003	Fan Shroud	X
3	520-133	Condenser Partition	X
4	Control Pnl. Assy.	See Control Panel Assembly Drawing and Parts List	X
5	131-004	Filter Tray	X
6	521-006	Water Pan/Blower Partition	X
7	501-168	Right Side	X
8	501-169	Left Side	X
9	506-097	Top	X
10	111-019	Outlet Airframe Assembly	X
11	508-059	Upper Back	X
12	111-020	Inlet Air Frame Assembly	X
13	508-060	Lower Back	X
14	119-005	Coil Grille	X
15	552-108	Service Door	X
16	514-047	Upper Front	X
17	962002	Fresh Air Damper	X
18	119-006	Left Side Grille	X
19	119-008	Right Side Grille	X
20	Control Cover	See Control Panel Assembly Drawing and Parts List	X
21	542Y005	Left Side Cover Plate	X
22	542X005	Right Side Cover Plate	X
23	140-010	Support--Right Coil	X
24	140-011	Support--Left Coil	X
25	134-011	Top Evaporator Fill	X
26	136-003	Bottom Evaporator Fill	X
27	112-009	Side Mounting Bracket	X
28	112-006	Bottom Mounting Bracket	X

Date: 1-25-90
Supersedes: 7-11-89

FUNCTIONAL COMPONENTS

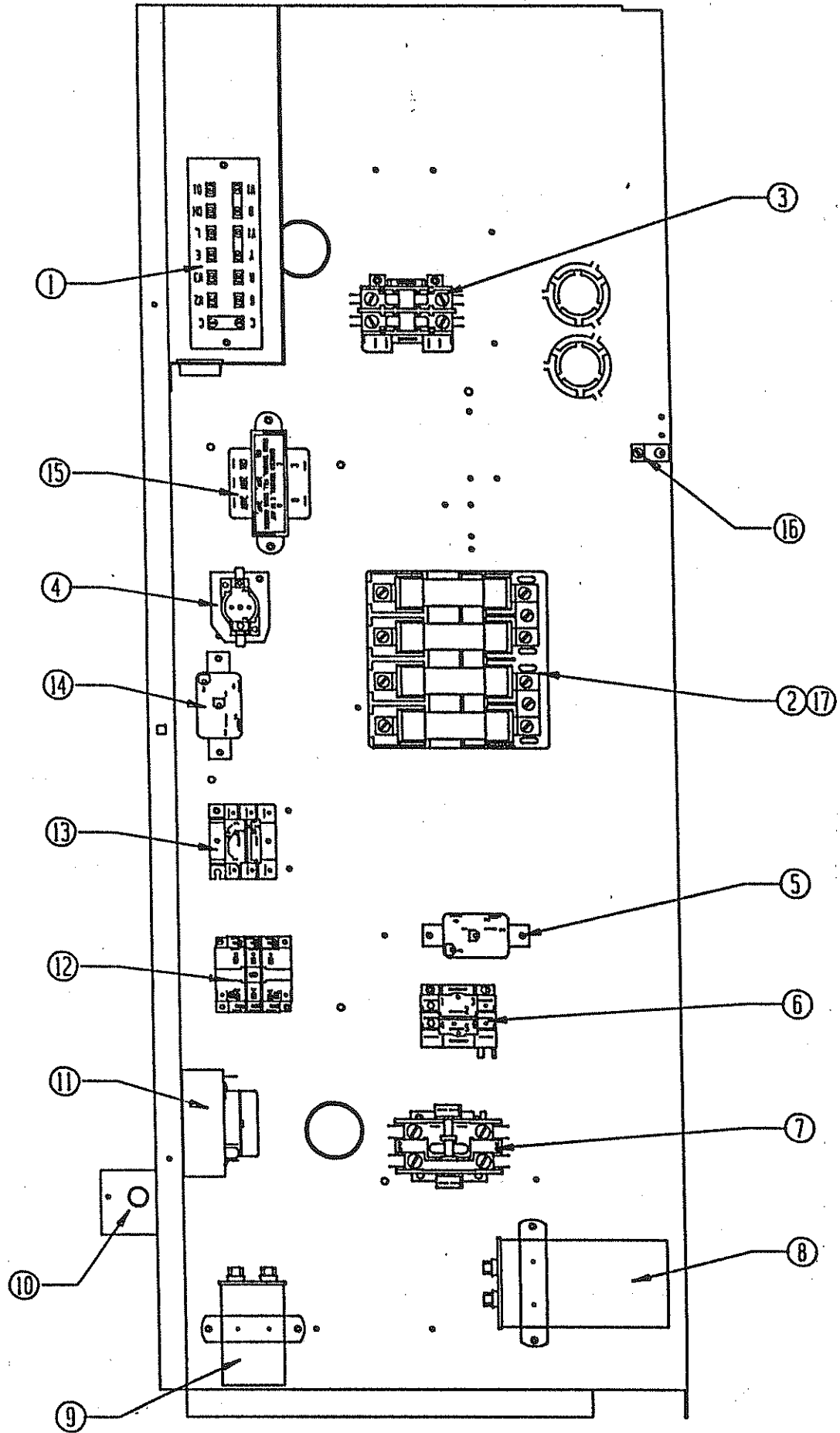


FUNCTIONAL COMPONENTS

Dwg. No.	Part No.	Description	48WH600N,C	48WH600N,C	48WH600N,C	48WH600N,C	48WH600N,C	48WH600N,C	48WH600N,C	48WH600N,C	48WH600N,C	48WH600N,C	48WH600N,C	48WH600N,C	48WH600N,C	48WH600N,C	48WH600N,C	48WH600N,C	48WH600N,C	
1	8000-081	Compressor																	X	X
1	8000-082	Compressor AV5546E				X	X	X	X					X	X					
1	8000-083	Compressor AV5546E								X	X	X				X	X			
1	8000-107	Compressor CRL3-0350-PFV	X	X	X	X														
2	900-119	Blower Assembly (Complete)	X	X	X	X	X	X	X					X	X	X	X	X	X	X
2	900-120	Blower Assembly (Complete)								X	X	X								
3	8105-014	Condenser Motor											X	X	X	X	X	X	X	X
3	8105-035	Condenser Motor	X	X	X	X	X	X	X											
3	8105-030	Condenser Motor								X	X	X								
4	8200-004	Motor Mount--Condenser	X	X	X	X	X	X	X	X	X	X	X	X	X	X	X	X	X	X
5	5151-026	Fan Blade												X	X	X	X	X	X	X
5	5151-027	Fan Blade	X	X	X	X	X	X	X	X	X	X	X							
6	5051-029	Condenser Coil	X	X	X	X	X	X	X	X	X	X	X	X	X	X	X	X	X	X
7	5060-025	Evaporator Coil	X	X	X	X	X	X	X	X	X	X	X	X	X	X	X	X	X	X
8	8604-047	Heat Strip			X			X							X					X
8	8604-048	Heat Strip					X		2											
8	8604-052	Heat Strip									X									
8	8604-072	Heat Strip									X									
8	8604-087	Heat Strip															X			
8	8604-091	Heat Strip		X		2														
9	8402-047	Limit Control		X	X	X		X	X	X		X	X		X		X		X	
10	8402-032	Thermal Cutoff 4K9239H		2	3	4		2	3	4				3		4			3	
10	8402-057	Thermal Cutoff 4K4218AH										2	3							
11	7004-016	Air Filter 20 x 30 x 1	X	X	X	X	X	X	X	X	X	X	X	X	X	X	X	X	X	X
12	1171-019	1/4 Turn Fastener	X	X	X	X	X	X	X	X	X	X	X	X	X	X	X	X	X	X
13	1171-021	Retainer Washer	X	X	X	X	X	X	X	X	X	X	X	X	X	X	X	X	X	X
14	1171-020	Receptacle	X	X	X	X	X	X	X	X	X	X	X	X	X	X	X	X	X	X
15	800-0131	Cooling Capillary Assembly	X	X	X	X	X	X	X	X	X	X	X	X	X	X	X	X	X	X
16	5202-018	Accumulator	X	X	X	X	X	X	X	X	X	X	X	X	X	X	X	X	X	X
17	5650-006	Reversing Valve	X	X	X	X	X	X	X	X	X	X	X	X	X	X	X	X	X	X
18	5650-008	Reversing Valve Solenoid Coil	X	X	X	X	X	X	X	X	X	X	X	X	X	X	X	X	X	X
19	800-0096	Heating Capillary Assembly	X	X	X	X	X	X	X	X	X	X	X	X	X	X	X	X	X	X
20	5651-036	Check Valve	X	X	X	X	X	X	X	X	X	X	X	X	X	X	X	X	X	X
21	8408-012	Defrost Thermostat	X	X	X	X	X	X	X	X	X	X	X	X	X	X	X	X	X	X

Date: 1-25-90
Supersedes: 7-11-89

CONTROL PANEL WITHOUT CIRCUIT BREAKER

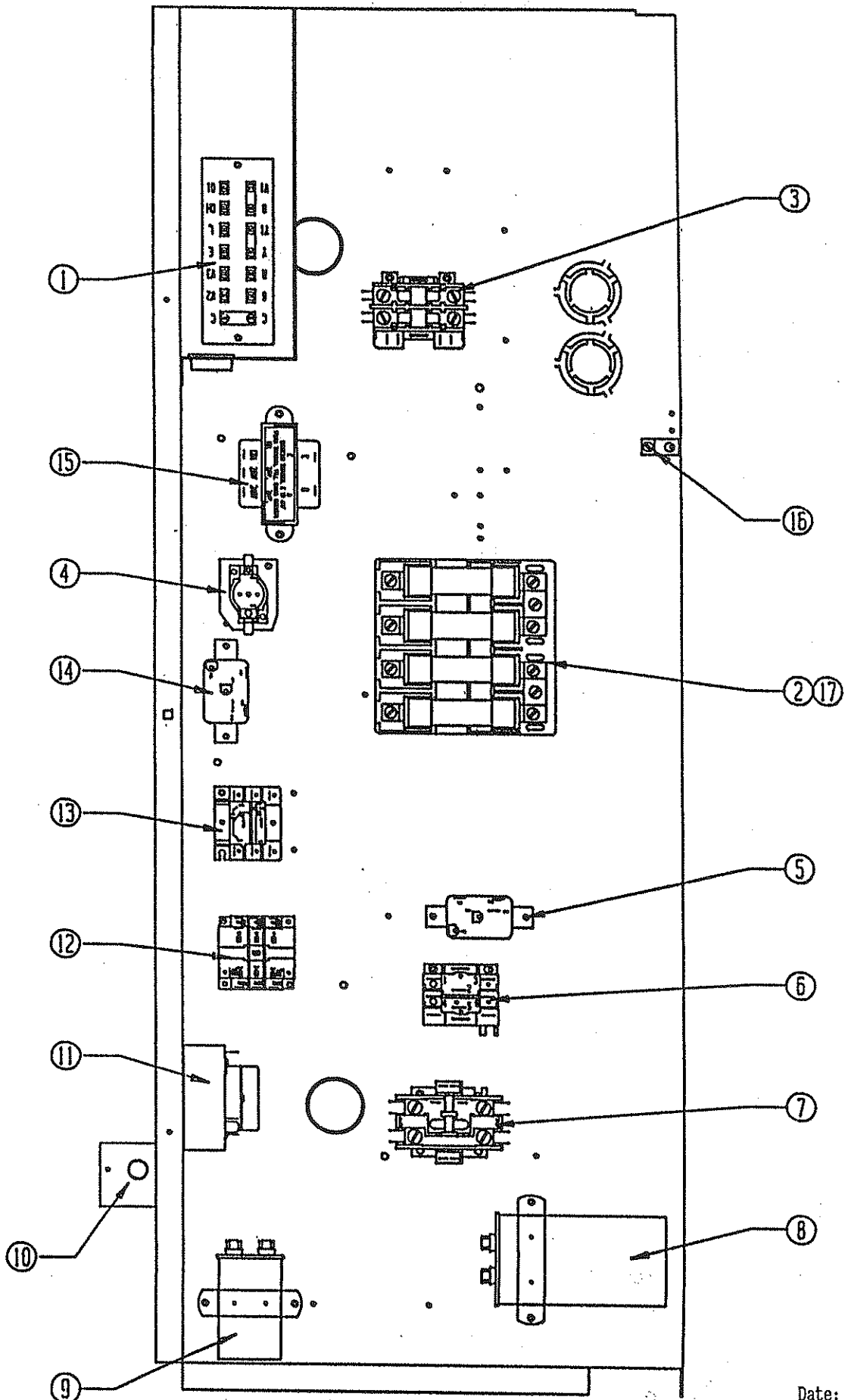


CONTROL PANEL
WITHOUT CIRCUIT BREAKER

Dwg. No.	Part No.	Description	4	4	4	4	4	4	4	4	4	4	4	4	4	4	4	4	4
			8	8	8	8	8	8	8	8	8	8	8	8	8	8	8	8	8
			W	W	W	W	W	W	W	W	W	W	W	W	W	W	W	W	
			H	H	H	H	H	H	H	H	H	H	H	H	H	H	H	H	
			6	6	6	6	6	6	6	6	6	6	6	6	6	6	6	6	
			A	A	A	A	B	B	B	B	C	C	C	E	E	F	F	G	
			O	1	1	2	O	O	1	1	O	O	1	O	1	O	1	O	
			O	O	5	O	O	9	5	8	O	9	5	O	5	O	4	O	
			N	N	N	N	N	N	N	N	N	N	N	N	N	N	N	N	
1	8607-019	Low Voltage Terminal Strip	X	X	X	X	X	X	X	X	X	X	X	X	X	X	X	X	
2	8607-013	Terminal Block	X													2	2	X	
2	8607-014	Terminal Block					X				X	X	X	X					
2	8614-018	Fuse Block		X															
2	8614-014	Fuse Block			X													X	
2	8614-019	Fuse Block				X													
2	8614-021	Fuse Block						X											
2	8614-020	Fuse Block							X	X					X				
3	8401-006	Heat Contactor		X	2	2		X		2								2	
3	8401-010	Heat Contactor							X						X				
3	8401-002	Heat Contactor										X	X				2		
5	8201-008	Heating Blower Relay		X	X	X		X	X	X					X		X	X	
6	8201-032	Defrost Relay									X	X	X						
6	8201-024	Compressor Fault Relay	X	X	X	X													
7	8401-003	Compressor Contactor	X	X	X	X												X	
7	8401-016	Compressor Contactor																X	
7	8401-002	Compressor Contactor					X	X	X	X	X	X	X	X	X	X	X	X	
8	8552-030	Compressor Capacitor 40/440	X	X	X	X												X	
9	8552-005	Condenser Mtr Capacitor 10/370	X	X	X	X	X	X	X	X				X	X	X	X	X	
9	8552-026	Condenser Mtr Capacitor 15/370									X	X	X					X	
10	8406-010	High Pressure Switch	X	X	X	X	X	X	X	X	X	X	X	X	X	X	X	X	
11	8612-012	Timer	X	X	X	X	X	X	X	X	X	X	X	X	X	X	X	X	
12	8201-047	Defrost Relay	X	X	X	X	X	X	X	X	X	X	X	X	X	X	X	X	
13	8201-013	Emergency Heat Relay			X	X				X							X	X	
14	8201-008	Blower Relay	X	X	X	X	X	X	X	X				X	X		X	X	
14	8201-009	Blower Relay														X			
14	8201-032	Blower Relay									X	X	X						
15	8407-035	Transformer	X	X	X	X	X	X	X	X				X	X		X	X	
15	8407-037	Transformer									X	X	X						
15	8407-040	Transformer														X		X	
16	8611-006	Ground Terminal	X	X	2	2	X	X	X	X	X	X	X	X	X	X	X	X	
17	8607-015	Phenolic Insulator									X	X	X						

Date: 7-11-89
Supersedes:

CONTROL PANEL WITHOUT CIRCUIT BREAKER



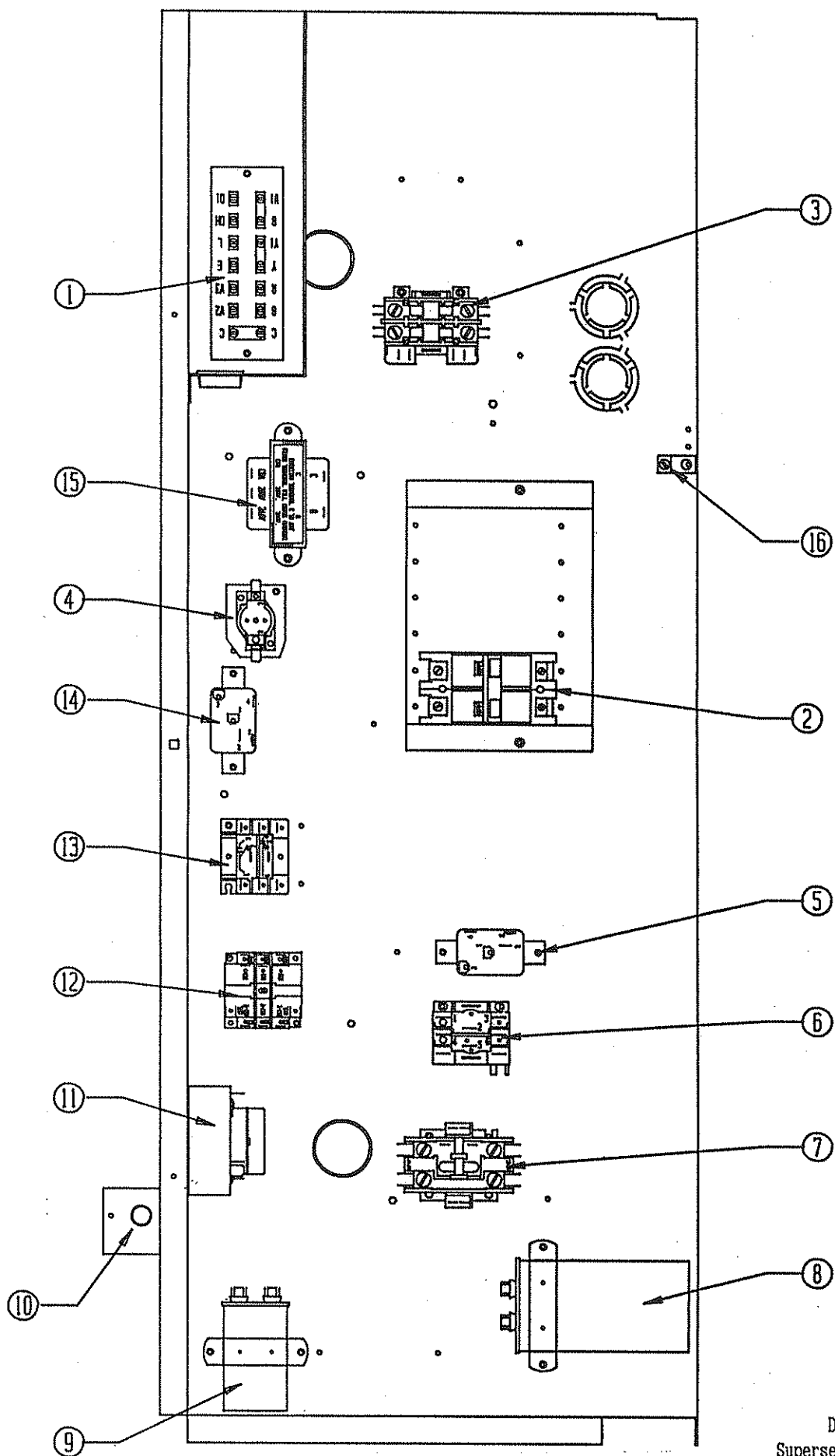
Date: 7-11-89
Supersedes:

CONTROL PANEL
WITHOUT CIRCUIT BREAKER

Dwg. No.	Part No.	Description	4	4	4	4	4	4	4	4	4	4	4	4	4	4	4	4	4	4
			8	8	8	8	8	8	8	8	8	8	8	8	8	8	8	8	8	8
			W	W	W	W	W	W	W	W	W	W	W	W	W	W	W	W	W	
			H	H	H	H	H	H	H	H	H	H	H	H	H	H	H	H	H	
			6	6	6	6	6	6	6	6	6	6	6	6	6	6	6	6	6	
			A	A	A	A	B	B	B	B	C	C	C	E	E	E	F	G	G	
			0	1	1	2	0	0	1	1	0	0	1	0	1	0	1	0	1	
			0	0	5	0	0	9	5	8	0	9	5	0	5	0	4	0	3	
			N	N	N	N	N	N	N	N	N	N	N	N	N	N	N	N	N	
	4089-110	Wiring Diagram	X																	
	4089-130	Wiring Diagram		X																
	4089-144	Wiring Diagram			X															
	4089-150	Wiring Diagram				X														
	4089-210	Wiring Diagram					X													
	4089-220	Wiring Diagram						X												
	4089-230	Wiring Diagram							X											
	4089-240	Wiring Diagram								X										
	4089-310	Wiring Diagram									X									
	4089-320	Wiring Diagram										X								
	4089-330	Wiring Diagram											X							
	4089-410	Wiring Diagram																X		
	4089-440	Wiring Diagram																	X	
	4089-510	Wiring Diagram											X							
	4089-530	Wiring Diagram												X						
	4089-610	Wiring Diagram													X					
	4089-630	Wiring Diagram														X				
	132-095	Control Panel Cover	X				X				X	X	X	X	X	X	X	X		
	133-053	Control Panel Cover		X	X	X		X	X	X									X	

Date: 1-25-90
Supersedes: 7-11-89

CONTROL PANEL WITH CIRCUIT BREAKER

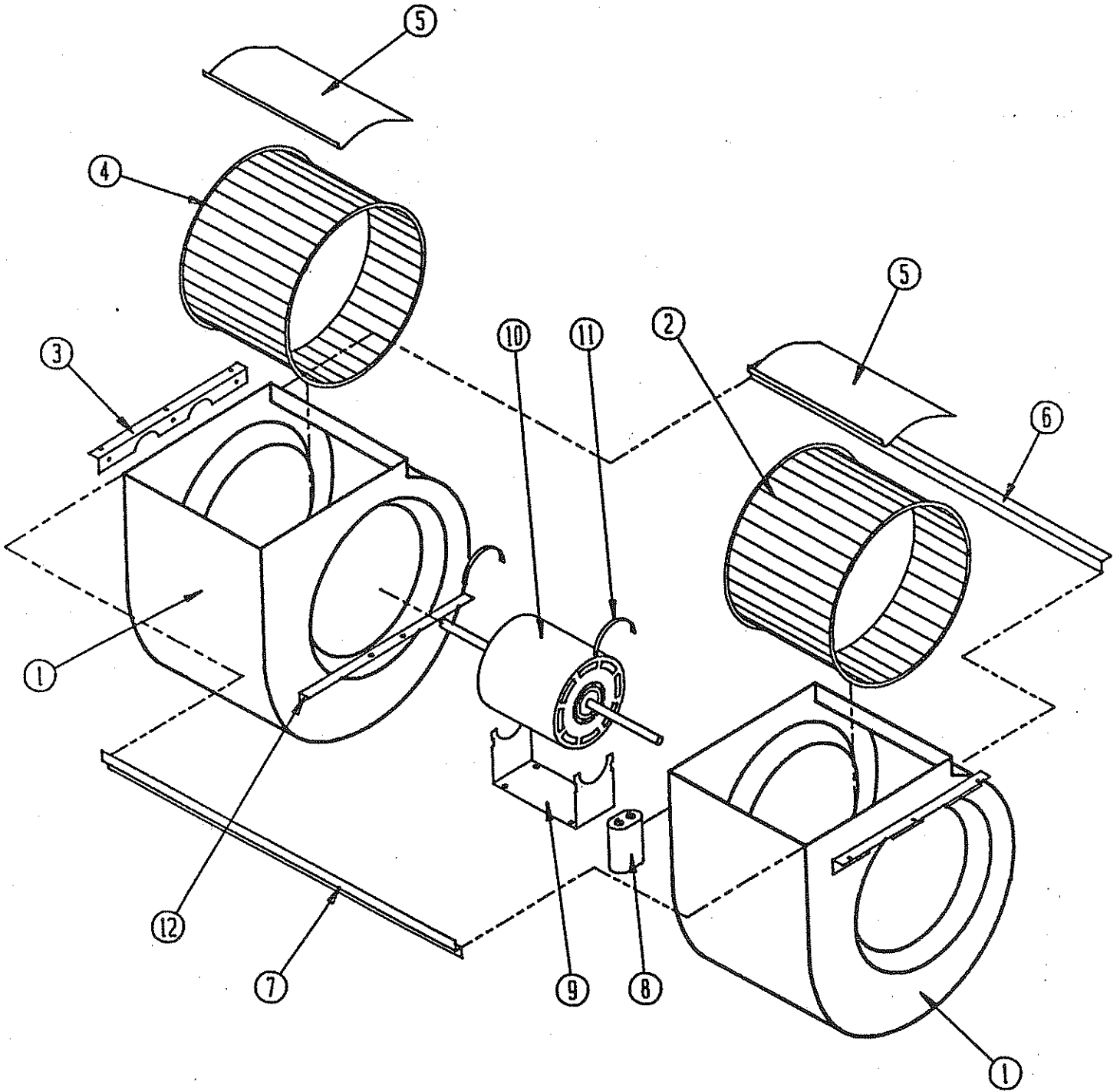


CONTROL PANEL
WITH CIRCUIT BREAKER

Dwg. No.	Part No.	Description	4	4	4	4	4	4	4	4	4	4	4	4
			8	8	8	8	8	8	8	8	8	8	8	8
			W	W	W	W	W	W	W	W	W	W	W	W
			H	H	H	H	H	H	H	H	H	H	H	H
			6	6	6	6	6	6	6	6	6	6	6	6
			A	A	A	A	B	B	B	B	C	C	C	C
			0	1	1	2	0	0	1	1	0	0	0	1
			0	0	5	0	0	9	5	8	0	9	5	5
			C	C	C	C	C	C	C	C	C	C	C	C
1	8607-019	Low Voltage Terminal Strip	X	X	X	X	X	X	X	X	X	X	X	X
2	8615-016	Circuit Breaker (60A)	X	2	2	3								
2	8615-013	Circuit Breaker (30A)			X									
2	8615-021	Circuit Breaker (45A)					X		X	X				
2	8615-011	Circuit Breaker (60A)						X		X				
2	8615-007	Circuit Breaker (50A)							X					
2	8615-034	Circuit Breaker (40A)												X
2	8615-030	Circuit Breaker (20A)									X			
2	8615-032	Circuit Breaker (30A)										X		
3	8401-006	Heat Contactor		X	2	2		X		2				
3	8401-010	Heat Contactor							X					
3	8401-002	Heat Contactor											X	X
5	8201-008	Heating Blower Relay		X	X	X		X	X	X				
6	8201-032	Defrost Relay									X	X	X	
6	8201-024	Compressor Fault Relay	X	X	X	X								
7	8401-003	Compressor Contactor	X	X	X	X								
7	8401-016	Compressor Contactor												
7	8401-002	Compressor Contactor					X	X	X	X	X	X	X	X
8	8552-030	Compressor Capacitor 40/440	X	X	X	X								
9	8552-005	Condenser Motor Capacitor 10/370	X	X	X	X	X	X	X	X				
9	8552-026	Condenser Motor Capacitor 15/370									X	X	X	
10	8406-010	High Pressure Switch	X	X	X	X	X	X	X	X	X	X	X	X
11	8612-012	Timer	X	X	X	X	X	X	X	X	X	X	X	X
12	8201-047	Defrost Relay	X	X	X	X	X	X	X	X	X	X	X	X
13	8201-013	Emergency Heat Relay			X	X				X				
14	8201-008	Blower Relay	X	X	X	X	X	X	X	X				
14	8201-032	Blower Relay									X	X	X	
15	8407-035	Transformer	X	X	X	X	X	X	X	X				
15	8407-037	Transformer										X	X	X
16	8611-006	Ground Terminal	X	2	3	3	X	X	2	2	X	X	X	
	4089-111	Wiring Diagram	X											
	4089-131	Wiring Diagram		X										
	4089-145	Wiring Diagram			X									
	4089-151	Wiring Diagram				X								
	4089-211	Wiring Diagram					X							
	4089-221	Wiring Diagram						X						
	4089-231	Wiring Diagram							X					
	4089-241	Wiring Diagram								X				
	4089-311	Wiring Diagram									X			
	4089-321	Wiring Diagram										X		
	4089-331	Wiring Diagram											X	X
	132-089	Control Panel Cover									X	X	X	
	132-095	Control Panel Cover	X	X	X	X	X	X	X	X				

Date: 1-25-90
Supersedes: 7-11-89

BLOWER ASSEMBLY



BLOWER ASSEMBLY

Dwg. No.	Part No.	Description	9 0 0 1 1 9	9 0 0 1 2 0	9 0 0 1 2 1
1	151-068	Blower Housing	2	2	2
2	5152-011	Blower Wheel 10-8, CW	X	X	
2	5152-057	Blower Wheel 9-8, CW			X
3	104-791	Blower Angle	2	2	2
4	5152-012	Blower Wheel 10-8, CCW	X	X	
4	5152-058	Blower Wheel 9-8, CCW			X
5	144-126	Diffuser	2	2	2
6	104-802	Back Brace	X	X	X
7	102-389	Front Offset	X	X	X
8	8552-005	Capacitor 10/370	X	X	X
9	128-002	Motor Mount--Cradle	X	X	X
10	8106-023	Motor	X		X
10	8106-024	Motor		X	
11	8200-018	Motor Mount Latch	2	2	2
12	104-788	Motor Support Angle	2	2	2

Date: 7-11-89
Supersedes: