

REPLACEMENT PARTS MANUAL

WALL MOUNTED PACKAGE HEAT PUMP MODELS 48WH6

Manual 2110-506

Revision C

Date 3-01-91

Supersedes 9-14-90

* GENERAL NOTES *

*Revised and/or additional pages may be issued from time to time.
*A complete and current manual consists of pages dated as shown in the following index.

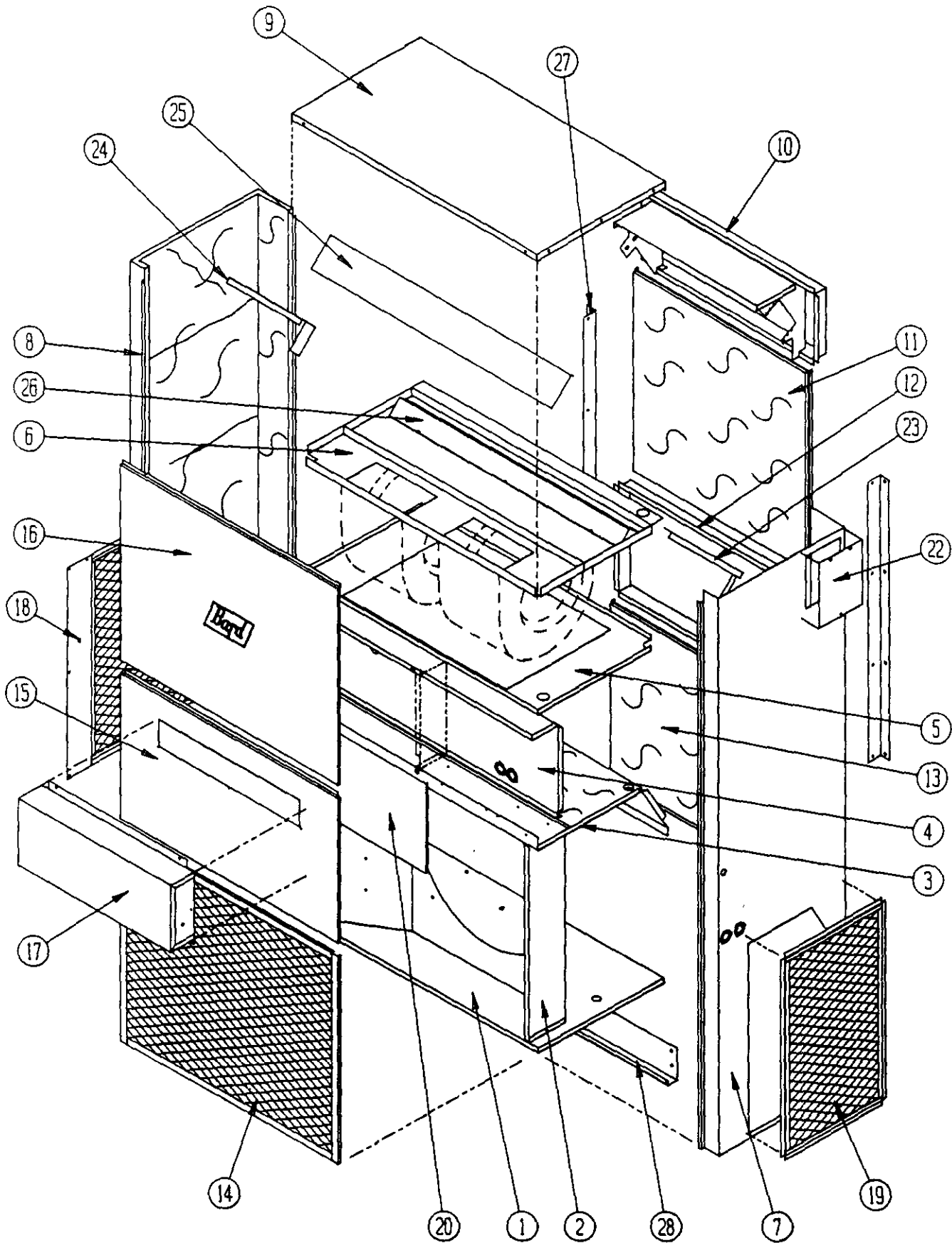
** INDEX **

<u>Page Description</u>	<u>Page</u>	<u>Date</u>	<u>Supersedes</u>
Cabinet Components--Exploded View	1	3-01-91	7-11-89
" " --Usage List	2	3-01-91	9-14-90
Functional Components--Exploded View	3	7-11-89	
" " --Usage List	4	3-01-91	1-25-90
Control Panel W/O Circuit Breaker--Layout	5	9-14-90	7-11-89
" " " " --Usage List	6	3-01-91	9-14-90
Control Panel W/O Circuit Breaker--Layout	7	7-11-89	
" " " " --Usage List	8	1-25-90	7-11-89
Control Panel W/Circuit Breaker--Layout	9	9-14-90	7-11-89
" " " " --Usage List	10	3-01-91	9-14-90
Blower Assembly--Exploded View	11	7-11-89	
" " --Usage List	12	9-14-90	7-11-89

*** IMPORTANT ***

Contact the installing and/or local Bard distributor for all parts requirements. Make sure you have the complete model and serial number available from the unit rating plate.

CABINET COMPONENTS



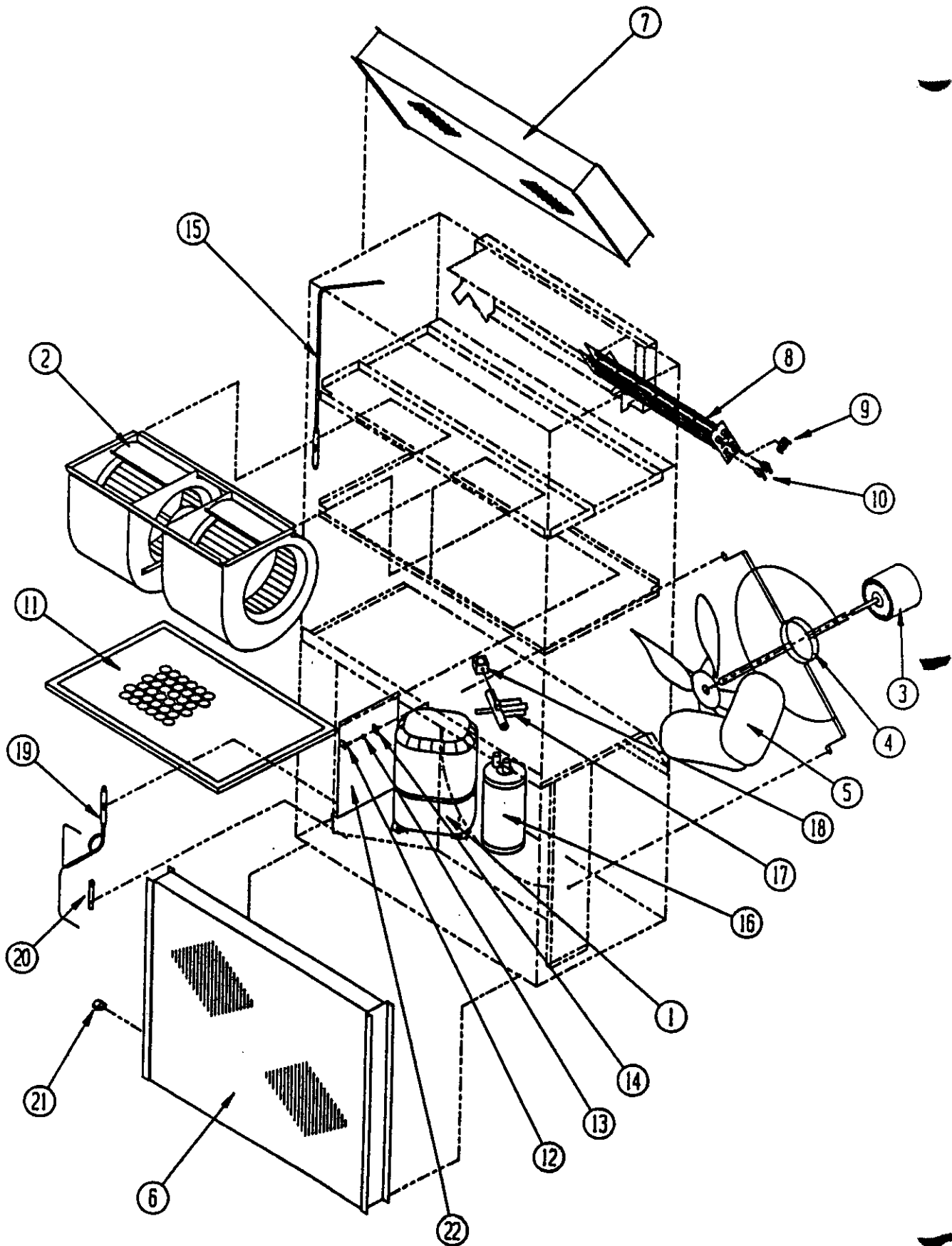
Date: 3-01-91
Supersedes: 7-11-89

CABINET COMPONENTS

Item	Part No.	Description	U S A G E
1	127-005	Lower Base	X
2	124-003	Fan Shroud	X
3	520-133	Condenser Partition	X
4	Control Pnl. Assy.	See Control Panel Assembly Drawing and Parts List	X
5	130-075	Filter Tray	X
6	521-006	Water Pan/Blower Partition	X
7	501-168	Right Side	X
8	501-169	Left Side	X
9	506-097	Top	X
10	111-019	Outlet Airframe Assembly	X
11	508-059	Upper Back	X
12	111-020	Inlet Air Frame Assembly	X
13	108-060	Lower Back	X
14	119-005	Coil Grille	X
15	552-108	Service Door	X
16	514-047	Upper Front	X
17	962002	Fresh Air Damper	X
18	119-006	Left Side Grille	X
19	119-008	Right Side Grille	X
20	Control Cover	See Control Panel Assembly Drawing and Parts List	X
22	542X005	Right Side Cover Plate	X
23	140-010	Support--Right Coil	X
24	140-011	Support--Left Coil	X
25	134-011	Top Evaporator Fill	X
26	136-003	Bottom Evaporator Fill	X
27	112-009	Side Mounting Bracket	X
28	112-006	Bottom Mounting Bracket	X

Date: 3-01-91
Supersedes: 9-14-90

FUNCTIONAL COMPONENTS

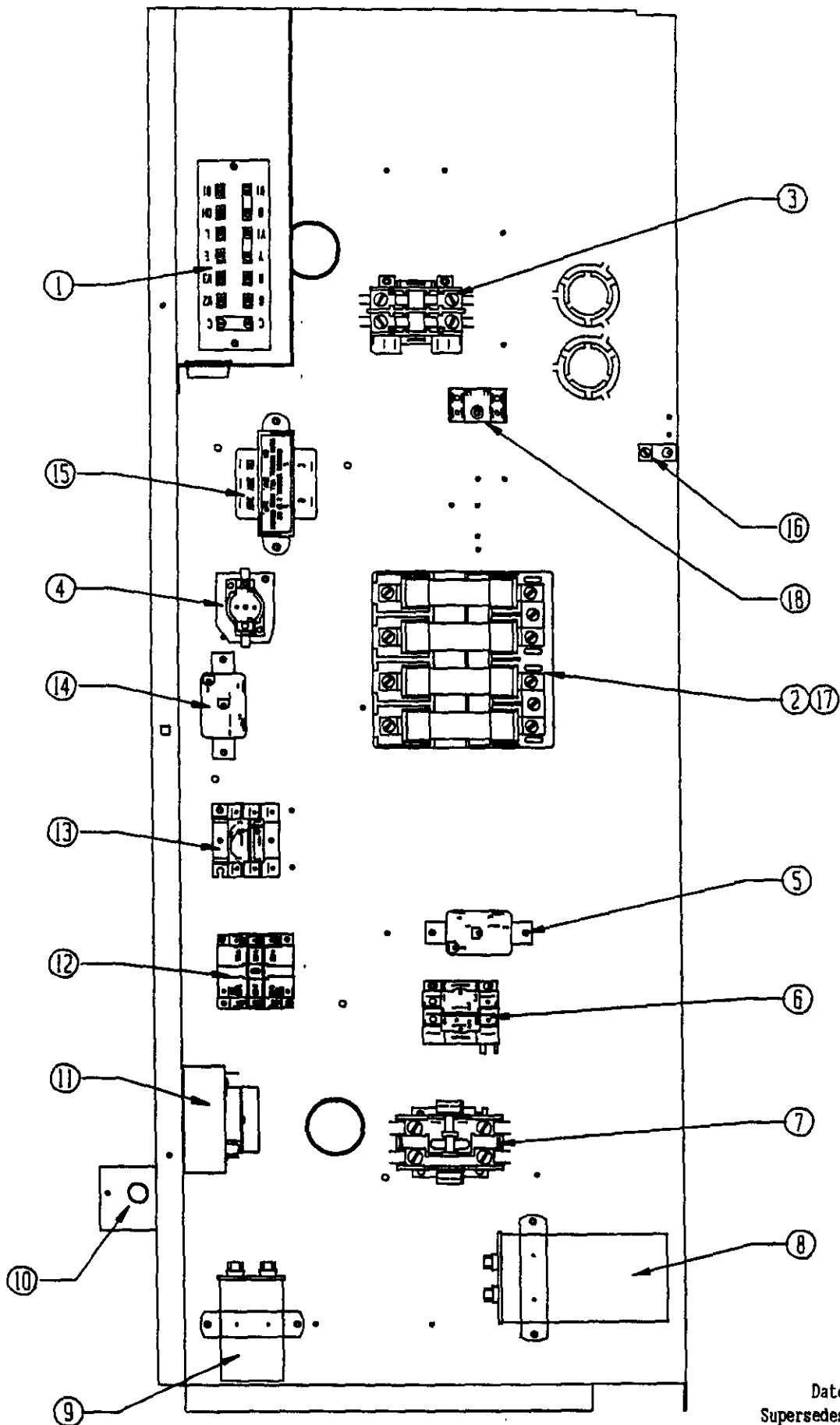


FUNCTIONAL COMPONENTS

Dwg. No.	Part No.	Description	4	4	4	4	4	4	4	4	4	4	4	4	4	4	4	4	4	4
			8	8	8	8	8	8	8	8	8	8	8	8	8	8	8	8	8	8
			W	W	W	W	W	W	W	W	W	W	W	W	W	W	W	W	W	
			H	H	H	H	H	H	H	H	H	H	H	H	H	H	H	H	H	
			6	6	6	6	6	6	6	6	6	6	6	6	6	6	6	6	6	
			A	A	A	A	B	B	B	B	C	C	C	E	E	F	F	G	G	
			O	O	O	O	O	O	O	O	O	O	O	O	O	O	O	O	O	O
			N,	N,	N,	N,	N,	N,	N,	N,	N,	N,	N,	N,	N,	N,	N,	N,	N,	N,
			C	C	C	C	C	C	C	C	C	C	C	C	C	C	C	C	C	C
1	8000-081	Compressor																	X	X
1	8000-082	Compressor AV5546B					X	X	X	X				X	X					
1	8000-083	Compressor AV5546B									X	X	X					X	X	
1	8000-107	Compressor CRL3-0350-PFV	X	X	X	X														
2	900-119	Blower Assembly (Complete)	X	X	X	X	X	X	X					X	X	X	X	X	X	X
2	900-120	Blower Assembly (Complete)									X	X	X							
3	8105-014	Condenser Motor												X	X	X	X	X	X	X
3	8105-035	Condenser Motor	X	X	X	X	X	X	X											
3	8105-030	Condenser Motor									X	X	X							
4	8200-004	Motor Mount--Condenser	X	X	X	X	X	X	X	X	X	X	X	X	X	X	X	X	X	X
5	5151-026	Fan Blade												X	X	X	X	X	X	X
5	5151-027	Fan Blade	X	X	X	X	X	X	X	X	X	X	X							
6	5051-029	Condenser Coil	X	X	X	X	X	X	X	X	X	X	X	X	X	X	X	X	X	X
7	5060-025	Evaporator Coil	X	X	X	X	X	X	X	X	X	X	X	X	X	X	X	X	X	X
8	8604-047	Heat Strip			X				X											X
8	8604-048	Heat Strip						X		2										
8	8604-052	Heat Strip											X							
8	8604-072	Heat Strip										X								
8	8604-087	Heat Strip																X		
8	8604-091	Heat Strip		X		2														
9	8402-047	Limit Control		X	X	X		X	X	X		X	X		X		X		X	X
10	8402-032	Thermal Cutoff 4K9239H		2	3	4		2	3	4										3
10	8402-057	Thermal Cutoff 4K4218AH										2	3							
11	7004-016	Air Filter 20 x 30 x 1	X	X	X	X	X	X	X	X	X	X	X	X	X	X	X	X	X	X
12	1171-019	1/4 Turn Fastener	X	X	X	X	X	X	X	X	X	X	X	X	X	X	X	X	X	X
13	1171-021	Retainer Washer	X	X	X	X	X	X	X	X	X	X	X	X	X	X	X	X	X	X
14	1171-020	Receptacle	X	X	X	X	X	X	X	X	X	X	X	X	X	X	X	X	X	X
15	800-0131	Cooling Capillary Assembly	X	X	X	X	X	X	X	X	X	X	X	X	X	X	X	X	X	X
16	5202-018	Accumulator	X	X	X	X	X	X	X	X	X	X	X	X	X	X	X	X	X	X
17	5650-006	Reversing Valve	X	X	X	X	X	X	X	X	X	X	X	X	X	X	X	X	X	X
18	5650-008	Reversing Valve Solenoid Coil	X	X	X	X	X	X	X	X	X	X	X	X	X	X	X	X	X	X
19	800-0096	Heating Capillary Assembly	X	X	X	X	X	X	X	X	X	X	X	X	X	X	X	X	X	X
20	5651-036	Check Valve	X	X	X	X	X	X	X	X	X	X	X	X	X	X	X	X	X	X
21	8408-016	Defrost Thermostat	X	X	X	X	X	X	X	X	X	X	X	X	X	X	X	X	X	X

Date: 3-01-91
Supersedes: 1-25-90

CONTROL PANEL WITHOUT CIRCUIT BREAKER



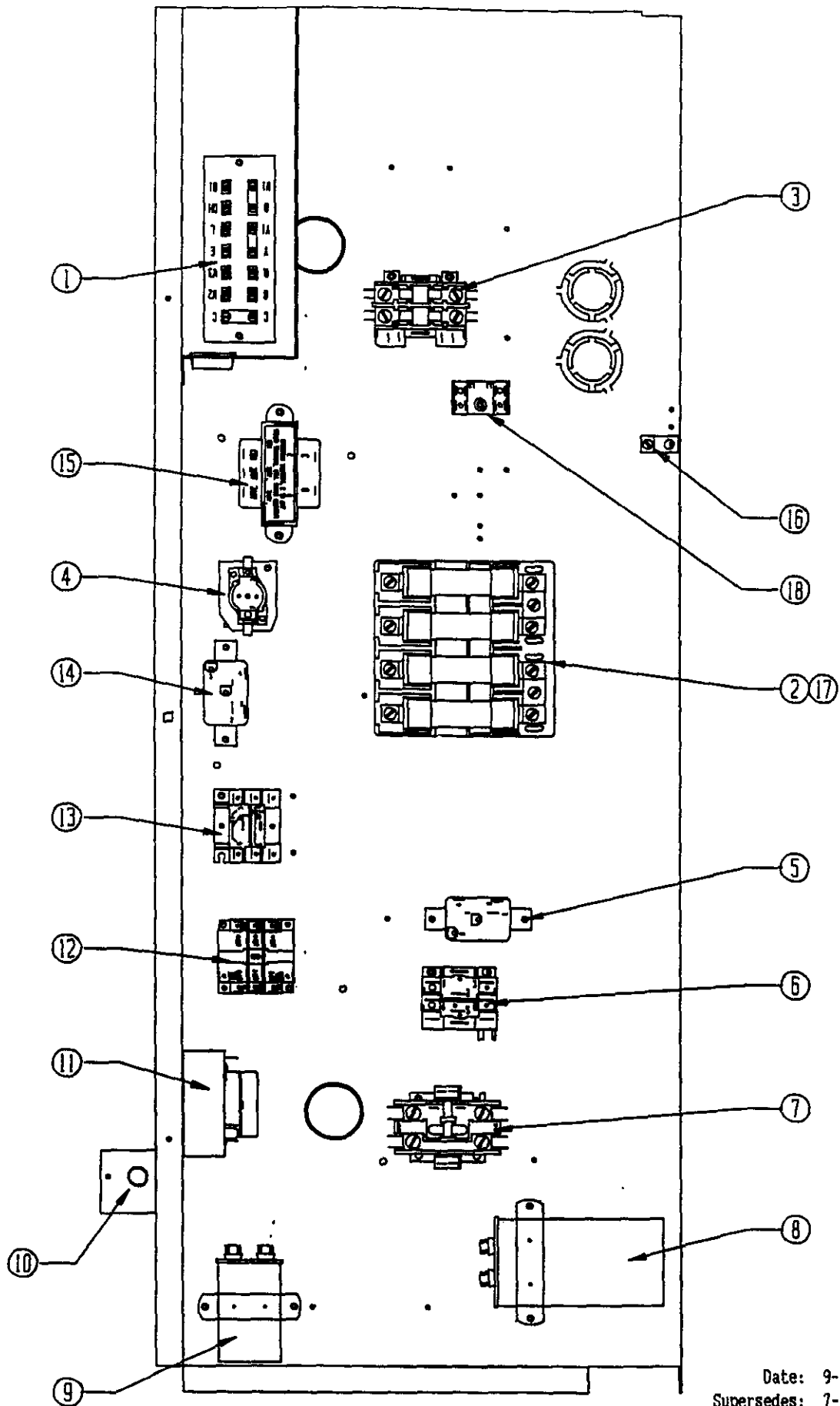
Date: 9-14-90
Supersedes: 7-11-89

CONTROL PANEL
WITHOUT CIRCUIT BREAKER

Dwg. No.	Part No.	Description	4	4	4	4	4	4	4	4	4	4	4	4	4	4	4	4	4
			8	8	8	8	8	8	8	8	8	8	8	8	8	8	8	8	8
			W	W	W	W	W	W	W	W	W	W	W	W	W	W	W	W	
			H	H	H	H	H	H	H	H	H	H	H	H	H	H	H	H	
			6	6	6	6	6	6	6	6	6	6	6	6	6	6	6	6	
			A	A	A	A	B	B	B	B	C	C	C	E	E	E	F	G	
			O	1	1	2	O	O	1	1	O	O	1	O	1	O	1	O	
			O	O	5	O	O	9	5	8	O	9	5	O	5	O	4	O	
			N	N	N	N	N	N	N	N	N	N	N	N	N	N	N	N	
1	8607-019	Low Voltage Terminal Strip	X	X	X	X	X	X	X	X	X	X	X	X	X	X	X	X	
2	8607-013	Terminal Block	X													2	2	X	
2	8607-014	Terminal Block					X				X	X	X	X					
2	8614-018	Fuse Block		X															
2	8614-014	Fuse Block			X													X	
2	8614-019	Fuse Block				X													
2	8614-021	Fuse Block						X											
2	8614-020	Fuse Block							X	X					X				
3	8401-006	Heat Contactor		X	2	2		X		2								2	
3	8401-010	Heat Contactor							X						X				
3	8401-002	Heat Contactor										X	X				2		
5	8201-008	Heating Blower Relay		X	X	X		X	X	X					X		X	X	
6	8201-032	Defrost Relay									X	X	X						
6	8201-024	Compressor Fault Relay	X	X	X	X													
7	8401-003	Compressor Contactor	X	X	X	X												X	
7	8401-002	Compressor Contactor					X	X	X	X	X	X	X	X	X	X	X	X	
8	8552-030	Compressor Capacitor 40/440	X	X	X	X												X	
9	8552-005	Condenser Mtr Capacitor 10/370	X	X	X	X	X	X	X	X				X	X	X	X	X	
9	8552-026	Condenser Mtr Capacitor 15/370									X	X	X						
10	8406-010	High Pressure Switch	X	X	X	X	X	X	X	X	X	X	X	X	X	X	X	X	
11	8612-012	Timer	X	X	X	X	X	X	X	X	X	X	X	X	X	X	X	X	
12	8201-047	Defrost Relay	X	X	X	X	X	X	X	X	X	X	X	X	X	X	X	X	
13	8201-013	Emergency Heat Relay			X	X				X							X	X	
14	8201-008	Blower Relay	X	X	X	X	X	X	X	X				X	X		X	X	
14	8201-009	Blower Relay														X			
14	8201-032	Blower Relay									X	X	X						
15	8407-035	Transformer	X	X	X	X	X	X	X	X				X	X		X	X	
15	8407-040	Transformer									X	X	X			X			
16	8611-006	Ground Terminal	X	X	2	2	X	X	X	X	X	X	X	X	X	X	X	X	
17	8607-015	Phenolic Insulator									X	X	X						
18	8607-017	Terminal Block									X	X	X						

Date: 3-01-91
Supersedes: 9-14-90

CONTROL PANEL WITHOUT CIRCUIT BREAKER



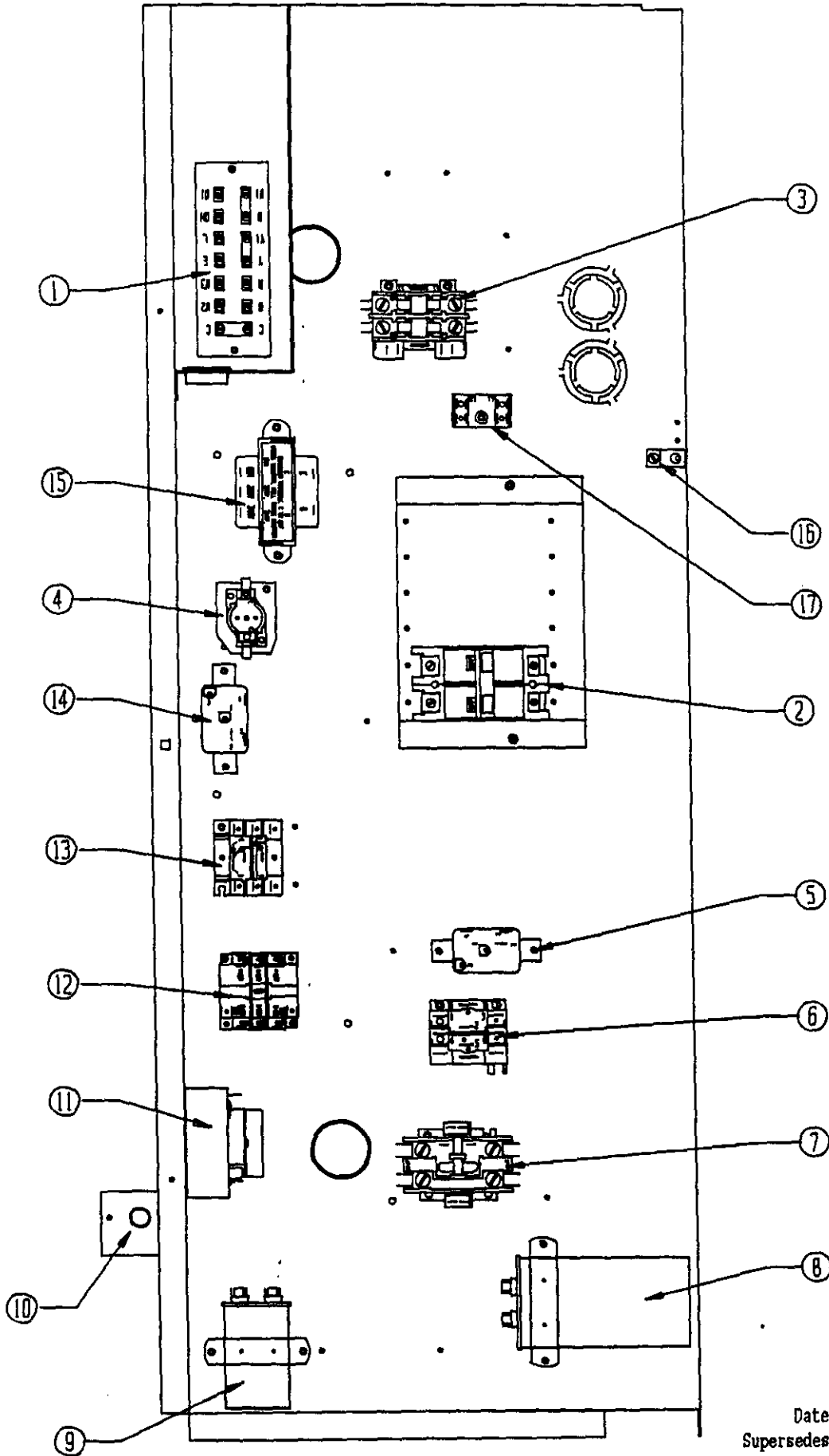
Date: 9-14-90
Supersedes: 7-11-89

CONTROL PANEL
WITHOUT CIRCUIT BREAKER

Dwg. No.	Part No.	Description	4	4	4	4	4	4	4	4	4	4	4	4	4	4	4	4	4
			8	8	8	8	8	8	8	8	8	8	8	8	8	8	8	8	8
			W	W	W	W	W	W	W	W	W	W	W	W	W	W	W	W	
			H	H	H	H	H	H	H	H	H	H	H	H	H	H	H	H	
			6	6	6	6	6	6	6	6	6	6	6	6	6	6	6	6	
			A	A	A	A	B	B	B	B	C	C	C	E	E	F	F	G	
			O	1	1	2	O	O	1	1	O	O	O	O	1	O	O	O	
			O	O	5	O	O	9	5	8	O	O	O	O	5	O	4	O	
			N	N	N	N	N	N	N	N	N	N	N	N	N	N	N	N	
	4089-110	Wiring Diagram	X																
	4089-130	Wiring Diagram		X															
	4089-144	Wiring Diagram			X														
	4089-150	Wiring Diagram				X													
	4089-210	Wiring Diagram					X												
	4089-220	Wiring Diagram						X											
	4089-230	Wiring Diagram							X										
	4089-240	Wiring Diagram								X									
	4089-310	Wiring Diagram									X								
	4089-320	Wiring Diagram										X							
	4089-330	Wiring Diagram											X						
	4089-410	Wiring Diagram															X		
	4089-440	Wiring Diagram																X	
	4089-510	Wiring Diagram											X						
	4089-530	Wiring Diagram												X					
	4089-610	Wiring Diagram													X				
	4089-630	Wiring Diagram														X			
	132-095	Control Panel Cover	X				X				X	X	X	X	X	X	X	X	
	133-053	Control Panel Cover		X	X	X		X	X	X								X	

Date: 1-25-90
Supersedes: 7-11-89

CONTROL PANEL WITH CIRCUIT BREAKER



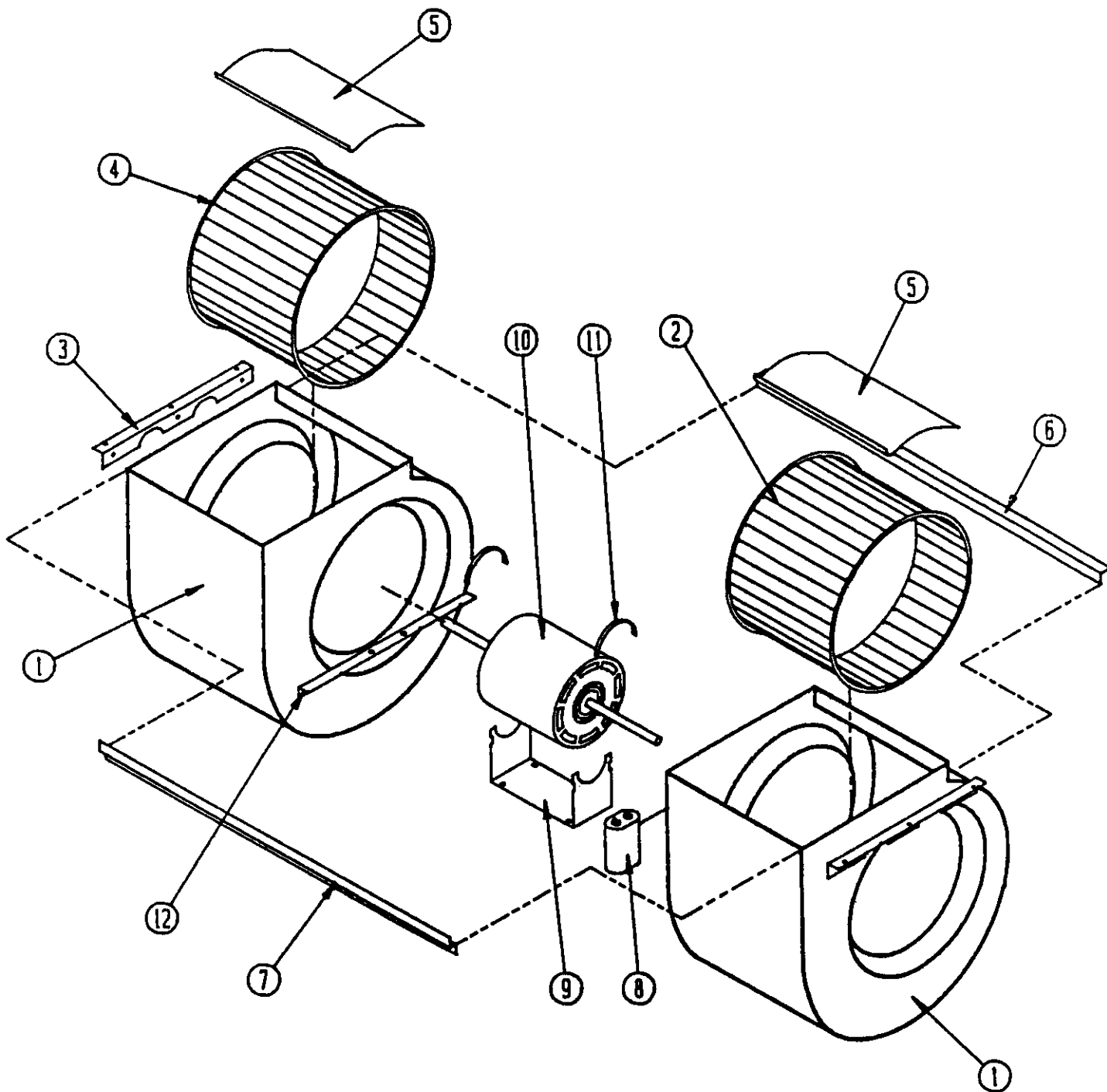
Date: 9-14-90
Supersedes: 7-11-89

CONTROL PANEL
WITH CIRCUIT BREAKER

Dwg. No.	Part No.	Description	4	4	4	4	4	4	4	4	4	4	4
			8	8	8	8	8	8	8	8	8	8	8
			W	W	W	W	W	W	W	W	W	W	
			H	H	H	H	H	H	H	H	H	H	
			6	6	6	6	6	6	6	6	6	6	
			A	A	A	A	B	B	B	B	C	C	
			0	1	1	2	0	0	1	1	0	0	
			0	0	5	0	0	9	5	8	0	9	
			C	C	C	C	C	C	C	C	C	C	
1	8607-019	Low Voltage Terminal Strip	X	X	X	X	X	X	X	X	X	X	
2	8615-016	Circuit Breaker (60A)	X	2	2	3							
2	8615-013	Circuit Breaker (30A)			X								
2	8615-021	Circuit Breaker (45A)					X		X	X			
2	8615-011	Circuit Breaker (60A)						X		X			
2	8615-007	Circuit Breaker (50A)							X				
2	8615-034	Circuit Breaker (40A)										X	
2	8615-030	Circuit Breaker (20A)								X			
2	8615-032	Circuit Breaker (30A)									X		
3	8401-006	Heat Contactor		X	2	2		X		2			
3	8401-010	Heat Contactor							X				
3	8401-002	Heat Contactor									X	X	
5	8201-008	Heating Blower Relay		X	X	X		X	X	X			
6	8201-032	Defrost Relay									X	X	
6	8201-024	Compressor Fault Relay	X	X	X	X					X	X	
7	8401-003	Compressor Contactor	X	X	X	X							
7	8401-002	Compressor Contactor					X	X	X	X	X	X	
8	8552-030	Compressor Capacitor 40/440	X	X	X	X							
9	8552-005	Condenser Motor Capacitor 10/370	X	X	X	X	X	X	X	X			
9	8552-026	Condenser Motor Capacitor 15/370									X	X	
10	8406-010	High Pressure Switch	X	X	X	X	X	X	X	X	X	X	
11	8612-012	Timer	X	X	X	X	X	X	X	X	X	X	
12	8201-047	Defrost Relay	X	X	X	X	X	X	X	X	X	X	
13	8201-013	Emergency Heat Relay			X	X				X			
14	8201-008	Blower Relay	X	X	X	X	X	X	X	X			
14	8201-032	Blower Relay									X	X	
15	8407-035	Transformer	X	X	X	X	X	X	X	X			
15	8407-040	Transformer									X	X	
16	8611-006	Ground Terminal	X	2	3	3	X	X	2	2	X	X	
17	8607-017	Terminal Block									X	X	
	4089-111	Wiring Diagram	X										
	4089-131	Wiring Diagram		X									
	4089-145	Wiring Diagram			X								
	4089-151	Wiring Diagram				X							
	4089-211	Wiring Diagram					X						
	4089-221	Wiring Diagram						X					
	4089-231	Wiring Diagram							X				
	4089-241	Wiring Diagram								X			
	4089-311	Wiring Diagram									X		
	4089-321	Wiring Diagram										X	
	4089-331	Wiring Diagram										X	
	132-089	Control Panel Cover									X	X	
	132-095	Control Panel Cover	X	X	X	X	X	X	X	X			

Date: 3-01-91
Supersedes: 9-14-90

BLOWER ASSEMBLY



BLOWER ASSEMBLY

Dwg. No.	Part No.	Description	9 0 0 1 1 9	9 0 0 1 2 0	9 0 0 1 2 1
1	151-068	Blower Housing	2	2	2
2	5152-011	Blower Wheel 10-8, CW	x	x	
2	5152-057	Blower Wheel 9-8, CW			x
3	104-791	Blower Angle	2	2	2
4	5152-012	Blower Wheel 10-8, CCW	x	x	
4	5152-058	Blower Wheel 9-8, CCW			x
5	144-126	Diffuser	2	2	2
6	104-802	Back Brace	x	x	x
7	102-389	Front Offset	x	x	x
8	8552-005	Capacitor 10/370	x	x	x
9	128-002	Motor Mount--Cradle	x	x	x
10	8106-023	Motor	x		x
10	8106-025	Motor		x	
11	8200-018	Motor Mount Latch	2	2	2
12	104-788	Motor Support Angle	2	2	2

Date: 9-14-90
Supersedes: 7-11-89

