

# REPLACEMENT PARTS MANUAL

## WALL MOUNTED PACKAGE HEAT PUMP MODELS 60WH1

Manual 2110-507

Revision A

Date 1-25-90

Supersedes 7-11-89

\*\*\*\*\*  
\* GENERAL NOTES \*  
\*\*\*\*\*

\*Revised and/or additional pages may be issued from time to time.  
\*A complete and current manual consists of pages dated as shown in the following index.

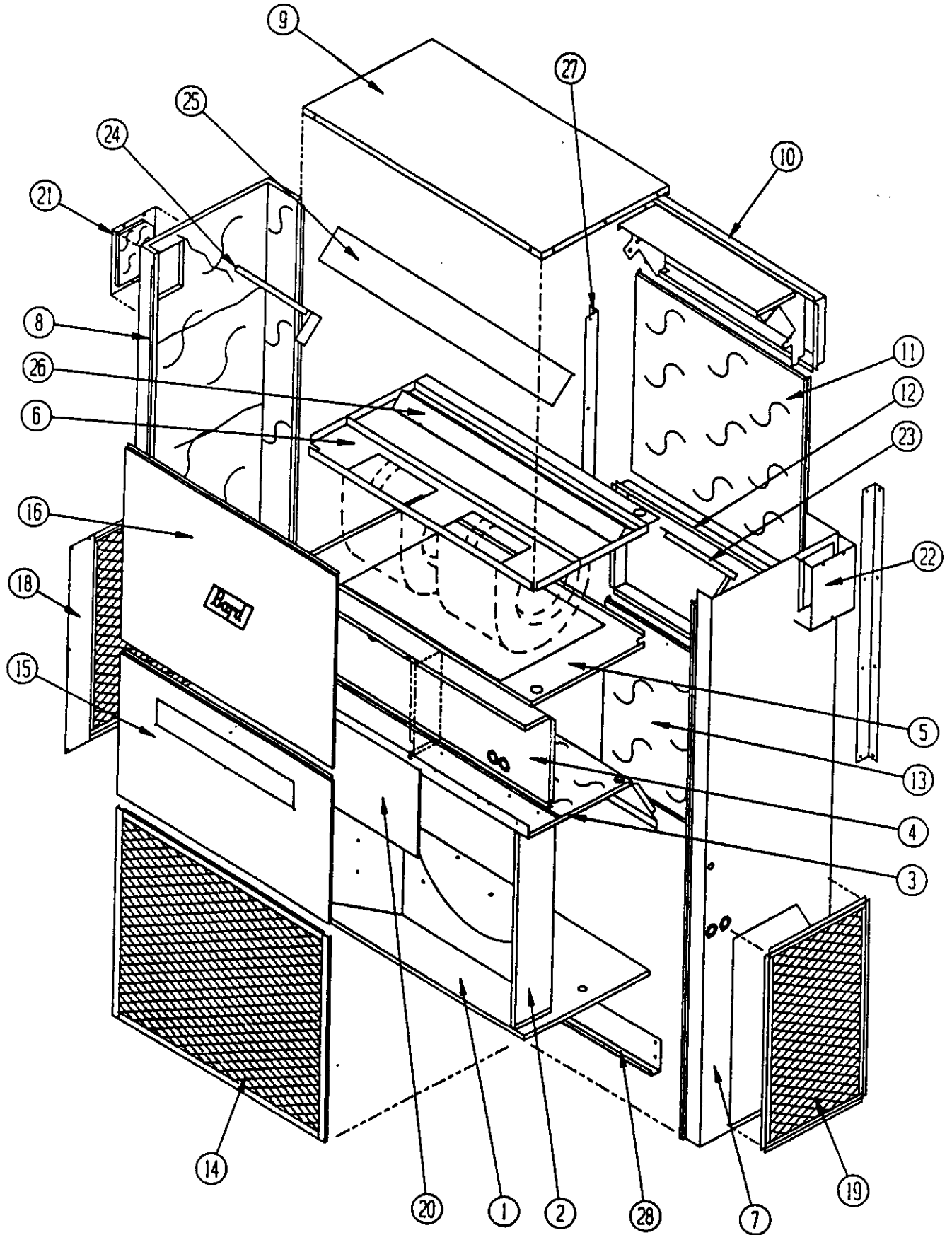
\*\*\*\*\*  
\*\* INDEX \*\*  
\*\*\*\*\*

<u>Page Description</u>	<u>Page</u>	<u>Date</u>	<u>Supersedes</u>
Cabinet Components--Exploded View	1	7-11-89	
" " --Usage List	2	1-25-90	7-11-89
Functional Components--Exploded View	3	7-11-89	
" " --Usage List	4	7-11-89	
Control Panel W/O Circuit Breaker--Layout	5	7-11-89	
" " " " --Usage List	6	1-25-90	7-11-89
Control Panel W/Circuit Breaker--Layout	7	7-11-89	
" " " " --Usage List	8	1-25-90	7-11-89
Blower Assembly--Exploded View	9	7-11-89	
" " --Usage List	10	7-11-89	

\*\*\*\*\*  
\*\*\* IMPORTANT \*\*\*  
\*\*\*\*\*

Contact the installing and/or local Bard distributor for all parts requirements. Make sure you have the complete model and serial number available from the unit rating plate.

CABINET COMPONENTS



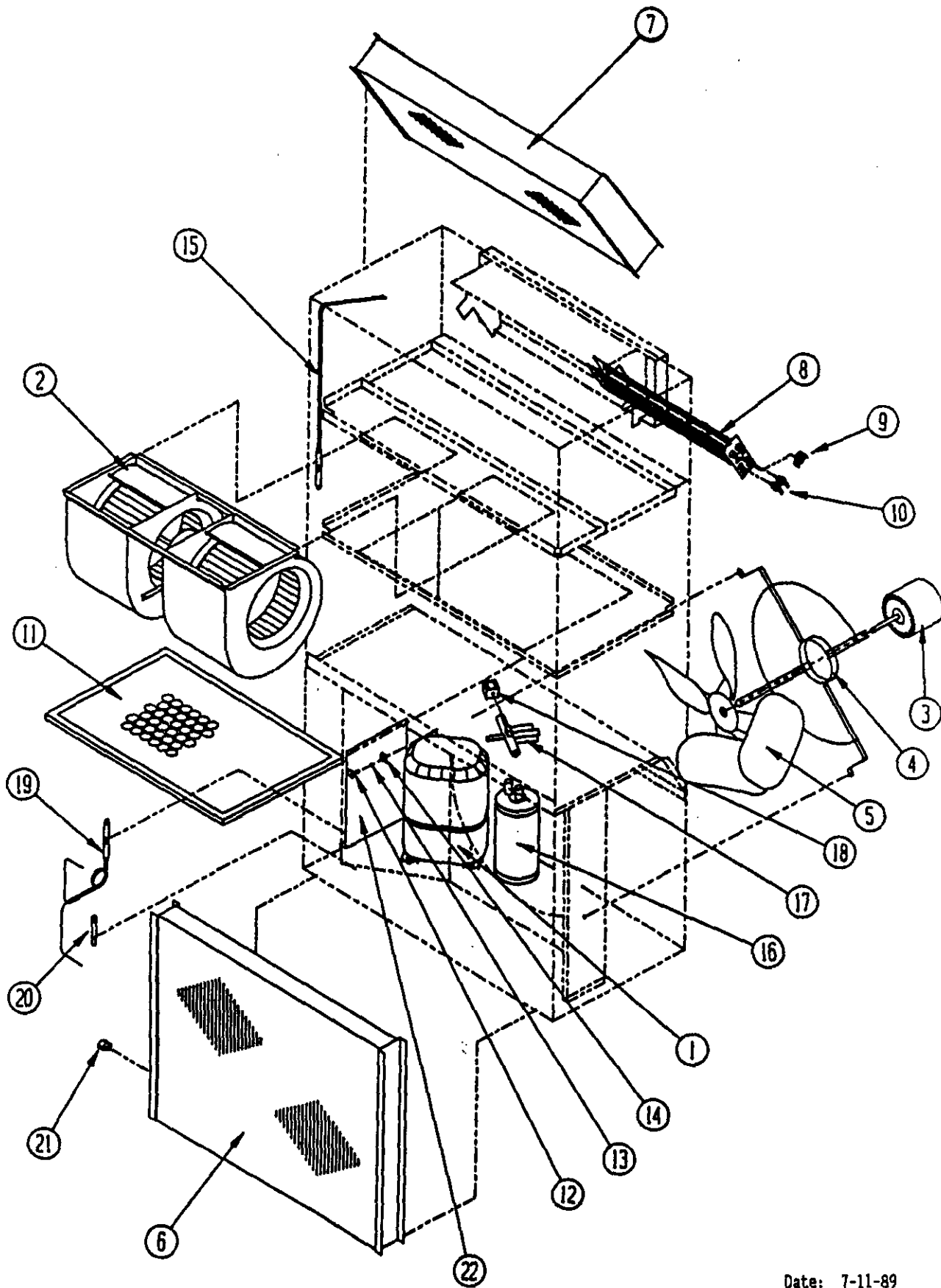
Date: 7-11-89  
Supersedes:

CABINET COMPONENTS

Item	Part No.	Description	U S A G E
1	127-005	Lower Base	X
2	124-003	Fan Shroud	X
3	520-133	Condenser Partition	X
4	Control Pnl. Assy.	See Control Panel Assembly Drawing and Parts List	X
5	131-004	Filter Tray	X
6	521-006	Water Pan/Blower Partition	X
7	501-168	Right Side	X
8	501-169	Left Side	X
9	506-097	Top	X
10	111-019	Outlet Airframe Assembly	X
11	508-059	Upper Back	X
12	111-020	Inlet Air Frame Assembly	X
13	508-060	Lower Back	X
14	119-005	Coil Grille	X
15	552-108	Service Door	X
16	514-047	Upper Front	X
17	962002	Fresh Air Damper	X
18	119-006	Left Side Grille	X
19	119-008	Right Side Grille	X
20	Control Cover	See Control Panel Assembly Drawing and Parts List	X
21	542Y005	Left Side Cover Plate	X
22	542X005	Right Side Cover Plate	X
23	140-010	Support--Right Coil	X
24	140-011	Support--Left Coil	X
25	134-011	Top Evaporator Fill	X
26	136-003	Bottom Evaporator Fill	X
27	112-009	Side Mounting Bracket	X
28	112-006	Bottom Mounting Bracker	X

Date: 1-25-90  
Supersedes: 7-11-89

FUNCTIONAL COMPONENTS



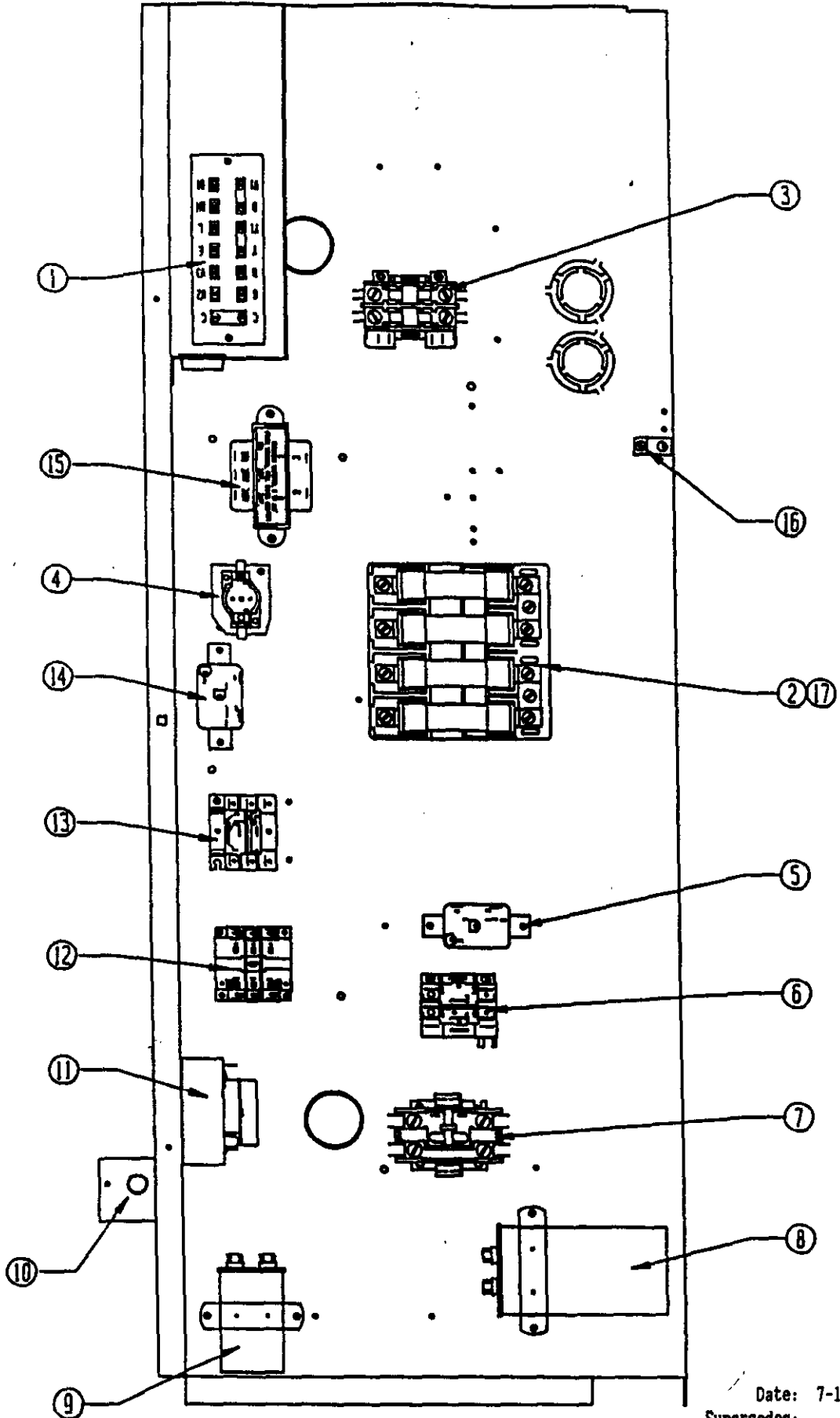
Date: 7-11-89  
Supersedes:

FUNCTIONAL COMPONENTS

Dwg. No.	Part No.	Description	6 O W H 1   A O O N, C	6 O W H 1   A O O N, C	6 O W H 1   A O O N, C	6 O W H 1   A 2 O O N, C	6 O W H 1   B O O N, C	6 O W H 1   B O O N, C	6 O W H 1   B O O N, C	6 O W H 1   B O O N, C	6 O W H 1   C O O N, C	6 O W H 1   C O O N, C	6 O W H 1   C O O N, C
1	8000-108	Compressor CRP5-0450-PFV	X	X	X	X							
1	8000-075	Compressor AG5561H					X	X	X	X			
1	8000-049	Compressor AG5561F									X	X	X
2	900-119	Blower Assembly (Complete)	X	X	X	X	X	X	X	X			
2	900-120	Blower Assembly (Complete)									X	X	X
3	8105-035	Condenser Motor	X	X	X	X	X	X	X	X			
3	8105-030	Condenser Motor									X	X	X
4	8200-004	Motor Mount--Condenser	X	X	X	X	X	X	X	X	X	X	X
5	5151-027	Fan Blade	X	X	X	X	X	X	X	X	X	X	X
6	5051-057	Condenser Coil	X	X	X	X	X	X	X	X	X	X	X
7	5060-056	Evaporator Coil	X	X	X	X	X	X	X	X	X	X	X
8	8604-091	Heat Strip		X		2							
8	8604-047	Heat Strip			X			X					
8	8604-048	Heat Strip					X		2				
8	8604-072	Heat Strip										X	
8	8604-052	Heat Strip											X
9	8402-047	Limit Control		X	X	X		X	X	X		X	X
10	8402-032	Thermal Cutoff		2	3	4		2	3	4			
10	8402-057	Thermal Cutoff										2	3
11	7004-016	Air Filter 20 x 30 x 1	X	X	X	X	X	X	X	X	X	X	X
12	1171-019	1/4 Turn Fastener	X	X	X	X	X	X	X	X	X	X	X
13	1171-021	Retainer Washer	X	X	X	X	X	X	X	X	X	X	X
14	1171-020	Receptacle	X	X	X	X	X	X	X	X	X	X	X
15	800-0149	Cooling Capillary Assembly	X	X	X	X	X	X	X	X	X	X	X
16	5202-019	Accumulator	X	X	X	X	X	X	X	X	X	X	X
17	5650-010	Reversing Valve	X	X	X	X	X	X	X	X	X	X	X
18	5650-008	Reversing Valve Solenoid Coil	X	X	X	X	X	X	X	X	X	X	X
19	800-0148	Heating Capillary Assembly	X	X	X	X	X	X	X	X	X	X	X
20	5651-036	Check Valve	X	X	X	X	X	X	X	X	X	X	X
21	8408-012	Defrost Thermostat	X	X	X	X	X	X	X	X	X	X	X
22	134-068	Wire Shield	X	X	X	X							

Date: 7-11-89  
Supersedes:

CONTROL PANEL WITHOUT CIRCUIT BREAKER



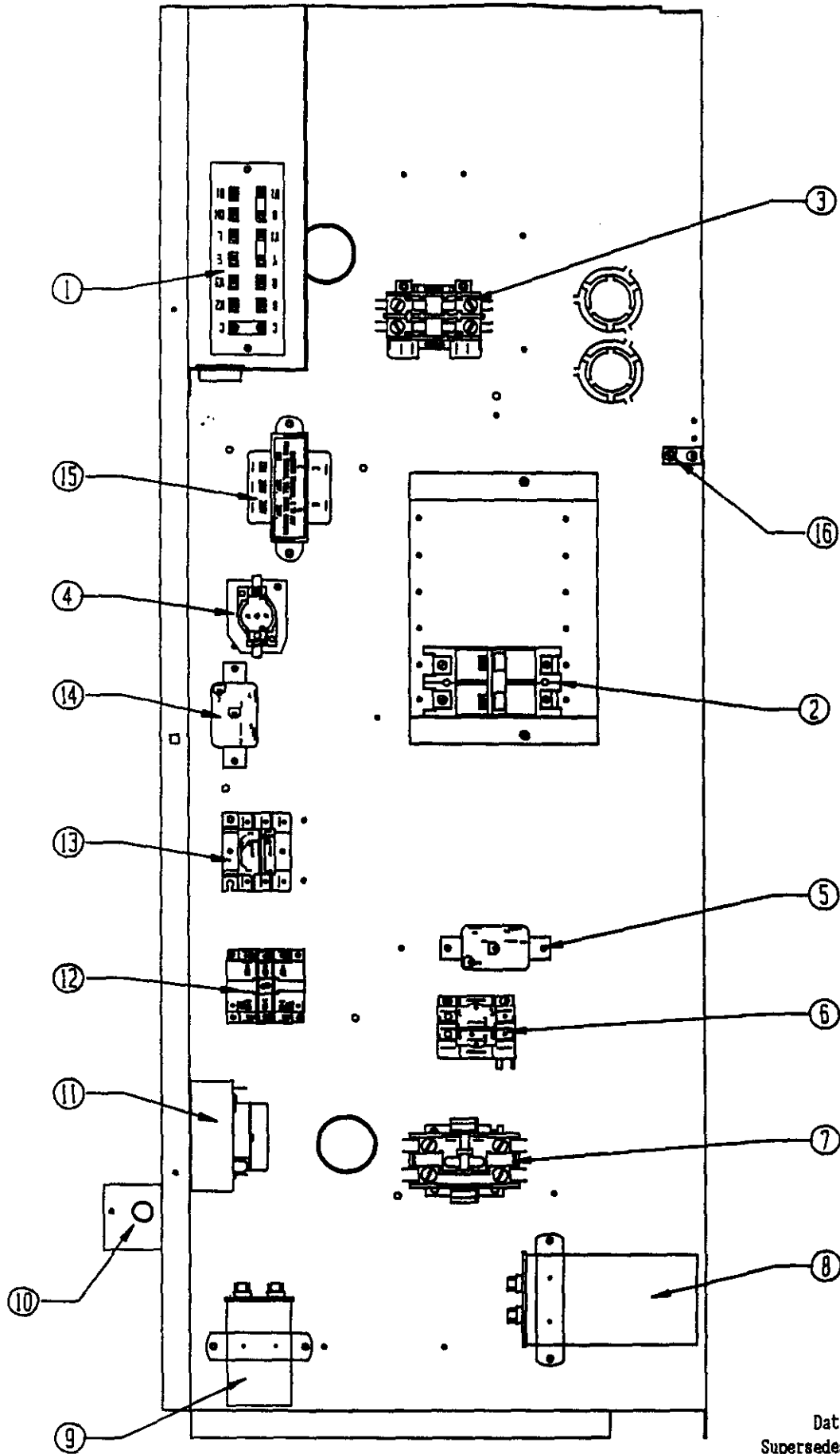
Date: 7-11-89  
Supersedes:

CONTROL PANEL  
WITHOUT CIRCUIT BREAKER

Dwg. No.	Part No.	Description	6 O W H 1   A O O N	6 O W H 1   A O O N	6 O W H 1   A 1 5 N	6 O W H 1   A 2 O N	6 O W H 1   B O O N	6 O W H 1   B O 9 N	6 O W H 1   B 1 5 N	6 O W H 1   B 1 8 N	6 O W H 1   C O O N	6 O W H 1   C O 9 N	6 O W H 1   C 1 5 N
1	8607-019	Low Voltage Terminal Strip	X	X	X	X	X	X	X	X	X	X	X
2	8607-013	Terminal Block	X										
2	8614-018	Fuse Block		X									
2	8614-014	Fuse Block			X								
2	8614-019	Fuse Block				X							
2	8607-014	Terminal Block					X				X	X	X
2	8614-021	Fuse Block						X					
2	8614-020	Fuse Block							X	X			
3	8401-006	Heat Contactor		X	2	2		X		2			
3	8401-010	Heat Contactor							X				
3	8401-002	Heat Contactor										X	X
4	8201-045	Time Delay Relay	X	X	X	X							
5	8201-008	Heating Blower Relay		X	X	X		X	X	X			
6	8201-032	Defrost Relay									X	X	X
6	8201-024	Compressor Fault Relay	X	X	X	X							
7	8401-011	Compressor Contactor					X	X	X	X			
7	8401-016	Compressor Contactor	X	X	X	X							
7	8401-002	Compressor Contactor									X	X	X
8	8552-031	Compressor Capacitor 45/440	X	X	X	X							
9	8552-005	Condenser Motor Capacitor 10/370	X	X	X	X	X	X	X	X			
9	8552-026	Condenser Motor Capacitor 15/370									X	X	X
10	8406-010	High Pressure Switch	X	X	X	X	X	X	X	X	X	X	X
11	8612-012	Timer	X	X	X	X	X	X	X	X	X	X	X
12	8201-047	Defrost Relay	X	X	X	X	X	X	X	X	X	X	X
13	8201-013	Emergency Heat Relay		X	X				X				
14	8201-008	Blower Relay	X	X	X	X	X	X	X	X			
14	8201-032	Blower Relay									X	X	X
15	8407-035	Transformer	X	X	X	X	X	X	X	X			
15	8407-037	Transformer									X	X	X
16	8611-006	Ground Terminal	1	1	2	2	1	1	1	1	1	1	1
17	8607-015	Phenolic Insulator									X	X	X
	4089-112	Wiring Diagram	X										
	4089-132	Wiring Diagram		X									
	4089-142	Wiring Diagram			X								
	4089-152	Wiring Diagram				X							
	4089-210	Wiring Diagram					X						
	4089-220	Wiring Diagram						X					
	4089-230	Wiring Diagram							X				
	4089-240	Wiring Diagram								X			
	4089-310	Wiring Diagram									X		
	4089-320	Wiring Diagram										X	
	4089-330	Wiring Diagram											X
	132-095	Control Panel Cover	X				X				X	X	X
	133-053	Control Panel Cover		X	X	X		X	X	X			

Date: 1-25-90  
Supersedes: 7-11-89

CONTROL PANEL WITH CIRCUIT BREAKER



Date: 7-11-89  
Supersedes:

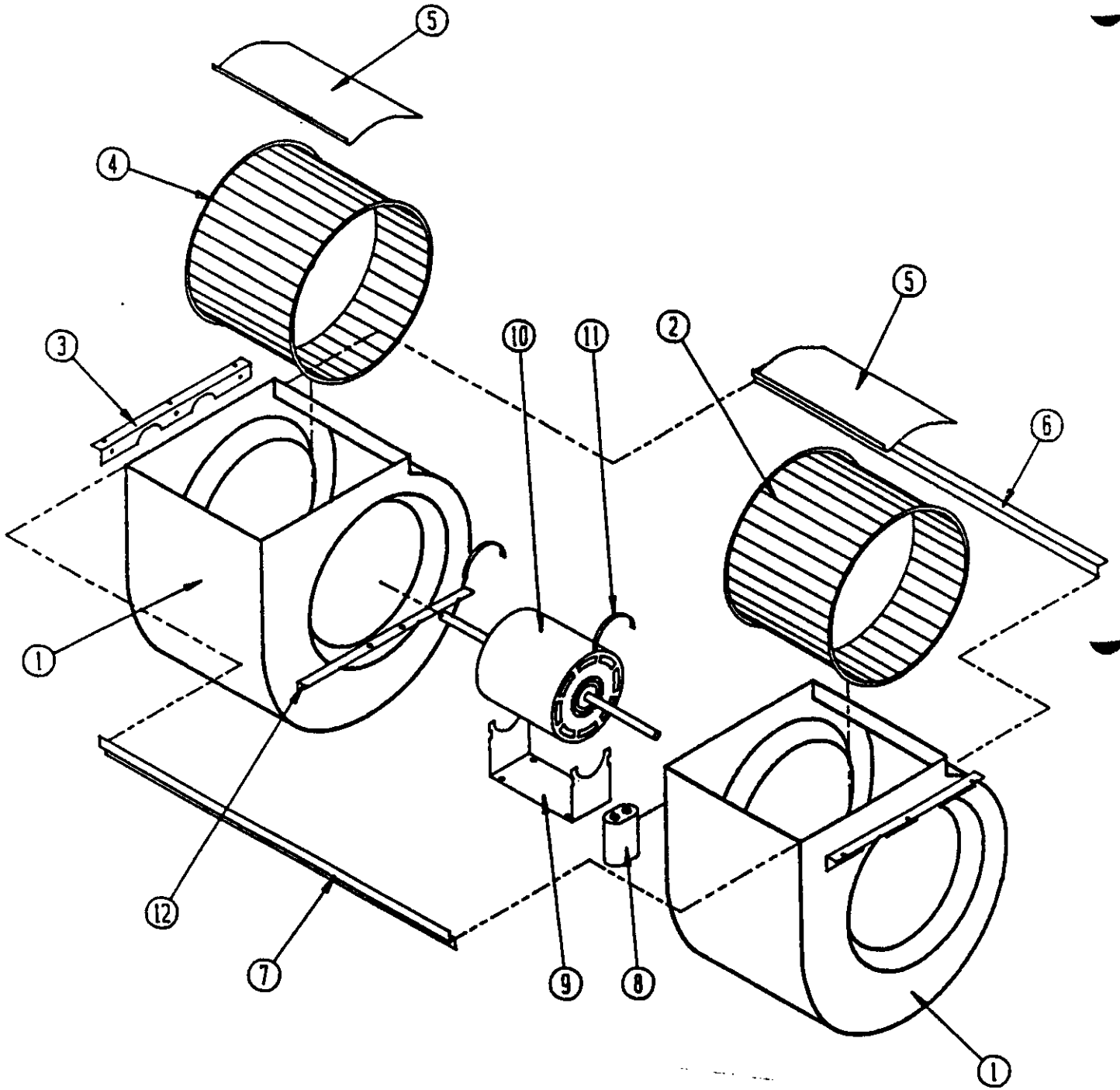


CONTROL PANEL  
WITH CIRCUIT BREAKER

Dwg. No.	Part No.	Description	6000	6001	6005	6002	6009	6005	6008	6000	6009	6005
1	8607-019	Low Voltage Terminal Strip	x	x	x	x	x	x	x	x	x	x
2	8615-016	Circuit Breaker (60A)	x	2	2	3						
2	8615-013	Circuit Breaker (30A)			x							
2	8615-007	Circuit Breaker (50A)					x		2	x		
2	8615-011	Circuit Breaker (60A)						x		x		
2	8615-025	Circuit Breaker (25A)									x	
2	8615-027	Circuit Breaker (35A)										x
2	8615-028	Circuit Breaker (40A)										x
3	8401-006	Heat Contactor		x	2	2		x		2		
3	8401-010	Heat Contactor							x			
3	8401-002	Heat Contactor									x	x
4	8201-045	Time Delay Relay	x	x	x	x						
5	8201-008	Heating Blower Relay		x	x	x		x	x	x		
6	8201-032	Defrost Relay									x	x
6	8201-024	Compressor Fault Relay	x	x	x	x						
7	8401-011	Compressor Contactor					x	x	x	x		
7	8401-016	Compressor Contactor	x	x	x	x						
7	8401-002	Compressor Contactor									x	x
8	8552-031	Compressor Capacitor 45/440	x	x	x	x						
9	8552-005	Condenser Motor Capacitor 10/370	x	x	x	x	x	x	x	x		
9	8552-026	Condenser Motor Capacitor 15/370									x	x
10	8406-010	High Pressure Switch	x	x	x	x	x	x	x	x	x	x
11	8612-012	Timer	x	x	x	x	x	x	x	x	x	x
12	8201-047	Defrost Relay	x	x	x	x	x	x	x	x	x	x
13	8201-013	Emergency Heat Relay			x	x				x		
14	8201-008	Blower Relay	x	x	x	x	x	x	x			
14	8201-032	Blower Relay									x	x
15	8407-035	Transformer	x	x	x	x	x	x	x			
15	8407-037	Transformer									x	x
16	8611-006	Ground Terminal	1	2	3	3	1	1	2	2	1	1
	4089-113	Wiring Diagram	x									
	4089-133	Wiring Diagram		x								
	4089-143	Wiring Diagram			x							
	4089-153	Wiring Diagram				x						
	4089-211	Wiring Diagram					x					
	4089-221	Wiring Diagram						x				
	4089-231	Wiring Diagram							x			
	4089-241	Wiring Diagram								x		
	4089-311	Wiring Diagram									x	
	4089-321	Wiring Diagram										x
	4089-331	Wiring Diagram										x
	132-089	Control Panel Cover									x	x
	132-095	Control Panel Cover	x	x	x	x	x	x	x	x		

Date: 1-25-90  
Supersedes: 7-11-89

BLOWER ASSEMBLY



Date: 7-11-89  
Supersedes:

BLOWER ASSEMBLY

Dwg. No.	Part No.	Description	9 0 0 0 1 1 1 9	9 0 0 0 1 1 2 0	9 0 0 0 1 1 2 1
1	151-068	Blower Housing	2	2	2
2	5152-011	Blower Wheel 10-8, CW	x	x	
2	5152-057	Blower Wheel 9-8, CW			x
3	104-791	Blower Angle	2	2	2
4	5152-012	Blower Wheel 10-8, CCW	x	x	
4	5152-058	Blower Wheel 9-8, CCW			x
5	144-126	Diffuser	2	2	2
6	104-802	Back Brace	x	x	x
7	102-389	Front Offset	x	x	x
8	8552-005	Capacitor 10/370	x	x	x
9	128-002	Motor Mount--Cradle	x	x	x
10	8106-023	Motor	x		x
10	8106-024	Motor		x	
11	8200-018	Motor Mount Latch	2	2	2
12	104-788	Motor Support Angle	2	2	2

Date: 7-11-89  
Supersedes:

